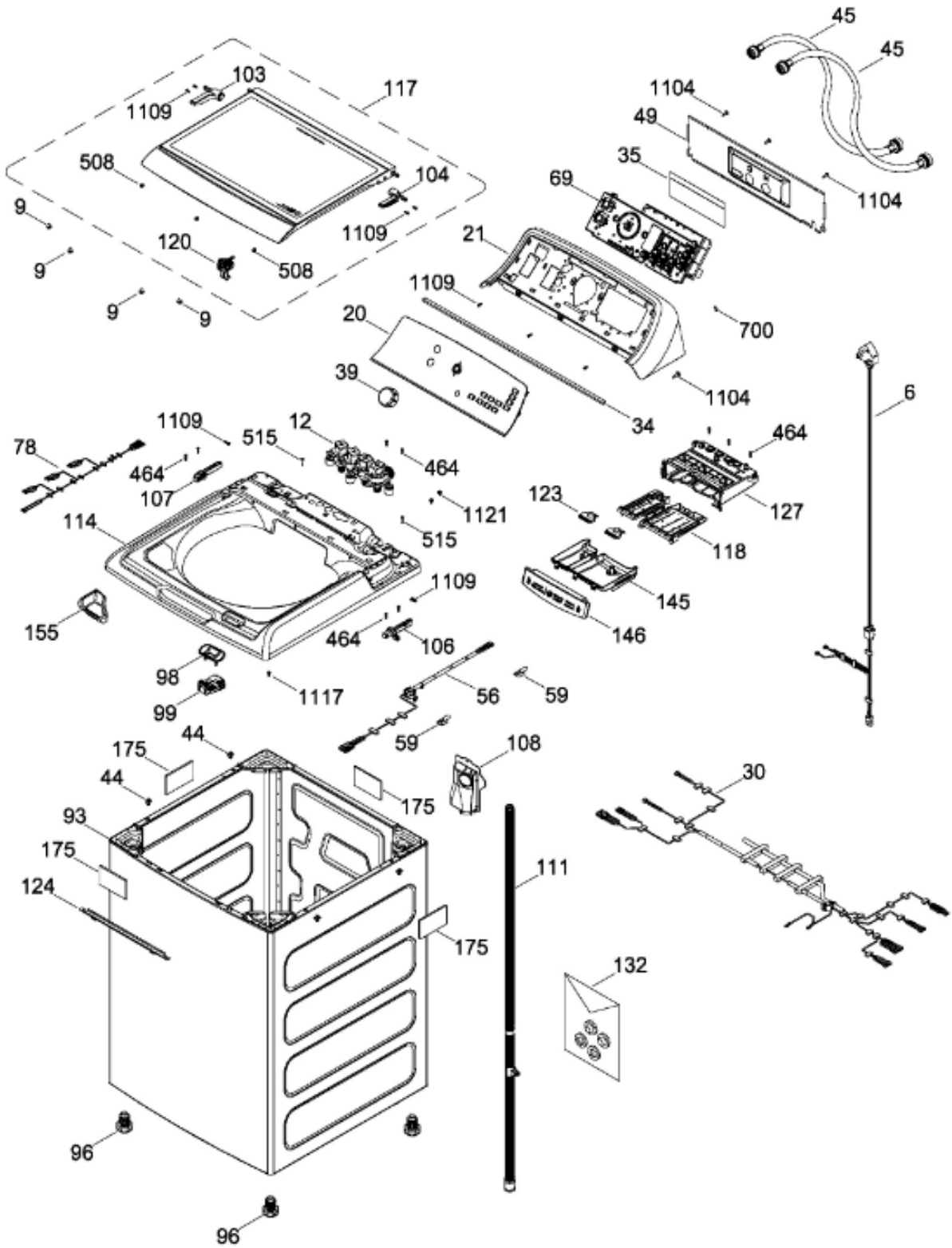


LAVADORA LMH70201WBCU00

COPETE / BACKSPLASH
 GABINETE Y CUBIERTA / CABINET & COVER

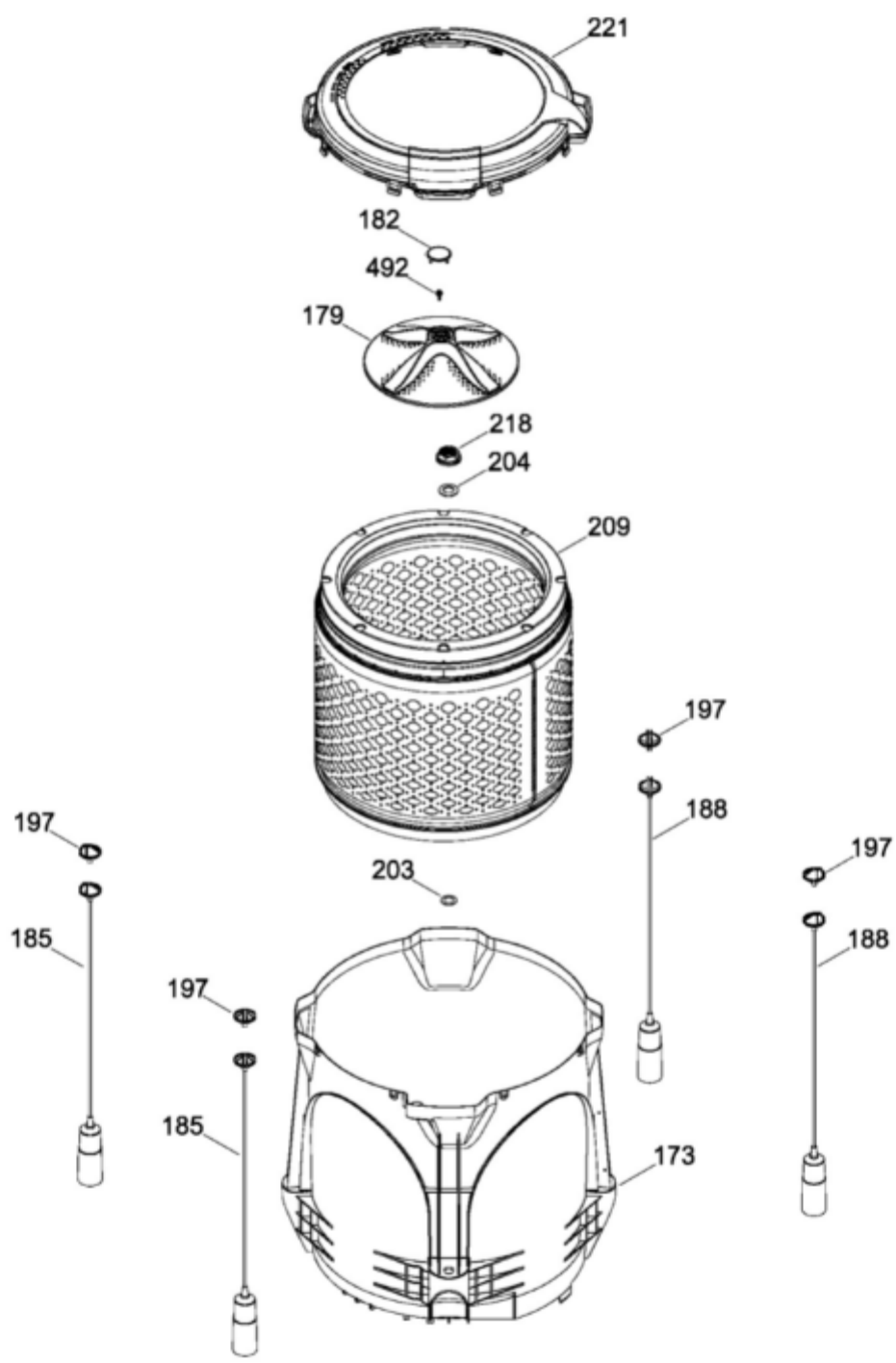
LMH70201WBCU00



LAVADORA LMH70201WBCU00

PARTES PARA TINA / TUB, BASKET & AGITATOR

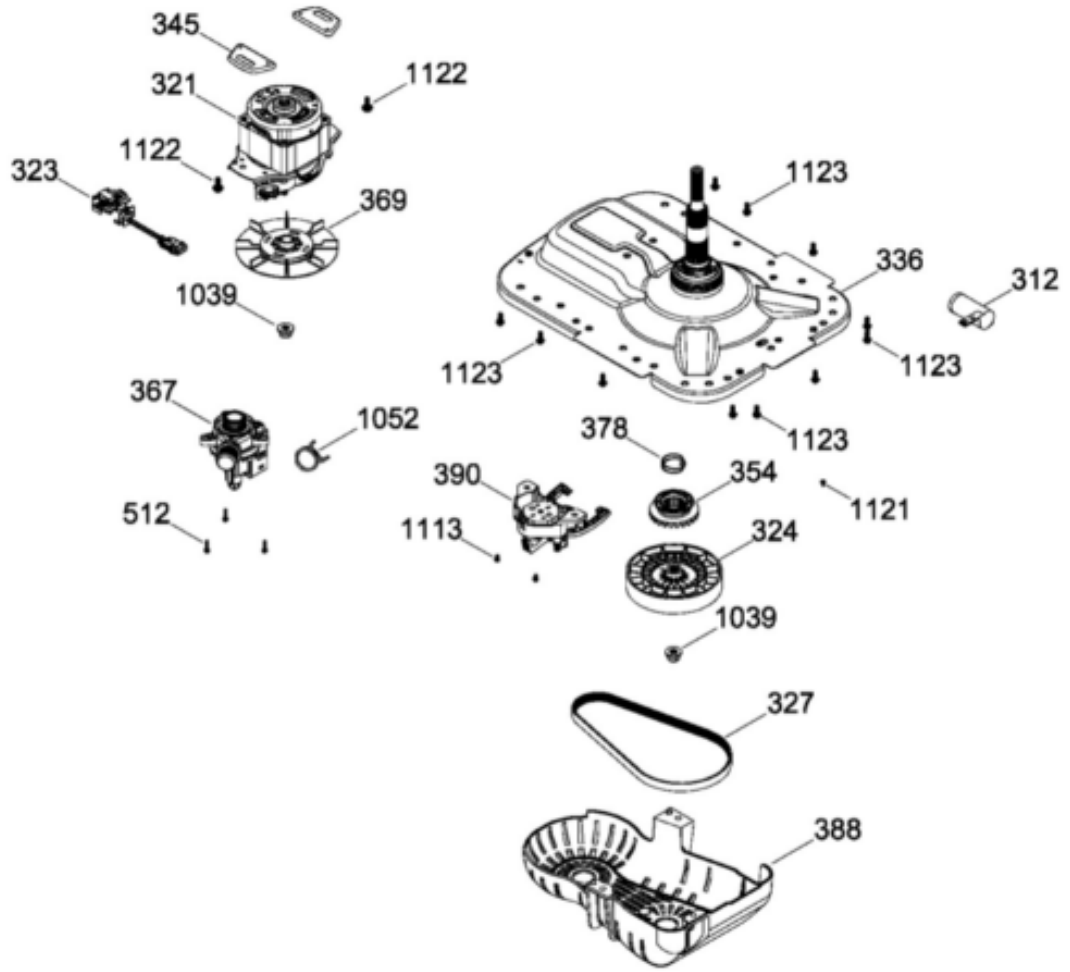
LMH70201WBCU00



LAVADORA LMH70201WBCU00

SISTEMA MOTRIZ / PUMP & DRIVE COMPONENTS

LMH70201WBCU00





LAVADORA LMH70201WBCU00

| Guía | Refacción | Descripción |
|------|------------|----------------------------------|
| 6 | WW01F01715 | CABLE TOMACORRIENTE ENSAMBLE |
| 9 | WW01A00654 | GOMA TAPA |
| 12 | WW01F01772 | VALVULA CUADRUPLE |
| 20 | WW01L01620 | IML Y BEZEL ENSAMBLE |
| 21 | WW01L01540 | COPETE |
| 30 | WW01F01674 | ARNES PRINCIPAL |
| 34 | WW01L01549 | SELLO COPETE |
| 35 | WW01F01721 | PAPEL ANTI FLAMA |
| 35 | WW01L01668 | PAPEL ANTI FLAMA |
| 39 | WW01L01654 | ENSAMBLE PERILLA |
| 44 | WW01A00641 | PIN ALINEAMIENTO |
| 45 | WW01F00599 | MANGUERA |
| 45 | WW01F01986 | MANGUERA |
| 49 | WW01L01624 | PANEL POSTERIOR COPETE |
| 56 | WW01F01679 | ARNES SEGURO TAPA |
| 59 | WW01A00651 | CLIP CABLE |
| 69 | WW01F01831 | TARJETA Y SOFTWARE |
| 78 | WW01F01676 | ARNES VALVULAS |
| 93 | WW01L01532 | ENSAMBLEGABINETE |
| 96 | WW01F01749 | PATA NIVELADORA |
| 96 | WW01L01746 | PATA NIVELADORA |
| 96 | WW01L01746 | PATA NIVELADORA |
| 98 | WW01F01763 | BISEL BLOCAPUERTAS |
| 99 | WW01L01544 | BLOQUEA PUERTAS |
| 103 | WW01L01641 | AMORTIGUADOR Y SOPORTE IZQUIERDO |
| 104 | WW01L01642 | AMORTIGUADOR Y SOPORTE DERECHO |
| 106 | WW01L01628 | BUJE DERECHO |
| 107 | WW01L01629 | BUJE IZQUIERDO |
| 108 | WW01L01506 | CUBIERTA MANGUERA |
| 108 | WW01L01506 | CUBIERTA MANGUERA |
| 111 | WW01F01743 | MANGUERA DRENADO ENSAMBLE |
| 114 | WW01L01507 | CUBIERTA SUPERIOR |
| 117 | WW01L01521 | TAPA VIDRIO ENSAMBLE |
| 118 | WW01F01673 | REGADERA |
| 118 | WW01F01673 | REGADERA |



LAVADORA LMH70201WBCU00

| Guía | Refacción | Descripción |
|------|------------|--------------------------|
| 118 | WW01A00749 | REGADERA |
| 120 | WW01L01653 | ENSAMBLE ACTUADOR |
| 123 | WW01A00652 | TAPA SIFON |
| 124 | WW01A00649 | SOPORTE CUBIERTA |
| 127 | WW01F01671 | CAJA DISPENSADOR |
| 132 | WW01A00058 | KIT ACCESORIOS |
| 145 | WW01F01705 | CAJON |
| 145 | WW01A00750 | CAJON |
| 146 | WW01L01535 | MASCARA CAJON |
| 155 | WW01L01627 | DESPACHADOR DE CLORO |
| 173 | WW01F01727 | TINA ENSAMBLE |
| 175 | WW03L00037 | PARCHE IMPACTO |
| 175 | WW03L00037 | PARCHE IMPACTO |
| 179 | WW01F01662 | INFUSOR |
| 182 | WW01F01762 | TAPA INFUSOR |
| 185 | WW01F01681 | ENSAMBLE SUSPENSION |
| 188 | WW01F01682 | ENSAMBLE SUSPENSION |
| 197 | WW01F01680 | ROTULA SUPERIOR |
| 203 | WW01A00653 | ARANDELA FONDO CANASTA |
| 204 | WW01A00643 | ARANDELA CONICA |
| 209 | WW01F01699 | CANASTA ENSAMBLE |
| 218 | WW01A00642 | TUERCA CANASTA |
| 221 | WW01F01661 | CUBIERTA TINA |
| 312 | WW03F00533 | CAPACITOR |
| 312 | WW03F00533 | CAPACITOR |
| 321 | WW01F01847 | MOTOR1/3HP-MCM-220v-240v |
| 323 | WW01F01707 | SENSOR DE VELOCIDAD |
| 324 | WG04F09371 | POLEA TRANSMISION |
| 324 | WW01F01787 | POLEA TRANSMISION |
| 324 | WW01F01787 | POLEA TRANSMISION |
| 327 | WW01F01756 | BELT DRIVE |
| 336 | WW01A00637 | SOPORTE ENSAMBLE |
| 336 | WW01A00724 | SOPORTE ENSAMBLE |
| 345 | WW01A00658 | REFUERZO MOTOR |
| 354 | WW01F01784 | EMBRAGUE |



LAVADORA LMH70201WBCU00

| Guía | Refacción | Descripción |
|------|------------|--------------------------------|
| 367 | WW01F01695 | BOMBA DE DRENADO ENSAMBLE |
| 369 | WW01F01788 | POLEA MOTOR |
| 378 | WW01A00053 | RESORTE CAMBIADOR |
| 388 | WW01L01663 | CORREA CUBIERTA |
| 390 | WW02F00672 | SISTEMA DE CAMBIO ENSAMBLE |
| 464 | WW01A00659 | TORNILLO 8-18 BT |
| 492 | WW01A00064 | TORNILLO |
| 508 | WW01A00650 | TAPON BELLEZA |
| 512 | WW01A00330 | TORNILLO VALVULA |
| 515 | WW01A00660 | TORNILLO CUBIERTA |
| 700 | WW01A00582 | TORNILLO |
| 1039 | WW01A00644 | TUERCA POLEA |
| 1052 | WW01A00094 | ABRAZADERA |
| 1104 | WW01A00097 | TORNILLO 8-18 X 7/16 AB FENIX |
| 1109 | WW01A00449 | TO 2RNILLO 8-16B FLP .525 S ZN |
| 1113 | WW01A00082 | TORNILLO SOPORTE |
| 1117 | WW01A00452 | TORNILLO |
| 1121 | WW01A00001 | TORNILLO |
| 1122 | WW01A00657 | TORNILLO MOTOR |
| 1123 | WW01A00084 | TORNILLO |