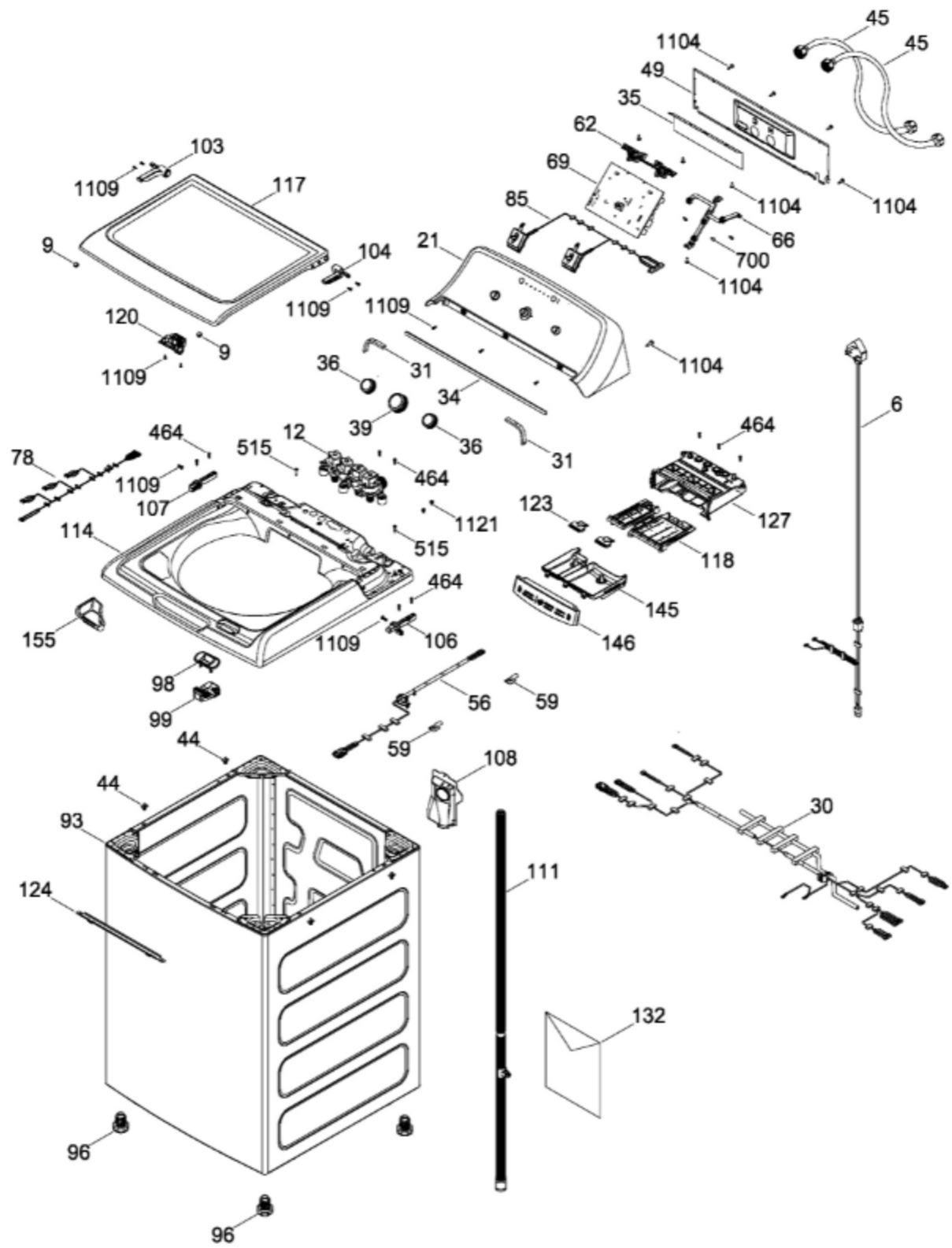


# LAVADORA LMH70203SBCS00

COPETE / BACKSPLASH  
 GABINETE Y CUBIERTA / CABINET & COVER

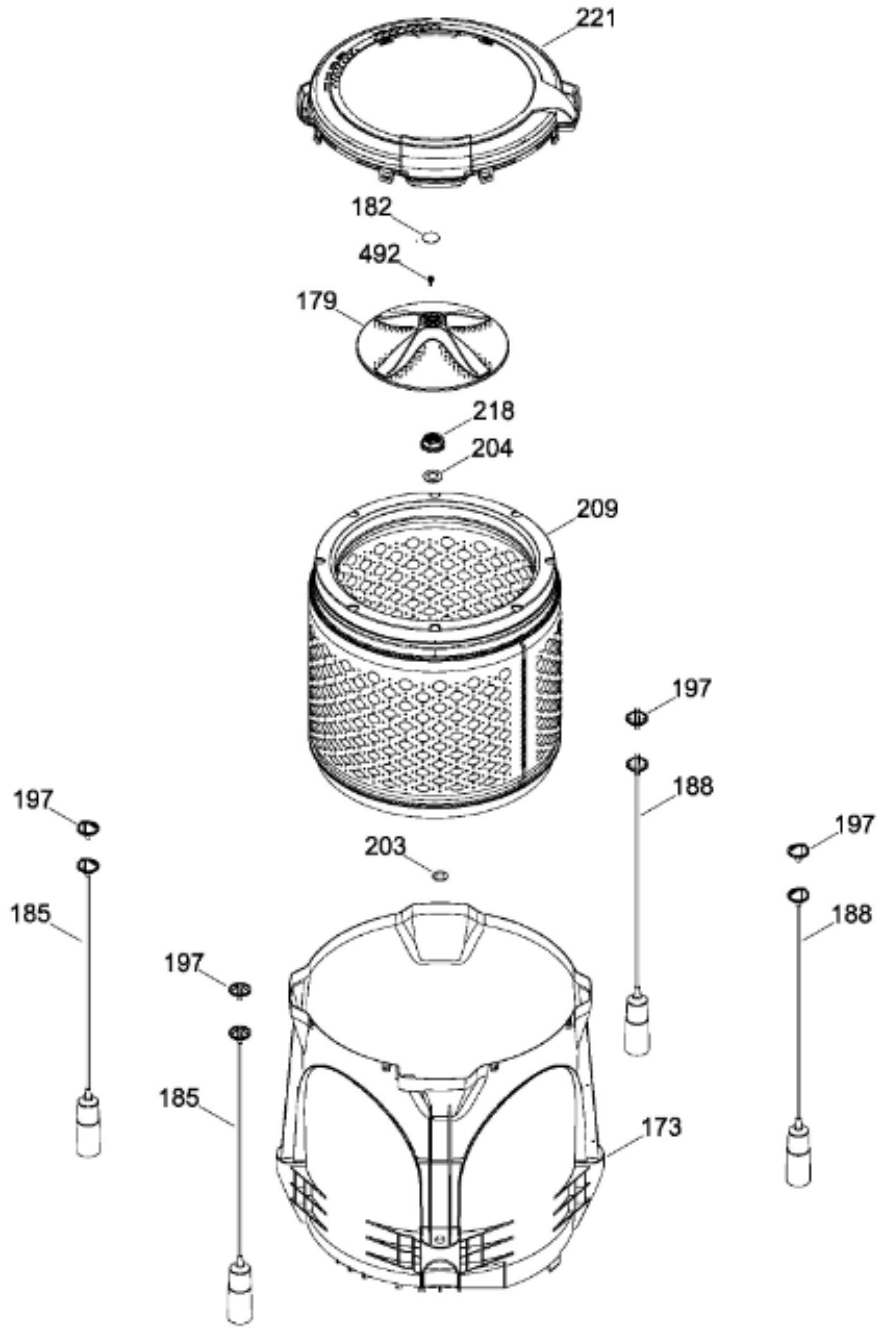
LMH70203SBCS00



# LAVADORA LMH70203SBCS00

PARTES PARA TINA / TUB, BASKET & AGITATOR

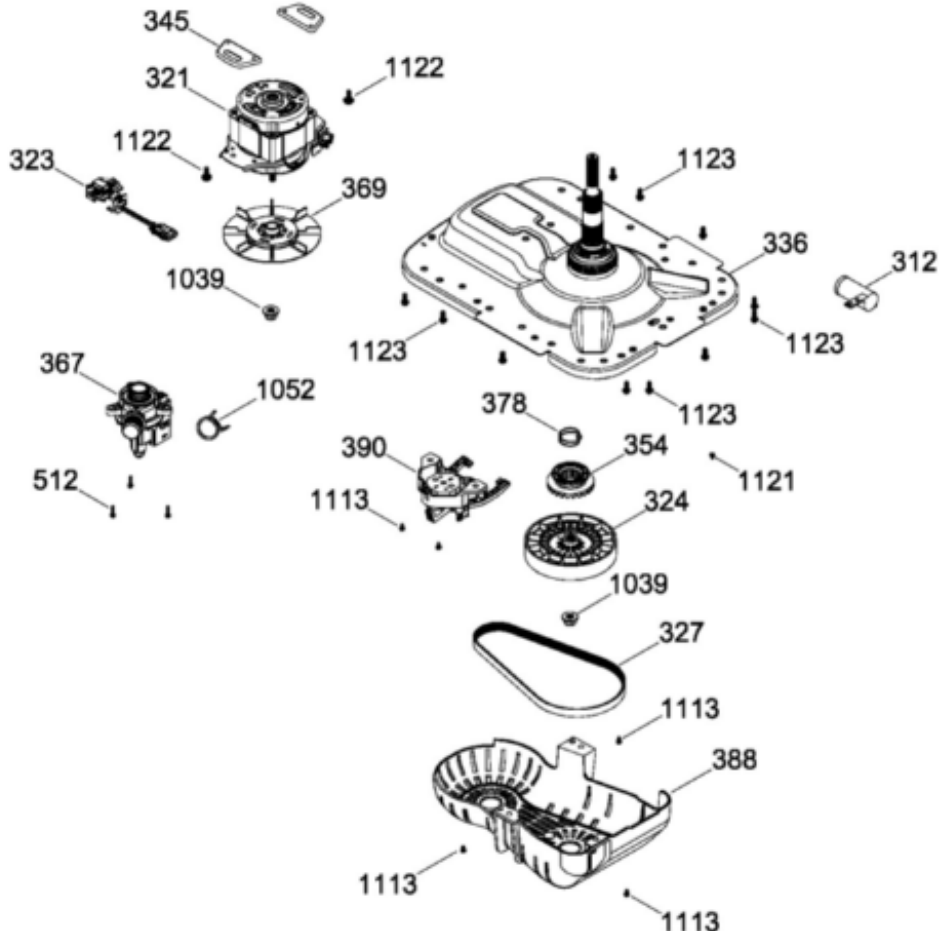
LMH70203SBCS00



# LAVADORA LMH70203SBCS00

SISTEMA MOTRIZ / PUMP & DRIVE COMPONENTS

LMH70203SBCS00





# LAVADORA LMH70203SBCS00

| Guía | Refacción  | Descripción                      |
|------|------------|----------------------------------|
| 6    | WW01F01716 | CABLE TOMACORRIENTE ENSAMBLE     |
| 9    | WW01A00654 | GOMA TAPA                        |
| 12   | WW01F01772 | VALVULA CUADRUPLE                |
| 21   | WW01L01749 | ENSAMBLE IML Y COPETE            |
| 30   | WW01F01866 | ARNES PRINCIPAL                  |
| 30   | WW01F02022 | ARNES PRINCIPAL                  |
| 30   | WW01A00755 | ARNES PRINCIPAL                  |
| 31   | WW01L01676 | SELLADOR COPETE                  |
| 34   | WW01L01675 | SELLADOR COPETE                  |
| 35   | WW01L01668 | PAPEL TERMOVOLT                  |
| 36   | WW01L01636 | PERILLA ROTATORIA                |
| 39   | WW01L01639 | PERILLA CONTROL                  |
| 44   | WW01A00641 | PIN ALINEAMIENTO                 |
| 45   | WW01F00597 | MANGUERA                         |
| 45   | WW01F01987 | MANGUERA                         |
| 49   | WW01L01624 | PANEL POSTERIOR COPETE           |
| 56   | WW01F01679 | ARNES SEGURO TAPA                |
| 59   | WW01A00651 | CLIP CABLE                       |
| 62   | WW01L01703 | BOTON INICIO / PAUSA             |
| 66   | WW02F00735 | SOPORTE TARJETA CONTROL          |
| 69   | WW01F01825 | TARJETA Y SOFTWARE               |
| 78   | WW01F01676 | ARNES VALVULAS                   |
| 85   | WW01F01692 | ENSAMBLE SELECTOR                |
| 93   | WW01L01529 | GABINETE ENSAMBLE                |
| 96   | WW01L01746 | PATA NIVELADORA                  |
| 96   | WW01L01746 | PATA NIVELADORA                  |
| 96   | WW01L01746 | PATA NIVELADORA                  |
| 98   | WW01F01763 | BISEL BLOCAPUERTAS               |
| 99   | WW01L01544 | BLOQUEA PUERTAS                  |
| 103  | WW01L01640 | AMORTIGUADOR Y SOPORTE IZQUIERDO |
| 104  | WW01L01642 | AMORTIGUADOR Y SOPORTE DERECHO   |
| 106  | WW01L01628 | BUJE DERECHO                     |
| 107  | WW01L01629 | BUJE IZQUIERDO                   |
| 108  | WW01L01506 | CUBIERTA MANGUERA                |
| 108  | WW01L01506 | CUBIERTA MANGUERA                |



# LAVADORA LMH70203SBCS00

| Guía | Refacción  | Descripción                          |
|------|------------|--------------------------------------|
| 111  | WW01F01743 | MANGUERA DRENADO ENSAMBLE            |
| 114  | WW01L01507 | CUBIERTA SUPERIOR                    |
| 117  | WW01L01525 | TAPA METALICA                        |
| 118  | WW01F01673 | REGADERA                             |
| 118  | WW01F01673 | REGADERA                             |
| 118  | WW01A00749 | REGADERA                             |
| 120  | WW01L01652 | ENSAMBLE ACTUADOR                    |
| 123  | WW01A00652 | TAPA SIFON                           |
| 124  | WW01A00649 | SOPORTE CUBIERTA                     |
| 127  | WW01F01671 | CAJA DISPENSADOR                     |
| 132  | WW01A00057 | BOLSA ACCESORIOS                     |
| 145  | WW01F01705 | CAJON                                |
| 145  | WW01A00750 | CAJON                                |
| 146  | WW01L01535 | MASCARA CAJON                        |
| 155  | WW01L01627 | DESPACHADOR DE CLORO                 |
| 173  | WW01F01727 | TINA ENSAMBLE                        |
| 179  | WW01F01662 | INFUSOR                              |
| 182  | WW01F01762 | TAPA INFUSOR                         |
| 185  | WW01F01681 | ENSAMBLE SUSPENSION                  |
| 188  | WW01F01682 | ENSAMBLE SUSPENSION                  |
| 197  | WW01F01680 | ROTULA SUPERIOR                      |
| 203  | WW01A00653 | ARANDELA FONDO CANASTA               |
| 204  | WW01A00643 | ARANDELA CONICA                      |
| 209  | WW01F01699 | CANASTA ENSAMBLE                     |
| 218  | WW01A00642 | TUERCA CANASTA                       |
| 221  | WW01F01661 | CUBIERTA TINA                        |
| 312  | WW03F00533 | CAPACITOR                            |
| 321  | WW01F01865 | MOTOR 1/3 HP - MCM - 220v-240v/60-50 |
| 323  | WW01F01707 | SENSOR DE VELOCIDAD                  |
| 324  | WW01F01787 | POLEA TRANSMISION                    |
| 324  | WW01F01787 | POLEA TRANSMISION                    |
| 327  | WW01F01756 | BELT DRIVE                           |
| 336  | WW01A00637 | SOPORTE ENSAMBLE                     |
| 336  | WW01A00724 | SOPORTE ENSAMBLE                     |
| 345  | WW01A00658 | REFUERZO MOTOR                       |



# LAVADORA LMH70203SBCS00

| Guía | Refacción  | Descripción                    |
|------|------------|--------------------------------|
| 354  | WW01F01784 | EMBRAGUE                       |
| 367  | WW01F01695 | BOMBA DE DRENADO ENSAMBLE      |
| 369  | WW01F01788 | POLEA MOTOR                    |
| 378  | WW01A00053 | RESORTE CAMBIADOR              |
| 388  | WW01L01663 | CORREA CUBIERTA                |
| 390  | WW02F00672 | SISTEMA DE CAMBIO ENSAMBLE     |
| 464  | WW01A00659 | TORNILLO 8-18 BT               |
| 492  | WW01A00064 | TORNILLO                       |
| 512  | WW01A00330 | TORNILLO VALVULA               |
| 515  | WW01A00660 | TORNILLO CUBIERTA              |
| 700  | WW01A00582 | TORNILLO                       |
| 1039 | WW01A00644 | TUERCA POLEA                   |
| 1052 | WW01A00094 | ABRAZADERA                     |
| 1104 | WW01A00097 | TORNILLO 8-18 X 7/16 AB FENIX  |
| 1109 | WW01A00449 | TO 2RNILLO 8-16B FLP .525 S ZN |
| 1113 | WW01A00082 | TORNILLO SOPORTE               |
| 1121 | WW01A00001 | TORNILLO                       |
| 1122 | WW01A00657 | TORNILLO MOTOR                 |
| 1123 | WW01A00084 | TORNILLO                       |