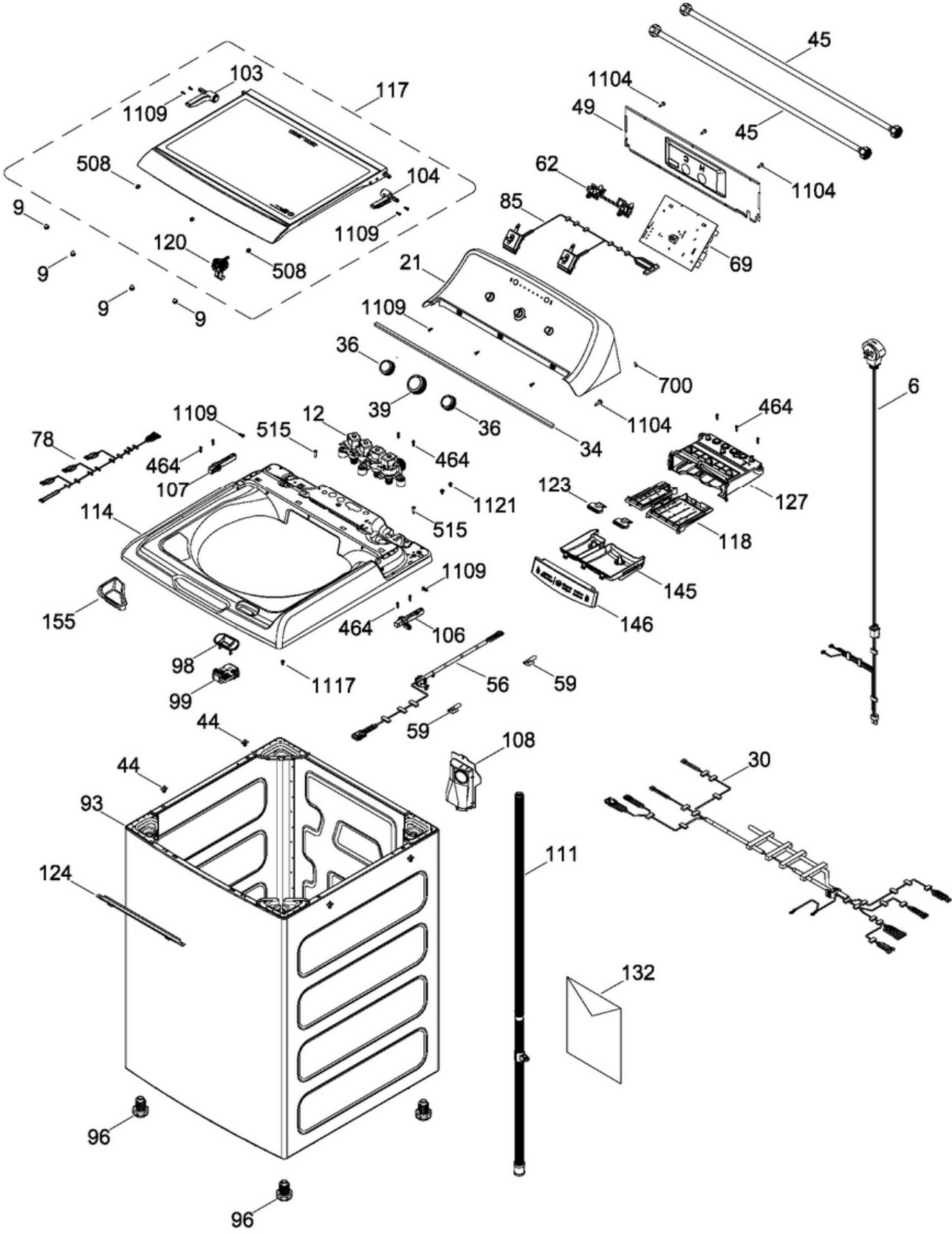
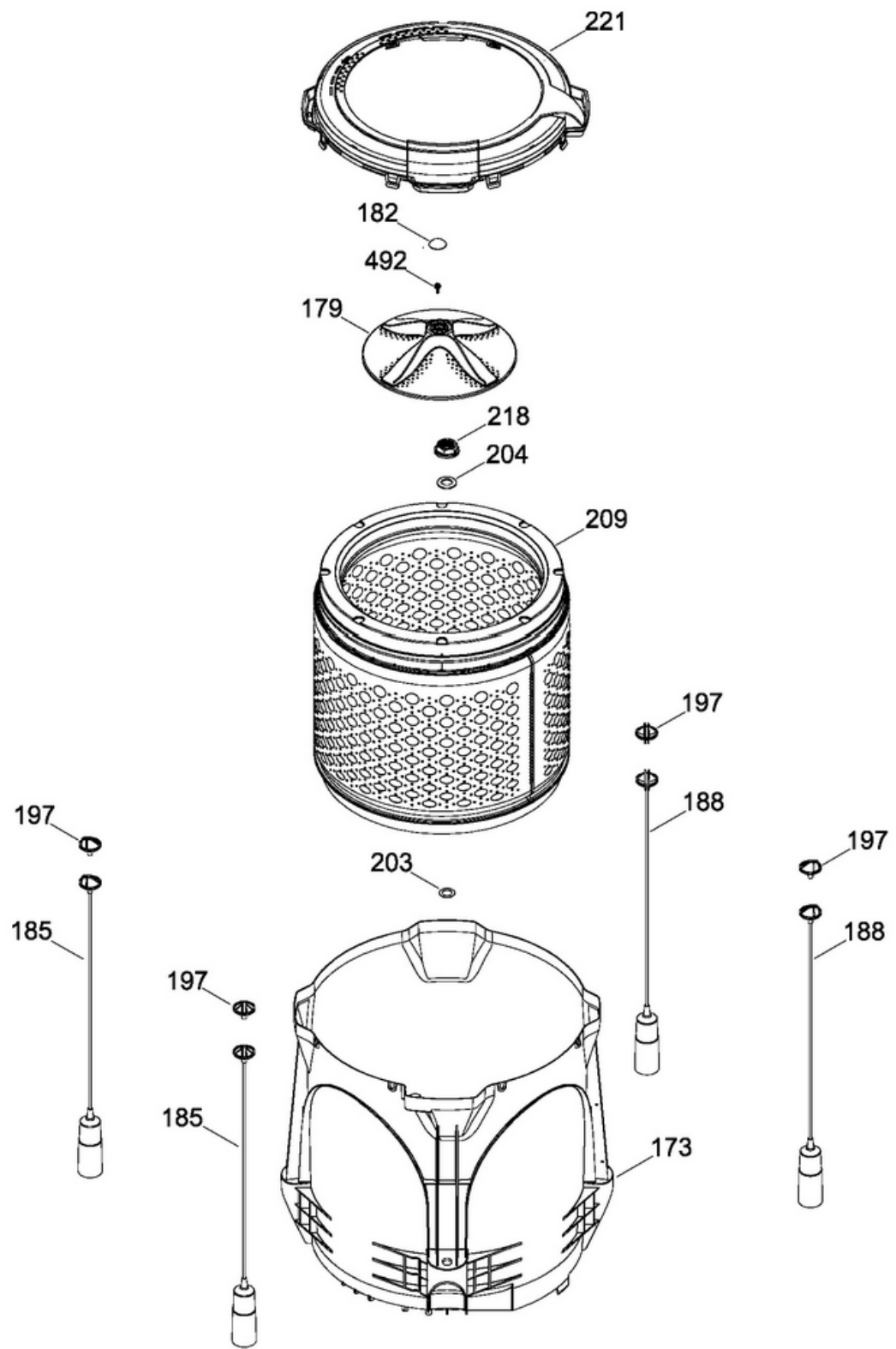


LAVADORA LMH70203WBAB00



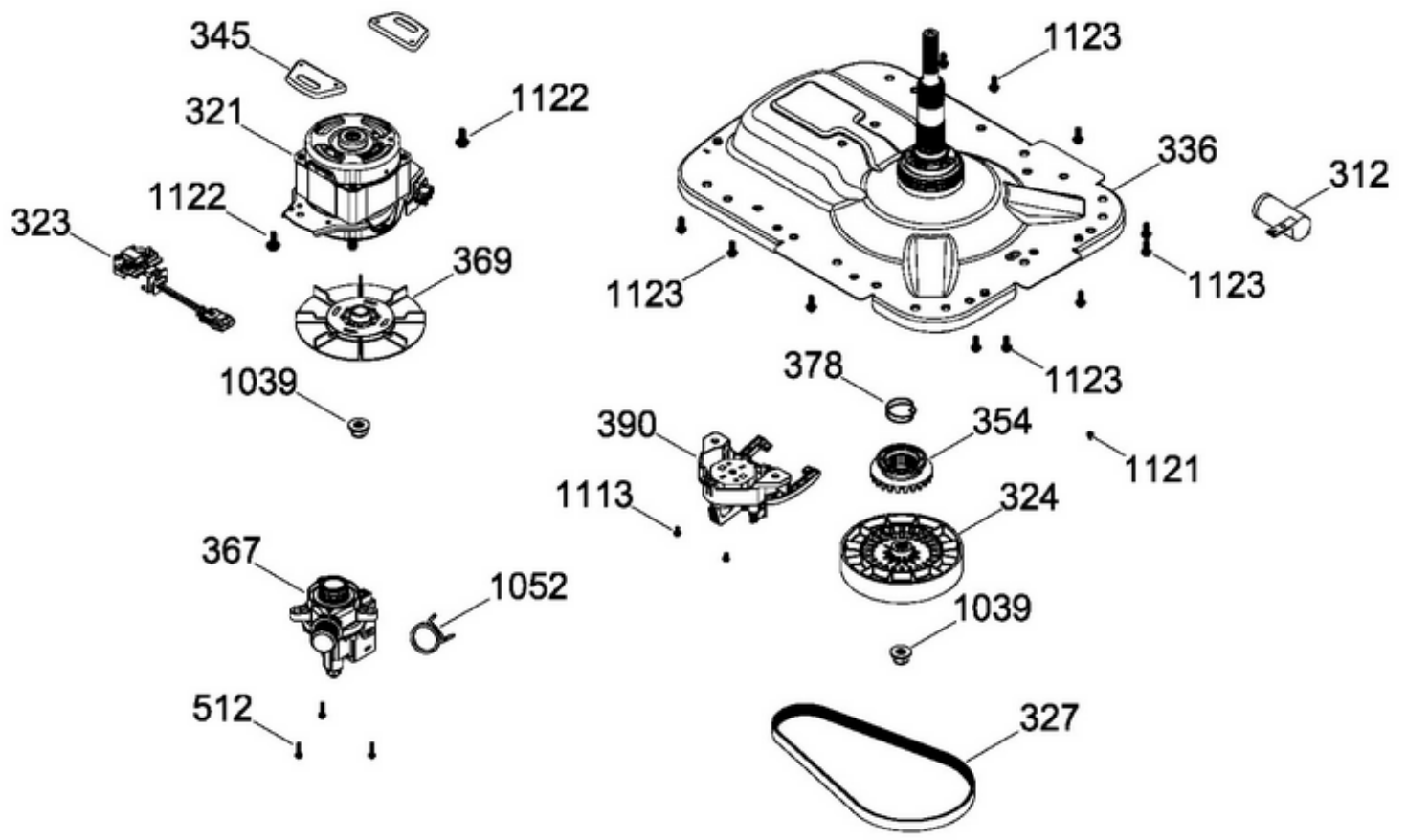


LAVADORA LMH70203WBAB00





LAVADORA LMH70203WBAB00





LAVADORA LMH70203WBAB00

Guía	Componente	Descripción
6	233D2095G001	ENSAMBLE TOMACORRIENTE
9	277B2275P001	GOMA TAPA
12	290D1232G001	VALVULA DE AGUA CUADRUPLE
12	290D1232G003	VALVULA DE AGUA CUADRUPLE
21	233D2439G012	COPETE E IML ASM
21	233D2631G019	COPETE E IML ASM
30	233D2053G001	ARNES PRINCIPAL
34	233D2309P001	SELLO COPETE
36	253C1247G003	PERILLA ROTATORIA
39	253C1252G003	PERILLA CONTROL
44	253C1196P001	PIN ALINEAMINETO
45	233D1368G001	MANGUERA
45	233D2851G001	MANGUERA
49	234D2296P002	PANEL POSTERIOR COPETE
56	233D2056G001	ARNES SEGURO TAPA
59	253C1303P001	CLIP CABLE
62	253C1242P001	BOTON INICIO
69	EMX1741P007R000	TARJETA CONTROL
78	233D2055G001	ARNES VALVULAS
85	233D2096G001	ENSAMBLE SELECTOR
93	233D2157G008	GABINETE ENSAMBLE
96	253C1245P001	PATA NIVELADORA
96	253C1245P002	PATA NIVELADORA
96	253C1245P003	PATA NIVELADORA
98	277B2259P001	BISEL BLOCAPUERTAS
99	233D2274P002	SEGURO TAPA
103	253C1257P002	AMORTIGUADOR Y SOPORTE IZQUIERDO
104	253C1258P001	AMORTIGUADOR Y SOPORTE DERECHO
106	253C1180P001	BUJE DERECHO
107	253C1180P002	BUJE IZQUIERDO
108	233D1956P001	CUBIERTA MANGUERA
108	233D1956P002	CUBIERTA MANGUERA
111	253C1194G001	MANGUERA DRENADO ENSAMBLE
114	233D1995P003	CUBIERTA SUPERIOR
117	233D2050G003	TAPA VIDRIO ENSAMBLE



LAVADORA LMH70203WBAB00

Guía	Componente	Descripción
118	233D2038P001	REGADERA
118	233D2038P002	REGADERA
118	233D2038P003	REGADERA
120	277B2481G001	ENSAMBLE ACTUADOR
123	277B2011P001	TAPA SIFON
124	253C1301P001	SOPORTE CUBIERTA
127	233D2037P001	CAJA DISPENSADOR
132	233D1397G002	BOLSA ACCESORIOS
145	233D2217P001	DISPENSADOR
145	233D2217P002	DISPENSADOR
146	233D2216P001	MASCARA CAJON
155	253C1177P002	DESPACHADOR DE CLORO
173	233D2316G001	TINA ENSAMBLE
179	233D1974P001	INFUSOR
182	277B1965P001	INFUSOR TAPA
185	233D2080G001	ENSAMBLE SUSPENSION
188	233D2080G002	ENSAMBLE SUSPENSION
197	233D2079P001	ROTULA SUPERIOR
203	277B2274P001	ARANDELA FONDO CANASTA
204	253C1225P001	ARANDELA CONICA
209	233D2181P001	CANASTA ENSAMBLE
218	253C1224P001	TUERCA CANASTA
221	233D1950P001	CUBIERTA TINA
312	253C1255P003	CAPACITOR
312	253C1255P006	CAPACITOR
321	233D1980P001	MOTOR INDUCTION
321	233D2617G001	MOTOR INDUCTION
321	233D2733G001	KIT MOTOR ARNES
323	233D2227P001	SENSOR DE VELOCIDAD
324	290D1118P001	POLEA TRANSMISION
324	290D1118P002	POLEA TRANSMISION
327	253C1275P001	BELT DRIVE
336	233D2549G001	SOPORTE ENSAMBLE
336	233D2549G004	SOPORTE ENSAMBLE
345	323B2167P002	REFUERZO MOTOR



LAVADORA LMH70203WBAB00

Guía	Componente	Descripción
354	233D2193P001	EMBRAGUE
367	233D2106G002	BOMBA DE DRENADO ENSAMBLE
369	290D1164G001	POLEA MOTOR
378	228C2367P001	RESORTE CAMBIADOR
390	233D2202G001	SISTEMA DE CAMBIO ENSAMBLE
464	323B2132P002	TORNILLO 8-18 BT
492	323B1346P004	TORNILLO
508	253C1302P001	TAPON BELLEZA
512	323B2575P001	TORNILLO VALVULA
515	253C1276P001	TORNILLO CUBIERTA
700	8911201P404	TORNILLO
1039	253C1234P001	TUERCA POLEA
1052	323B2665P002	ABRAZADERA
1104	8911201P341	TORNILLO 8-18 X 7/16 AB FENIX
1109	277B1126P001	TO 2RNILLO 8-16B FLP .525 S ZN
1113	323B2148P001	TORNILLO SOPORTE
1117	277B1076P001	TORNILLO
1121	109B3403P052	TORNILLO
1122	323B2094P004	TORNILLO MOTOR
1123	323B2190P002	TORNILLO