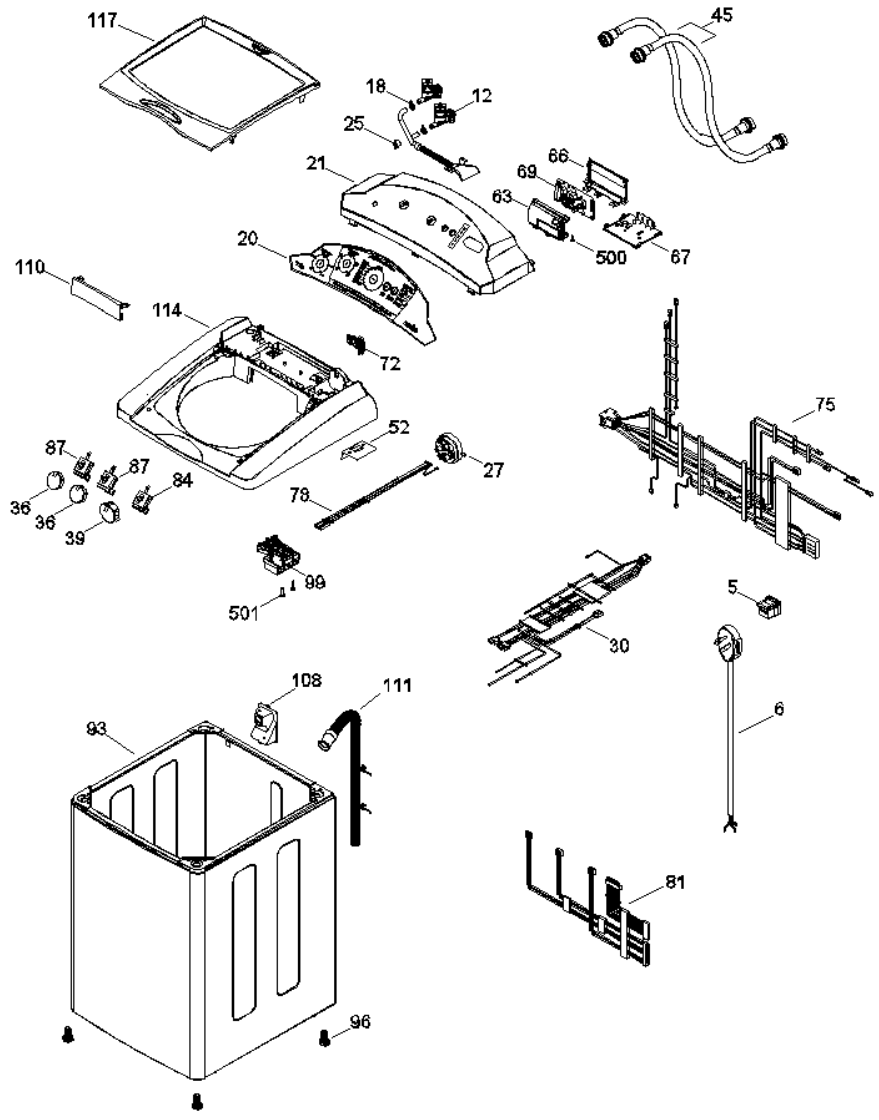
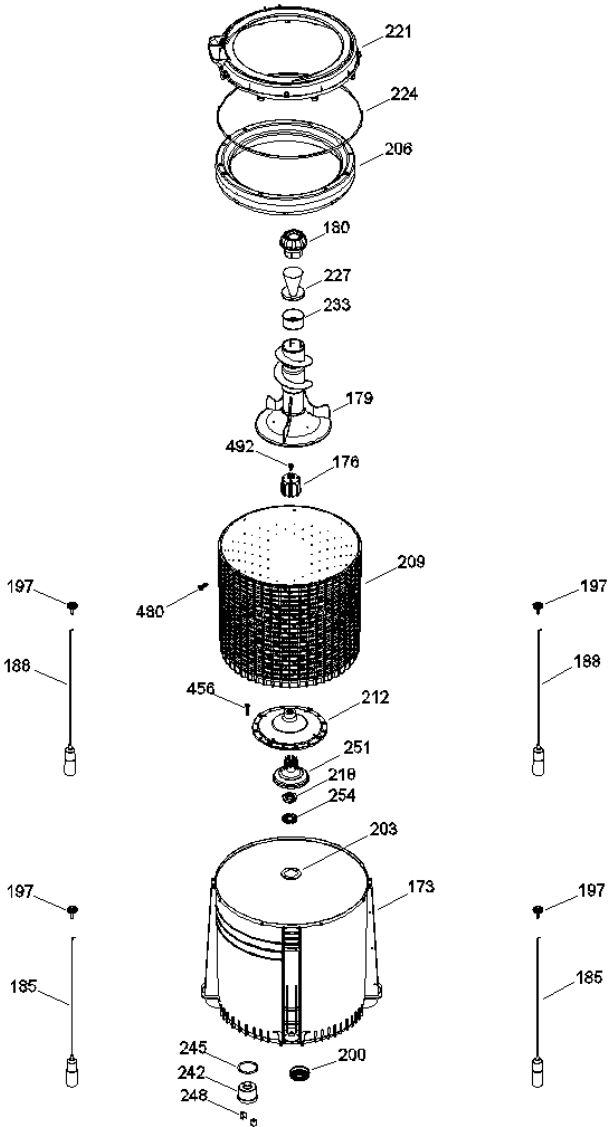


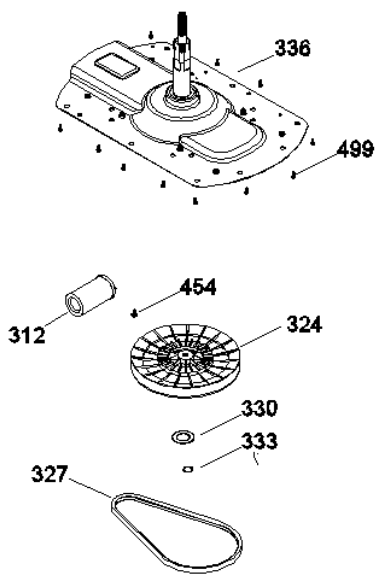
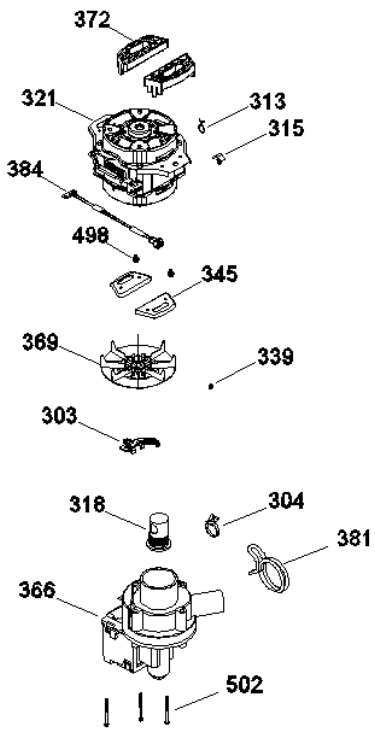
**LMI15300PKBB0**



**LMI15300PKBB0**



**LMI15300PKBB0**





LMI15300PKBB0

|     |               |                                |
|-----|---------------|--------------------------------|
| 1   | 323B2304P002  | LOGO GOTA ID SYSTEM 4 IGUAZU   |
| 6   | 189D3208P002  | TOMACORRIENTE AMAZ. NUEVO      |
| 11  | 323B1472P001  | UNIVALVULA                     |
| 12  | 323B1472P002  | UNIVALVULA                     |
| 15  | 189D1455P004  | MANGUERA ENTRADA DE AGUA AMAZ  |
| 18  | 109B8787P014  | ABRAZADERA ENTRADA DE AGUA     |
| 20  | 189D4329P008  | OVERLAY                        |
| 21  | 189D3331P008  | COPETE IGUAZU BCO MABE         |
| 25  | 323B1408P001  | ABRAZADERA MANGUERA PRESOSTATO |
| 27  | 228C2084P006  | PRESOSTATO MECANICO AMAZONA    |
| 30  | 189D3983G006  | ARNES GABINETE C/MANG PRESOSTA |
| 36  | 323B2380G002  | PERILLA ROTATORIA IGUAZU ENS   |
| 39  | 323B2381G002  | PERILLA CONTROL IGUAZU ENS     |
| 45  | 233D1084G001  | MANGUERA DE LLENADO            |
| 52  | 228C2385P001  | SOPORTE METALICO DEL CONECTOR  |
| 63  | 189D5318P001  | PROTECTOR TARJETA              |
| 66  | 189D5218P001  | BASE PROTECTOR TARJETA         |
| 69  | T19G08R08     | TARJETA ELECTRONICA TNT        |
| 72  | 189D2761G005  | TARJETA BOTONES MABE IGUAZU    |
| 75  | 189D3831G003  | ARNES CUBIERTA LID LOCK BITRON |
| 78  | 189D3652G002  | ARNES PRESOSTATO               |
| 81  | 189D3653G005  | ARNES SELECTOR ID 3 PE         |
| 84  | 228C1256G005  | SELECTOR 8 POSICIONES CERRADO  |
| 87  | 228C1256G002  | SELECTOR DE 5 POSICIONES       |
| 93  | 189D2655G009  | GABINETE ENSAMBLE              |
| 96  | 228C1202P001  | PATA NIVELADORA AMAZONAS       |
| 99  | 228C2107P002N | BLOCAPUERTAS C/SLIDER          |
| 108 | 189D2637P001  | TAPA MANGUERRA DE SALIDA       |
| 110 | 323B1440P002  | TAPA DESPACHADOR IGUAZ         |
| 111 | 228C2206G001  | MANGUERA DE DRENADO            |
| 114 | 189D3057P004F | CUBIERTA IGUAZU BLANCO MABE    |
| 117 | 189D3157G015  | TAPA ENS(BCO)                  |
| 173 | 189D2668P001  | TINA 10 Y 12 KG AMAZ           |

|     |               |                                |
|-----|---------------|--------------------------------|
| 176 | 189D3624P001F | COPLE AGITADOR LOW COS         |
| 179 | 189D3746G002  | AGITADOR 13KG. ENSAMBLE        |
| 180 | 323B2302G003  | DESPACHADOR SUAVIZANTE ENS     |
| 185 | 189D3916G005  | ENS. SUSP. FRONTAL 11 LYRA, 13 |
| 188 | 189D3916G006  | ENS. SUSP. POST. 11 LYRA, 13 A |
| 197 | 228C2372P001  | ROTULA                         |
| 200 | 228C2451P001  | SELLO TINA                     |
| 203 | 323B2127P001  | ARANDELA FONDO CANASTA         |
| 206 | 189D1111G003  | ARO BALANCE 14KG ENS           |
| 209 | 189D2050P001  | CANASTA 12KG. OLY 2000         |
| 212 | 189D3533P001C | FONDO CANASTA FLOTADOR         |
| 218 | 228C2160P001  | TUERCA TINA                    |
| 221 | 189D2790P001  | CUBIERTA TINA                  |
| 224 | 228C1177P002  | SELLO CUBIERTA TINA            |
| 227 | 323B2299P002C | COPA SUAVIZANTE AZUL META COMP |
| 233 | 323B2300P001C | RETARDANTE SUAVIZANTE          |
| 242 | 228C2089P001  | TAPON CAJA PRESOSTATO TINA     |
| 245 | 323B2098P001  | SELLO TAPON TINA               |
| 248 | 323B2099P001  | CLIP TAPON PRESOSTATO          |
| 251 | 189D3590G001  | ENSAMBLE FLOTADOR              |
| 254 | 228C2415P001  | EMBRAGUE FIJO                  |
| 303 | 228C2110P001  | SOPORTE TARJETA SENSOR MOTOR   |
| 303 | 228C2110P001  | SOPORTE TARJETA SENSOR MOTOR   |
| 304 | 143B9478P001  | CINCHO ESPADA (BOMBA Y ARNE    |
| 312 | 228C1259P001  | CAPACITOR GLOBE                |
| 313 | 143B9612P001  | CINCHO PARA ARNES OVAL         |
| 315 | 323B1365P001  | BOTON DE MONTAJE ARNES MOTOR   |
| 318 | 228C2136P001  | SELLO BOMBA                    |
| 321 | 189D4153P002  | MOTOR 1/3 127V,60 HZ           |
| 324 | 189D2652P001  | POLEA TRANSMISION              |
| 327 | 228C2115P003  | BANDA UNIFICADA                |
| 330 | 323B2052P001  | ARANDELA DE FRICCION           |
| 333 | 323B2000P001  | ANILLO DE RETENCION            |
| 336 | 189D3593G001  | TRANSMISION CON SOPORTES ENS   |
| 339 | 323B1279P002  | OPRESOR POLEA                  |
| 345 | 323B2167P001  | REFUERZO MOTOR AMAZ            |
| 366 | 233D1021P001  | BOMBA DRENADO 127V-60HZ        |
| 369 | 189D2645G002C | POLEA MOTOR AMAZONA ENS        |

|     |              |                               |
|-----|--------------|-------------------------------|
| 372 | 228C2112P001 | ESPACIADOR MOTOR              |
| 381 | 323B1390P001 | ABRAZADERA BOMBA DOBLE HILO   |
| 381 | 323B1390P001 | ABRAZADERA BOMBA DOBLE HILO   |
| 384 | 228C2076P003 | TARJETA SENSOR MOTOR          |
| 454 | 323B2186P001 | TORNILLO VALVULA AMAZ         |
| 456 | 8911238P041  | TORNILLO FONDO CANASTA        |
| 480 | 323B1193P001 | TORNILLO HUB VS CANASTA       |
| 492 | 323B1346P001 | TORNILLO C/GROMET COPLE       |
| 498 | 323B2094P001 | TORNILLO DE SUJECCION MOTOR A |
| 499 | 323B2190P002 | TORNILLO CON ASERRACIONES     |
| 500 | 8911201P341  | TORNILLO 8-18 AB IHW 3/8 SN   |
| 501 | 323B2092P001 | TORNILLO LID LOCK G-4         |
| 502 | 323B2145P001 | TORNILLO BOMBA DRENADO        |