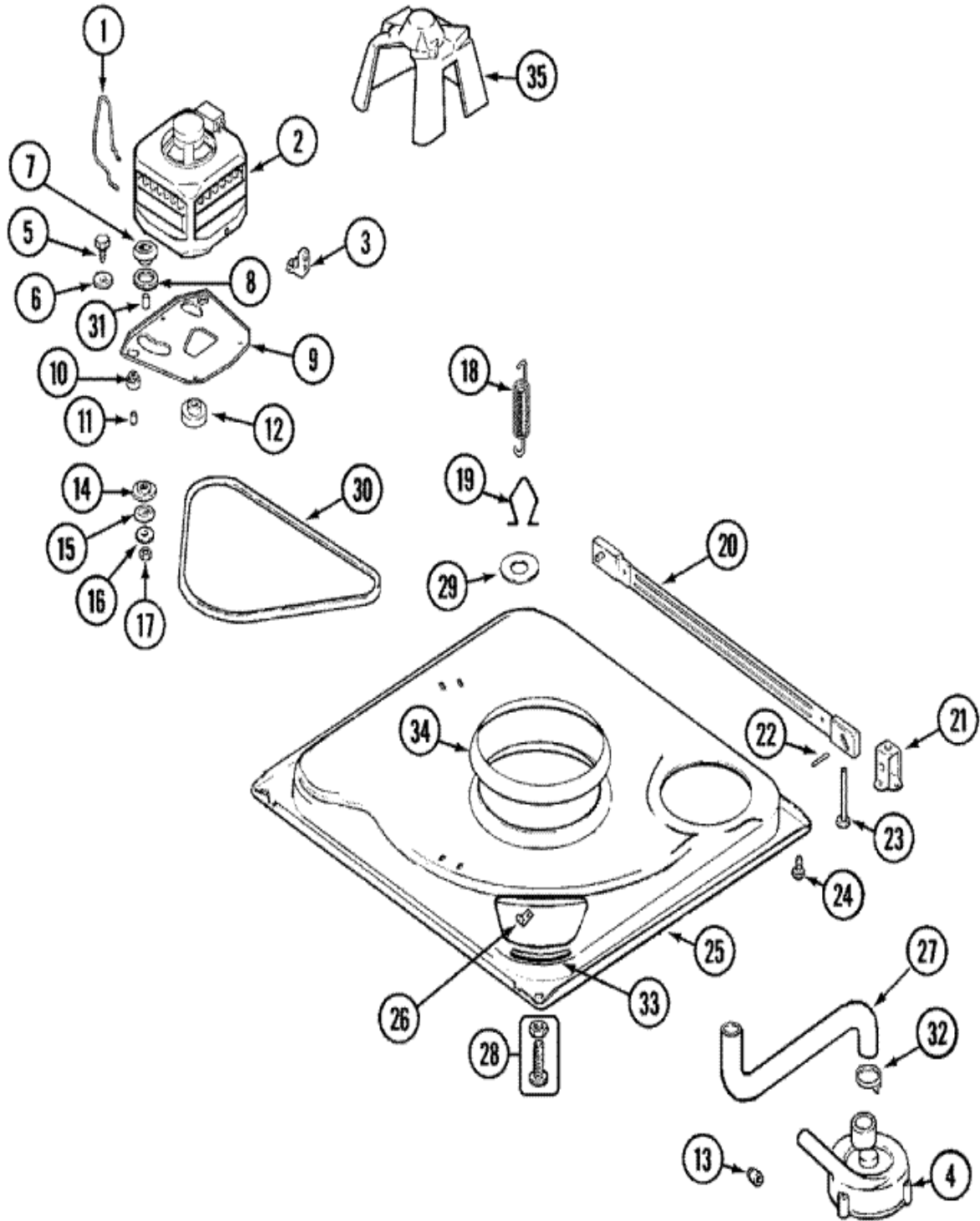


Distribuidor Autorizado

SurteRápido.com

Venta de Refacciones
Electrodomesticas

LNC6766A01 BASE





LNC6766A01 BASE

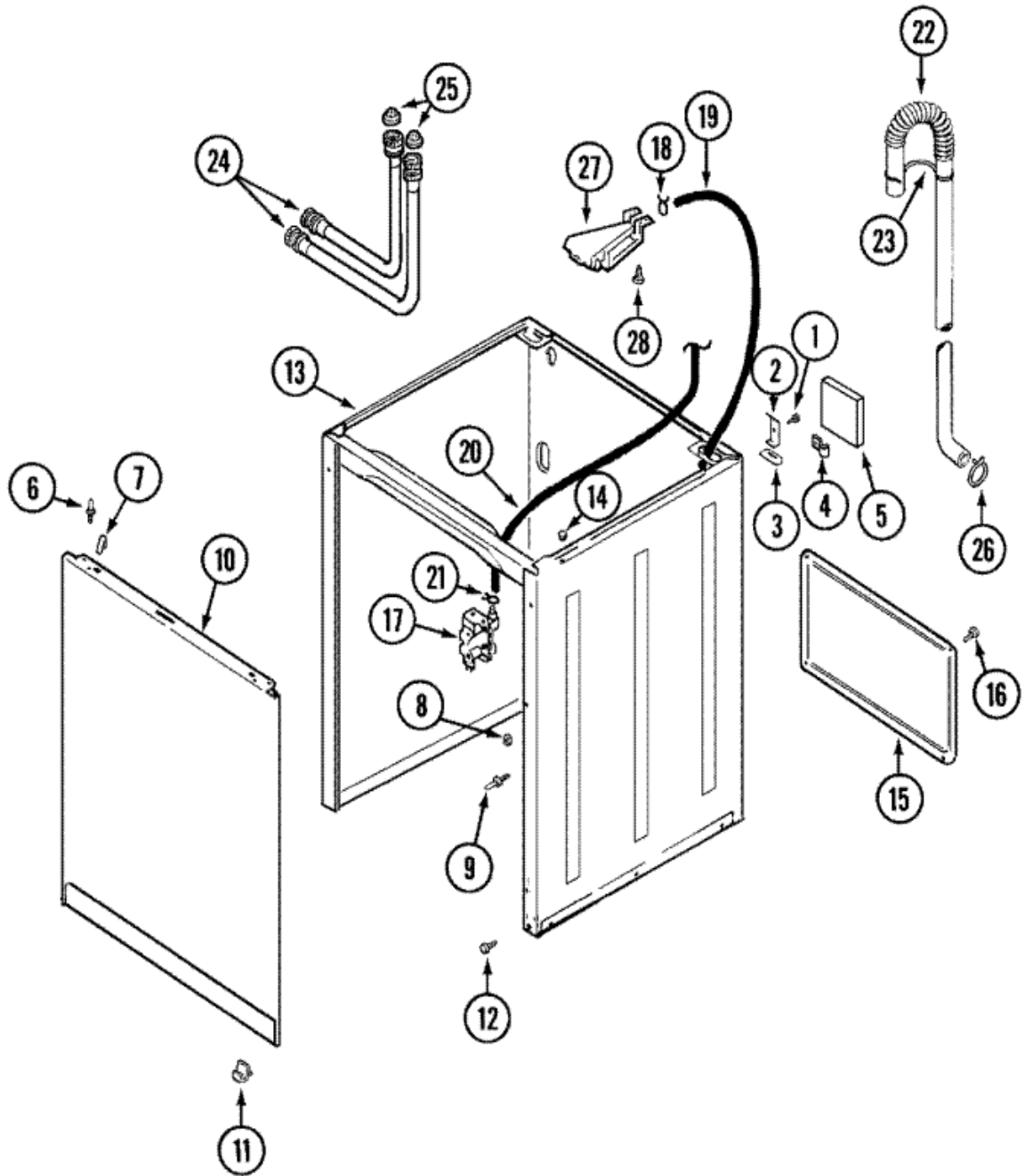
1	22004376	SPRING, MOTOR PIVOT
2	21001950	MOTOR & PULLEY ASSY.
3	21001486	SLIDE, FOOT (S/P)
4	21001906	PUMP ASSY (COMPLETE)
6	25-7834	WASHER (S/P)
7	33-9946	ISOLATOR, MOTOR
8	35-3570	WASHER, MOTOR PIVOT (S/P)
9	21001783	PLATE, MOTOR
10	35-3646	ISOLATOR, MOTOR PLATE (S/P)
11	25-7831	SPACER (S/P)
12	25-7117	SET SCREW (S/P)
12	3988894	PULLEY, MOTOR-60 HZ
13	35-2344	RESTRICTOR, FLOW (S/P)
14	35-3571	SLIDE, MOTOR PIVOT (S/P)
15	33-9967	WASHER, MOTOR ISOLATOR (S/P)
16	25-7047	WASHER, FLAT (S/P)
17	21002009	NUT, MOTOR PLATE ASY TO MOTOR (S/P)
18	21001598	SPRING, SUSPENSION
19	21001166	HOOK, SUSPENSION SPRING
20	21001881	BAR, STABILIZER (WITH GUIDE)
21	35-2046	BRACKET, STABILIZER
23	22004469	FOOT PAD ASSY. (REAR)
25	12002701	BASE (S/P)
26	25-7845	SPEEDNUT (S/P)
27	21001915	HOSE, TUB TO PUMP
28	35-3507	FOOT & PAD ASSY
29	Y25-7951	WASHER, SUSPENSION HOOK (S/P)
30	35-2279	BELT, DRIVE
30	35-2512	BELT SHIELD (S/P)
31	25-7830	SPACER
33	35-2065	PAD, MOTOR PLATE (S/P)
34	21002026	SNUBBER
35	22002721	SHIELD, MOTOR (S/P)

Distribuidor Autorizado

SurteRápido.com

Venta de Refacciones
Electrodomesticas

LNC6766A01 GABINETE





LNC6766A01 GABINETE

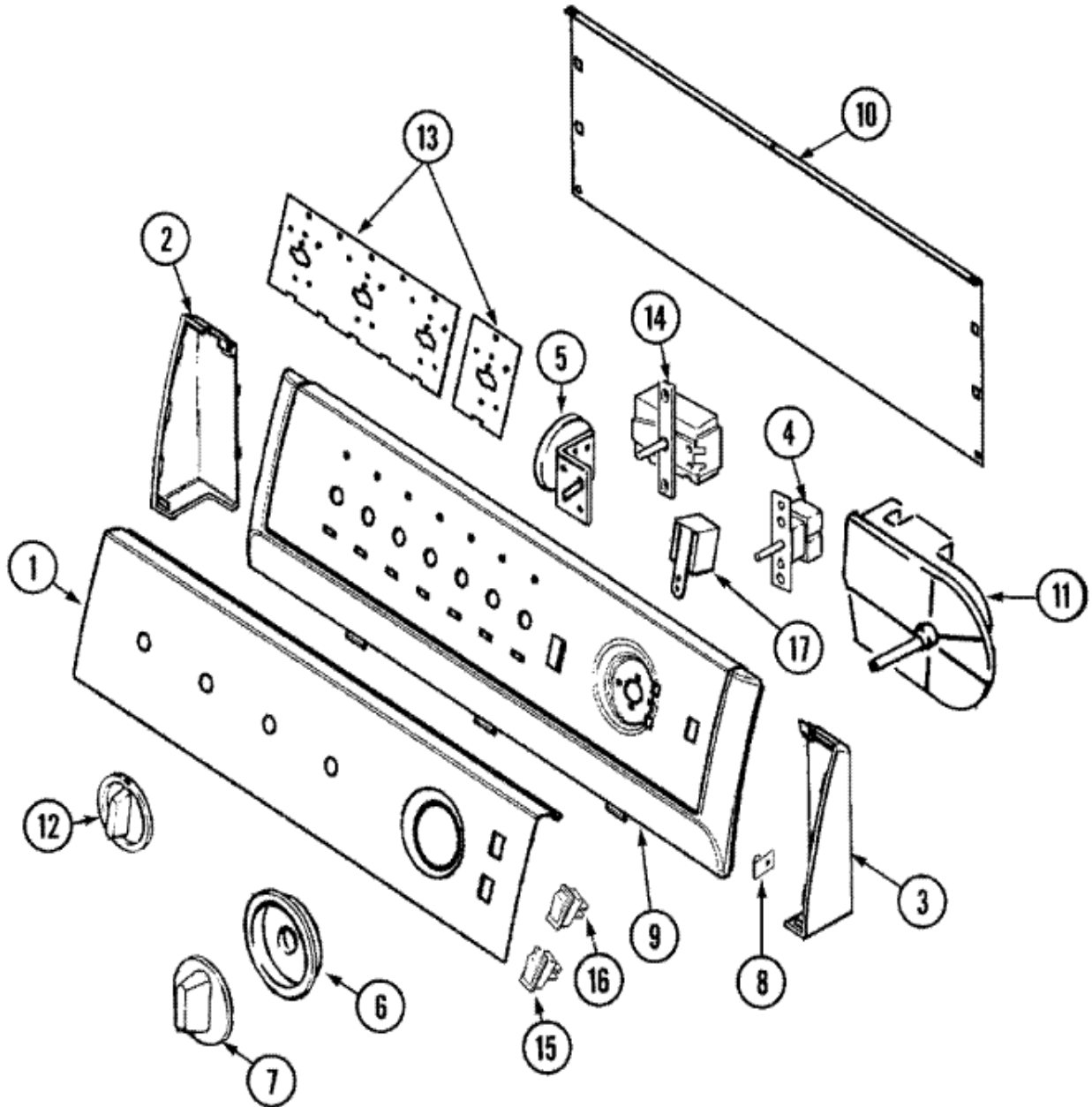
2	21001281	DAMPER, SOUND PAD (S/P)
2	35-2846	HINGE, CABINET TOP
3	35-4128	PAD, HINGE
4	25-7027	CLIP, WIRING (S/P)
5	35-0706	DESCONTINUADO
6	53-0643	PIN, LOCATOR (S/P)
7	25-7220	CLIP, CABINET TOP (S/P)
8	25-0224	NUT, LOCATOR PIN (S/P)
9	53-0200	SLEEVE, LOCATOR PIN (S/P)
9	53-0643	PIN, LOCATOR (S/P)
10	35-2084-24	PANEL, FRONT (ALM) (S/P)
11	25-7732	SCREW (S/P)
11	53-0120	CLIP, FRONT PANEL
12	35-4129	BUMPER, CABINET (S/P)
13	21001877	KIT, CABINET/REAR SHIELD (BSQ) (S/P)
14	33-2653	BUMPER, CABINET (S/P)
15	21001871	SHIELD, REAR(NLA, ORDER CAB KIT) (S/P)
16	25-7732	SCREW (S/P)
17	35-2374N	VALVE, WATER (120V) (S/P)
17	21001932	VALVE, WATER
18	25-7867	CLAMP (S/P)
19	12002749	HOSE, FLUME/DIVERTER (RUBBER) (S/P)
20	21001748	HOSE, PRESSURE SWITCH (S/P)
21	25-7796	CLAMP, PRESSURE SWITCH HOSE (S/P)
22	21001872	HOSE, DRAIN (CUFF)
23	22003814	RETAINER (S/P)
24	35-3401	HOSE, INLET (HOT) (S/P)
24	35-3400	HOSE, INLET (COLD) (S/P)
25	33-4264N	STRAINER & WASHER KIT (S/P)
26	25-7080	CLAMP, DISCHARGE HOSE (S/P)
27	35-2051	FLUME, WATER INLET

Distribuidor Autorizado

SurteRápido.com

Venta de Refacciones
Electrodomesticas

LNC6766A01 TABLERO

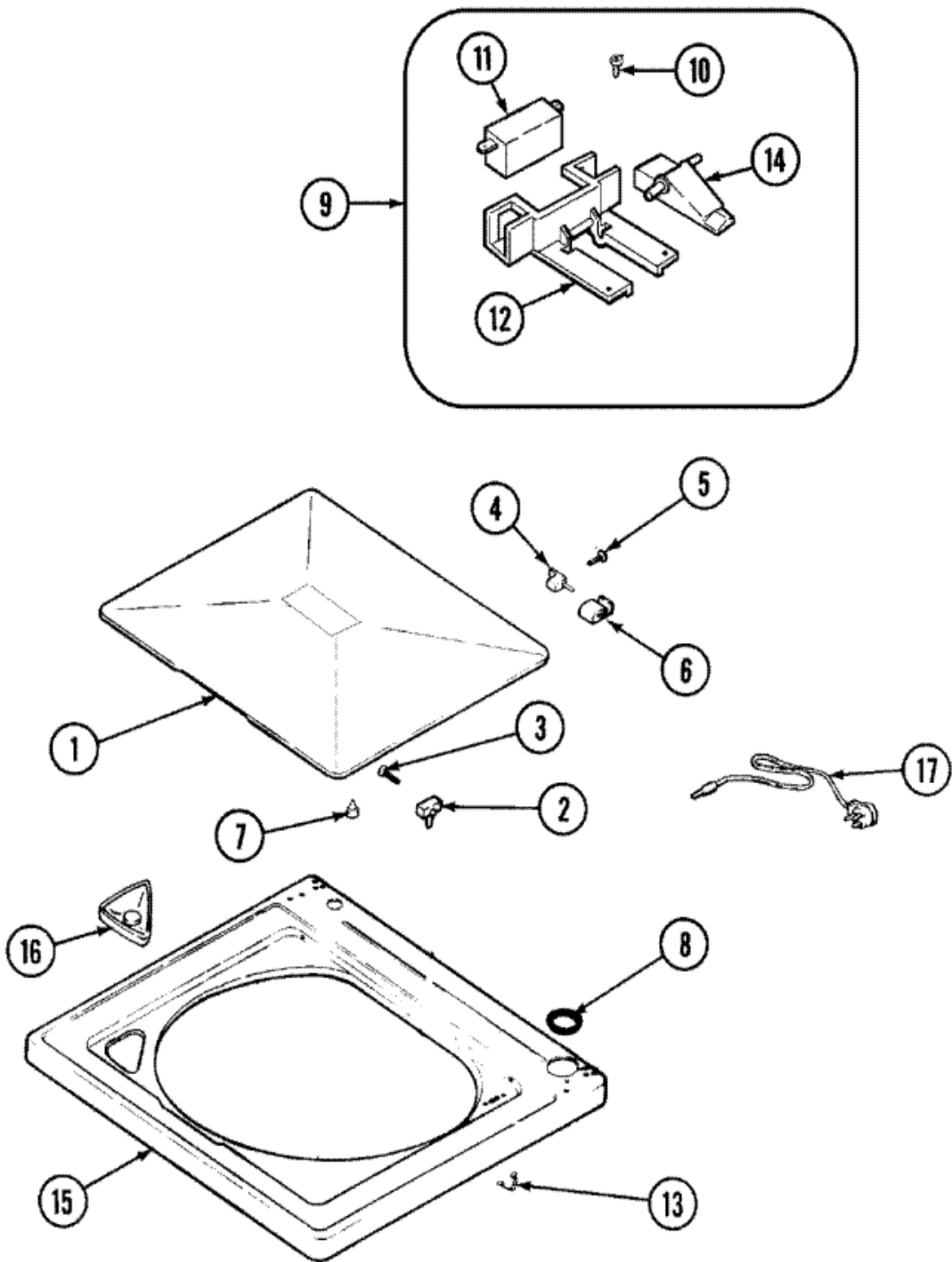




LNC6766A01 TABLERO

1	21001775	PANEL, CONTROL (BSQ) (S/P)
2	21001769	ENDCAP, PANEL (LT-BSQ) (S/P)
2	25-3092	SCREW (S/P)
3	21001768	ENDCAP, PANEL (RT-BSQ) (S/P)
3	25-3092	SCREW (S/P)
4	25-3092	SCREW (S/P)
4	21001226	SWITCH, WATER TEMP. 4 POSITION (S/P)
5	25-3092	SCREW (S/P)
5	21001554	SWITCH, WATER LEVEL
6	21001771	SKIRT, TIMER KNOB (BSQ)
7	21001770	KNOB, TIMER (BSQ)
8	25-7851	SPEEDCLIP, END CAP TO TOP (S/P)
9	21001767	FRAME (BSQ) (S/P)
10	25-3092	SCREW (S/P)
10	21001527	SHIELD, REAR (BACK PANEL) (S/P)
11	21001595	TIMER
11	25-3092	SCREW (S/P)
12	21001772	KNOB, SELECTOR (BSQ) (S/P)
12	21001544	KNOB, SELECTOR (WHT) (S/P)
13	21001517	SHIELD, CONTROL (1 POS.) (S/P)
13	31001193	PAD, SHIELD (S/P)
13	21001603	SHIELD, CONTROL (3 POS.) (S/P)
14	21001227	SWITCH, SPEED 4 POS ROTARY
15	21001776	SWITCH, ROCKER (BSQ) (S/P)
16	21001777	DESCONTINUADO
17	31001397	BUZZER (S/P)

LNC6766A01 TAPA





LNC6766A01 TAPA

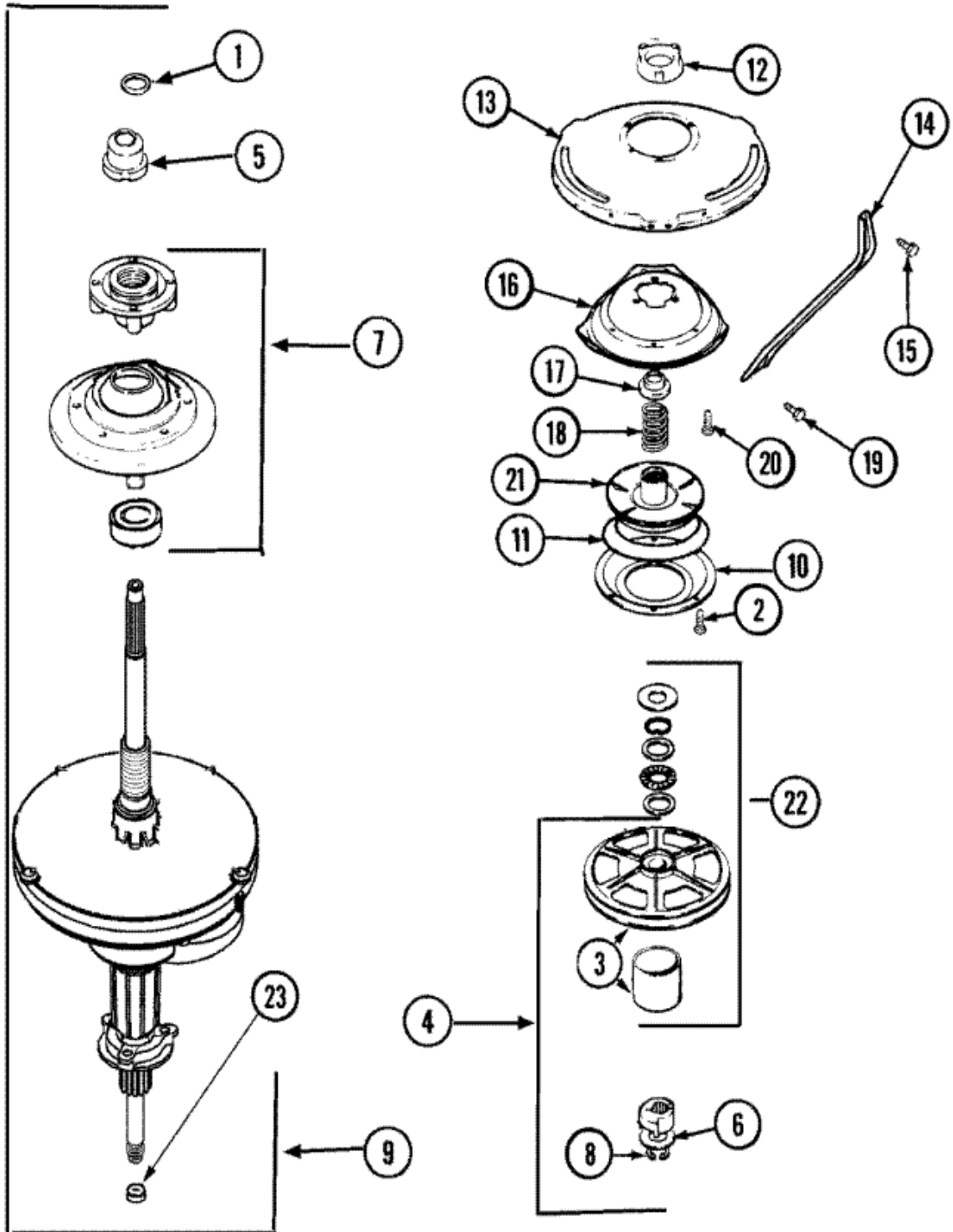
1	21001779	LID (BSQ) (S/P)
2	43-0057	ACTUATOR, DOOR SWITCH
3	25-7438	SCREW (S/P)
3	25-7436	NYLITE WASHER (S/P)
4	35-2045	PIN, HINGE
5	25-7893	SCREW (S/P)
6	35-2044	HINGE, LID
7	35-0581	BUMPER, DOOR (LID) (S/P)
8	35-2063	BUSHING, INSULATOR (S/P)
8	35-2064	BUSHING, INSULATING (S/P)
9	12001187	LID SWITCH ASSY.-W/LEADS
10	21001136	SCREW, SWITCH/HOUSING (S/P)
11	12001187	SWITCH, LID/DOOR SAFETY SPIN
12	21001135	HOUSING, LID SWITCH (S/P)
13	25-7878	CLIP
14	21001134	LEVER, LID SWITCH
15	21001778	TOP, CABINET (BSQ) (S/P)
16	21001597	DISPENSER, BLEACH (S/P)
17	21001592	CORD, POWER (S/P)

Distribuidor Autorizado

SurteRápido.com

Venta de Refacciones
Electrodomesticas

LNC6766A01 TRANSMISION

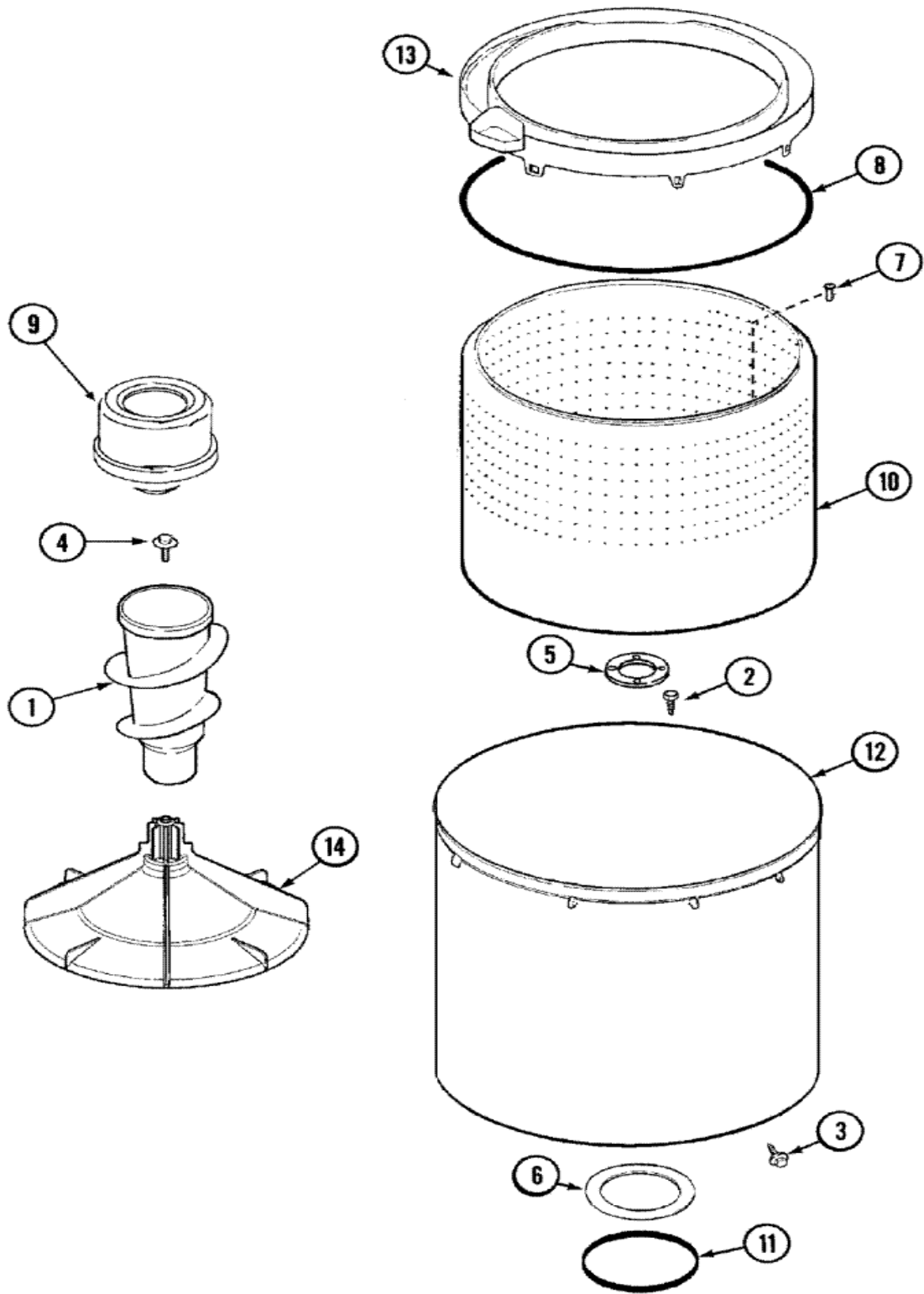




LNC6766A01 TRANSMISION

1	25-7941	``O`` RING
2	21001065	SCREW, No.10-24X.50 HXNIBHD (S/P)
3	12002213	KIT, PULLEY & DUST CAP
4	12002213	CAM REPLACEMENT KIT
5	21001533	SEAL NUT ASSEMBLY
6	35-2082	WASHER, 1.25ODX.530IDX.062
6	35-2132	WASHER, 1.25ODX.530IDX.032
7	21002237	SEAL HUB ASSEMBLY (HT TRAN)
8	25-7854	RING, RETAINING
9	21001867	HT TRANS/SEAL HUB ASSEMBLY
10	35-6918	STATOR, BRAKE
11	21002026	SNUBBER
12	35-2205	BEARING, SPIN
12	12001562	HOUSING/LWR.BEARING ASSY.
13	21001518	SUPPORT, TUB (S/P)
14	21001532	BRACE, TUB (S/P)
15	21001858	SCREW 5/16-18X1/2 (S/P)
16	21001163	HOUSING, SUSPENSION (S/P)
17	35-2017	RETAINER, BRAKE SPRING
18	21001910	SPRING, BRAKE
19	25-7930	SCREW 5/16-18X3/4 (S/P)
20	21001509	SCREW, HIGH PERFORMANCE PLASTIC (S/P)
21	35-2948	BRAKE ROTOR & LINING ASSY
22	12002213	THRUST BEARING KIT
23	207843	SEAL, TRANSMISSION HOUSING(LIP)

LNC6766A01 TINA





LNC6766A01 TINA

1	21001878	ASSY, AUGER & POST(ASPK-PRFP)
2	21001510	SCREW (S/P)
3	25-7953	SCREW (S/P)
4	25-7948	SCREW, AGITATOR RETENTION (S/P)
5	35-3685	GASKET, BASKET TO CENTERPOST (S/P)
6	35-3686	GASKET, TUB TO HOUSING (S/P)
7	25-7967	SCREW, SHOULDER (S/P)
8	35-2328	SEAL, TUB TOP (S/P)
9	21001905	DISPENSER, FABRIC (ONE PIECE)
10	21001529	BASKET ASSEMBLY (PLASTIC) (S/P)
11	35-2978	SEAL, TUB/HOUSING (S/P)
12	35-3700	TUB ASSEMBLY (PLASTIC) (S/P)
13	21001531	TOP, TUB (PLASTIC)
14	21001530	BASE, AGITATOR