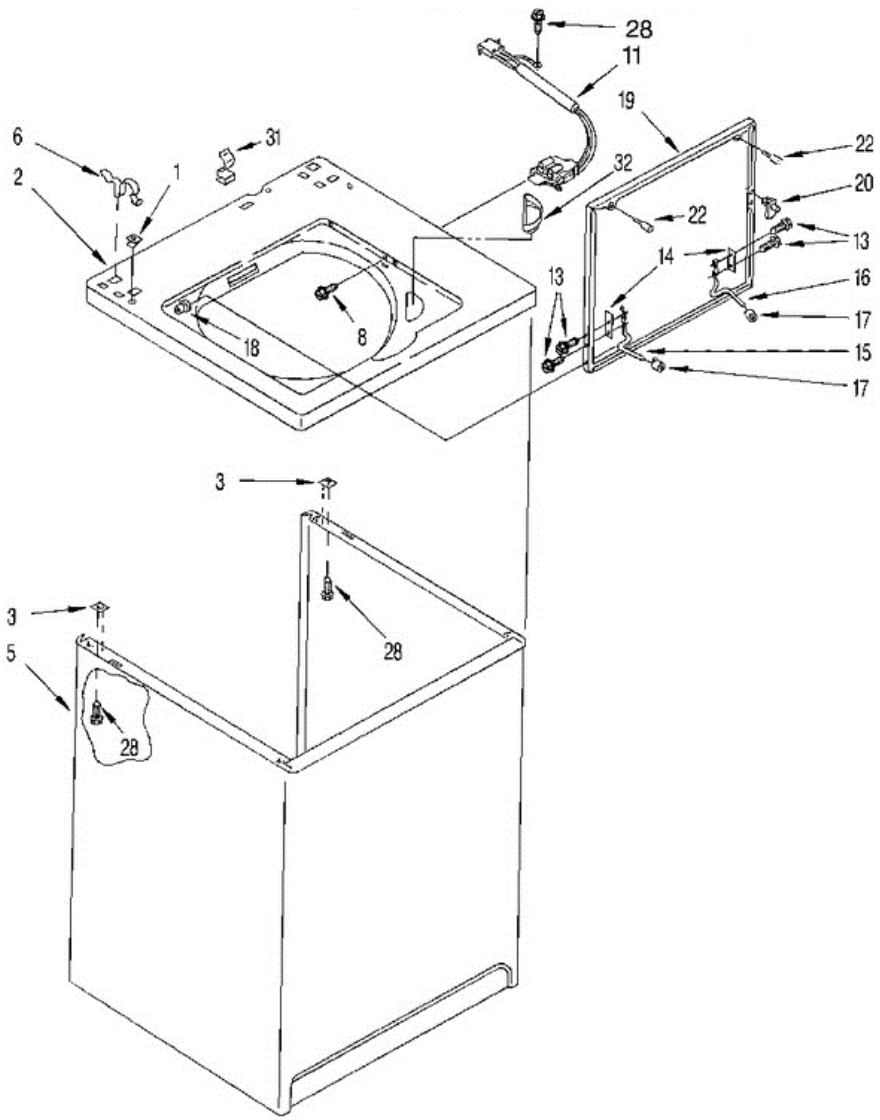


LSC6244AQ0 GABINETE





LSC6244AQ0 GABINETE

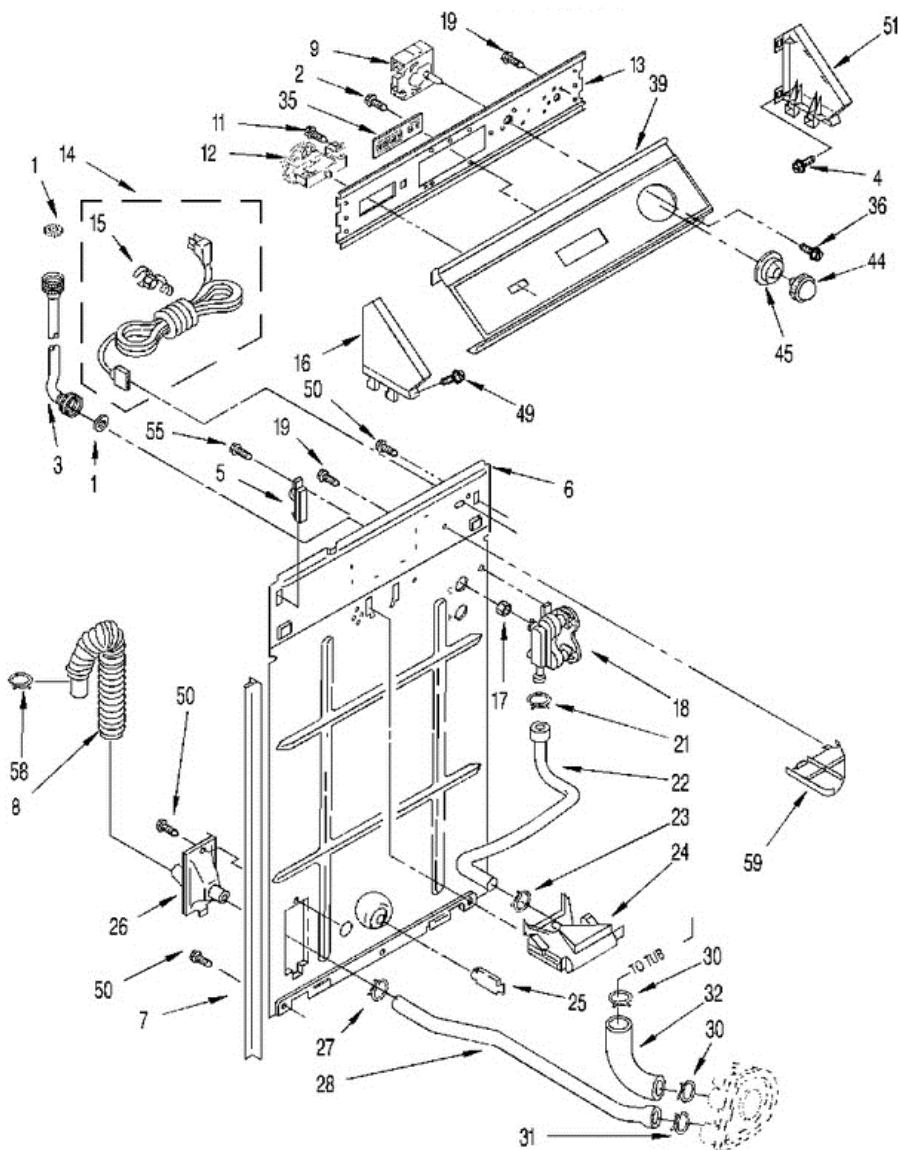
1	357213	NUT, PUSH-IN (2)
2	3358200	TOP (FOR WHITE & DESIGNER WHITE MODELS)
2	3358201	TOP (FOR ALMOND & DESIGNER ALMOND MODELS)
3	62750	SPACER, CABINET TO TOP (4)
5	63424	CABINET (FOR WHITE & DESIGNER WHITE)
5	63425	CABINET (FOR ALMOND & DESIGNER ALMOND)
6	62780	CLIP, TOP & CABINET & REAR PANEL (2)
8	3356311	SCREW & WASHER, LID SWITCH (2)
11	3352629	SWITCH, LID
13	3351355	SCREW, LID HINGE MOUNTING (4)
14	21097	PAD, LID HINGE (2)
15	54584	HINGE, LID (L.H.)
16	54583	HINGE, LID (R.H.)
17	19119	BUMPER, LID HINGE
18	21258	BEARING, LID HINGE (2)
19	3351659	LID (FOR WHITE & DESIGNER WHITE MODELS)
19	3351660	LID (FOR ALMOND & DESIGNER ALMOND MODELS)
20	358684	STRIKE, LID SWITCH
22	93770	BUMPER, LID (2)
28	384435	SCREW, 10-16 X 1/2 (5)
31	90016	CLIP, HARNESS
32	63401	DISPENSER, BLEACH

Distribuidor Autorizado

SurteRápido.com

Venta de Refacciones
Electrodomesticas

LSC6244AQ0 TABLERO

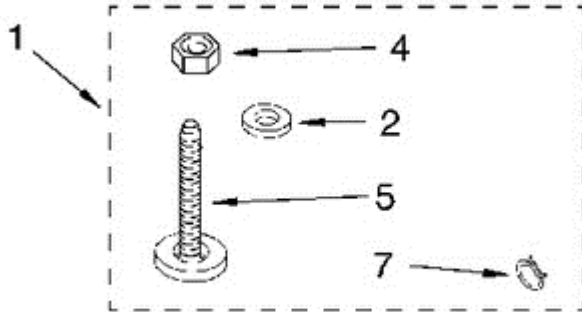




LSC6244AQ0 TABLERO

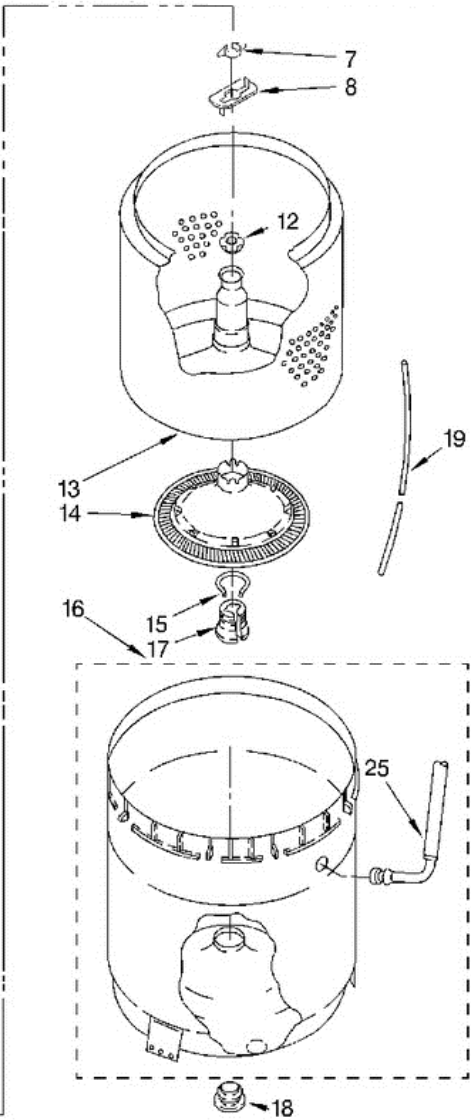
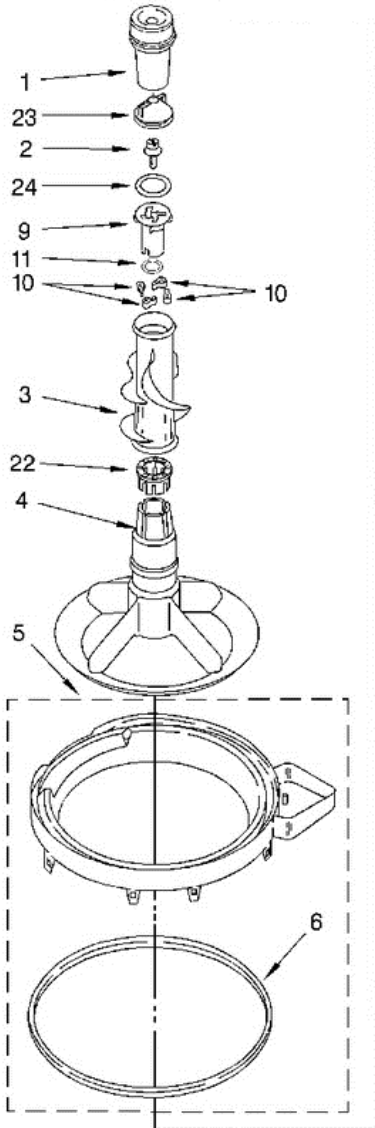
1	16123	WASHER, WATER INLET HOSE (4) (1-1/16 X 5/8)
2	3397537	SCREW, 8-18 X 7/8
3	3354858	HOSE, WATER INLET (2)
4	90767	SCREW, 8A X 3/8
5	387402	HINGE, CONSOLE (2)
6	3357978	PANEL, REAR
7	62747	PAD, REAR PANEL
8	3357090	EXTENSION, DRAIN HOSE (21 INCHES) (NOT INCL.)
8	661575	HOSE, DRAIN (5 1/2 FT.)
8	661577	HOSE, DRAIN (10 FT.) (NOT INCLUDED)
9	3358746	TIMER, CONTROL (60 HZ.)
11	3390646	SCREW, 8-18 X 5/16
12	3357480	SWITCH, WATER LEVEL (FOR DESIGNER ALMOND)
12	3357481	SWITCH, WATER LEVEL (FOR DESIGNER WHITE)
12	3357482	SWITCH, WATER LEVEL (FOR WHITE & ALMOND)
13	3358890	BRACKET, CONTROL
14	62734	CORD, POWER
15	63848	STRAIN RELIEF, POWER CORD
16	3358531	CAP, END (L.H.) (FOR WHITE & DESIGNER WHITE)
16	3358532	CAP, END (L.H.) (FOR ALMOND & DESIGNER)
17	96160	SCREEN, FILTER (2)
18	358992	VALVE, WATER MIXING
19	90864	SCREW, 10-24 X 3/8 (2)
21	272846	(ALT.)
21	353367	(ALT.)
21	660632	CLAMP, HOSE
22	3357328	HOSE, VACUUM BREAK
23	371503	CLAMP, HOSE
24	387606	BREAK, VACUUM
25	63290	SUPPORT, REAR PANEL
26	3355497	CONNECTOR, DRAIN HOSE
27	356138	CLAMP, HOSE
28	3359818	HOSE, PUMP TO DRAIN CONNECTOR

30	371502	CLAMP, HOSE
31	272858	(ALT.)
31	353097	(ALT.)
31	370447	(ALT.)
31	660628	CLAMP, HOSE
32	62731	HOSE, PUMP TO TUB
35	3359475	SWITCH, TOUCH-PAD (6) (FOR WHITE & ALMOND)
35	3359476	SWITCH, TOUCH-PAD (6) (FOR DESIGNER WHITE)
35	3359477	SWITCH, TOUCH-PAD (6) (FOR DESIGNER ALMOND)
36	96435	SCREW, TIMER MOUNTING (10-32 X 1) (2)
39	3359270	PANEL, CONSOLE (FOR WHITE MODEL)
39	3359271	PANEL, CONSOLE (FOR ALMOND MODEL)
39	3359289	PANEL, CONSOLE (FOR DESIGNER WHITE MODEL)
39	3361593	PANEL, CONSOLE (FOR DESIGNER ALMOND)
44	3358416	KNOB, TIMER (FOR WHITE & ALMOND MODELS)
44	3358417	KNOB, TIMER (FOR DESIGNER WHITE MODEL)
44	3358420	KNOB, TIMER (FOR DESIGNER ALMOND MODEL)
45	3358446	DIAL, TIMER (FOR WHITE & ALMOND MODELS)
45	3358447	DIAL, TIMER (FOR DESIGNER WHITE MODEL)
45	3358448	DIAL, TIMER (FOR DESIGNER ALMOND MODEL)
49	3353145	SCREW, 8-18 (2) (PANEL TO TOP)
50	62863	SCREW, 10-16 X 3/8
51	3358516	CAP , END (R.H.) (FOR WHITE & DESIGNER WHITE)
51	3358517	CAP , END (R.H.) (FOR ALMOND & DESIGNER)
55	3357011	SCREW, 10-16 X ½
58	3357331	CLAMP, DRAIN HOSE
59	3348424	SHEILD, SUDS



1	3359460	MISCELLANEOUS PARTS BAG
2	16123	WASHER, INLET HOSE (1-1/16 X 5/8) (4)
4	3359452	NUT, LOCK (3/8-16)
5	389102	FOOT, FRONT (2)
7	356138	CLAMP, HOSE

LSC6244AQ0 TINAS

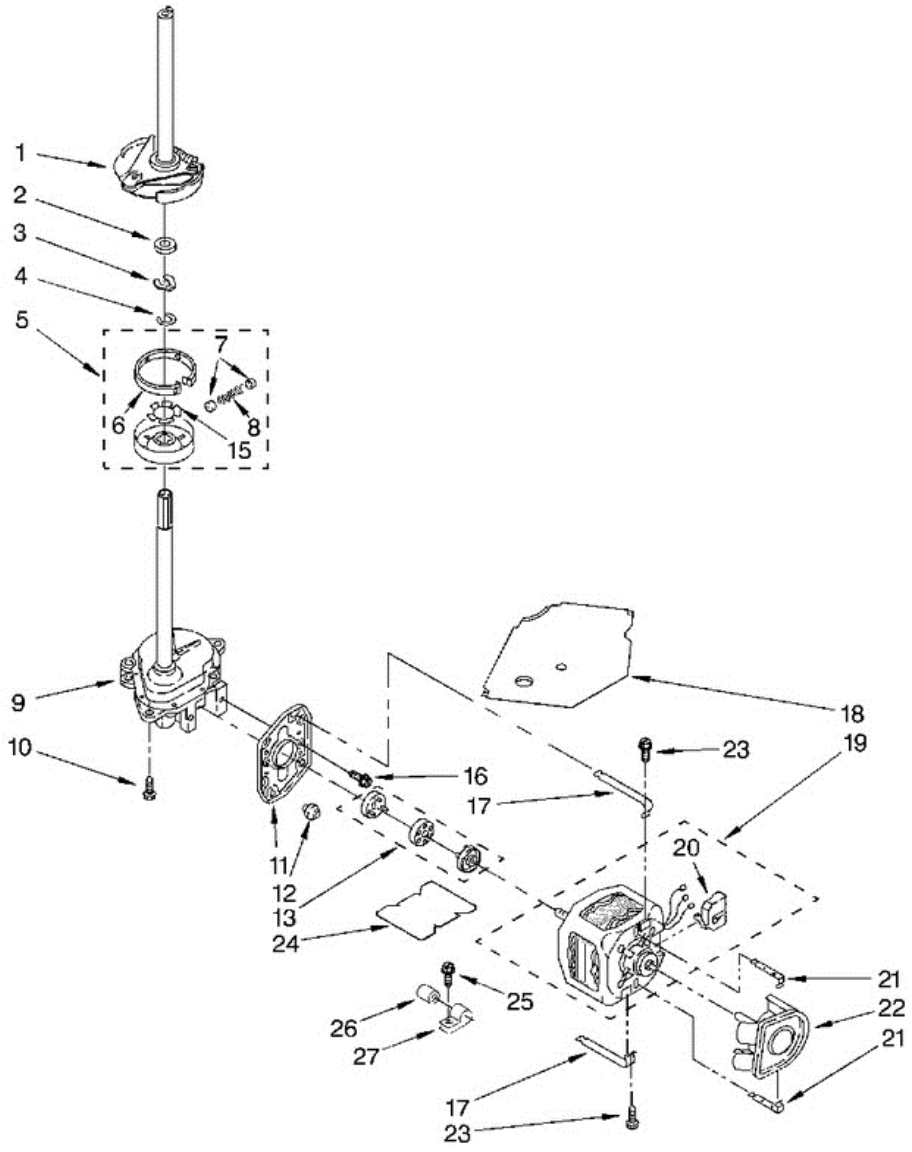




LSC6244AQ0 TINAS

1	63580	DISPENSER
2	358237	SCREW & WASHER (5-16-24 X 1)
3	3348752	CLOTHES MOVER
4	3347288	AGITATOR
5	63851	TUB RING & GASKET
6	3359585	GASKET, TUB RING
7	3354845	CLIP, AGITATOR
8	3355921	WASHER, AGITATOR
9	3351001	CAM DRIVEN
10	387091	DOG, AGITATOR CLUTCH
11	357574	SEAL, AGITATOR
12	21366	NUT, SPANNER
13	3350649	BASKET & BALANCE RING
14	62941	FILTER, PLATE (INCLUDES ILLUS. 15)
15	62942	LOCK, FILTER
16	388893	TUB (INCLUDES ITEM 25)
17	389140	BLOCK, BASKET DRIVE
18	383727	GASKET, CENTERPOST
19	3347780	HOSE, PRESSURE SWITCH
22	3350389	SPACER, THRUST
23	3347290	CAP, BARRIER
24	3348855	SEAL-INNER CAP
25	3358198	HOSE, BLEACH

LSC6244AQ0 MOTOR

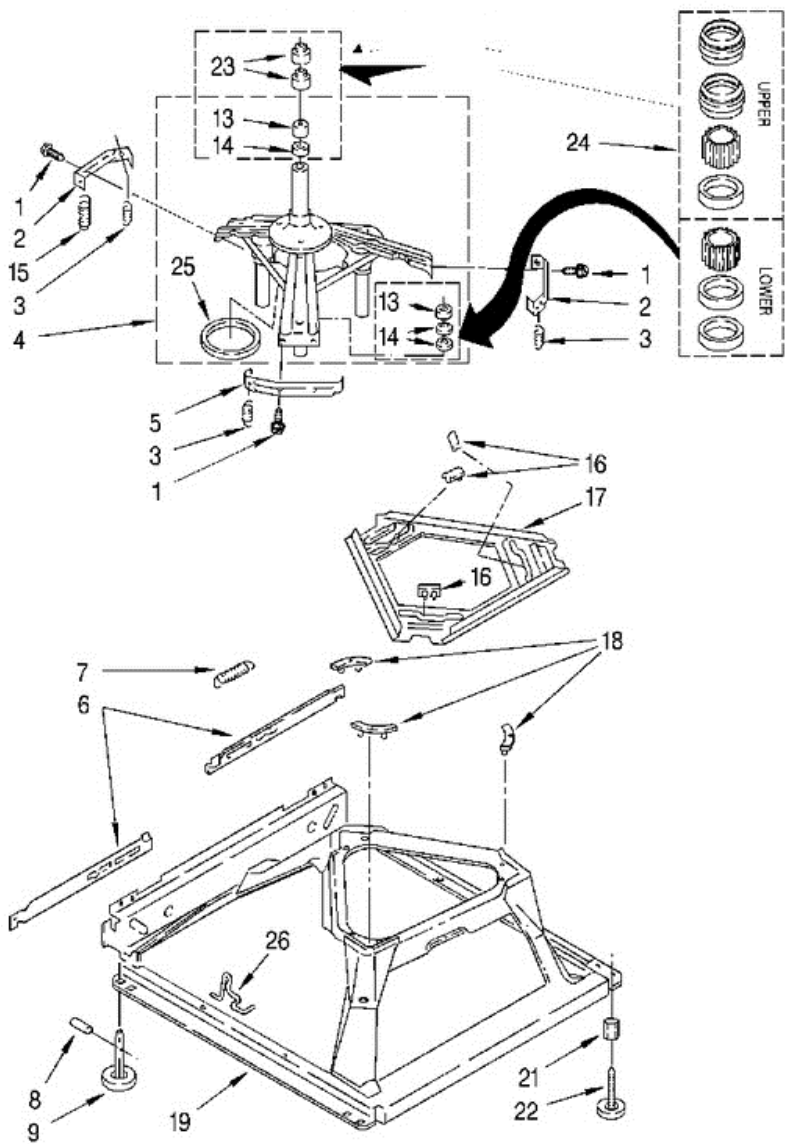




LSC6244AQ0 MOTOR

1	388952	BRAKE & DRIVE TUBE (COMPLETE)
2	63292	WASHER, SPIN TUBE THRUST
3	62697	RING, SPIN TUBE SUPPORT
4	63283	RING, RETAINER
5	3350115	CLUTCH (COMPLETE)
6	388190	BAND & LINING, CLUTCH (INCLUDES ILLUS. 7 & 8)
7	62646	CAP, CLUTCH SPRING (2)
8	3354731	SPRING, CLUTCH
9	3360630	GEARCASE (COMPLETE)
10	3357334	SCREW, GEARCASE TO BASE (3)
11	62611	PLATE, MOTOR MOUNT TO GEARCASE
12	62691	GROMMET, MOTOR (4)
13	62693	COUPLING, MOTOR & ISOLATION
15	3355454	CLIP, ANTI-RATTLE
16	3357334	SCREW
17	3349637	RETAINER, MOTOR (2)
18	3349282	SHIELD, TUB TO MOTOR
19	3349644	MOTOR, MAIN DRIVE
20	62850	SWITCH, MAIN DRIVE MOTOR
21	62700	RETAINER, PUMP (2)
22	3352492	PUMP (COMPLETE)
23	3387485	SCREW, 10-16 X 5/8
24	3351341	SHIELD, MOTOR
25	9420601	SCREW, 10-16X5/16
26	357021	CAPACITOR
27	357030	CLAMP, CAPACITOR

LSC6244AQ0 BASE

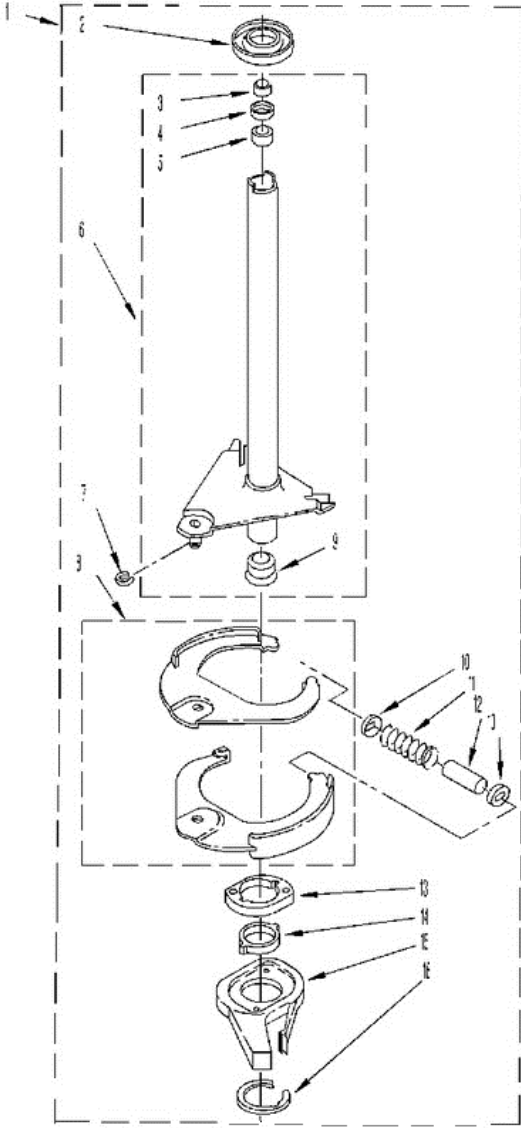




LSC6244AQ0 BASE

1	98610	SCREW, BRACKET MOUNTING (10-16 X 5/8) (6)
2	64067	BRACKET, SPRING OUTER (2)
3	63907	SPRING, SUSPENSION (3)
4	389350	SUPPORT & BRAKE, TUB
5	64065	BRACKET, SPRING OUTER (L.F.)
6	3348727	LINK, LEVELING MECHANISM (2)
7	62597	SPRING, LEVELING MECHANISM
8	62837	PIN, KNURLED
9	62596	FOOT, REAR (2)
13	3347047	BEARING, CENTERPOST (2)
14	357409	SEAL, CENTERPOST (3)
15	388492	SPRING, COUNTERWEIGHT
16	62568	PAD, PLATE
17	389299	PLATE, SUSPENSION (INCLUDES ILLUS. 16)
18	62602	PAD, BASE
19	3359886	BASE ASSEMBLY (INCLUDES , 6, 7, 8, 9, 18 & 26)
21	3359452	NUT, LOCK (3/8-16)
22	389102	FOOT, FRONT (2)
23	356934	SEAL, CENTERPOST (2)
24	285203	CENTERPOST BEARING KIT (INCL 13, 14 & 23)
25	63134	RING, SOUND DEADENING
26	63806	RETAINER, SUSPENSION SPRING

LSC6244AQ0 FLECHA HUECA

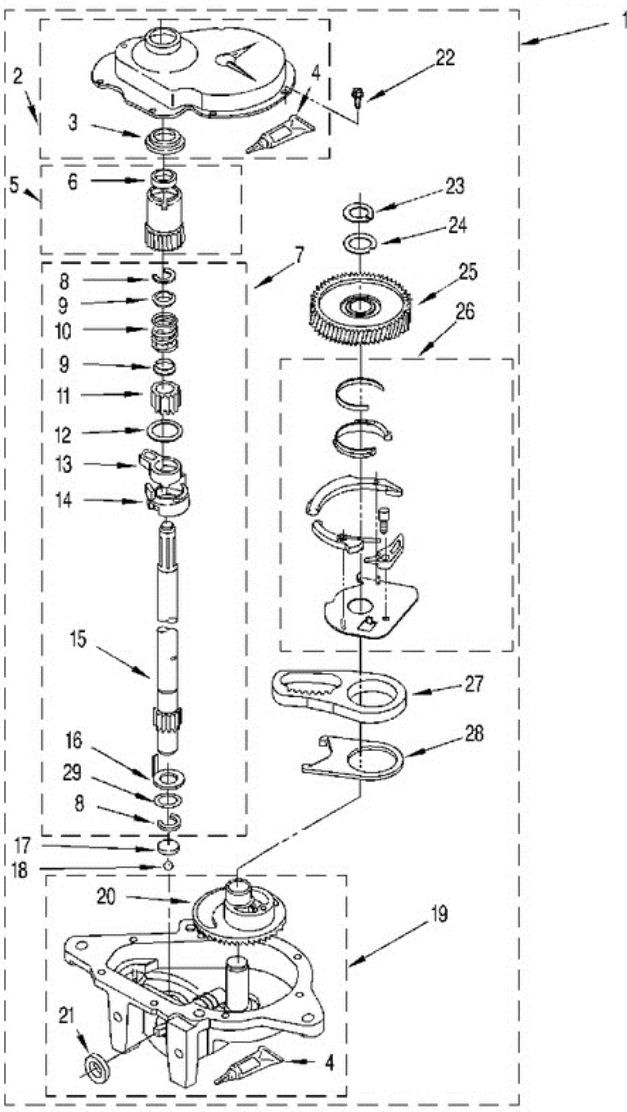




LSC6244AQ0 FLECHA HUECA

1	388952	BRAKE AND DRIVE TUBE (COMPLETE)
2	62658	RING, THRUST
3	91939	SEAL. OIL
4	356427	SEAL, DRIVE TUBE
5	356937	SPACER, DRIVE TUBE
6	64027	TUBE, BASKET DRIVE (INCLUDES ILLUS. 3, 4, 5 & 9)
7	64035	RING, RETAINING
8	64232	SHOE, BRAKE
9	62703	``T`` BEARING, SPIN TUBE
10	62648	CAP, BRAKE SPRING (2)
11	387806	SPRING, BRAKE
12	62909	SLEEVE, BRAKE SPRING
13	63023	CAM, BRAKE RELEASE
14	63022	SLEEVE, CAM
15	64194	DRIVER, BRAKE CAM
16	285208	LUBRICANT
16	90368	RING, RETAINING

LSC6244AQ0 TRANSMISION





LSC6244AQ0 TRANSMISION

1	3360630	GEARCASE (COMPLETE)
2	62685	COVER, GEARCASE
3	62787	SEAL, GEARCASE COVER
4	285195	SEALER, GASKET (.20 FL. OZ.) (6 ML)
5	63320	PINION, SPIN (INCLUDES ITEM 25)
6	356427	SEAL, SPIN PINION
7	389243	SHAFT, AGITATOR (COMPLETE)
8	90369	RING, RETAINING (2)
9	62677	RETAINER, SPRING (2)
10	62676	SPRING, AGITATOR
11	62533	GEAR, AGITATOR
12	62619	WASHER, AGITATOR GEAR
13	62580	CAM FOLLOWER
14	62581	CAM, AGITATE
15	389240	SHAFT, AGITATOR
16	62618	WASHER, CAM THRUST
17	16018	BEARING, THRUST
18	85529	BALL, BEARING
19	389229	BOTTOM AND PINION, GEARCASE
20	3360263	GEAR, MAIN DRIVE
21	285352	SEAL, THRUST PLUG
22	90864	SCREW, GEARCASE COVER MOUNTING (8)
23	95082	RING, RETAINING
24	285292	WASHER KIT, THRUST
25	62570	GEAR, SPIN
26	388253	NEUTRAL ASSEMBLY
27	62534	RACK, CONNECTING
28	62621	ACTUATOR, SHIFT
29	388815	WASHER, INTERMEDIAT