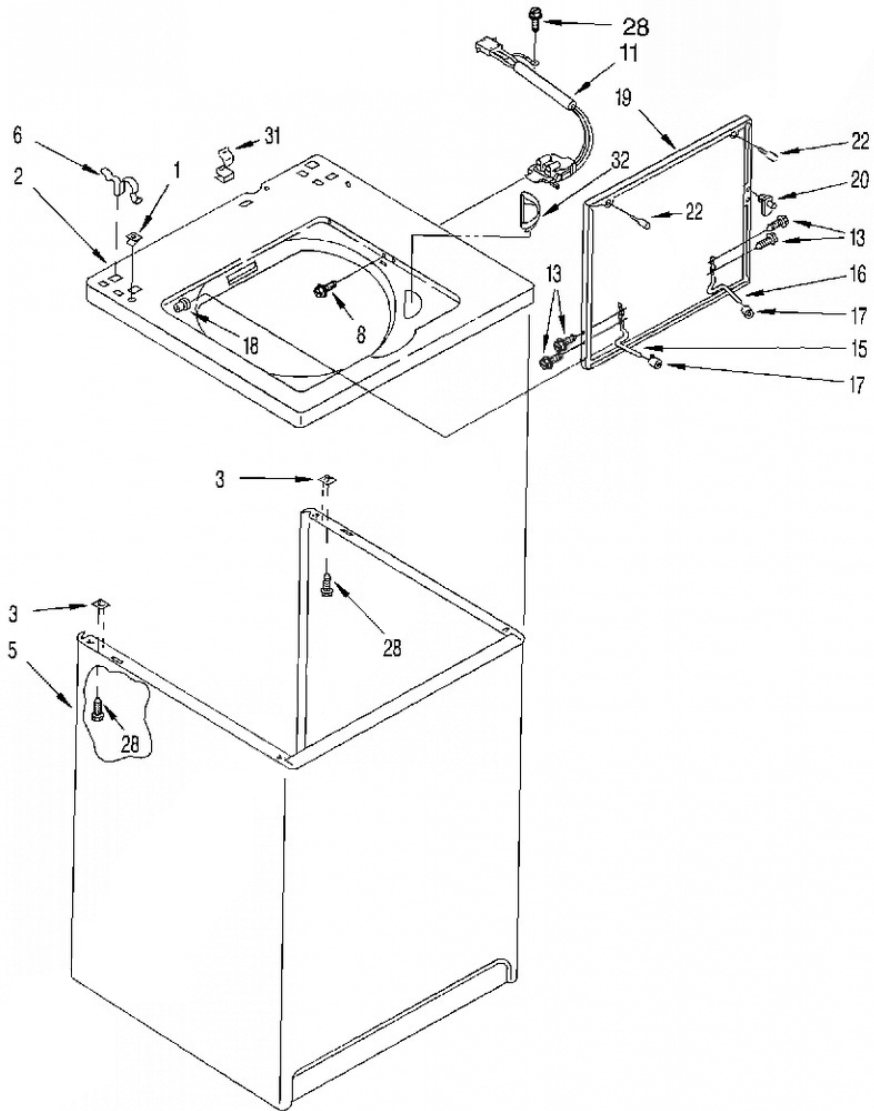


LSC9245BQ0 GABINETE





LSC9245BQ0 GABINETE

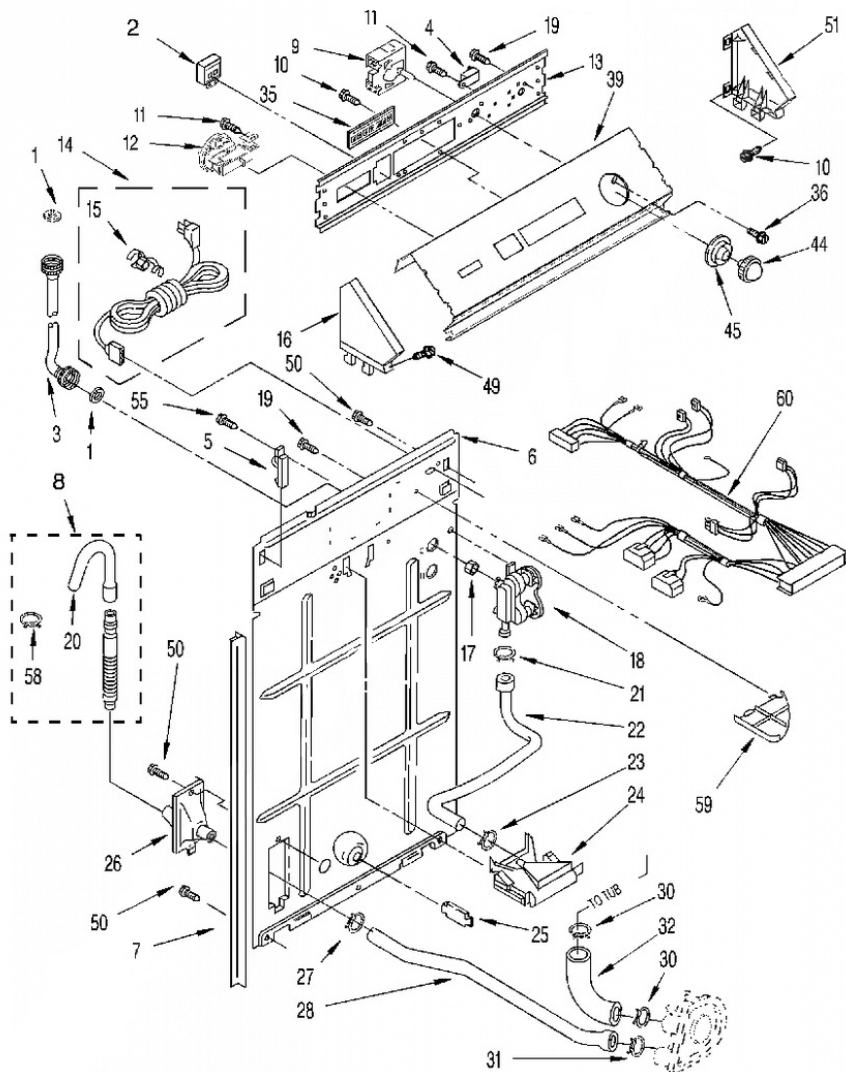
1	357213	NUT, PUSH-IN (2) (S/P)
2	3949476	TOP (FOR WHITE MODEL) (S/P)
2	3949477	TOP (FOR ALMOND MODEL) (S/P)
3	62750	SPACER, CABINET TO TOP (4) (S/P)
5	63425	CABINET (FOR ALMOND MODEL)
5	63424	CABINET (FOR WHITE MODEL) (S/P)
6	62780	CLIP, TOP & CABINET & REAR PANEL (2)
8	3356311	SCREW & WASHER, LID SWITCH (2) (S/P)
11	285671	SWITCH, LID
13	3351355	SCREW, LID HINGE MOUNTING (4) (S/P)
15	54584	HINGE, LID (L.H.) (S/P)
16	54583	HINGE, LID (R.H.) (S/P)
17	19119	BUMPER, LID HINGE (S/P)
18	21258	BEARING, LID HINGE (2) (S/P)
19	3957563	LID (FOR WHITE MODEL) (S/P)
19	3957564	LID (FOR ALMOND MODEL) (S/P)
20	358684	STRIKE, LID SWITCH
22	93770	BUMPER, LID (2)
28	384435	SCREW, 10-16 X 1/2 (5) (S/P)
31	90016	CLIP, HARNESS (S/P)
32	3362952	DISPENSER, BLEACH

Distribuidor Autorizado

SurteRápido.com

Venta de Refacciones
Electrodomesticas

LSC9245BQ0 TABLERO



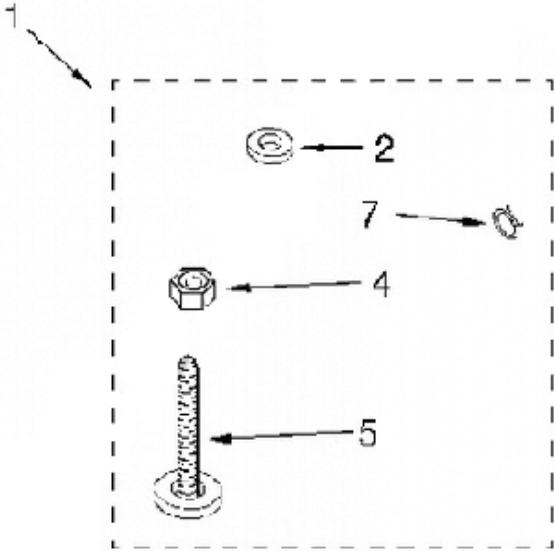


LSC9245BQ0 TABLERO

1	16123	WASHER, WATER INLET HOSE (4) (S/P)
2	3360449	SWITCH, TOUCH-PAD (2) (S/P)
2	3360450	SWITCH, TOUCH-PAD (2) (S/P)
3	89503	HOSE, WATER INLET (2)
4	694419	MINI BUZZER (S/P)
5	387402	HINGE, CONSOLE (2)
6	3357978	PANEL, REAR (S/P)
7	62747	PAD, REAR PANEL (S/P)
8	285664	HOSE, DRAIN (4` - 8``)
8	661577	HOSE, DRAIN (9` - 9) (NOT INCLUDED) (S/P)
8	285702	EXTENSION DRAIN HOSE (21 INCHES.) (S/P)
9	3946449	TIMER, CONTROL (60 HZ.
10	90767	SCREW, 8A X 3/8 (S/P)
11	3390646	SCREW, 8-18 X 3/8 (S/P)
12	3357482	SWITCH,WATER LEVEL (S/P)
12	3357481	SWITCH,WATER LEVEL (S/P)
13	3361233	BRACKET, CONTROL (S/P)
14	285800	CORD, POWER
15	285777	STRAIN RELIEF, POWER CORD (S/P)
16	285846	CAP, END (L.H.) (FOR WHITE MODEL)
16	285848	CAP, END (L.H.) (FOR ALMOND MODEL) (S/P)
17	96160	SCREEN, FILTER (2) (S/P)
18	285805	VALVE, WATER MIXING
19	90864	SCREW, 10-24 X 3/8 (2) (S/P)
20	3357027	NOZZLE, DRAIN HOSE (S/P)
21	596669	CLAMP, HOSE (S/P)
22	3357328	HOSE, VACUUM BREAK
23	596669	CLAMP, HOSE (S/P)
24	3360977	BREAK, VACUUM
25	8519200	SUPPORT, REAR PANEL
26	3976399	CONNECTOR, DRAIN HOSE (S/P)
27	356138	CLAMP, HOSE (S/P)
28	3348552	HOSE, PUMP TO DRAIN CONNECTOR

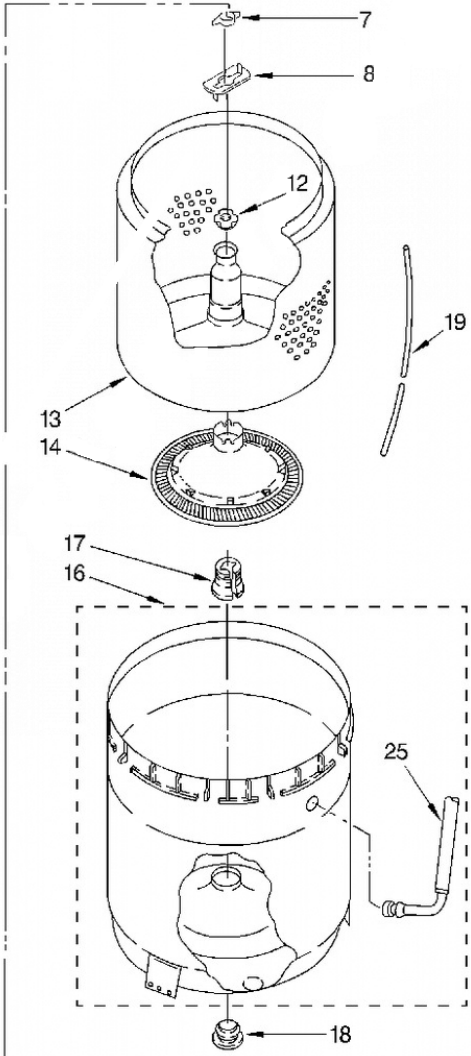
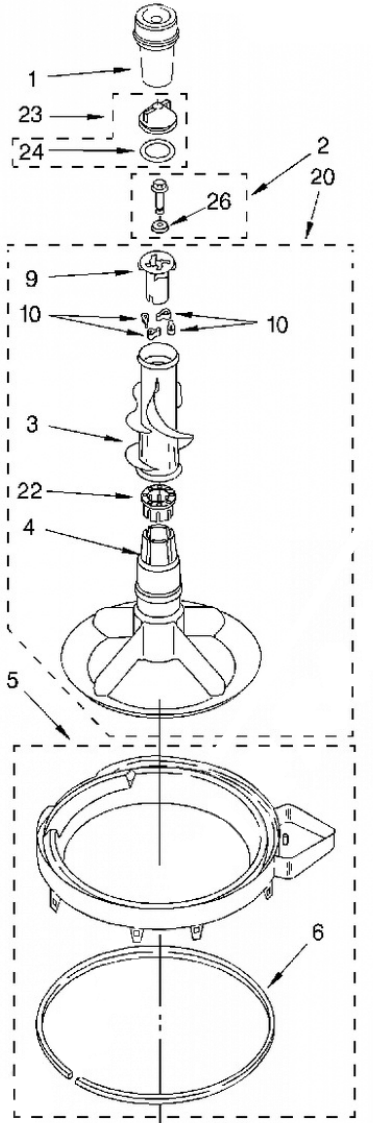
30	371502	CLAMP, HOSE (S/P)
31	285655	CLAMP, HOSE (S/P)
32	285871	HOSE, PUMP TO TUB
35	3359558	SWITCH, TOUCH-PAD (8) (S/P)
35	3359557	SWITCH, TOUCH-PAD (8) (S/P)
36	96435	SCREW, TIMER MOUNTING (10-32 X 1) (2) (S/P)
39	3364052	PANEL, CONSOLE (FOR WHITE MODEL) (S/P)
39	3361521	PANEL, CONSOLE (FOR ALMOND MODEL) (S/P)
44	3364291	KNOB, TIMER (FOR WHITE MODEL)
44	3364293	KNOB, TIMER (FOR ALMOND MODEL)
45	280193	DIAL, TIMER (FOR ALMOND MODEL)
45	3358447	DIAL, TIMER (FOR WHITE MODEL) DESCONTINUADO
49	3353145	SCREW, 8-18 (2) (PANEL TO TOP) (S/P)
50	62863	SCREW, 10-16 X 3/8 (S/P)
51	285848	CAP, END (R.H.) (FOR ALMOND MODEL) (S/P)
51	285846	CAP, END (R.H.) (FOR WHITE MODEL)
55	3357011	SCREW, 10-16 X 1/2 (S/P)
58	3357331	CLAMP, DRAIN HOSE (S/P)
59	8539874	SHEILD, SUDS (S/P)
60	3361432	HARNESS, WIRING (S/P)

LSC9245BQ0 PATA



1	285609	MISCELLANEOUS PARTS BAG (S/P)
2	16123	WASHER, INLET HOSE (1-1/16 X 5/8) (4) (S/P)
4	3359452	NUT, LOCK (3/8-16) (S/P)
5	389102	FOOT, FRONT (2)
7	356138	CLAMP, HOSE (S/P)

LSC9245BQ0 TINAS

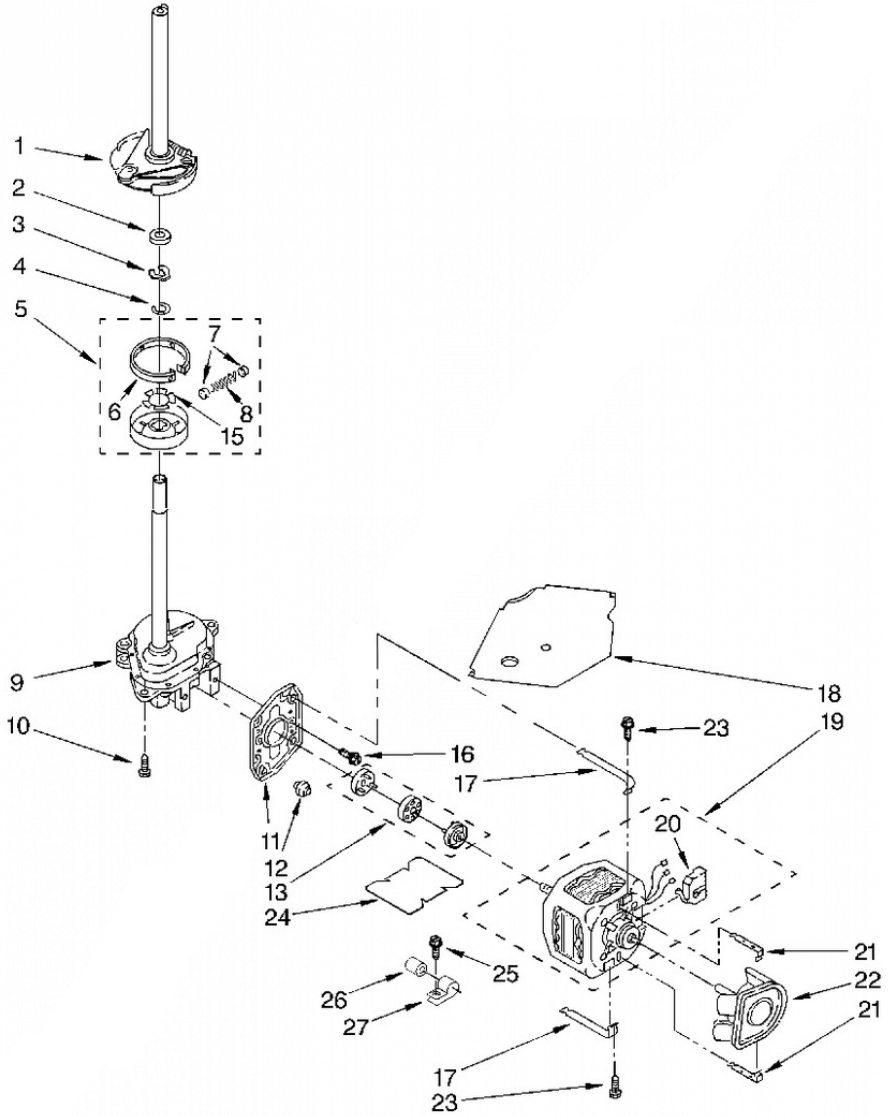




LSC9245BQ0 TINAS

1	63580	DISPENSER
2	358237	SCREW & WASHER (5-16-24 X 1)
3	3348752	CLOTHES MOVER
4	3347288	AGITATOR
5	8528150	TUB RING & GASKET
6	3976308	GASKET, TUB RING
7	3354845	CLIP, AGITATOR (S/P)
8	8543666	WASHER, AGITATOR (S/P)
9	285811	CAM DRIVEN
10	285770	DOG, AGITATOR CLUTCH
12	21366	NUT, SPANNER
13	8526016	BASKET & BALANCE RING (S/P)
14	285868	FILTER, PLATE
16	3361596	TUB (INCLUDES ITEM 25) (S/P)
17	389140	BLOCK, BASKET DRIVE
18	383727	GASKET, CENTER POST
19	353244	HOSE, PRESSURE SWITCH
20	285565	AGITATOR ASY. (COMPLETE)
22	285587	SPACER, THRUST
23	285551	CAP, BARRIER
24	3348855	SEAL, INNER CAP
25	3948705	HOSE, BLEACH (S/P)
26	21365	WASHER DESCONTINUADO

LSC9245BQ0 MOTOR

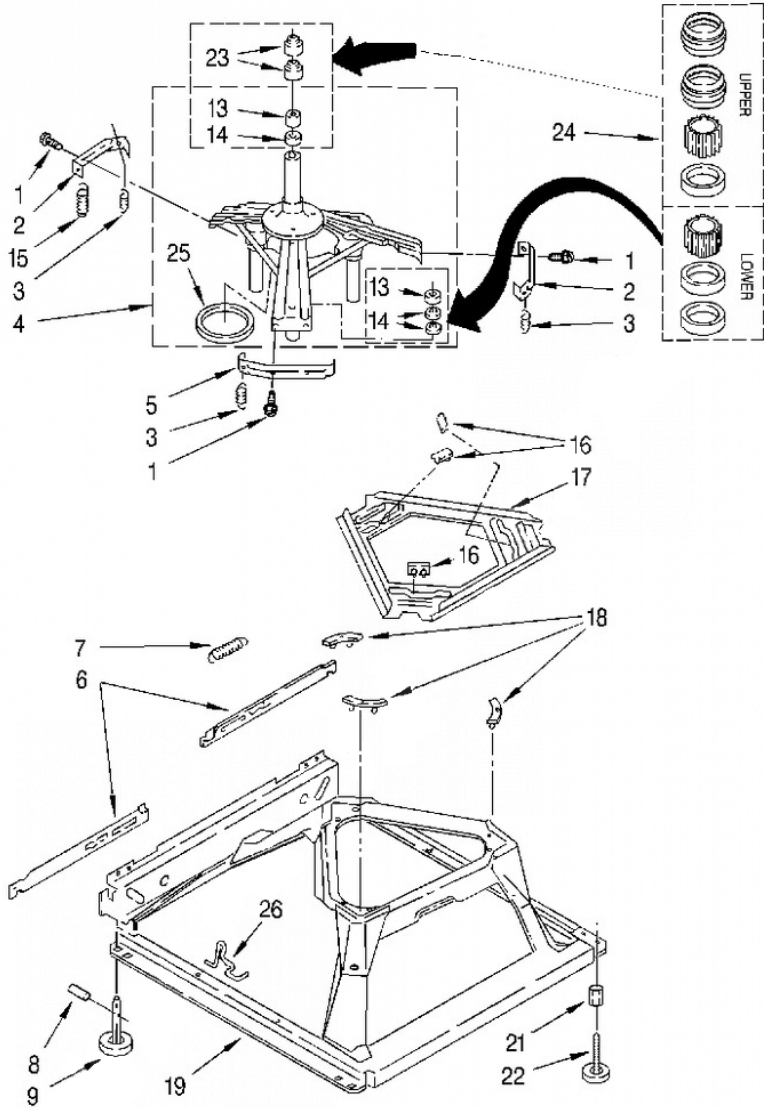




LSC9245BQ0 MOTOR

1	285792	BRAKE & DRIVE TUBE (COMPLETE)
2	63292	WASHER, SPIN TUBE THRUST
3	62697	RING, SPIN TUBE SUPPORT
4	285353	RING, RETAINER
5	285785	CLUTCH (COMPLETE)
6	285790	BAND & LINING, CLUTCH (INCLUDES ILLUS. 7 & 8)
7	62646	CAP, CLUTCH SPRING (2) (S/P)
8	285790	SPRING, CLUTCH
9	3360629	GEARCASE (COMPLETE)
10	3357334	SCREW, GEARCASE TO BASE (3) (S/P)
11	62611	PLATE, MOTOR MOUNT TO GEARCASE (S/P)
12	62691	GROMMET, MOTOR (4)
13	285753	COUPLING, MOTOR & ISOLATION
15	3355454	CLIP, ANTI-RATTLE (S/P)
16	3357334	SCREW (S/P)
17	3349637	RETAINER, MOTOR (2)
18	3362089	SHIELD, TUB TO MOTOR (S/P)
19	389248	MOTOR, MAIN DRIVE
20	8529896	SWITCH, MAIN DRIVE MOTOR (S/P)
21	62700	RETAINER, PUMP (2)
22	3363394	PUMP (COMPLETE)
23	3387485	SCREW, 10-16 X 5/8 (S/P)
24	3946532	SHIELD, MOTOR (S/P)
25	62863	SCREW, 10-16 X 3/8 (S/P)
26	8572717	CAPACITOR (S/P)
27	357030	CLAMP, CAPACITOR (S/P)

LSC9245BQ0 BASE





LSC9245BQ0 BASE

1	343641	SCREW, BRACKET MOUNTING (10-16 X 5/8) (S/P)
2	64067	BRACKET, SPRING OUTER (2)
3	63907	SPRING, SUSPENSION (3)
4	280184	SUPPORT & BRAKE, TUB (S/P)
5	64065	BRACKET, SPRING OUTER (L.F.)
6	63466	LINK, LEVELING MECHANISM (2) (S/P)
7	8316845	SPRING, LEVELING MECHANISM
8	62837	PIN, KNURLED (S/P)
9	285244	FOOT, REAR (2)
13	8546455	BEARING, CENTERPOST (2) (S/P)
14	359449	SEAL, CENTERPOST (3)
15	388492	SPRING, COUNTERWEIGHT
16	285219	PAD, PLATE
17	3946509	PLATE, SUSPENSION (S/P)
18	285744	PAD, BASE
19	285771	BASE ASSEMBLY
21	3359452	NUT, LOCK (3/8-16) (S/P)
22	389102	FOOT, FRONT (2)
23	91938	SEAL, CENTERPOST (2)
24	285203	CENTERPOST BEARING KIT
25	63134	RING, SOUND DEADENING
26	63806	RETAINER, SUSPENSION SPRING (S/P)

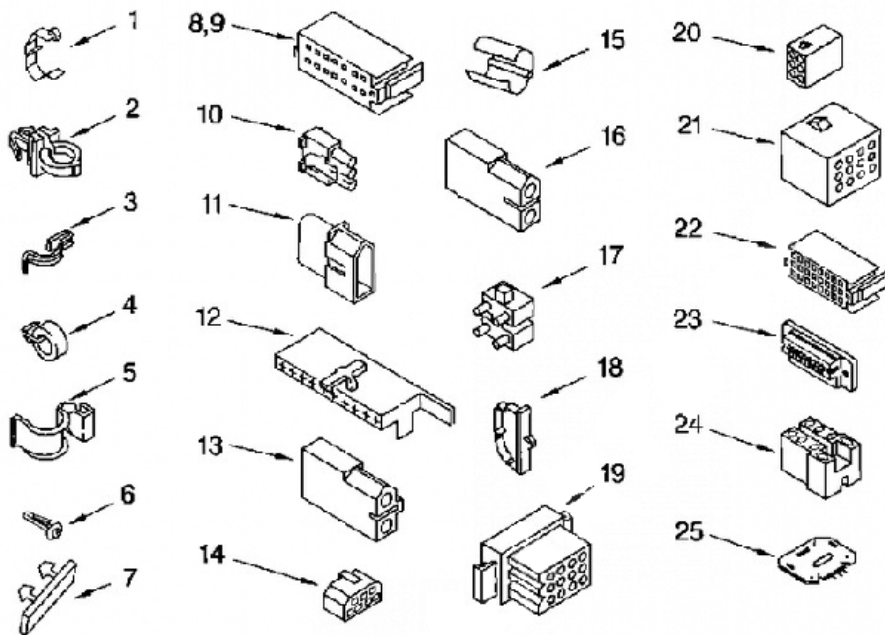
Distribuidor Autorizado

SurteRápido.com

Venta de Refacciones
Electrodomesticas



LSC9245BQ0 HARNES

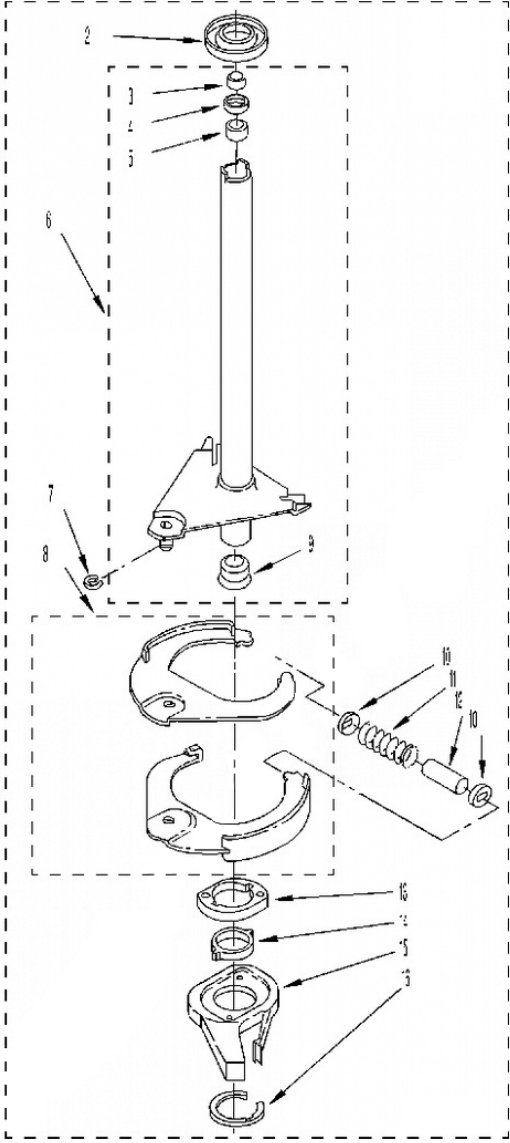




LSC9245BQ0 HARNES

1	3349557	CLIP, HARNESS (S/P)
2	388498	CLIP, HARNESS DESCONTINUADO
3	8528351	CLIP, HARNESS (S/P)
4	3348535	CLIP, HARNESS (S/P)
5	90016	CLIP, HARNESS (S/P)
6	8281256	CLIP, HARNESS (S/P)
7	389379	RETAINER, (SUDS MODELS) (S/P)
8	352090	TIMER, BLOCK DISCONNECT DESCONTINUADO
9	352089	TIMER, BLOCK DISCONNECT (BLACK) (S/P)
10	62889	RECEPTACLE, TERMINAL (3-WAY) (S/P)
11	353424	PLUG, TERMINAL (3-WAY) (POWER CORD) (S/P)
12	62505	BLOCK, DISCONNECT (MOTOR 2 SPEED) (S/P)
13	3348075	BLOCK, DISCONNECT DESCONTINUADO
14	3347243	BLOCK, DISCONNECT (USE TERM. 352088) (S/P)
15	63523	PROTECTOR (S/P)
16	717252	CONNECTOR (2-WAY) (USE TERM.94614) (S/P)
17	938329	PLUG, TERMINAL (4-WAY) DESCONTINUADO
18	3352944	CLIP, HARNESS (S/P)
19	3390423	BLOCK, DISCONNECT (12-WAY) (TIMER) (S/P)
20	3347730	RECEPTACLE (6-WAY) DESCONTINUADO
21	388818	PLUG, TERMINAL (12-WAY) (S/P)
22	3369366	TIMER, BLOCK DISCONNECT DESCONTINUADO
23	3349494	CONNECTOR, ETC (S/P)
24	60688	CONNECTOR, RELAY (S/P)
25	3955728	CONTROL, ETC

LSC9245BQ0 FLECHA HUECA





LSC9245BQ0 FLECHA HUECA

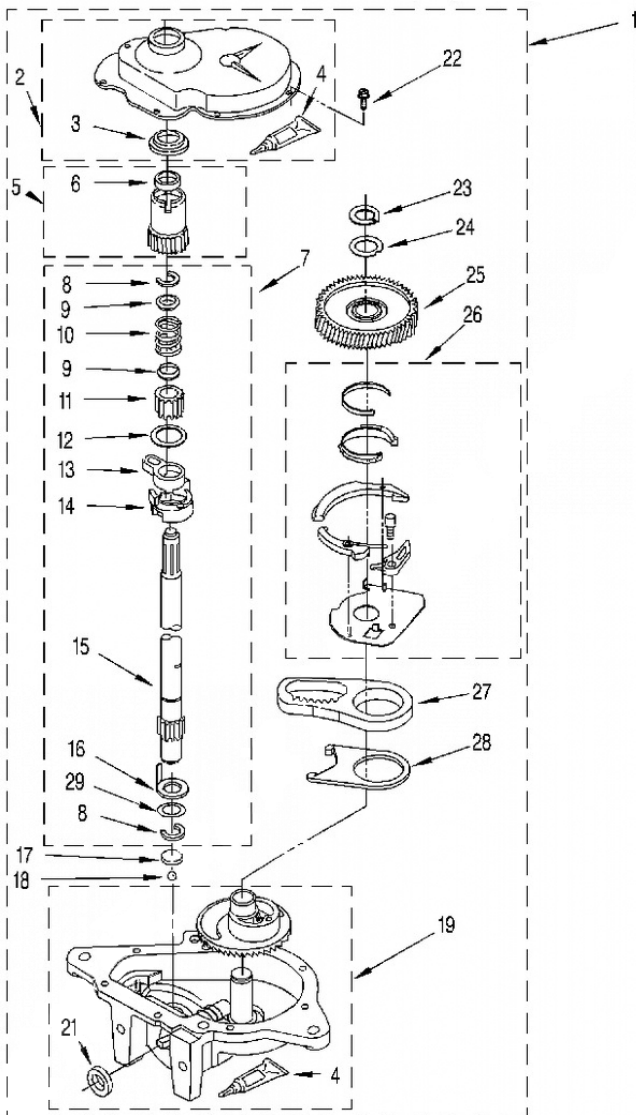
1	285792	BRAKE AND DRIVE TUBE (COMPLETE)
2	62658	RING, THRUST
3	91939	SEAL. OIL
4	356427	SEAL, DRIVE TUBE
5	356937	SPACER, DRIVE TUBE
6	64208	TUBE, BASKET DRIVE
7	64035	RING, RETAINING (S/P)
8	285438	SHOE, BRAKE
9	62703	``T`` BEARING, SPIN TUBE
10	285658	CAP, BRAKE SPRING (2) (S/P)
11	387806	SPRING, BRAKE
12	285658	SLEEVE, BRAKE SPRING (S/P)
13	661516	CAM, BRAKE RELEASE
14	63022	SLEEVE, CAM DESCONTINUADO
15	64194	DRIVER, BRAKE CAM
16	90368	RING, RETAINING
16	285208	LUBRICANT (S/P)

Distribuidor Autorizado

SurteRápido.com

Venta de Refacciones
Electrodomesticas

LSC9245BQ0 TRANSMISION

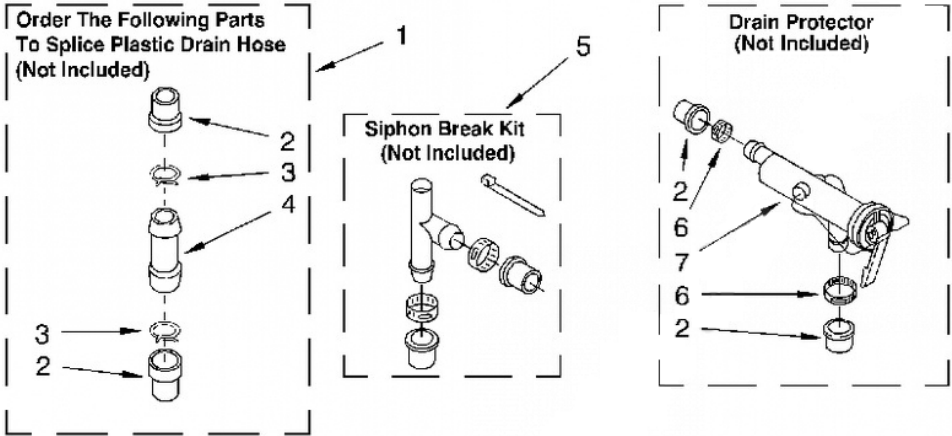




LSC9245BQ0 TRANSMISION

1	3360629	GEARCASE (COMPLETE)
2	285202	COVER, GEARCASE (S/P)
3	3349985	SEAL, GEARCASE COVER
4	285195	SEALER, GASKET (.20 FL. OZ.) (6 ML) (S/P)
5	285362	PINION, SPIN (INCLUDES ILLUS. 25)
6	356427	SEAL, SPIN PINION
7	389387	SHAFT, AGITSTOR (COMPLETE) (S/P)
8	90369	RING, RETAINING (2)
9	62677	RETAINER, SPRING
10	62676	SPRING, AGITATOR (S/P)
11	285509	GEAR, AGITATE DESCONTINUADO
12	62619	WASHER, AGITATOR GEAR (S/P)
13	285206	CAM FOLLOWER (INCLUDES 14)
14	285206	CAM, AGITATE (INCLUDES 13)
15	285509	SHAFT, AGITATOR DESCONTINUADO
16	62618	WASHER, CAM THRUST
17	285205	BEARING, THRUST
18	285205	BALL, BEARING
19	285515	BOTTOM AND PINION, GEARCASE (S/P)
21	285352	SEAL, THRUST PLUG
22	3351614	SCREW, GEARCASE COVER, MOUNTING (8) (S/P)
23	285765	RING, RETAINING
24	285735	WASHER KIT, THRUST (S/P)
25	285362	GEAR, SPIN
26	388253	NEUTRAL ASSEMBLY
27	3949609	RACK, CONNECTING
28	62621	ACTUATOR, SHIFT
29	388815	WASHER, INTERMEDIATE (S/P)

LSC9245BQ0 SISTEMA AGUA



1	285442	CONNECTOR KIT, PLASTIC DRAIN HOSE (S/P)
2	285321	SLEEVE KIT, (CONTAINS 2 SLEEVES) (S/P)
3	285655	CLAMP, HOSE (S/P)
4	16272	CONNECTOR, STRAIGHT (S/P)
5	285320	SIPHON BREAK KIT (NOT INCLUDED) (S/P)
6	285655	CLAMP, HOSE (S/P)
7	367031	DRAIN PROTECTOR (NOT INCLUDED) (S/P)