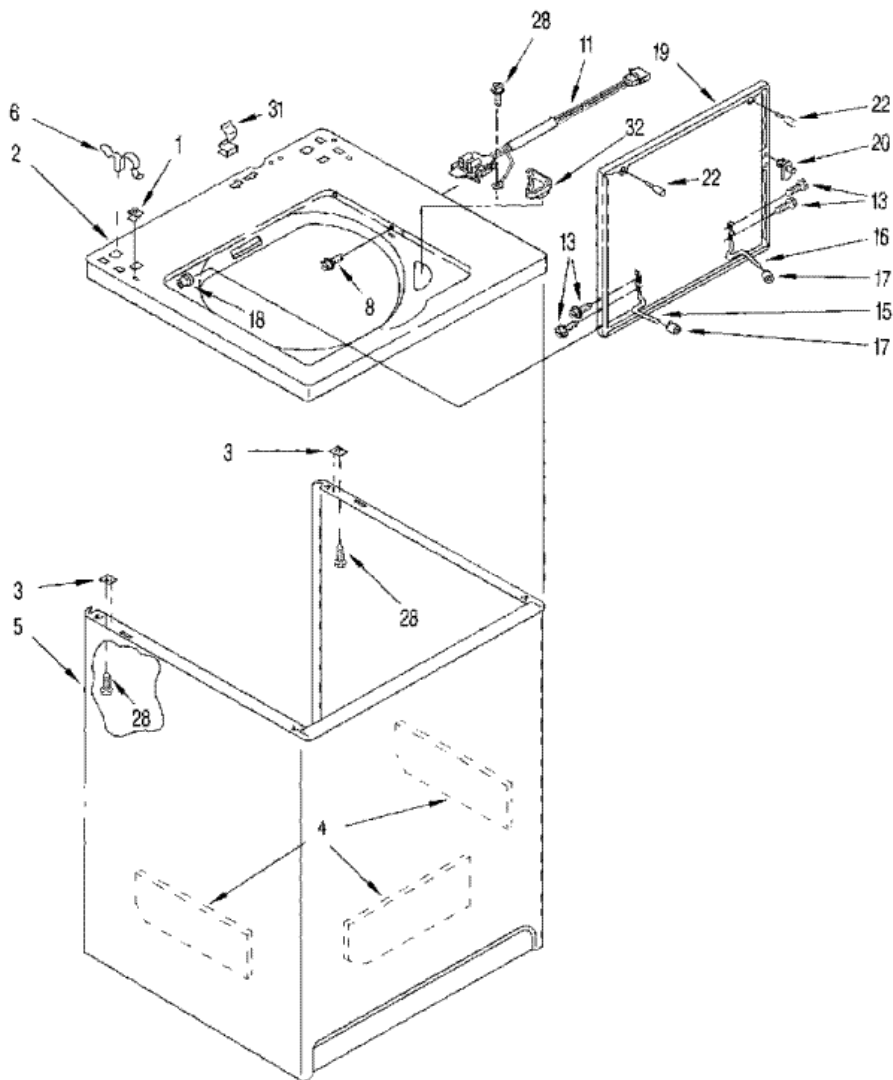


Distribuidor Autorizado

SurteRápido.com

Venta de Refacciones
Electrodomesticas

LSC9355EQ0 GABINETE





LSC9355EQ0 GABINETE

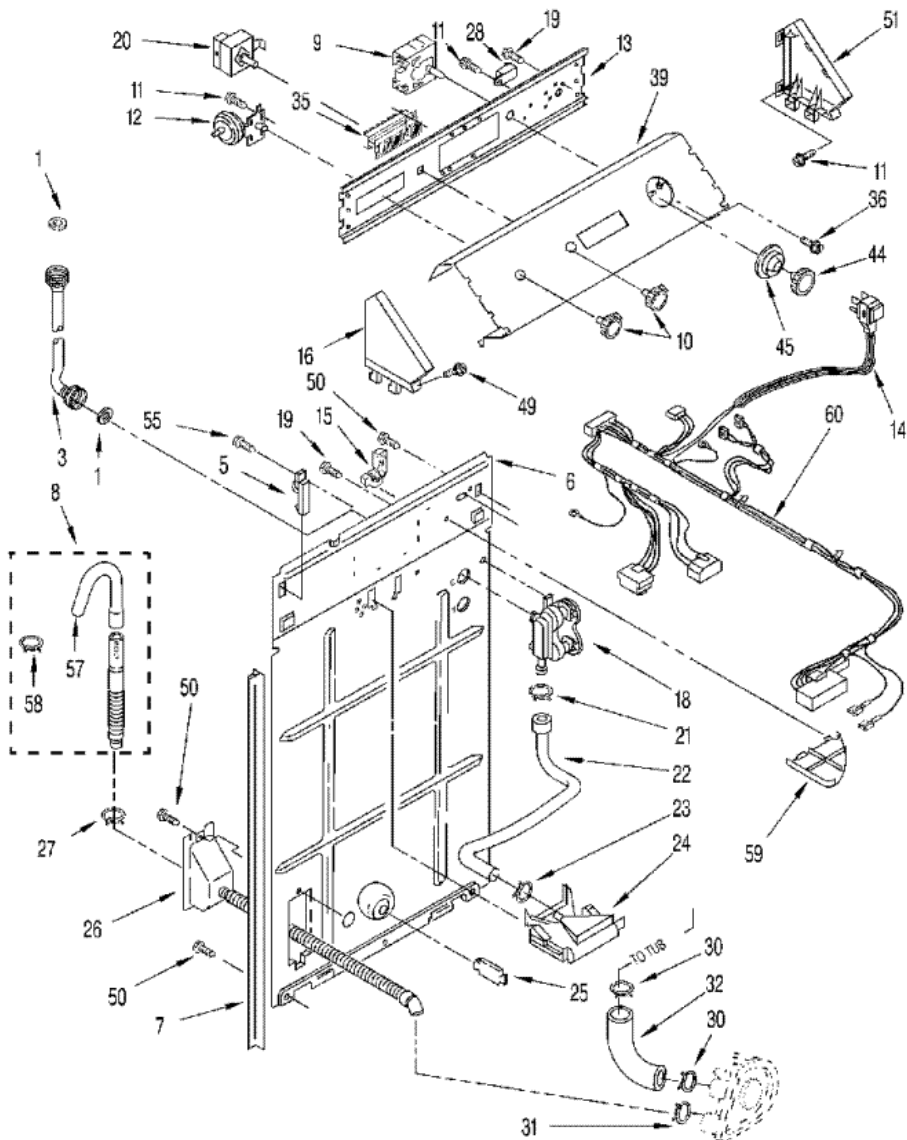
1	357213	NUT, PUSH-IN (2) (S/P)
2	3949477	TOP (FOR ALMOND MODEL) (S/P)
2	3949476	TOP (FOR WHITE MODEL) (S/P)
3	62750	SPACER, CABINET TO TOP (4) (S/P)
4	3976348	CABINET-SOUND DAMPER (S/P)
5	63424	CABINET (FOR WHITE MODEL) (S/P)
5	63425	CABINET (FOR ALMOND MODEL)
6	62780	CLIP, TOP & CABINET & REAR PANEL (2)
8	3356311	SCREW & WASHER, LID SWITCH (2) (S/P)
11	3949247	SWITCH, LID
13	3351355	SCREW, LID HINGE MOUNTING (4) (S/P)
15	54584	HINGE, LID (L.H.) (S/P)
16	54583	HINGE, LID (R.H.) (S/P)
17	19119	BUMPER, LID HINGE (S/P)
18	21258	BEARING, LID HINGE (2) (S/P)
19	3957563	LID (FOR WHITE MODEL) (S/P)
19	3957564	LID (FOR ALMOND MODEL) (S/P)
20	358684	STRIKE, LID SWITCH
22	93770	BUMPER, LID (2)
28	384435	SCREW, 10-16 X 1/2 (5) (S/P)
31	90016	CLIP, HARNESS (S/P)
32	3362952	DISPENSER, BLEACH

Distribuidor Autorizado

SurteRápido.com

Venta de Refacciones
Electrodomesticas

LSC9355EQ0 TABLERO



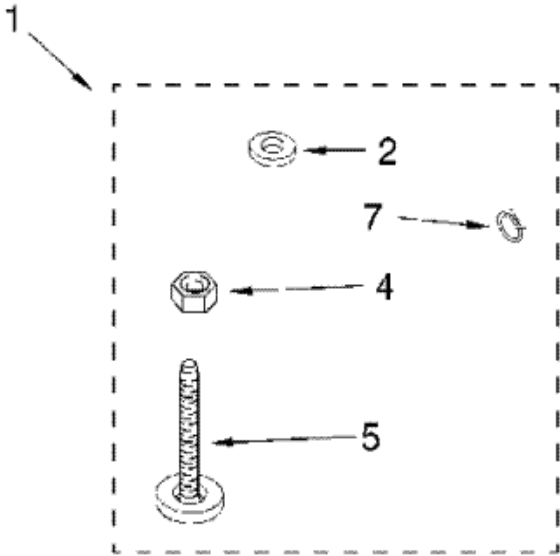


LSC9355EQ0 TABLERO

1	16123	WASHER, WATER INLET HOSE (4) (1-1/16 X 5/8) (S/P)
3	89503	HOSE, WATER INLET (2) (HOSE (INLET)
5	387402	HINGE, CONSOLE (2)
6	3357978	PANEL, REAR (S/P)
7	62747	PAD, REAR PANEL (S/P)
8	661577	HOSE, DRAIN (9`-9``) (NOT INCLUDED) (S/P)
8	285664	HOSE, DRAIN (4`- 8``)
8	285702	EXTENSION DRAIN HOSE (S/P)
9	3948058	TIMER, CONTROL (60 HZ.)
10	3950759	KNOB, CONTROLS (FOR WHITE MODEL) (S/P)
10	3950760	KNOB, CONTROLS (FOR ALMOND MODEL) (S/P)
11	90767	SCREW, 8A X 3/8 (S/P)
12	3356465	SWITCH, WATER LEVEL
13	3361414	BRACKET, CONTROL (S/P)
14	285800	CORD, POWER
15	285777	STRAIN RELIEF, POWER CORD (S/P)
16	285846	CAP, END (L.H.) (WHITE/CHROME)
16	285848	CAP, END (L.H.) (ALMOND/CHROME) (S/P)
18	285805	VALVE, WATER MIXING
19	90864	SCREW, 10-24 X 3/8 (2) (S/P)
20	661613	SWITCH, ROTARY
21	596669	CLAMP, HOSE (S/P)
22	3357328	HOSE, VACUUM BREAK
23	596669	CLAMP, HOSE (S/P)
24	3360977	BREAK, VACUUM
25	8519200	SUPPORT, REAR PANEL
26	8317940	HOSE-CORRUGATED ASSY.
27	356138	CLAMP, HOSE (S/P)
28	694419	MINI, BUZZER
30	371502	CLAMP, HOSE (S/P)
31	285655	CLAMP, HOSE (S/P)
32	285871	HOSE, PUMP TO TUB
35	3363676	SWITCH, TOUCH-PAD (7) (S/P)

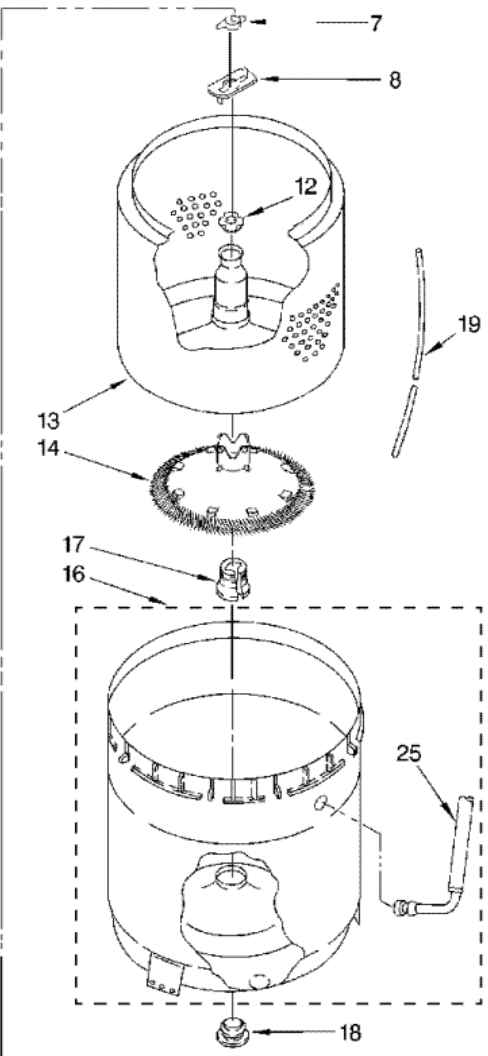
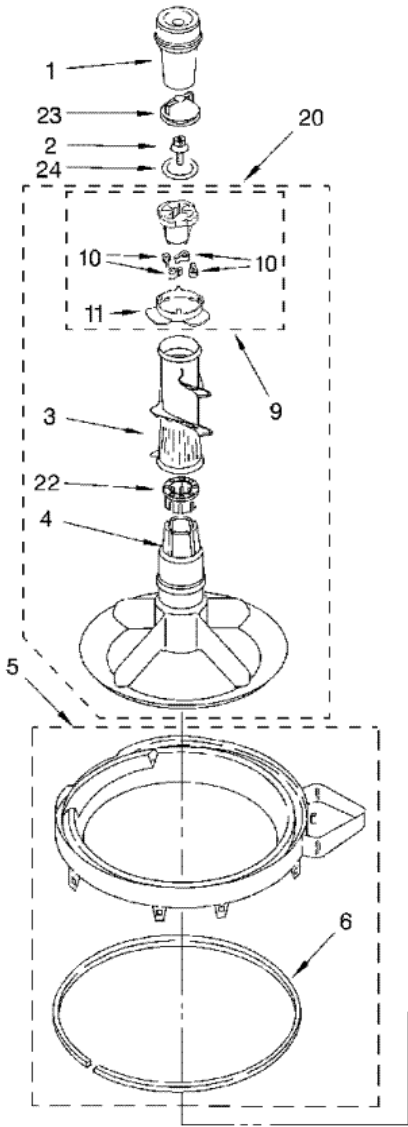
36	96435	SCREW, TIMER MOUNTING (10-32 X 1) (2) (S/P)
39	3948314	PANEL, CONSOLE (FOR WHITE MODEL) (S/P)
39	3948315	PANEL, CONSOLE (FOR ALMOND MODEL) (S/P)
44	3364293	KNOB, TIMER (FOR ALMOND MODEL)
44	3364291	KNOB, TIMER (FOR WHITE MODEL)
45	8274331	DESCONTINUADO
45	280193	DIAL, TIMER (FOR ALMOND MODEL)
49	388326	SCREW, 8-18 X 1.25 (PANEL TO TOP) (S/P)
50	62863	SCREW, 10-16 X 3/8 (S/P)
51	3358514	CAP , END (R.H.) (ALMOND/CHROME) (S/P)
51	285846	CAP , END (R.H.) (WHITE/CHROME)
55	3357011	SCREW, 10-16 X 1/2 (S/P)
57	3357027	NOZZLE, HOSE DRAIN (S/P)
58	3357331	CLAMP, DRAIN HOSE (S/P)
59	8539874	SHEILD, SUDS (S/P)
60	3949624	HARNES, WIRING (S/P)

LSC9355EQ0 PATA



1	285609	MISCELLANEOUS PARTS BAG (S/P)
2	16123	WASHER, INLET HOSE (1-1/16 X 5/8) (4) (S/P)
4	3359452	NUT, LOCK (3/8-16) (S/P)
5	389102	FOOT, FRONT (2)
7	356138	CLAMP, HOSE (S/P)

LSC9355EQ0 TINA

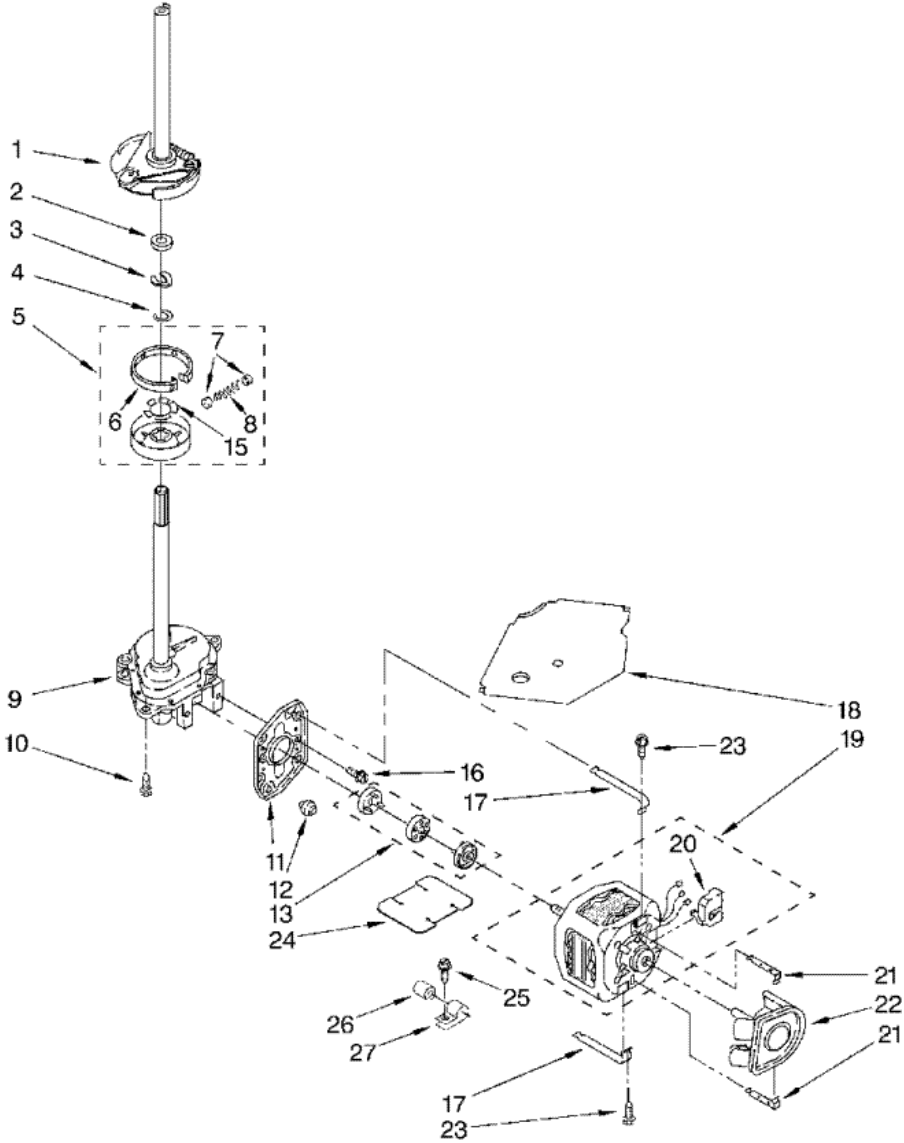




LSC9355EQ0 TINA

1	63580	DISPENSER ASSY.
2	358237	SCREW & WASHER (5-16-24 X 1)
3	3363003	CLOTHES MOVER
4	3347288	AGITATOR
5	8528150	TUB RING & GASKET
6	3976308	SEAL, TUB RING
7	3354845	CLIP, AGITATOR (S/P)
8	3355921	WASHER, AGITATOR (S/P)
9	285811	CAM DRIVEN
10	285770	DOG, AGITATOR CLUTCH
11	3363661	BEARING-DRIVEN CAM (S/P)
12	21366	NUT, SPANNER
13	8526016	BASKET & BALANCE RING (S/P)
14	285868	FILTER, PLATE
16	3361596	TUB (INCLUDES ITEM 25) (S/P)
17	389140	BLOCK, BASKET DRIVE
18	383727	GASKET, CENTER POST
19	353244	HOSE, PRESSURE SWITCH
20	3946501	AGITATOR (COMPLETE ASY.) (S/P)
22	285587	SPACER, THRUST
23	285551	CAP, BARRIER
24	3348855	SEAL, INNER CAP
25	3948705	HOSE, BLEACH (S/P)

LSC9355EQ0 MOTOR





LSC9355EQ0 MOTOR

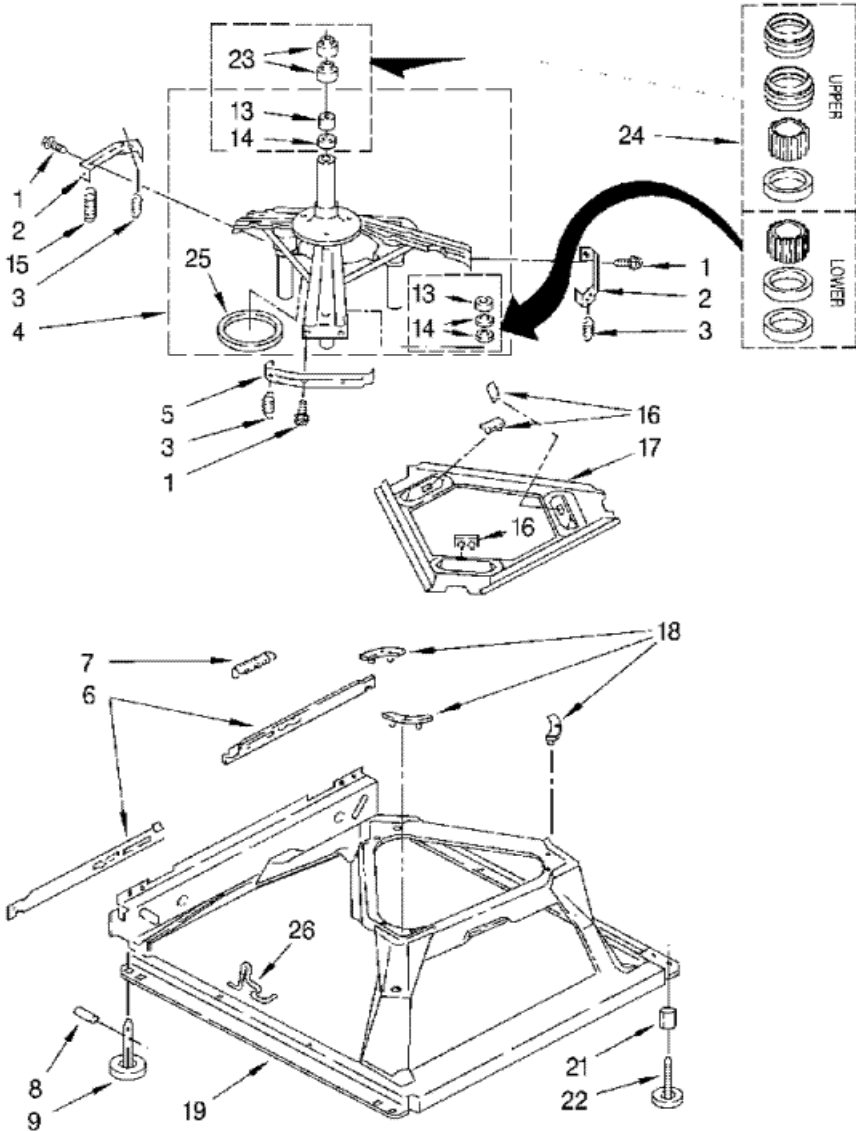
1	285792	BRAKE & DRIVE TUBE (COMPLETE)
2	63292	WASHER, SPIN TUBE THRUST
3	62697	RING, SPIN TUBE SUPPORT
4	285353	RING, RETAINER
5	285785	CLUTCH (COMPLETE)
6	285790	BAND & LINING, CLUTCH (INCLUDES ILLUS. 7 & 8)
7	62646	CAP, CLUTCH SPRING (2) (S/P)
8	3946792	SPRING, CLUTCH (S/P)
9	3360629	GEARCASE (COMPLETE)
10	3357334	SCREW, GEARCASE TO BASE (3) (S/P)
11	62611	PLATE, MOTOR MOUNT TO GEARCASE
12	62691	GROMMET, MOTOR (4)
13	285753	COUPLING, MOTOR & ISOLATION
15	3355454	CLIP, ANTI-RATTLE (S/P)
16	3357334	SCREW (S/P)
17	3349637	RETAINER, MOTOR (2)
18	3362089	SHIELD, TUB TO MOTOR (S/P)
19	3352287	MOTOR, MAIN DRIVE
20	8529896	SWITCH, MAIN DRIVE MOTOR
21	62700	RETAINER, PUMP (2)
22	3363394	PUMP (COMPLETE)
23	3387485	SCREW, 10-16 X 5/8 (S/P)
24	3946532	SHIELD, MOTOR (S/P)
25	62863	SCREW, 10-16 X 3/8 (S/P)
26	8272720	CAPACITOR (S/P)
27	357030	CLAMP, CAPACITOR (S/P)

Distribuidor Autorizado

SurteRápido.com

Venta de Refacciones
Electrodomesticas

LSC9355EQ0 BASE

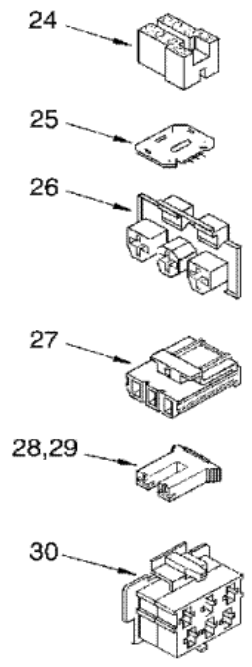
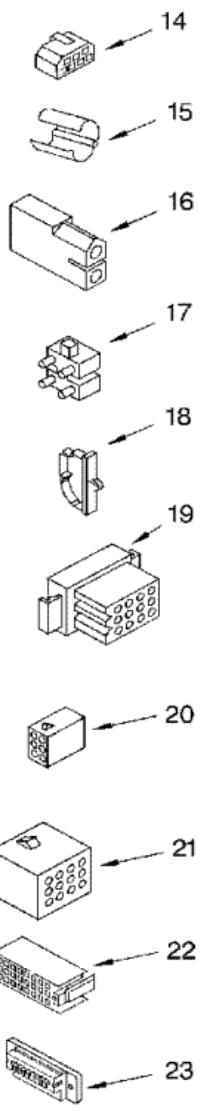
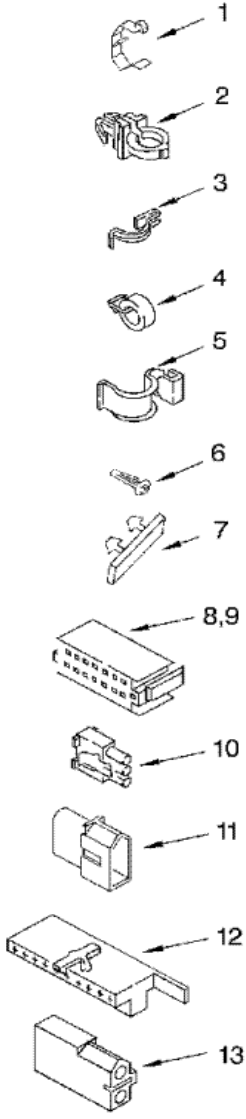




LSC9355EQ0 BASE

1	343641	SCREW, BRACKET MOUNTING (10-16 X 5/8) (S/P)
2	64067	BRACKET, SPRING OUTER (2)
3	63907	SPRING, SUSPENSION (3)
4	280184	SUPPORT & BRAKE, TUB
5	64065	BRACKET, SPRING OUTER (L.F.)
6	63466	LINK, LEVELING MECHANISM (2)
7	8316845	SPRING, LEVELING MECHANISM
8	62837	PIN, KNURLED (S/P)
9	285244	FOOT, REAR (2)
13	8546455	BEARING, CENTERPOST (2) (S/P)
14	359449	SEAL, CENTERPOST (3)
15	388492	SPRING, COUNTERWEIGHT
16	285219	PAD, PLATE
17	3946509	PLATE, SUSPENSION (INCLUDES ILLUS. 16)
18	285744	PAD, BASE
19	285771	BASE ASSEMBLY
21	3359452	NUT, LOCK (3/8-16) (S/P)
22	389102	FOOT, FRONT (2)
23	91938	SEAL, CENTERPOST (2)
24	285203	CENTERPOST BEARING KIT
25	63134	RING, SOUND DEADENING
26	63806	RETAINER, SUSPENSION SPRING

LSC9355EQ0 HARNES





LSC9355EQ0 HARNES

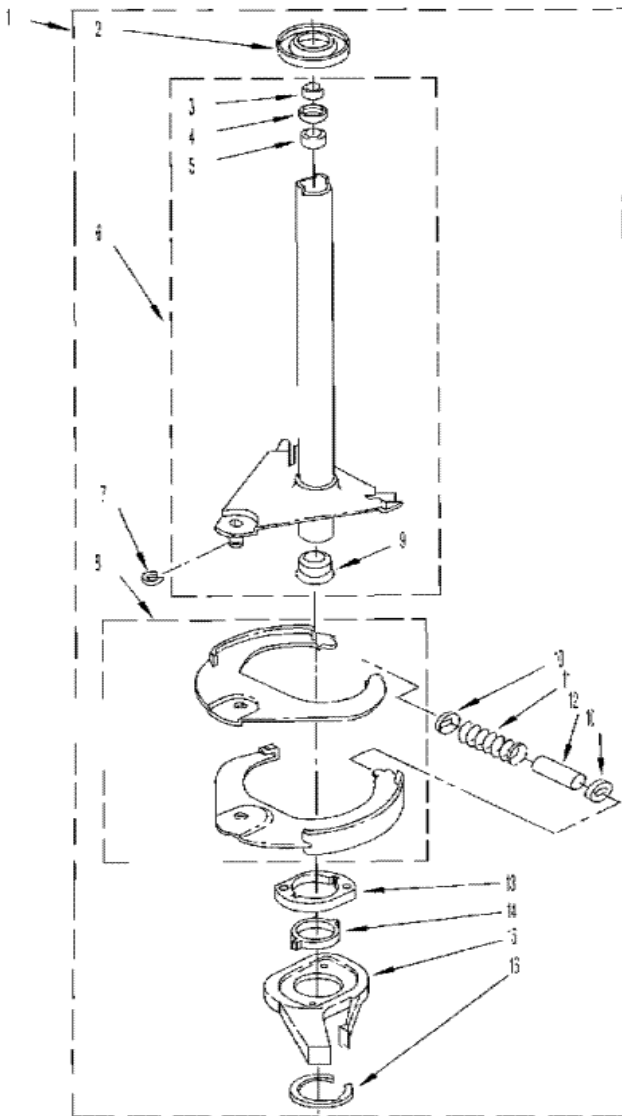
1	3349557	CLIP, HARNESS (S/P)
2	388498	DESCONTINUADO
3	8528351	CLIP, HARNESS (S/P)
4	3348535	CLIP, HARNESS (S/P)
5	90016	CLIP, HARNESS (S/P)
6	8281256	CLIP, HARNESS (S/P)
7	389379	RETAINER, (SUDS MODELS) (S/P)
8	352090	DESCONTINUADO
9	352089	TIMER, BLOCK DISCONNECT (BLACK) (S/P)
10	62889	RECEPTACLE, TERMINAL (3-WAY) (S/P)
11	353424	PLUG, TERMINAL (3-WAY) (POWER CORD) (S/P)
12	62505	BLOCK, DISCONNECT (MOTOR 2 SPEED) (S/P)
13	3348075	DESCONTINUADO
14	3347243	BLOCK, DISCONNECT (USE TERM. 352088) (S/P)
15	63523	PROTECTOR (S/P)
16	717252	CONNECTOR (2-WAY) (USE TERM. 94614) (S/P)
17	938329	DESCONTINUADO
18	3352944	CLIP, HARNESS (S/P)
19	3390423	BLOCK, DISCONNECT (12-WAY) (TIMER) (S/P)
20	3347730	DESCONTINUADO
21	388818	PLUG, TERMINAL (12-WAY) (S/P)
22	3369366	DESCONTINUADO
23	3349494	CONNECTOR, ETC (S/P)
24	60688	CONNECTOR, RELAY (S/P)
25	3955728	CONTROL, ETC
26	3948617	CONNECTOR (T.P.A.) (3-CIRCUIT) (S/P)
27	3360056	CONNECTOR (T.P.A.) (3-CIRCUIT) (S/P)
28	3354925	BLOCK, CONNECTOR (COLD VALVE) (S/P)
29	3354926	BLOCK, CONNECTOR (HOT VALVE) (S/P)
30	3948615	CONNECTOR (T.P.A.) (6-CIRCUIT) (S/P)

Distribuidor Autorizado

SurteRápido.com

Venta de Refacciones
Electrodomesticas

LSC9355EQ0 FLECHA HUECA





LSC9355EQ0 FLECHA HUECA

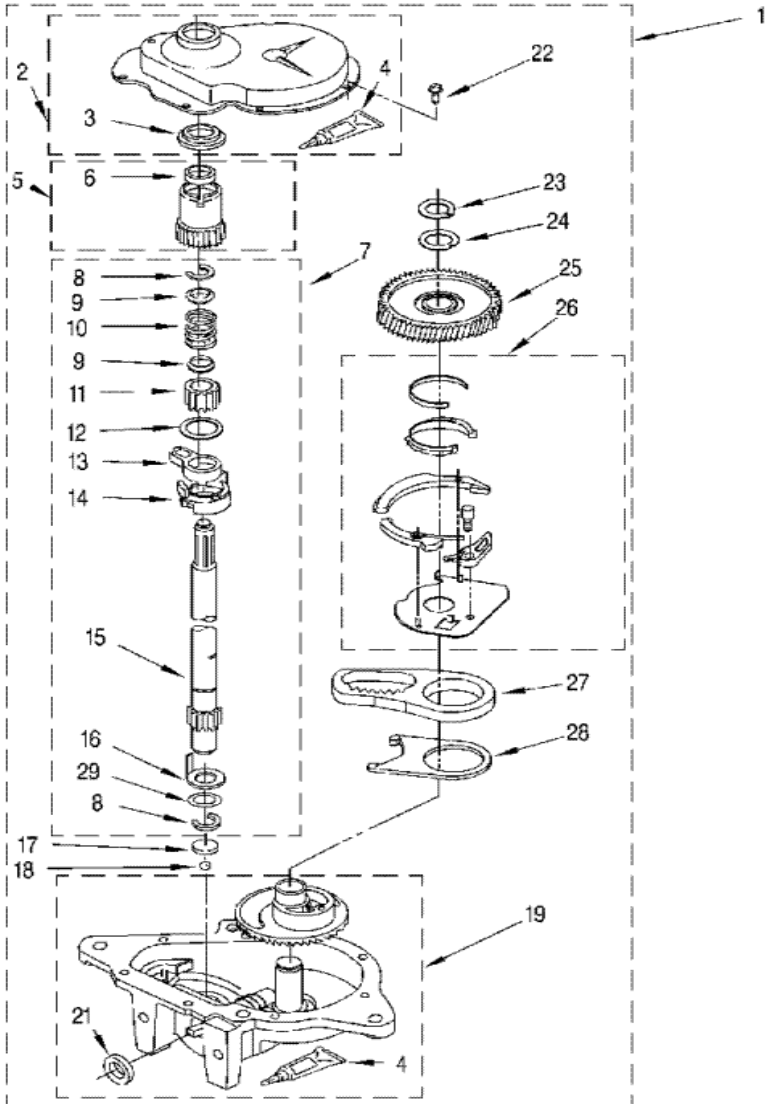
1	285792	BRAKE AND DRIVE TUBE (COMPLETE)
2	62658	RING, THRUST
3	91939	SEAL. OIL
4	356427	SEAL, DRIVE TUBE
5	356937	SPACER, DRIVE TUBE
6	64208	TUBE, BASKET DRIVE
7	64035	RING, RETAINING (S/P)
8	285438	SHOE, BRAKE
9	62703	``T`` BEARING, SPIN TUBE
10	285658	CAP, BRAKE SPRING (2) (S/P)
11	387806	SPRING, BRAKE
12	285658	SLEEVE, BRAKE SPRING (S/P)
13	661516	CAM, BRAKE RELEASE
14	63022	DESCONTINUADO
15	64194	DRIVER, BRAKE CAM
16	90368	RING, RETAINING
16	285208	LUBRICANT (S/P)

Distribuidor Autorizado

SurteRápido.com

Venta de Refacciones
Electrodomesticas

LSC9355EQ0 TRANSMISION

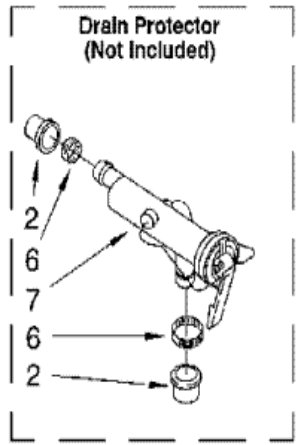
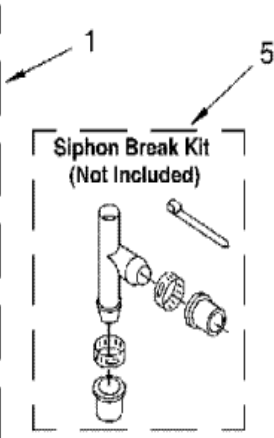
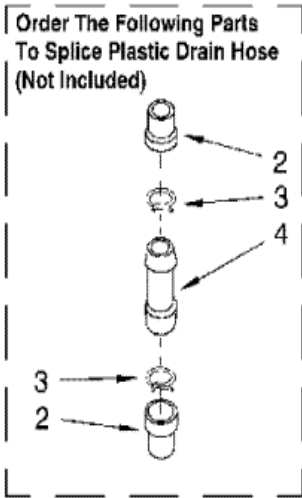




LSC9355EQ0 TRANSMISION

1	3360629	GEARCASE (COMPLETE)
2	285202	COVER, GEARCASE (S/P)
3	3349985	SEAL, GEARCASE COVER
4	285195	SEALER, GASKET (.20 FL. OZ.) (6 ML)
5	285362	PINION, SPIN (INCLUDES ILLUS. 25)
6	356427	SEAL, SPIN PINION
7	389387	SHAFT, AGITSTOR (COMPLETE)
8	90369	RING, RETAINING (2)
9	62677	RETAINER, SPRING
10	62676	SPRING, AGITATOR
11	285509	DESCONTINUADO
12	62619	WASHER, AGITATOR GEAR (S/P)
13	285206	CAM FOLLOWER (INCLUDES 14)
14	285206	CAM, AGITATE (INCLUDES 13)
15	285509	DESCONTINUADO
16	62618	WASHER, CAM THRUST
17	285205	BEARING, THRUST
18	285205	BALL, BEARING
19	285515	BOTTOM AND PINION, GEARCASE (S/P)
21	285352	SEAL, THRUST PLUG
22	3351614	SCREW, GEARCASE COVER, (S/P)
23	285765	RING, RETAINING
24	285735	WASHER KIT, THRUST
25	285362	GEAR, SPIN
26	388253	NEUTRAL ASSEMBLY
27	3949609	RACK, CONNECTING
28	62621	ACTUATOR, SHIFT
29	388815	WASHER, INTERMEDIATE (S/P)

LSC9355EQ0 SISITEMA DE AGUA



1	285442	CONNECTOR KIT, PLASTIC DRAIN HOSE (S/P)
2	285321	SLEEVE KIT, (CONTAINS 2 SLEEVES) (S/P)
3	285655	CLAMP, HOSE (S/P)
4	16272	CONNECTOR, STRAIGHT (S/P)
5	285320	SIPHON BREAK KIT (NOT INCLUDED) (S/P)
6	285655	CLAMP, HOSE (S/P)
7	367031	DRAIN PROTECTOR (NOT INCLUDED) (S/P)