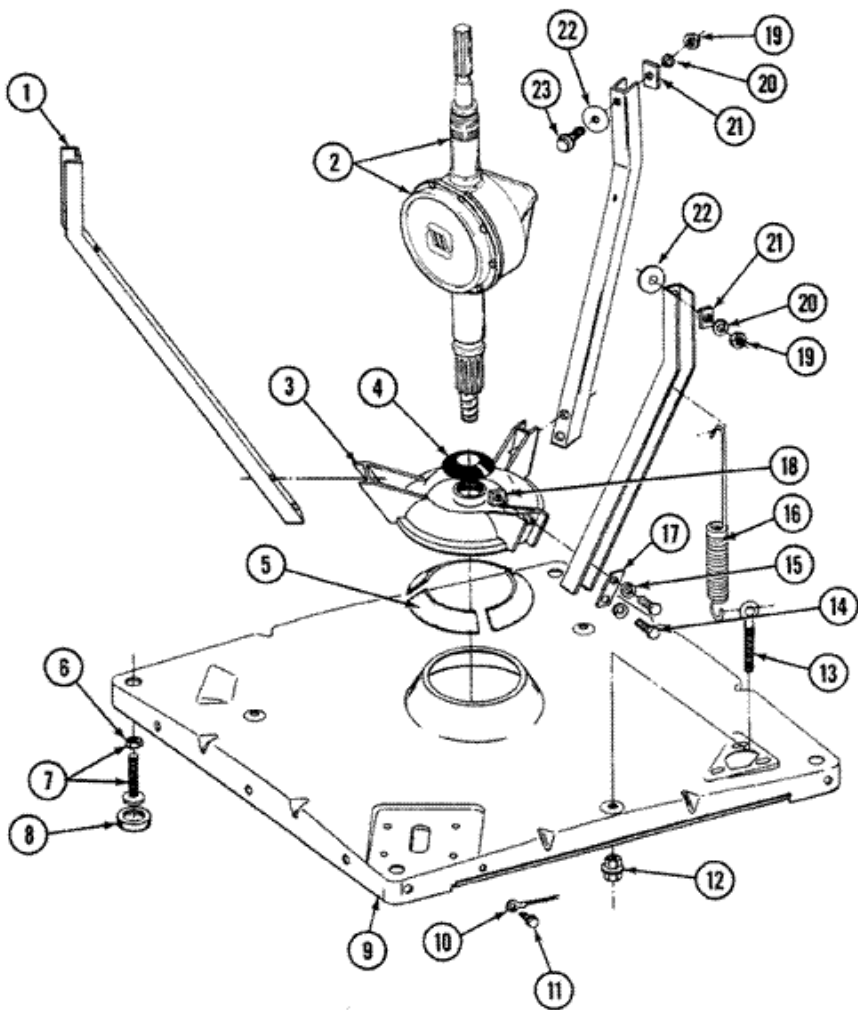


Distribuidor Autorizado

SurteRápido.com

Venta de Refacciones  
Electrodomesticas

## LSE1000 BASE





**LSE1000 BASE**

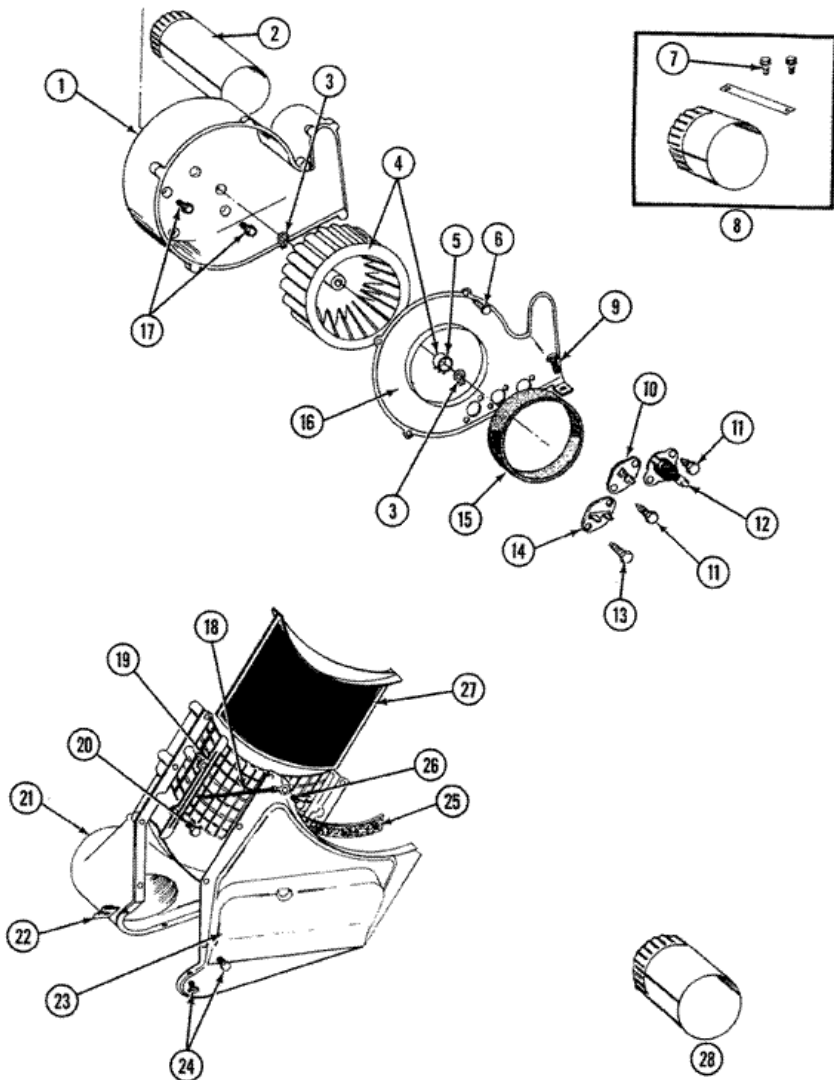
1	213053	BRACE, TUB
2	22002227	TRANSMISSION KIT S1000 <b>DESCONTINUADO</b>
2	206707	TRANSMISSION, ORBITAL <b>(S/P)</b>
3	203725	DAMPER W/BOLT & CLIP <b>(S/P)</b>
4	22001586	DEFLECTOR, WATER (DRIVE TUBE) <b>(S/P)</b>
5	203956	DAMPER PAD KIT (W/POLY LUBE)
6	210385	NUT, LOCK <b>(S/P)</b>
7	22003428	LEG, ADJUSTABLE (W/NUT)
8	210684	FOOT, RUBBER
9	203274	BASE WITH DAMPER PADS <b>(S/P)</b>
10	204807	GRND.WIRE, SUPP.PLTE TO TOP CVR <b>(S/P)</b>
11	210186	SCREW, GROUND WIRE TO BASE--NA <b>(S/P)</b>
12	211949	NUT, EYEBOLT <b>(S/P)</b>
13	216416	EYE BOLT FOR CENTER SPRING <b>(S/P)</b>
14	Y015627	SCREW, HEX HD CAP 5/16 X 5/8 <b>(S/P)</b>
15	486009	WASHER, LOCK (BRACE) <b>(S/P)</b>
16	213054	CENTERING SPRING - 3 USED
17	213073	WASHER, DOUBLE <b>(S/P)</b>
18	Y052785	NUT, BRACE TO DAMPER <b>(S/P)</b>
19	Y052734	NUT <b>(S/P)</b>
20	Y054867	WASHER, LOCK <b>(S/P)</b>
21	212979	WASHER, TUB BRACE <b>DESCONTINUADO</b>
22	211100	WASHER, CUSHION <b>(S/P)</b>
23	205254	BOLT & GASKET ASSEMBLY (LONG) <b>(S/P)</b>
23	200744	BOLT & GASKET ASSY.(SHORT) <b>(S/P)</b>

Distribuidor Autorizado

SurteRápido.com

Venta de Refacciones  
Electrodomesticas

# LSE1000 TURBINA





## LSE1000 TURBINA

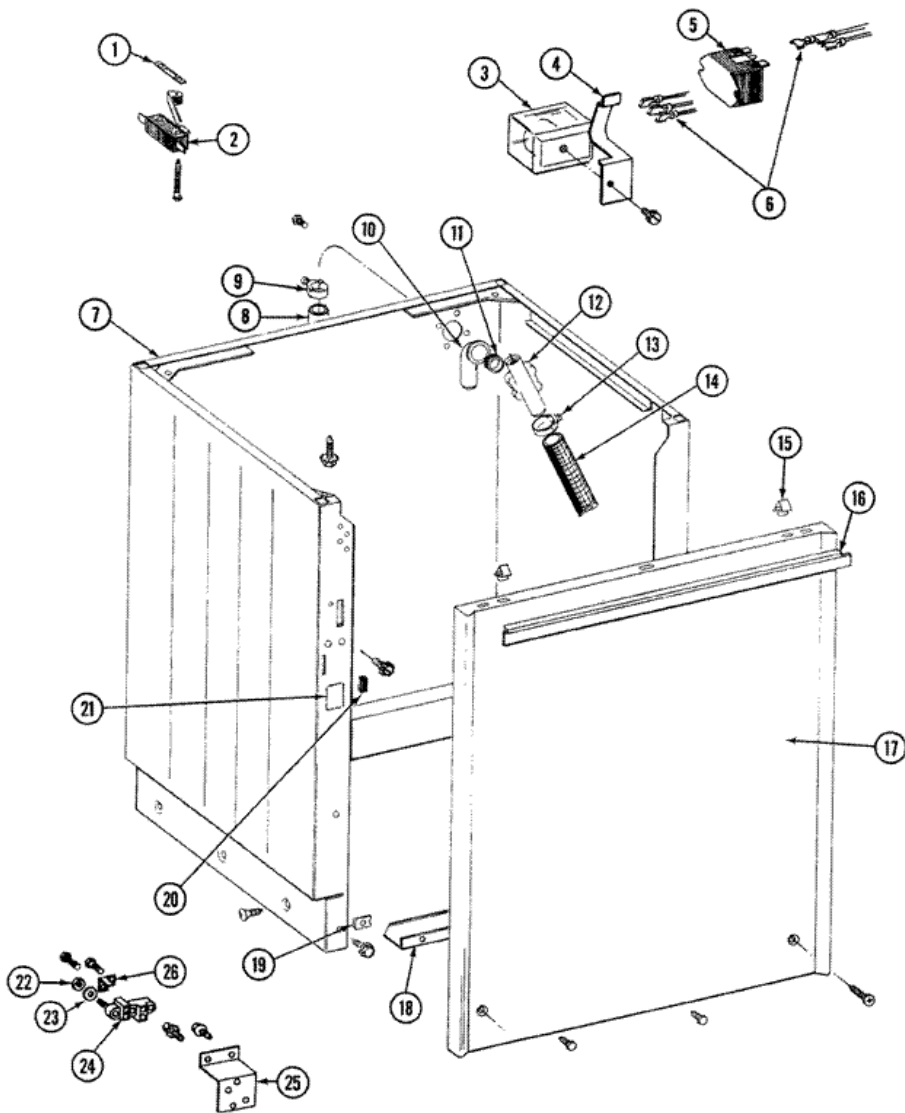
1	Y312893	HOUSING, BLOWER (S/P)
2	314716	RETAINER CLIP (S/P)
2	306064	EXHAUST DUCT <b>DESCONTINUADO</b>
3	9703438	RING, RETAINING (S/P)
4	303836	BLOWER WHEEL ASSEMBLY & CLAMP
5	312967	CLAMP, BLOWER HOUSING (S/P)
6	Y312961	SCREW (S/P)
7	Y310632	SCREW (S/P)
8	306643	DUCT W/BRACKET & SCREWS (S/P)
9	Y313561	SCREW----NA (S/P)
10	306056	THERMISTOR TEMP CONTROL (S/P)
11	211294	SCREW (S/P)
12	306060	THERMOSTAT (S/P)
13	314848	SCREW (S/P)
14	306604	CUT-OFF, THERMAL (S/P)
15	312901	SEAL, BLOWER
16	Y313770	COVER FOR BLOWER HOUSING <b>DESCONTINUADO</b>
17	Y310632	SCREW (S/P)
18	901220	WIRE, GROUND (S/P)
19	Y313795	GUIDE FOR LINT SCREEN (S/P)
20	Y312961	SCREW (S/P)
21	314801	OUTLET DUCT & GRID (S/P)
21	306658	OUTLET DUCT & GRID ASSY <b>DESCONTINUADO</b>
22	214894	FASTENER, END CAP (S/P)
22	488660	FASTENER ON OUTLET DUCT (S/P)
23	314485	OUTLET DUCT AND GRID (S/P)
24	Y312961	SCREW (S/P)
25	Y313796	LINT SEAL (S/P)
26	Y312961	SCREW (S/P)
26	310557	WASHER (S/P)
27	33001003	LINT SCREEN
28	306637	EXHAUST DUCT ASSEMBLY <b>DESCONTINUADO</b>

Distribuidor Autorizado

SurteRápido.com

Venta de Refacciones  
Electrodomesticas

# LSE1000 GABINETE





## LSE1000 GABINETE

1	210866	TWIN SPEED NUT (S/P)
2	202476	UNBALANCE SWITCH (S/P)
2	213501	SCREW, NO.6-20 X 1-1/8 INCH (S/P)
3	206421	RELAY-MOTOR REVERSING
4	212949	SCREW (S/P)
4	215273	SPRING CLIP (S/P)
5	W10133335	RELAY (4 CONTACT)
6	206423	LOWER WIRE HARNESS-AC <b>DESCONTINUADO</b>
7	207207L	CABINET ALM <b>DESCONTINUADO</b>
7	206411L	CABINET-ALMOND <b>DESCONTINUADO</b>
7	213007	SCREW, CABINET (S/P)
7	213122	SCREW, CBNT.TO FRNT OF BASE (S/P)
8	22003410	HOSE, DRAIN
8	Y059137	HOSE 31/32`` PER FOOT BRANCH <b>DESCONTINUADO</b>
9	285655	HOSE CLAMP - 1-5/8 INCH (S/P)
10	208847	SIPHON BREAK ELBOW
11	214765	GASKET, SIPHON BREAK (S/P)
12	Y014874	SCREW (S/P)
12	206638	SIPHON BREAK(W/CLAMP) (S/P)
13	3367052	CLAMP, HOSE (S/P)
14	22001448	HOSE
15	215711	FASTENER, SPRING (S/P)
15	22001650	FASTENER, PANEL
16	215266	TRIM, FRONT PANEL <b>DESCONTINUADO</b>
17	206550L	FRONT PANEL-ALMOND <b>DESCONTINUADO</b>
17	22002651	PANEL, FRONT (ALM) (S/P)
17	213123	SCREW, NO.10 X 7/8 INCH----SUB (S/P)
17	910647	SCREW (S/P)
18	211294	SCREW (S/P)
18	213846	GUARD, BELT (S/P)
19	215075	FASTENER, CNTRL PNL TO CONSOLE (S/P)
20	22002331	SPACER, FRONT PANEL (S/P)
21	314609	CAUTION LABEL <b>DESCONTINUADO</b>

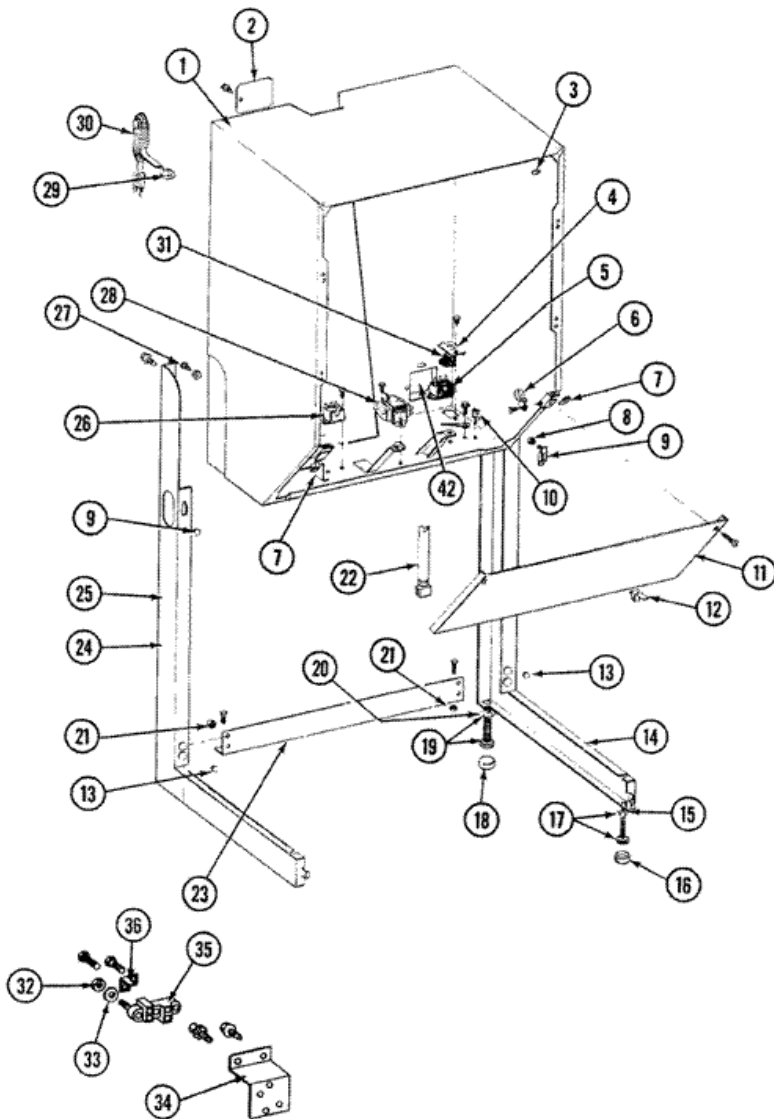
22	311484	NUT, TERMINAL BLOCK <b>(S/P)</b>
23	Y311270	WASHER, TERMINAL BLOCK <b>(S/P)</b>
24	400008	BLOCK, TERMINAL <b>(S/P)</b>
25	Y312904	BRACKET, TERMINAL BLOCK <b>(S/P)</b>
26	Y312184	STRAP, GROUND <b>(S/P)</b>

Distribuidor Autorizado

**SurteRápido.com**

Venta de Refacciones  
Electrodomesticas

## LSE1000 GABINETE







## LSE1000 GABINETE

1	306641L	CABINET, ALMOND <b>DESCONTINUADO</b>
2	Y313561	SCREW <b>(S/P)</b>
2	315275	COVER, TERMINAL <b>DESCONTINUADO</b>
3	312548	FASTENER-ACCESS PANEL TO CA <b>(S/P)</b>
4	314532	MOUNTING BRACKET <b>DESCONTINUADO</b>
4	211168	SCREW, NO.8 X 5/16 INCH <b>(S/P)</b>
5	306199	RELAY, HEATER
5	Y251119	SCREW <b>(S/P)</b>
6	W10339879	WIRE RETAINER-PLASTIC <b>(S/P)</b>
6	Y310632	SCREW <b>(S/P)</b>
7	215075	FASTENER, CNTRL PNL TO CONSOLE <b>(S/P)</b>
8	214872	PALNUT, END CAP <b>(S/P)</b>
9	314489	GUIDE, PIN <b>(S/P)</b>
10	Y313262	RETAINER, WIRE HARNESS <b>DESCONTINUADO</b>
11	314477	SCREW, ACCESS PANEL <b>(S/P)</b>
11	306072L	ACCESS PANEL-ALMOND <b>DESCONTINUADO</b>
12	314482	FASTENER, SPRING <b>(S/P)</b>
13	314498	PAD, DRYER LEG <b>(S/P)</b>
14	306073L	LEG ASSM, RIGHT-ALMOND <b>DESCONTINUADO</b>
15	Y052740	NUT <b>(S/P)</b>
16	314137	FOOT, RUBBER
17	305086	ADJUSTABLE LEG & NUT
18	210684	FOOT, RUBBER
19	22003428	LEG, ADJUSTABLE (W/NUT)
20	210385	NUT, LOCK <b>(S/P)</b>
21	Y052721	NUT <b>(S/P)</b>
22	306071	MICROPROCESSOR WIRE HARN <b>DESCONTINUADO</b>
22	306717	CNT. HARNESS MICRO <b>DESCONTINUADO</b>
23	314499	BRACE <b>DESCONTINUADO</b>
23	214354	SCREW <b>(S/P)</b>
24	306074L	LEG ASSM, LEFT-ALMOND <b>DESCONTINUADO</b>
25	33002516	STAND, DRYER(COMPLETE)(ALM) <b>(S/P)</b>
25	314663	SCREW <b>(S/P)</b>

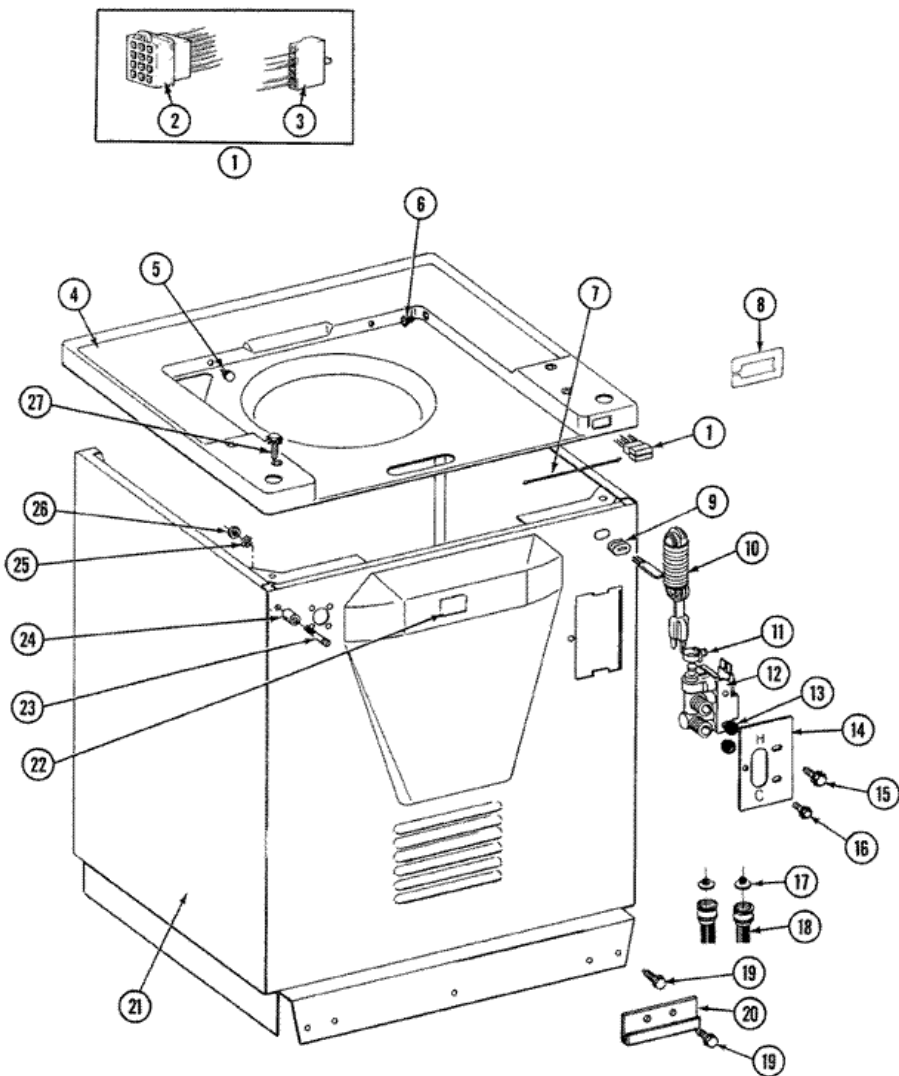
26	206824	RELAY (4 CONTACT)
26	Y251119	SCREW <b>(S/P)</b>
27	303846	SCREW & WASHER ASSY. <b>(S/P)</b>
28	212276	SCREW <b>(S/P)</b>
28	306062	TRANSFORMER
29	314507	STRAIN RELIEF <b>DESCONTINUADO</b>
30	33002916	CORD, POWER (CANADA) <b>(S/P)</b>
31	211168	SCREW, NO.8 X 5/16 INCH <b>(S/P)</b>
31	314522	STRAIN RELIEF <b>(S/P)</b>
32	311484	NUT, TERMINAL BLOCK <b>(S/P)</b>
33	Y311270	WASHER, TERMINAL BLOCK <b>(S/P)</b>
34	Y312904	BRACKET, TERMINAL BLOCK <b>(S/P)</b>
34	Y313561	SCREW <b>(S/P)</b>
34	Y310632	SCREW <b>(S/P)</b>
35	400008	BLOCK, TERMINAL <b>(S/P)</b>
35	Y312209	SCREW, NO.10-24 X 3/4 INCH <b>(S/P)</b>
36	Y312184	STRAP, GROUND <b>(S/P)</b>
37	306128	BRACE FOR STAND-ACCESSORY <b>DESCONTINUADO</b>
38	214519	LABEL, ELECTRICAL INSTRUCTION <b>DESCONTINUADO</b>
39	314486	LABEL <b>DESCONTINUADO</b>
40	313439	CAUTION LABEL <b>DESCONTINUADO</b>
41	314505	INSTRUCTION LABEL <b>DESCONTINUADO</b>
42	Y313561	SCREW <b>(S/P)</b>
42	315275	TERMINAL COVER <b>DESCONTINUADO</b>

Distribuidor Autorizado

SurteRápido.com

Venta de Refacciones  
Electrodomesticas

# LSE1000 GABINETE





## LSE1000 GABINETE

1	206422	WIRE HARNESS-DC (S/P)
1	Y312658	RECEPTACLE, SENSOR GROUND WIRE (S/P)
1	Y312953	RECEPTACLE <b>DESCONTINUADO</b>
1	912083	RECEPTACLE <b>DESCONTINUADO</b>
1	912080	ART NOT USED <b>DESCONTINUADO</b>
1	213076	PIN FOR PLUG <b>DESCONTINUADO</b>
1	206849	D.C. WIRE HARNESS <b>DESCONTINUADO</b>
1	206420	EDGE CONNECTOR ASSEMBLY <b>DESCONTINUADO</b>
1	912016	RECEPTACLE <b>DESCONTINUADO</b>
2	213087	HOUSING, MALE <b>DESCONTINUADO</b>
2	215539	PIN HOUSING <b>DESCONTINUADO</b>
3	206420	EDGE CONNECTOR ASSEMBLY <b>DESCONTINUADO</b>
4	206599L	TOP COVER-ALMOND <b>DESCONTINUADO</b>
4	214354	SCREW (S/P)
4	206636L	TOP COVER KIT-ALMOND <b>DESCONTINUADO</b>
5	215247	BUMPER FOR LID <b>DESCONTINUADO</b>
6	211500	WASHER, BRACKE TO TOP COVER (S/P)
6	53759	SCREW, NO.6-32 X 3/8 <b>DESCONTINUADO</b>
7	215274	TOP COVER RESTRAINT <b>DESCONTINUADO</b>
8	215437	CLIP FOR HARNESS <b>DESCONTINUADO</b>
9	2-11881	GROMMET, CORD
10	Y310376	CLIP, WIRE HARNESS (S/P)
10	206424	POWER CORD <b>DESCONTINUADO</b>
10	Y313559	SCREW (S/P)
11	201575	HOSE CLAMP (S/P)
12	206413	WATER VALVE-DC (S/P)
13	214337	SCREEN, VALVE (S/P)
14	22002371	BRACKET FOR WATER VALVE (S/P)
15	Y313561	SCREW (S/P)
16	212276	SCREW (S/P)
17	12001413	SCREEN WASHER, INLET HOSE (S/P)
18	Y013783	GASKET, INLET HOSE (S/P)
18	200672	INLET HOSE ASSY. (S/P)

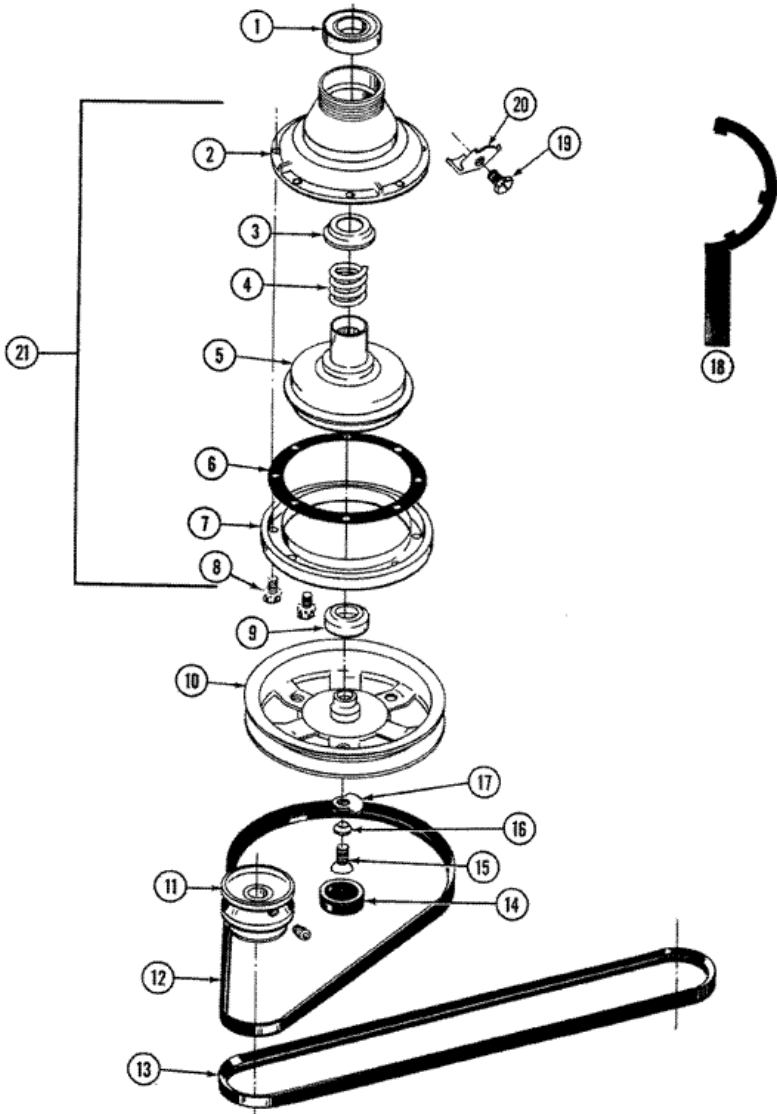
19	213121	SCREW <b>(S/P)</b>
20	215278	GLIDE FOR WASHER <b>DESCONTINUADO</b>
21	207207L	CABINET ALM <b>(S/P)</b>
23	215277	SCREW <b>(S/P)</b>
24	215513	BUSHING <b>(S/P)</b>
25	310557	WASHER <b>(S/P)</b>
26	Y052655	HEX. NUT, NO.8-32 <b>(S/P)</b>
27	214354	SCREW <b>(S/P)</b>

Distribuidor Autorizado

SurteRápido.com

Venta de Refacciones  
Electrodomesticas

## LSE1000 CLUTCH





## LSE1000 CLUTCH

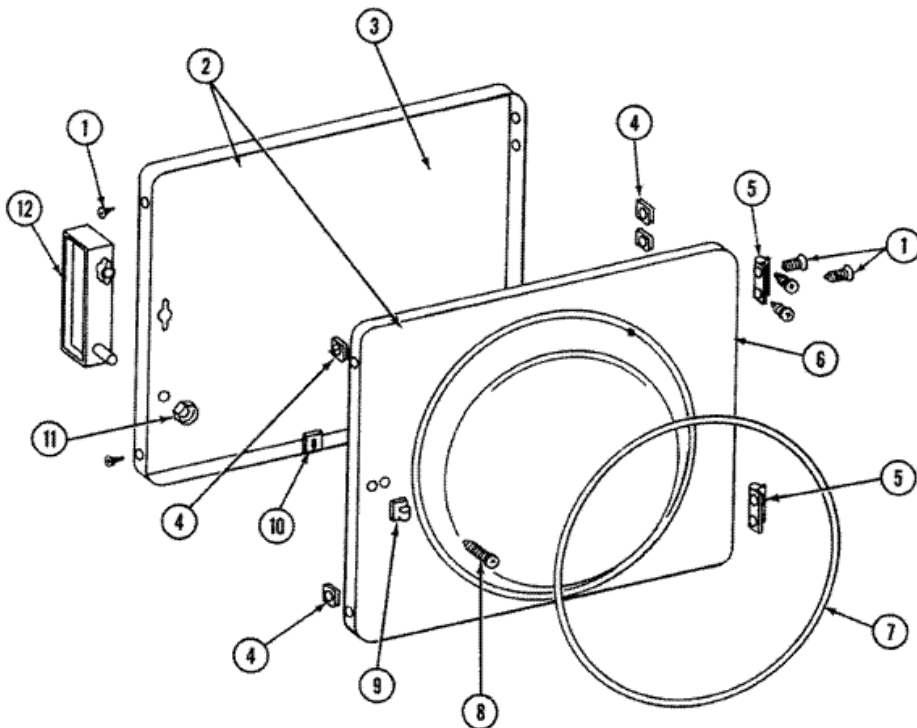
1	22003441	BALL BEARING, RADIAL
2	211045	HOUSING, BRAKE (S/P)
3	211039	RETAINER, BRAKE SPRING (S/P)
4	211041	SPRING, BRAKE (S/P)
5	201126	ROTOR, BRAKE (W/FACING) (S/P)
6	211042	GASKET, BRAKE DRUM (S/P)
7	211043	DRUM, BRAKE (S/P)
8	211000	SCREW, HEX HEAD (BRAKE DRUM) (S/P)
9	2-835	BEARING, BRAKE ROTOR
10	22002429	PULLEY, DRIVE
11	Y053241	SET SCREW, PULLEY (S/P)
11	2-816	PULLEY, MOTOR (W/SET SCREW)
12	2-11125	V BELT, DRIVE PULLEY
13	2-11124	V BELT, PUMP
14	211038	CAP, OIL RETAINER <b>DESCONTINUADO</b>
15	211375	SCREW, STOP LUG(CENTER SHAFT) (S/P)
16	22003555	WASHER, LOCK (S/P)
17	211089	LUG, STOP
18	Y038315	TOOL, BRAKE PKG ASSY <b>DESCONTINUADO</b>
19	213326	SCREW, RETAINING CLIP (S/P)
20	213325	CLIP, RETAINER (S/P)
21	201190	BRAKE ASSEMBLY (S/P)

Distribuidor Autorizado

SurteRápido.com

Venta de Refacciones  
Electrodomesticas

## LSE1000 PUERTA SECADORA



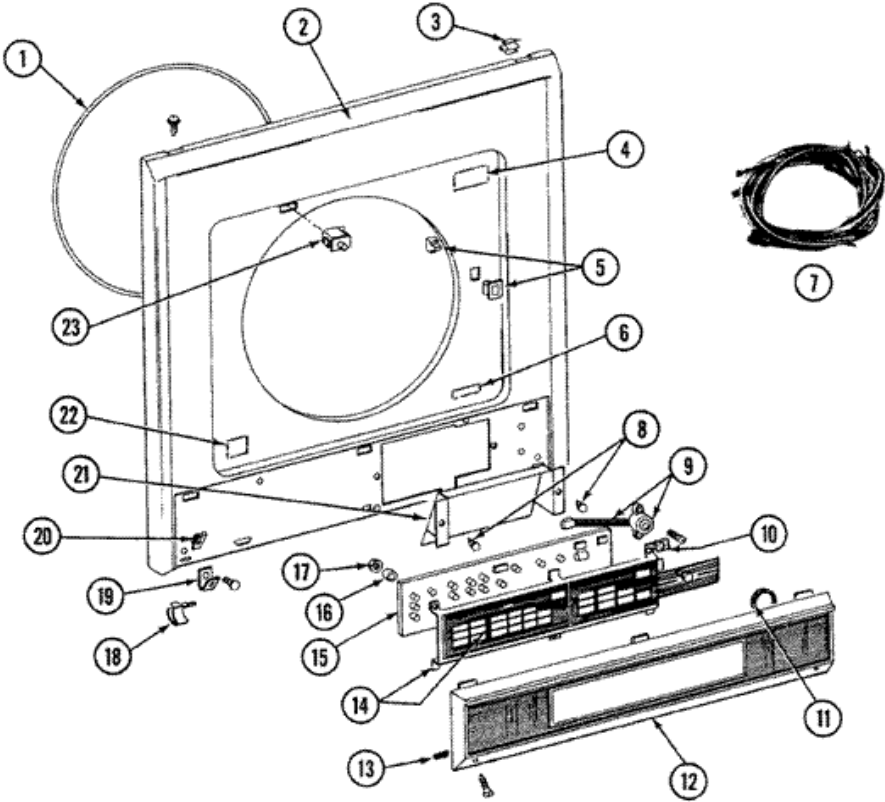




## LSE1000 PUERTA SECADORA

1	Y314062	SCREW <b>(S/P)</b>
2	306669L	DOOR, S1000 ALMOND <b>DESCONTINUADO</b>
3	314475L	PANEL, OUTER DOOR (ALM) <b>DESCONTINUADO</b>
4	Y313910	CLIP, DOOR LINER TO OUTER PNL <b>(S/P)</b>
5	33001230	DOOR HINGE <b>(S/P)</b>
6	306676	INNER DOOR WITH KNOB <b>DESCONTINUADO</b>
7	314077	DOOR SEAL <b>DESCONTINUADO</b>
8	312960	SCREW - INLET DUCT <b>(S/P)</b>
9	306436	DOOR LATCH KIT
10	Y313911	DOOR STRIKE RETAINER <b>(S/P)</b>
11	214872	PALNUT, END CAP <b>(S/P)</b>
12	314476	HANDLE, DOOR <b>DESCONTINUADO</b>

LSE1000 TABLERO

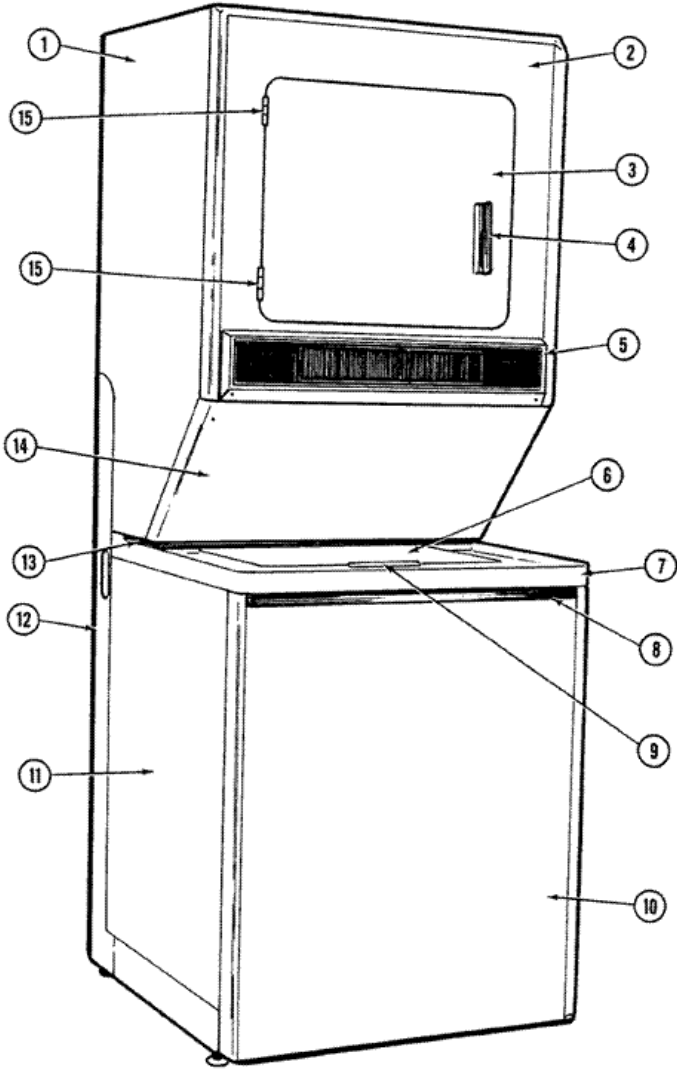




## LSE1000 TABLERO

2	314474L	FRONT PANEL-ALMOND <b>DESCONTINUADO</b>
3	Y310376	CLIP, WIRE HARNESS (S/P)
4	Y313927	INSTRUCTION LABEL <b>DESCONTINUADO</b>
5	306436	DOOR LATCH KIT
6	314609	CAUTION LABEL <b>DESCONTINUADO</b>
7	306071	MICROPROCESSOR WIRE HAR <b>DESCONTINUADO</b>
7	306079	MAIN WIRE HARNESS-ELECTRIC (S/P)
7	307134	MAIN WIRE HARNESS - SE1000 (S/P)
7	Y312953	RECEPTACLE <b>DESCONTINUADO</b>
7	Y307135	MAIN WIRE HARNESS <b>DESCONTINUADO</b>
7	910768	CABLE STRAP-HARNESS TO BASE (S/P)
7	306169	MAIN WIRE HARNESS-CANADA <b>DESCONTINUADO</b>
7	306717	CNT. HARNESS MICROPRO <b>DESCONTINUADO</b>
8	314523	CLIP <b>DESCONTINUADO</b>
9	306070	SPEAKER <b>DESCONTINUADO</b>
9	212949	SCREW (S/P)
10	912086	CLIP, SPEED <b>DESCONTINUADO</b>
11	314561	AIR SEAL <b>DESCONTINUADO</b>
12	306388	CONTROL PANEL <b>DESCONTINUADO</b>
12	210932	SCREW, NO.8 X 9/16 CTSK (S/P)
13	314560	SEAL, MOISTURE <b>DESCONTINUADO</b>
14	211294	SCREW (S/P)
14	306292	TOUCH PAD WITH BRACKET
15	306069	CONTROL ASSEMBLY (S/P)
16	912075	CIRCUIT BOARD SPACER <b>DESCONTINUADO</b>
17	912077	LOCKNUT (S/P)
18	314482	FASTENER, SPRING (S/P)
19	211294	SCREW (S/P)
19	314481	MOUNTING BRACKET <b>DESCONTINUADO</b>
20	215075	FASTENER, CNTRL PNL TO CONSOLE (S/P)
21	314517	SHIELD FOR MICROPROCESSOR <b>DESCONTINUADO</b>
22	314486	LABEL <b>DESCONTINUADO</b>
23	33001508	SWITCH, DOOR

**LSE1000 GABINETE**

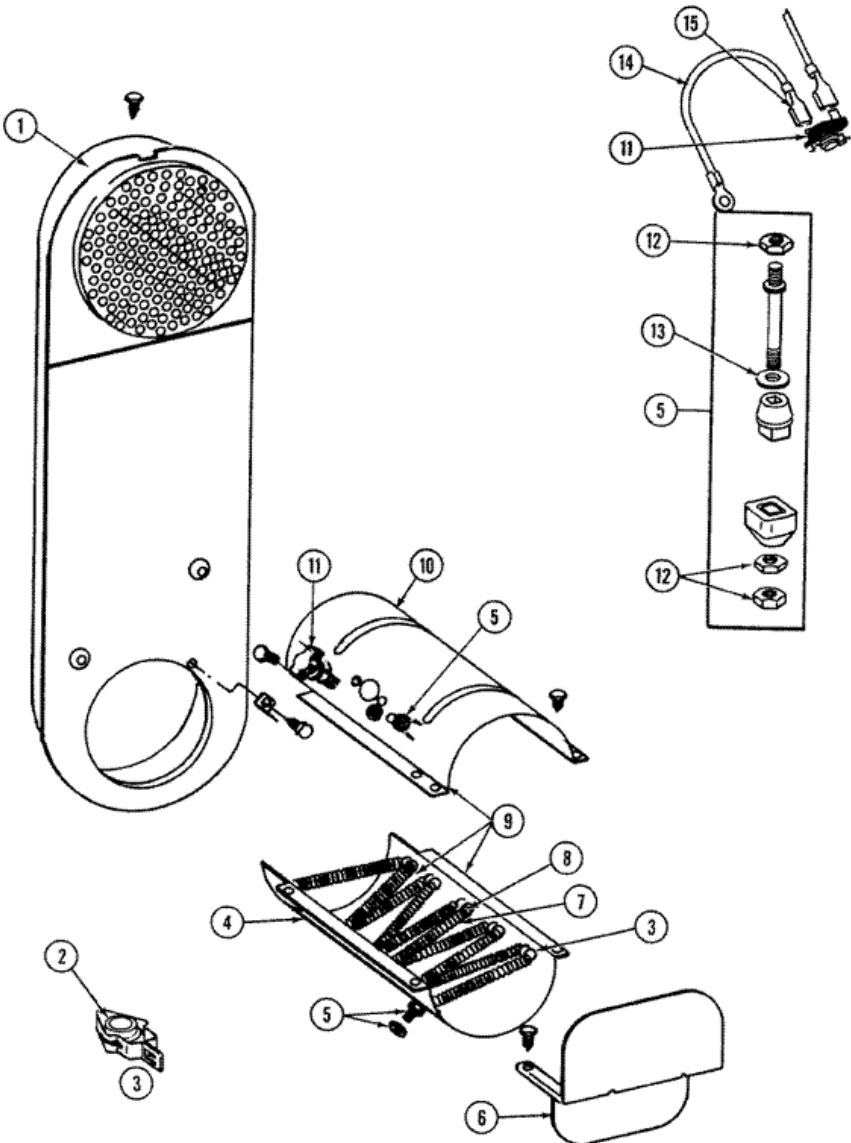




## LSE1000 GABINETE

1	306641L	CABINET, ALMOND <b>DESCONTINUADO</b>
2	314474L	FRONT PANEL-ALMOND <b>DESCONTINUADO</b>
3	314475L	PANEL, OUTER DOOR (ALM) <b>DESCONTINUADO</b>
4	314476	HANDLE, DOOR <b>DESCONTINUADO</b>
5	210932	SCREW, NO.8 X 9/16 CTSK <b>(S/P)</b>
5	306388	CONTROL PANEL <b>DESCONTINUADO</b>
6	215251L	LID-ALMOND <b>DESCONTINUADO</b>
7	206599L	TOP COVER-ALMOND <b>DESCONTINUADO</b>
7	206636L	TOP COVER KIT-ALMOND <b>DESCONTINUADO</b>
8	215266	TRIM, FRONT PANEL <b>DESCONTINUADO</b>
9	206667	HANDLE WITH NUTS <b>(S/P)</b>
10	206550L	FRONT PANEL-ALMOND <b>DESCONTINUADO</b>
10	22002651	PANEL, FRONT (ALM) <b>(S/P)</b>
11	207207L	CABINET ALM <b>DESCONTINUADO</b>
11	206411L	CABINET-ALMOND <b>DESCONTINUADO</b>
12	33002516	STAND, DRYER(COMPLETE)(ALM) <b>(S/P)</b>
13	215245L	BRIDGE FOR TOP COVER ALMOND <b>DESCONTINUADO</b>
14	306072L	ACCESS PANEL-ALMOND <b>DESCONTINUADO</b>
15	33001230	DOOR HINGE <b>(S/P)</b>

**LSE1000 RESISTENCIA (SE1000)**





## LSE1000 RESISTENCIA (SE1000)

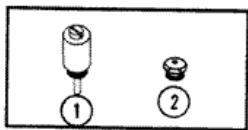
1	211294	SCREW <b>(S/P)</b>
2	Y313270	INSULATOR FOR HEATER ELEMEN <b>(S/P)</b>
3	Y303881	CLIP AND INSULATOR ASSEMBLY <b>(S/P)</b>
4	314501	HEATER ENCLOSURE-BOTTOM <b>(S/P)</b>
4	211294	SCREW <b>(S/P)</b>
5	Y304596	TERMINAL INSULATOR ASSEMBLY <b>(S/P)</b>
6	211294	SCREW <b>(S/P)</b>
6	314504	RADIANT SHIELD <b>(S/P)</b>
7	314503	HEATER COIL 240 VOLT <b>(S/P)</b>
8	306378	HEATING ELEMENT KIT - 208V <b>DESCONTINUADO</b>
9	Y306111	HEATER ASSEMBLY COMPLETE <b>(S/P)</b>
9	Y306379	HEATER ASSM. COMPLETE - 208 <b>DESCONTINUADO</b>
10	314502	HEATER ENCLOSURE-TOP <b>(S/P)</b>
11	211294	SCREW <b>(S/P)</b>
11	303396	THERMOSTAT, HI-LIMIT (ELEC)
11	303896	HI-LIMIT THERMOSTAT-CANADA <b>(S/P)</b>
12	311484	NUT, TERMINAL BLOCK <b>(S/P)</b>

Distribuidor Autorizado

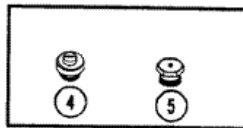
SurteRápido.com

Venta de Refacciones  
Electrodomesticas

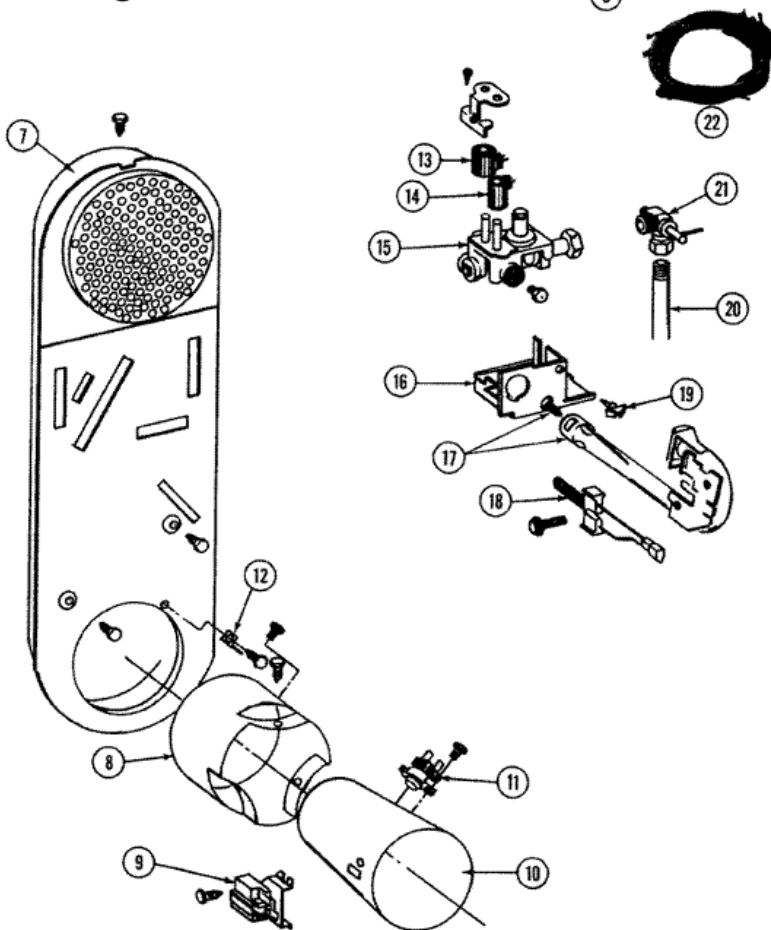
## LSE1000 RESISTENCIA (SG1000)



3



6







## LSE1000 RESISTENCIA (SG1000)

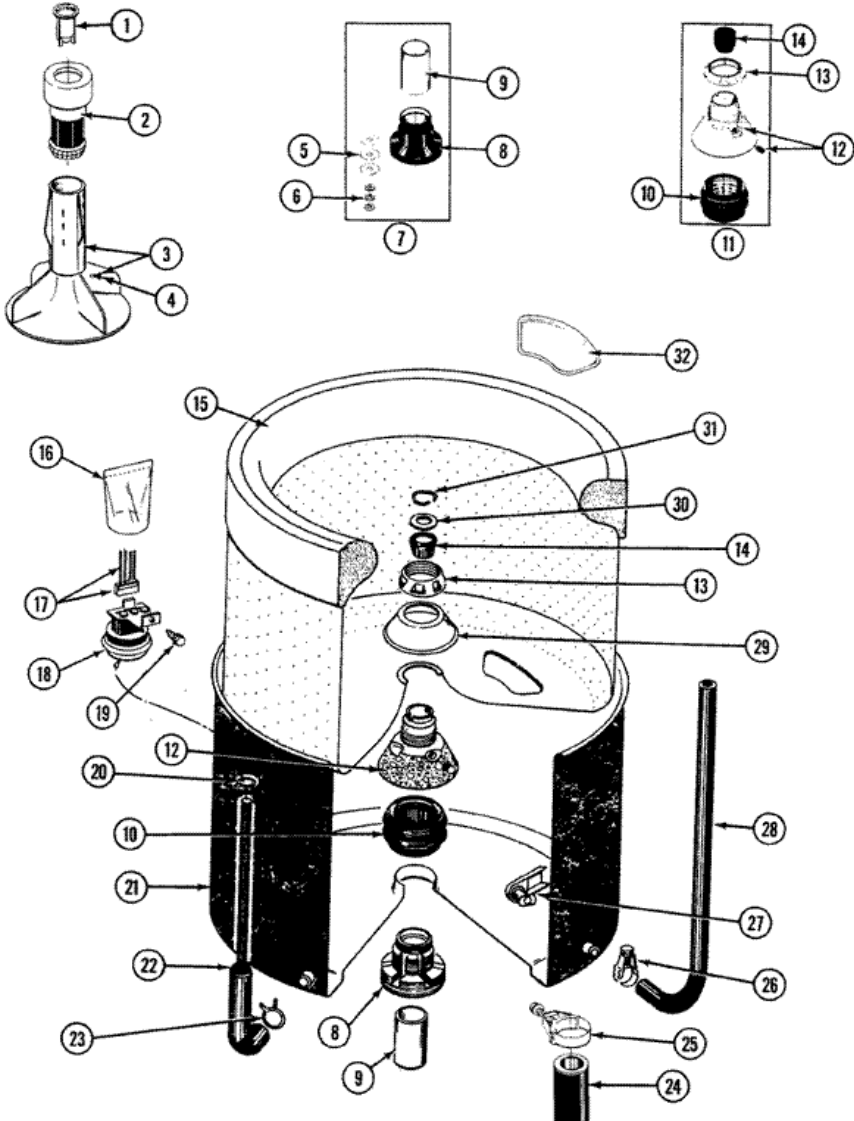
2	311640	ORIFICE FOR MAIN BURNER (S/P)
3	306205	CONVERSION KIT-NAT. TO LPG <b>DESCONTINUADO</b>
4	694424	LEAK LIMITER (LPG) (S/P)
5	314603	MAIN BURNER ORIFICE-NAT (S/P)
6	306206	CONVERSION KIT-LPG TO NAT. <b>DESCONTINUADO</b>
7	Y303369	INLET DUCT ASSEMBLY - DG (S/P)
7	211294	SCREW (S/P)
8	211294	SCREW (S/P)
8	314509	COMBUSTION CONE EXTENSION (S/P)
9	338906	SENSOR, RADIANT
9	211294	SCREW (S/P)
10	211294	SCREW (S/P)
10	Y303368	CONE, COMBUSTION (S/P)
11	211294	SCREW (S/P)
11	303395	THERMOSTAT, HI-LIMIT (GAS)
12	211294	SCREW (S/P)
12	Y312890	RETAINER, HEATER CHAMBER <b>DESCONTINUADO</b>
13	306106	COIL, HOLDING & BOOSTER (S/P)
14	694540	COIL, SECONDARY (S/P)
15	314082	SCREW (S/P)
15	306084	VALVE, GAS
16	314508	BRACKET FOR GAS VALVE (S/P)
17	306162	BURNER ASSEMBLY WITH SCREW <b>DESCONTINUADO</b>
17	Y251119	SCREW (S/P)
18	304971	SCREW (S/P)
18	304970	IGNITER ASSY, GAS VALVE
19	Y313262	RETAINER, WIRE HARNESS <b>DESCONTINUADO</b>
20	310454	MANIFOLD, 2 INCH <b>DESCONTINUADO</b>
21	306086	ANGLE SHUT OFF FOR GAS VALV (S/P)
22	306090	WIRE HARNESS FOR GAS VALVE (S/P)

Distribuidor Autorizado

SurteRápido.com

Venta de Refacciones  
Electrodomesticas

## LSE1000 TINAS





**LSE1000 TINAS**

1	215733	DISPENSING CUP (S/P)
1	2-12815	DISPENSER CUP <b>DESCONTINUADO</b>
2	206823	LINT FILTER – DISPENSER (S/P)
2	203320	LINT FILTER - DISPENSER <b>DESCONTINUADO</b>
3	205054	AGITATOR <b>DESCONTINUADO</b>
3	207538	AGITATOR W/LOCK SCREW/O-RIN (S/P)
4	206478	SCREW & WASHER FOR AGITATOR (S/P)
5	211100	WASHER, CUSHION (S/P)
6	Y054867	WASHER, LOCK (S/P)
7	2-4013	TUB BEARING REPAIR KIT
8	2-4013	BEARING, TUB
9	2-4013	LINER, TUB BEARING
10	201537	SEAL AND SPRING (S/P)
11	22204012	MOUNTING STEM REPAIR KIT
12	202521	MOUNTING STEM (S/P)
13	211047	NUT, CLAMPING (INNER TUB) (S/P)
14	A4298	SEAL, AGITATOR DRIVE SHAFT
15	207830	INNER TUB W/PLUG <b>DESCONTINUADO</b>
16	215081	POLY BAG (S/P)
17	206849	D.C. WIRE HARNESS <b>DESCONTINUADO</b>
17	206422	WIRE HARNESS-DC (S/P)
18	206418	WATER LEVEL SWITCH-DIGITAL (S/P)
19	313559	SCREW
20	410296	CLAMP, WATER LEVEL SWTCH TUBE (S/P)
21	206405	OUTER TUB (S/P)
22	22001616	AIR DOME AND TUBE (S/P)
23	211641	CLAMP, 1-1/16`` (S/P)
24	213045	DRAIN HOSE-TUB TO PUMP
25	99002468	CLAMP, SPRAY ARM HOSE (S/P)
26	489503	CLAMP - 15/16`` (S/P)
27	214434	SPOUT, DEFLECTOR (S/P)
28	2-14495	TUBE, INLET TO TUB (S/P)
29	211210	WASHER, CLAMPING NUT(STAINLESS) (S/P)

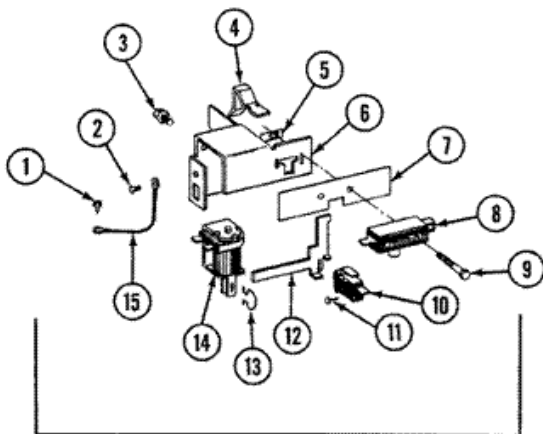
30	Y015666	WASHER, RETAINING(CENTER SEAL) <b>(S/P)</b>
31	Y015667	RETAINING RING <b>(S/P)</b>
32	215980	PLUG, FILTER HOLE <b>(S/P)</b>

Distribuidor Autorizado

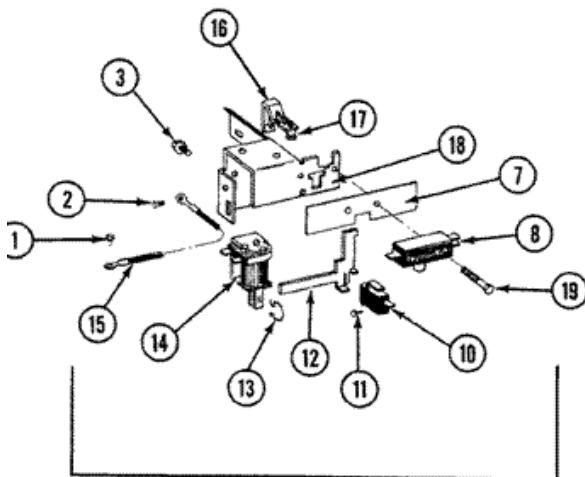
SurteRápido.com

Venta de Refacciones  
Electrodomesticas

## LSE1000 SWITCH PUERTA



PRIOR TO SERIES 01



SERIES 01



## LSE1000 SWITCH PUERTA

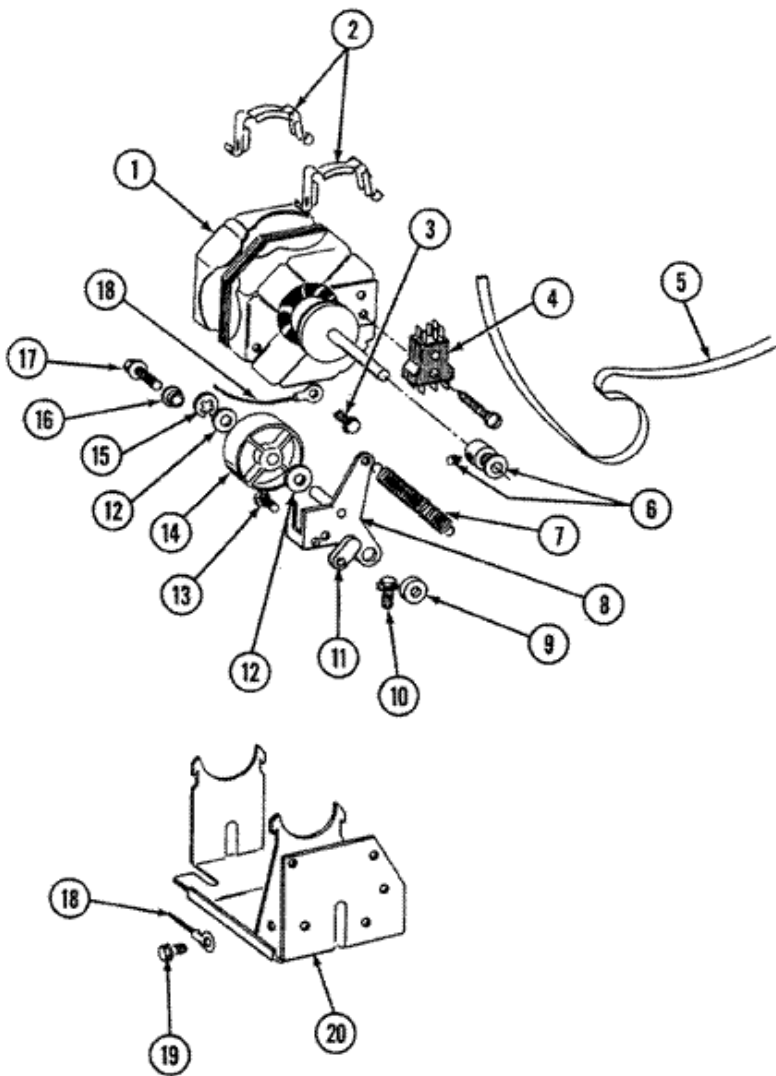
1	Y313559	SCREW (S/P)
2	211252	SCREW (S/P)
3	212951	SCREW, NO.6-32 X 1/4 INCH (S/P)
4	215269	LID SWITCH LEVER <b>DESCONTINUADO</b>
5	210866	TWIN SPEED NUT (S/P)
6	207848	LID SWITCH & LATCH BRACKET <b>DESCONTINUADO</b>
6	211000	SCREW, HEX HEAD (BRAKE DRUM) (S/P)
7	215270	MOISTURE BARRIER (S/P)
8	206415	LID SWITCH (S/P)
9	211500	WASHER, BRACKE TO TOP COVER (S/P)
9	213501	SCREW, NO.6-20 X 1-1/8 INCH (S/P)
10	206417	LOCK SWITCH (S/P)
11	912012	SCREW (S/P)
12	215268	LID LATCH LEVER <b>DESCONTINUADO</b>
13	215292	SPRING FOR SOLENOID <b>DESCONTINUADO</b>
14	206416	SOLENOID <b>DESCONTINUADO</b>
15	204807	GRND.WIRE, SUPP.PLTE TO TOP CVR (S/P)
16	215378	LID SWITCH LEVER <b>DESCONTINUADO</b>
17	213648	SCREW, HEX HD NO.8 X 5/8 (S/P)
18	215379	BRACKET, LID SWITCH/LATCH <b>DESCONTINUADO</b>
19	215381	SCREW <b>DESCONTINUADO</b>
20	206598	LID LATCH ASSEMBLY <b>DESCONTINUADO</b>

Distribuidor Autorizado

SurteRápido.com

Venta de Refacciones  
Electrodomesticas

## LSE1000 MOTOR SECADORA



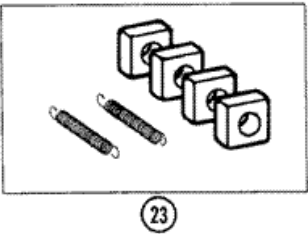
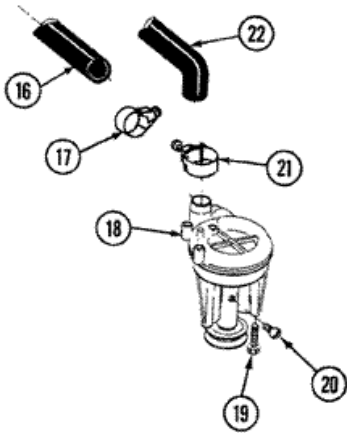
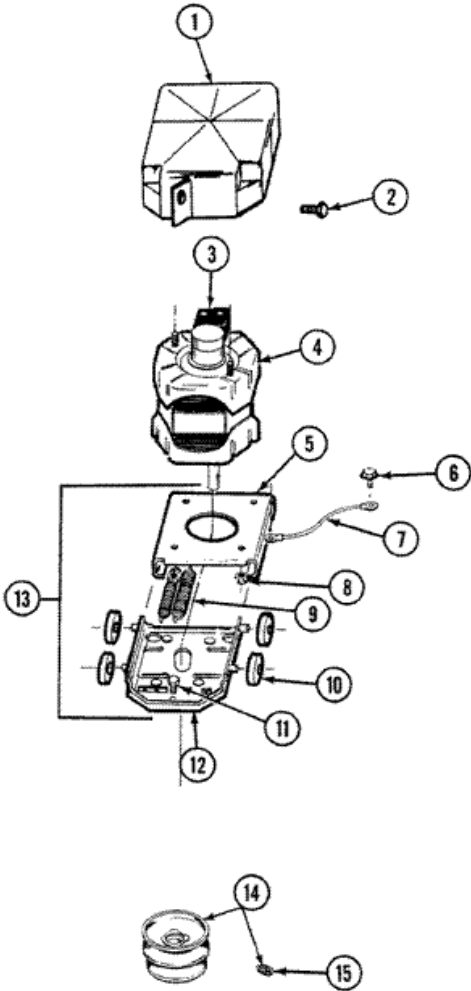


## LSE1000 MOTOR SECADORA

1	306055	MOTOR
2	Y015825	CLIP, MOTOR (S/P)
3	211294	SCREW (S/P)
4	306207	SWITCH, MOTOR START-PROD. <b>DESCONTINUADO</b>
4	Y303877	SWITCH, MOTOR <b>DESCONTINUADO</b>
5	312959	BELT, DRUM (S/P)
6	Y053241	SET SCREW, PULLEY (S/P)
6	306099	MOTOR PULLEY WITH SET SCREW (S/P)
7	314473	SPRING FOR IDLER (S/P)
8	303363	IDLER ARM & SHAFT ASSY.
9	314457	SPACER FOR IDLER ARM (S/P)
10	Y313561	SCREW (S/P)
11	314456	SPACER (S/P)
12	Y312527	WASHER, IDLER SHAFT (QTY-1) (S/P)
13	Y312057	SCREW, SPACER (S/P)
14	303705	PULLEY, IDLER
15	312958	RETAINING RING, IDLER SHAFT (S/P)
16	315772	SLEEVE, IDLER ARM (S/P)
17	Y310842	SCREW (S/P)
18	901220	WIRE, GROUND (S/P)
19	211294	SCREW (S/P)
20	306054	SUPPORT, MOTOR (S/P)



LSE1000 MOTOR LAVADO





**LSE1000 MOTOR LAVADO**

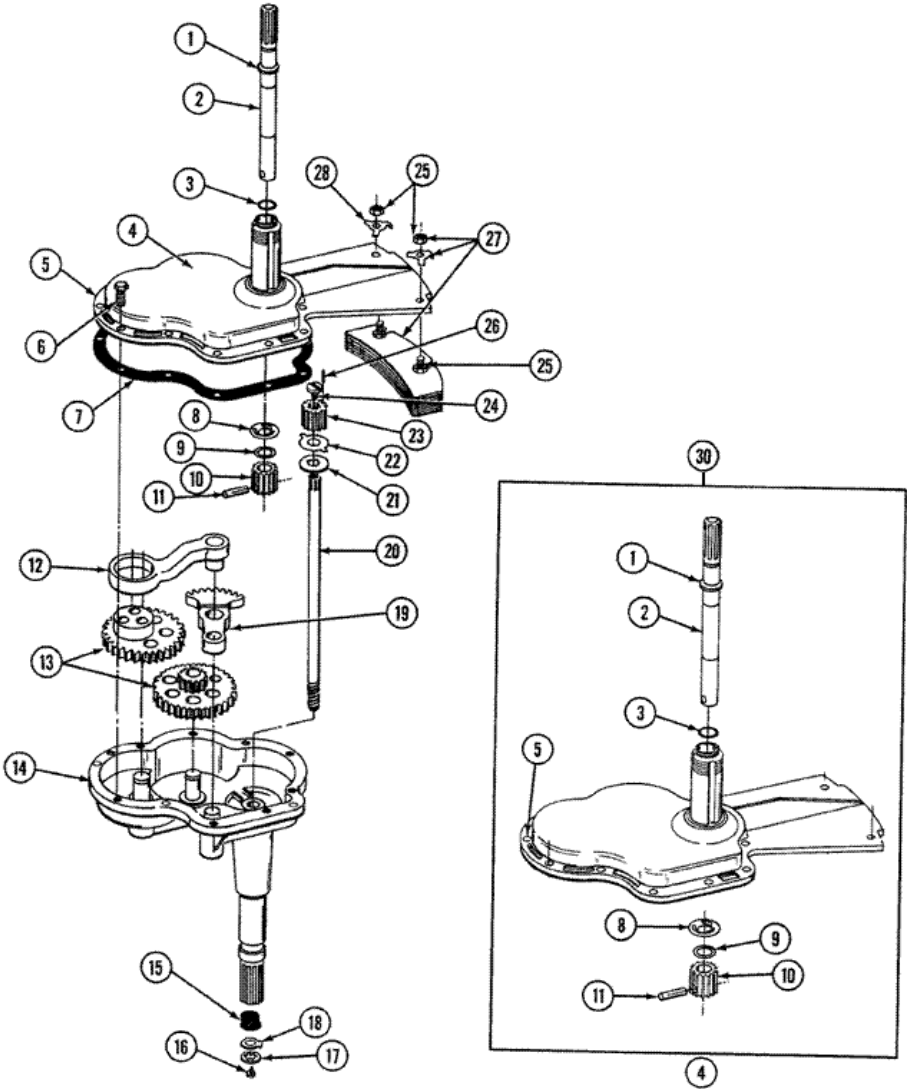
1	215098	SHIELD, MOTOR
2	213121	SCREW (S/P)
3	206505	SWITCH, MOTOR START <b>DESCONTINUADO</b>
3	205132	SWITCH, MOTOR START (S/P)
3	205133	MOTOR EXTERNAL START <b>DESCONTINUADO</b>
4	12002351	MOTOR (ONE SPEED)
5	214956	MOUNT, MOTOR/UPPER (S/P)
6	210186	SCREW, GROUND WIRE TO BASE (S/P)
7	901220	WIRE, GROUND (S/P)
8	Y311426	NUT, WASHERED LOCK (S/P)
9	2-5000	TENSION SPRINGS
10	2-5000	GLIDE KIT (4 W/POLY LUBE)
11	Y313561	SCREW (S/P)
12	205908	LOWER MOTOR MOUNT (S/P)
13	205999	MOTOR MOUNT ASSM COMPLETE
14	2-816	PULLEY, MOTOR (W/SET SCREW)
15	Y053241	SET SCREW, PULLEY (S/P)
16	22001448	HOSE
17	285655	HOSE CLAMP - 1-5/8 INCH (S/P)
18	2-2203	PUMP AS PAK
19	211880	SCREW, HEX HD NO.10 X 1/2 INC (S/P)
20	Y015408	SCREW, BEARING INSERT (S/P)
21	3367052	CLAMP, HOSE (S/P)
22	213045	DRAIN HOSE-TUB TO PUMP
23	2-5000	GLIDE & SPRING KIT

Distribuidor Autorizado

SurteRápido.com

Venta de Refacciones  
Electrodomesticas

# LSE1000 TRANSMISION





## LSE1000 TRANSMISION

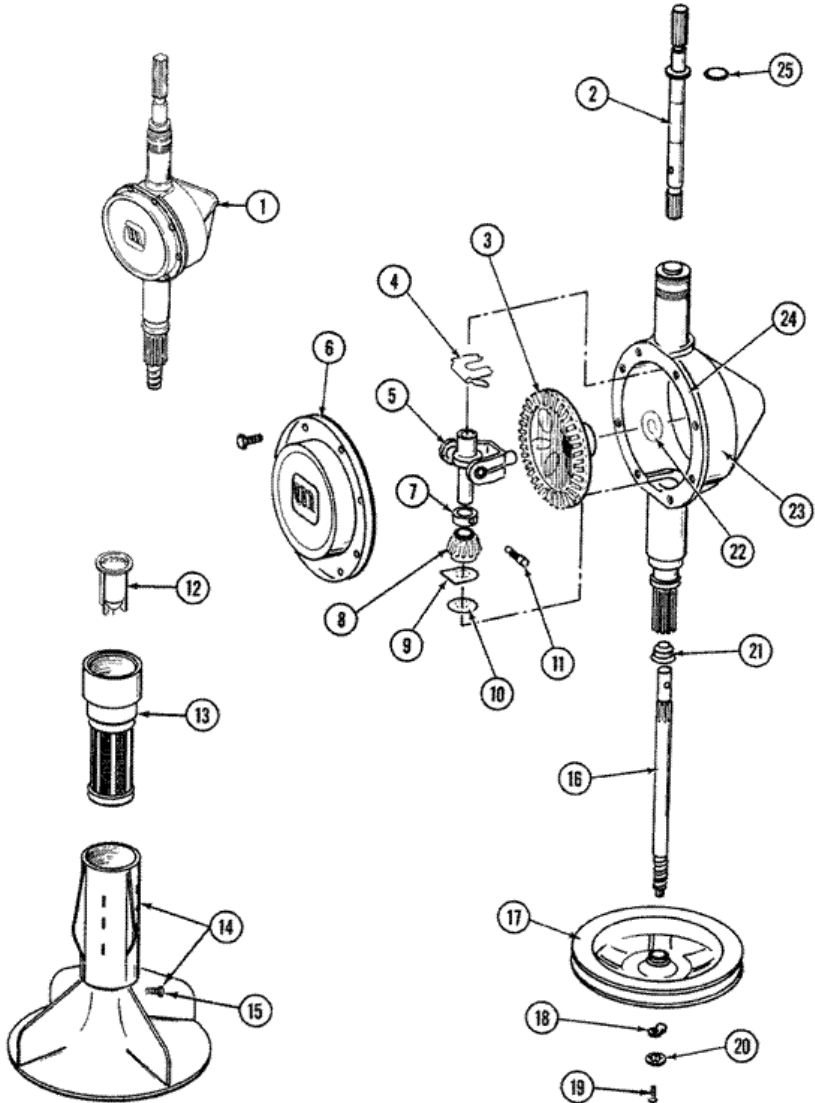
1	Y014839	COLLAR-DRIVE SHAFT (S/P)
2	22002124	AGITATOR SHAFT
3	210690	SEAL, RUBBER
4	200813	GEAR CASE COVER ASSEMBLY <b>DESCONTINUADO</b>
5	15639	DOWEL PIN (S/P)
6	Y015629	BOLT, GRINDING CHAMBER-DRAI (S/P)
7	22210632	GASKET
8	Y015902	SPRING FOR AGITATOR (S/P)
9	Y014827	WASHER-CENTER SHAFT (S/P)
10	210054	PINION (S/P)
11	210183	GROOV-PIN, 1/4 X 1-1/4
12	201463	PITMAN WITH WRIST PIN <b>DESCONTINUADO</b>
13	204967	GEAR KIT-POWER FIN AGITATOR
14	203193	GEAR HOUSING W/STUDS & TUBE <b>DESCONTINUADO</b>
15	207843	SEAL, LIP (CENTER SHAFT) (S/P)
16	2-11375	SCREW, STOP LUG(CENTER SHAFT)
17	22003555	WASHER, LOCK
18	211089	LUG, STOP
19	210670	SEGMENT
20	210286	SEAL (S/P)
20	213044	CENTER SHAFT
21	211483	WASHER, SPLINED
22	211484	LUG WASHER
23	210315	PINION
24	211486	SCREW, 3/8-16 X 1/2 INCH
25	Y052740	NUT (S/P)
26	211487	GROOV-PIN <b>DESCONTINUADO</b>
27	205811	COUNTERWEIGHT <b>DESCONTINUADO</b>
28	210172	LOCK WASHER <b>DESCONTINUADO</b>
29	22001650	TRANS LUBE - AUTO, 34 OZ.
30	22002227	TRANSMISSION KIT S1000 <b>DESCONTINUADO</b>

Distribuidor Autorizado

SurteRápido.com

Venta de Refacciones  
Electrodomesticas

# LSE1000 TRANSMISION ORBITAL





## LSE1000 TRANSMISION ORBITAL

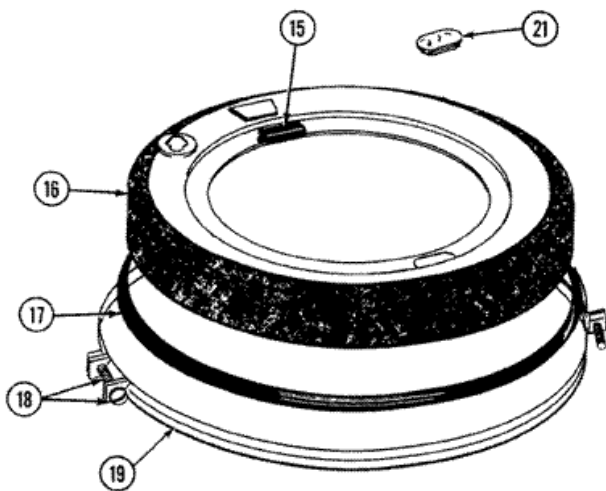
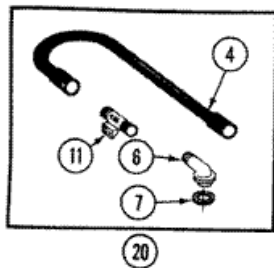
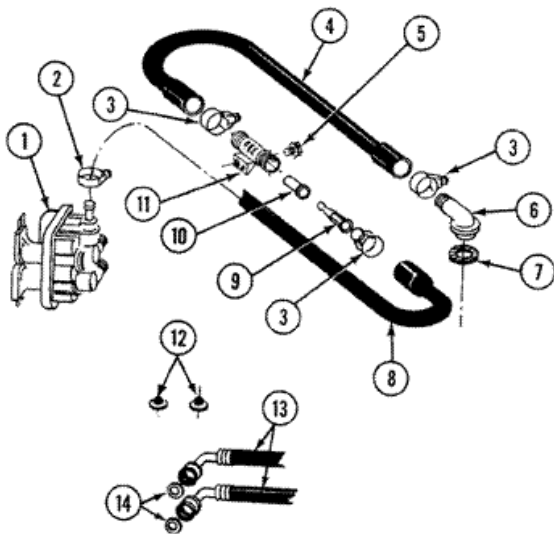
1	206707	TRANSMISSION, ORBITAL <b>(S/P)</b>
2	207153	SHAFT, AGITATOR (W/SPRING) <b>(S/P)</b>
3	206713	GEAR, BEVEL
4	215581	SPRING, AGITATOR SHAFT
5	206685	BLOCK, TORQUE AND YOKE ASSEMBL
6	206628	COVER, TRANSMISSION <b>(S/P)</b>
6	215417	SCREW, TRANSMISSION COVER <b>(S/P)</b>
7	215415	COLLAR, LOWER
8	215401	PINION
9	215395	PLATE, CLUTCH
10	211483	WASHER, SPLINED
11	Y206629	PIN, COLLAR
12	215733	DISPENSER CUP <b>(S/P)</b>
13	206823	LINT FILTER - DISPENSER <b>(S/P)</b>
14	207538	AGITATOR W/LOCK SCREW/O-RIN <b>(S/P)</b>
15	206478	SCREW & WASHER FOR AGITATOR
16	12001450	CENTER SHAFT - LARGER <b>(S/P)</b>
17	211059	PULLEY, DRIVE <b>(S/P)</b>
18	211089	LUG, STOP
19	211375	SCREW, STOP LUG(CENTER SHAFT) <b>(S/P)</b>
20	22003555	WASHER, LOCK
21	207843	SEAL, LIP (CENTER SHAFT)
22	215394	WASHER, BEVEL GEAR <b>(S/P)</b>
23	206624	HOUSING, TRANSMISSION <b>(S/P)</b>
24	675652	SILASTIC, ADH.SEALANT <b>(S/P)</b>
25	210690	SEAL, RUBBER

Distribuidor Autorizado

SurteRápido.com

Venta de Refacciones  
Electrodomesticas

## LSE1000 CUBIERTA





## LSE1000 CUBIERTA

1	206413	WATER VALVE-DC (S/P)
2	201575	HOSE CLAMP (S/P)
3	202515	HOSE CLAMP - 1-1/16 INCH
4	Y215234	INJECTOR FILL HOSE (S/P)
5	Y310632	SCREW (S/P)
6	215235	INJECTOR TUBE (S/P)
7	215233	SEAL FOR INJECTOR TUBE (S/P)
8	2-13013	HOSE, INJECTOR
9	2-13015	INJECTOR NOZZLE
10	216201	VALVE FOR INJECTOR SUB
11	22213057	SLEEVE FOR INJECTOR
12	12001413	SCREEN WASHER, INLET HOSE (S/P)
13	200672	INLET HOSE ASSY. (S/P)
14	Y013783	GASKET, INLET HOSE (S/P)
15	215232	UNBALANCE BUMPER (S/P)
16	206406	TUB COVER ASSEMBLY <b>DESCONTINUADO</b>
17	211232	SEAL (S/P)
18	205529	NUT & BOLT KIT FOR TUB CLAM
19	2-846	CLAMP - TUB COVER <b>DESCONTINUADO</b>
20	206531	INJECTOR HOSE KIT (S/P)
21	211723	WINDOW FOR TUB <b>DESCONTINUADO</b>

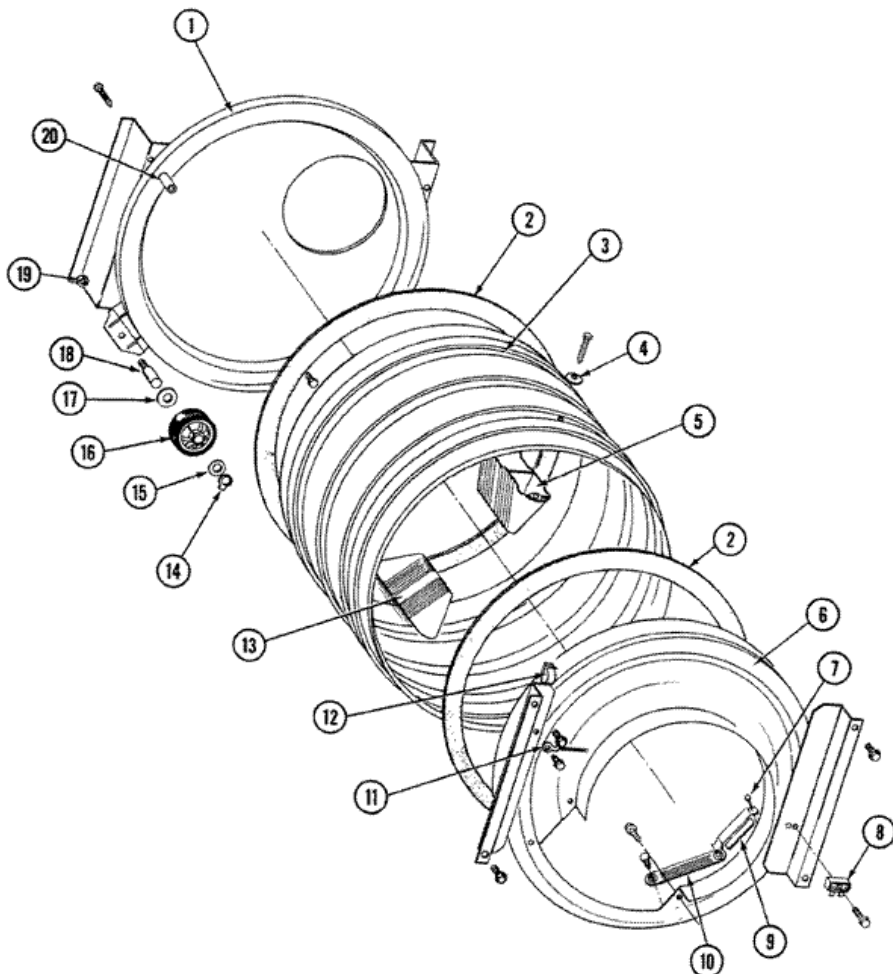


Distribuidor Autorizado

**SurteRápido.com**

Venta de Refacciones  
Electrodomesticas

## LSE1000 TAMBOR





**LSE1000 TAMBOR**

1	313764	SCREW <b>DESCONTINUADO</b>
1	211294	SCREW (S/P)
2	314820	SEAL, TUMBLER
2	33313541	TUMBLER SEAL
2	313764	SCREW <b>DESCONTINUADO</b>
3	Y310759	SCREW (S/P)
3	314469	TUMBLER <b>DESCONTINUADO</b>
3	33001177	TUMBLER, W/RIBS W/O BAFFLES (S/P)
4	314158	WASHER (S/P)
5	314468	BAFFLE - TALL <b>DESCONTINUADO</b>
5	314807	TUMBLER BAFFLE - TALL <b>DESCONTINUADO</b>
5	Y310759	SCREW (S/P)
6	306710	TUMBLER FRONT ASSEMBLY <b>DESCONTINUADO</b>
6	Y314110	SCREW, INLET DUCT (S/P)
6	Y310632	SCREW (S/P)
6	Y313561	SCREW (S/P)
6	306710	TUMBLER FRONT ASSEMBLY <b>DESCONTINUADO</b>
7	210720	RIVET (S/P)
8	306130	SPARK GAP ASSEMBLY (S/P)
8	314554	SCREW (S/P)
9	306508	TUMBLER BEARING KIT
10	Y251119	SCREW (S/P)
10	304997	SENSOR ASSEMBLY WITH SCREWS
11	211294	SCREW (S/P)
11	901220	WIRE, GROUND (S/P)
12	Y310376	CLIP, WIRE HARNESS (S/P)
13	314806	TUMBLER BAFFLE - SHORT (S/P)
13	Y310759	SCREW (S/P)
13	314467	BAFFLE - REGULAR <b>DESCONTINUADO</b>
14	9703438	RING, RETAINING (S/P)
15	312535	WASHER, ROLLER SHAFT (S/P)
16	12001541	BEARING & ROLLER ASSEMBLY
17	312535	WASHER, SPRING (ROLLER SHAFT) (S/P)

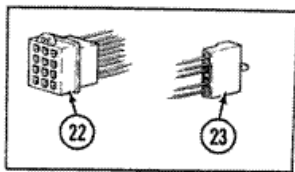
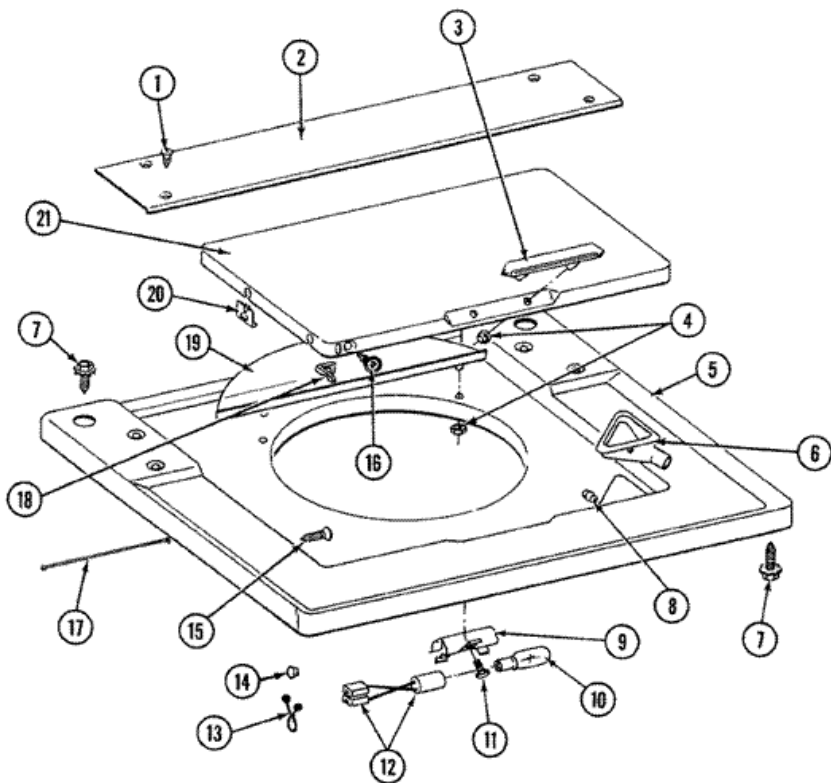
18	Y312948	SHAFT, TUMBLER ROLLER
19	312538	NUT, ROLLER SHAFT <b>(S/P)</b>
20	313915	COVER, THREAD <b>DESCONTINUADO</b>

Distribuidor Autorizado

SurteRápido.com

Venta de Refacciones  
Electrodomesticas

## LSE1000 PUERTA LAVADORA





## LSE1000 PUERTA LAVADORA

1	314664	SCREW (S/P)
2	215245L	BRIDGE FOR TOP COVER <b>DESCONTINUADO</b>
3	206667	HANDLE WITH NUTS (S/P)
3	215551	PALNUT (S/P)
3	215550	STUD FOR LID HANDLE (S/P)
4	215249	PALNUT-RETAINER (S/P)
5	206599L	TOP COVER-ALMOND <b>DESCONTINUADO</b>
5	206636L	TOP COVER KIT-ALMOND <b>DESCONTINUADO</b>
6	215580	CUP, BLEACH (ALM.) (S/P)
6	215374	GASKET FOR BLEACH CUP <b>DESCONTINUADO</b>
7	214354	SCREW (S/P)
8	215247	BUMPER FOR LID <b>DESCONTINUADO</b>
9	211003	BRACKET <b>DESCONTINUADO</b>
10	210310	PILOT LAMP (S/P)
11	211967	SCREW, NO.8-32 X 3/8 INCH (S/P)
12	211001	SEAL FOR LAMP SOCKET <b>DESCONTINUADO</b>
12	206408	SOCKET AND SEAL ASSEMBLY <b>DESCONTINUADO</b>
13	215272	WIRE TIE <b>DESCONTINUADO</b>
14	912006	WASHER <b>DESCONTINUADO</b>
15	211500	WASHER, BRACKE TO TOP COVER (S/P)
15	53759	SCREW, NO.6-32 X 3/8 <b>DESCONTINUADO</b>
16	211500	WASHER, BRACKE TO TOP COVER (S/P)
16	212087	SCREW, NO.6 X 1/2 INCH (S/P)
17	215274	TOP COVER RESTRAINT <b>DESCONTINUADO</b>
18	215254	LATCH HOOK <b>DESCONTINUADO</b>
19	215246	SPLASH SHIELD <b>DESCONTINUADO</b>
20	215253	KEY HOLE GLIDE (S/P)
21	215251	LID-WHITE <b>DESCONTINUADO</b>
21	215251L	LID-ALMOND <b>DESCONTINUADO</b>
22	215539	PIN HOUSING <b>DESCONTINUADO</b>
22	213087	HOUSING, MALE <b>DESCONTINUADO</b>
23	206420	EDGE CONNECTOR ASSEMBLY <b>DESCONTINUADO</b>
24	213076	PIN FOR PLUG <b>DESCONTINUADO</b>

24	912080	ART NOT USED <b>DESCONTINUADO</b>
24	912016	RECEPTACLE <b>DESCONTINUADO</b>
24	206849	D.C. WIRE HARNESS <b>DESCONTINUADO</b>
24	Y312953	RECEPTACLE <b>DESCONTINUADO</b>
24	206422	WIRE HARNESS-DC <b>(S/P)</b>
24	912083	RECEPTACLE <b>DESCONTINUADO</b>
24	Y312658	RECEPTACLE, SENSOR GROUND WIRE <b>(S/P)</b>