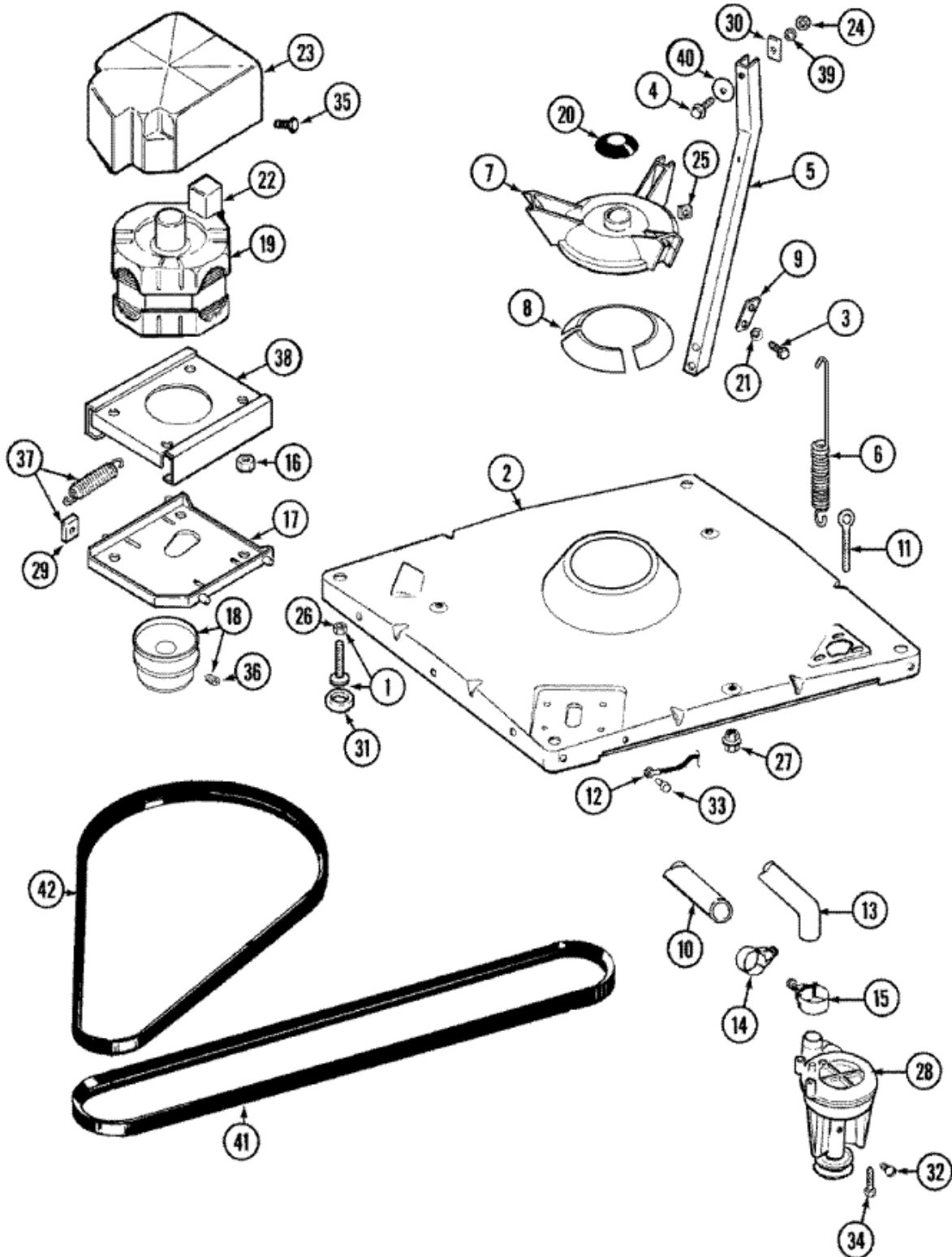


Distribuidor Autorizado

SurteRápido.com

Venta de Refacciones
Electrodomesticas

LSE7806ACE BASE





LSE7806ACE BASE

1	22003428	LEG, ADJUSTABLE (W/NUT)
2	22002151	CLIP, HOSE (S/P)
2	22002150	BASE (W/DAMPER PADS)
2	22003298	RETAINER, WIRE (S/P)
3	Y015627	SCREW, HEX HD CAP 5/16 X 5/8 (S/P)
4	200744	BOLT & GASKET ASSY.(SHORT) (S/P)
4	205254	BOLT & GASKET ASSEMBLY (LONG) (S/P)
5	213053	BRACE, TUB
6	22001300	SPRING, CENTERING
7	203725	DAMPER W/BOLT & CLIP (S/P)
8	203956	DAMPER PAD KIT (W/POLY LUBE)
9	213073	WASHER, DOUBLE (S/P)
10	22001448	HOSE
11	216416	BOLT, EYE/CENTERING SPRING (S/P)
12	901220	WIRE, GROUND (S/P)
13	213045	DRAIN HOSE-TUB TO PUMP
14	22001640	CLAMP, HOSE (S/P)
15	22001640	CLAMP, HOSE (S/P)
16	Y311426	NUT, WASHERED LOCK (S/P)
17	22001301	MOUNT, MOTOR LOWER-ASSEMBLY (S/P)
18	2-816	PULLEY, MOTOR (W/SET SCREW)
19	12002351	MOTOR (ONE SPEED)
20	22001586	DEFLECTOR, WATER (S/P)
21	486009	WASHER, LOCK (BRACE) (S/P)
22	205132	SWITCH, MOTOR START (S/P)
22	206505	DESCONTINUADO
23	215098	SHIELD, MOTOR
24	Y052734	NUT (S/P)
25	Y052785	NUT, BRACE TO DAMPER (S/P)
26	210385	NUT, LOCK (S/P)
27	211949	NUT, EYEBOLT (S/P)
28	2-2203	PUMP AS PAK
29	2-5000	GLIDE KIT (4 W/POLY LUBE)

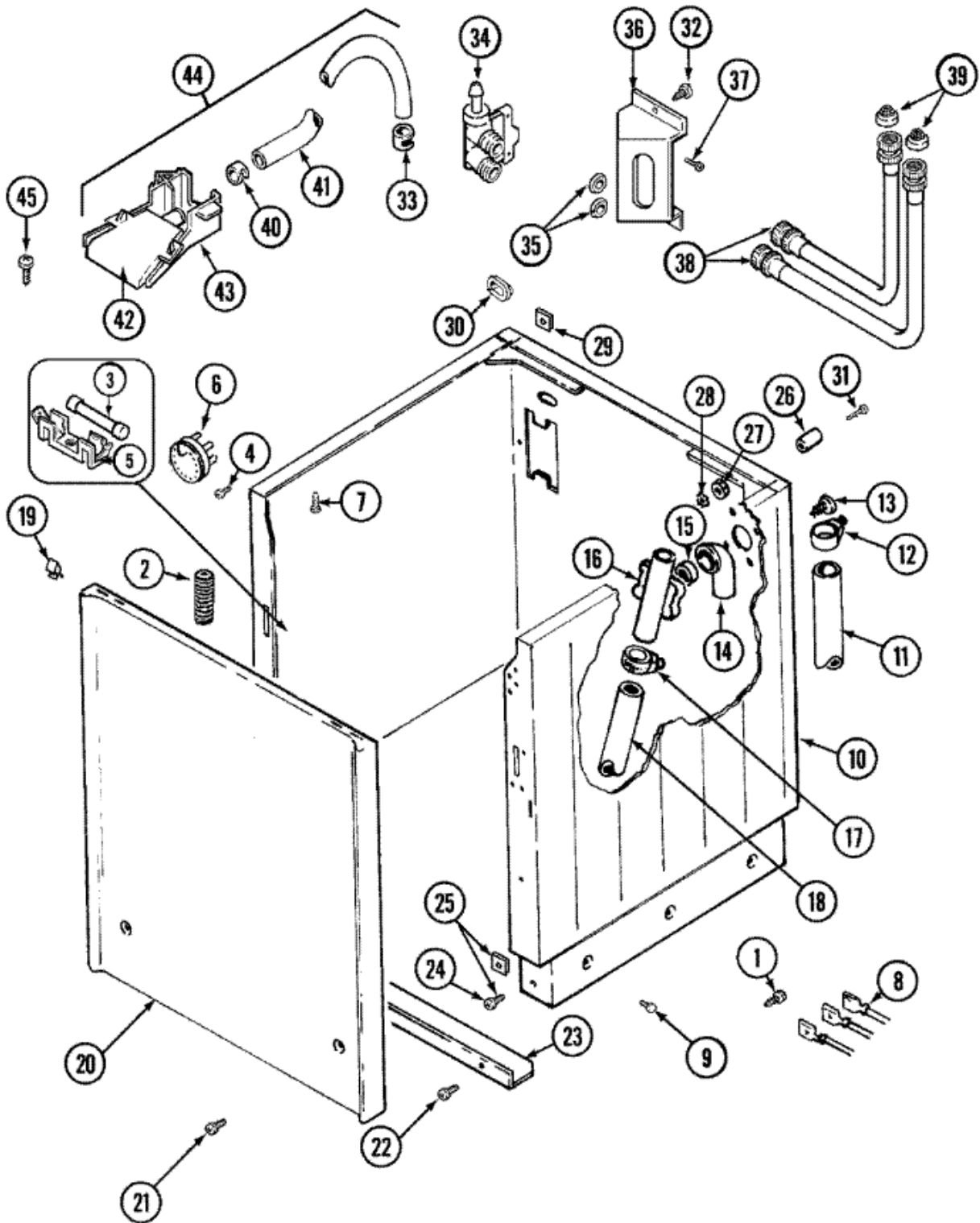
30	212979	WASHER, TUB BRACE (S/P)
31	210684	FOOT, RUBBER
32	Y015408	SCREW, BEARING INSERT (S/P)
33	Y705026	SCREW (S/P)
34	211880	SCREW, HEX HD No.10 X 1/2 INC (S/P)
35	213121	SCREW (S/P)
36	Y053241	SET SCREW, PULLEY (S/P)
37	2-5000	GLIDE & SPRING KIT
38	214956	MOUNT, MOTOR/UPPER (S/P)
39	Y054867	WASHER, LOCK (S/P)
40	211100	WASHER, CUSHION (S/P)
41	2-11124	V BELT, PUMP
42	2-11125	V BELT, DRIVE PULLEY

Distribuidor Autorizado

SurteRápido.com

Venta de Refacciones
Electrodomesticas

LSE7806ACE GABINETE





LSE7806ACE GABINETE

1	Y251119	SCREW (S/P)
2	211149	CLIP, CAPACITOR (S/P)
2	Y200832	CAPACITOR (S/P)
3	22001555	FUSE (250V 1A)
4	210720	RIVET (S/P)
5	207167	BLOCK, FUSE
6	12002304	SWITCH, WATER LEVEL (PRESSURE)
6	208783	WIRE JUMPER (S/P)
7	214354	SCREW (S/P)
8	22001585	DESCONTINUADO
9	213007	SCREW, CABINET (S/P)
10	22002133	CABINET (WHT) (S/P)
11	Y059149	(7/8" I.D. CARTON OF 50 FT.) (S/P)
11	216017	HOSE, DRAIN (7/8" I.D.) (S/P)
11	22002765	CLIP, HOSE (S/P)
11	22001816	HOSE, DRAIN (S/P)
11	22001820	CLAMP, HOSE (S/P)
11	22003410	HOSE, DRAIN
11	22003814	RETAINER, DRAIN HOSE (S/P)
12	200908	HOSE CLAMP - 1-1/2 INCH (S/P)
13	Y014874	SCREW (S/P)
14	216016	ELBOW, SIPHON BREAK
15	214765	GASKET, SIPHON BREAK
16	2-6638	SIPHON BREAK(W/CLAMP)
17	22001640	CLAMP, HOSE (S/P)
18	215365	HOSE (S/P)
19	215711	FASTENER, SPRING (S/P)
20	207205	PANEL, FRONT (WHT) (S/P)
21	22001898	SCREW (WHT) (S/P)
22	211294	SCREW (S/P)
23	213846	GUARD, BELT (S/P)
24	213122	DESCONTINUADO
25	204439	SCREW & FSTNER ASSY(FRT.PANEL)

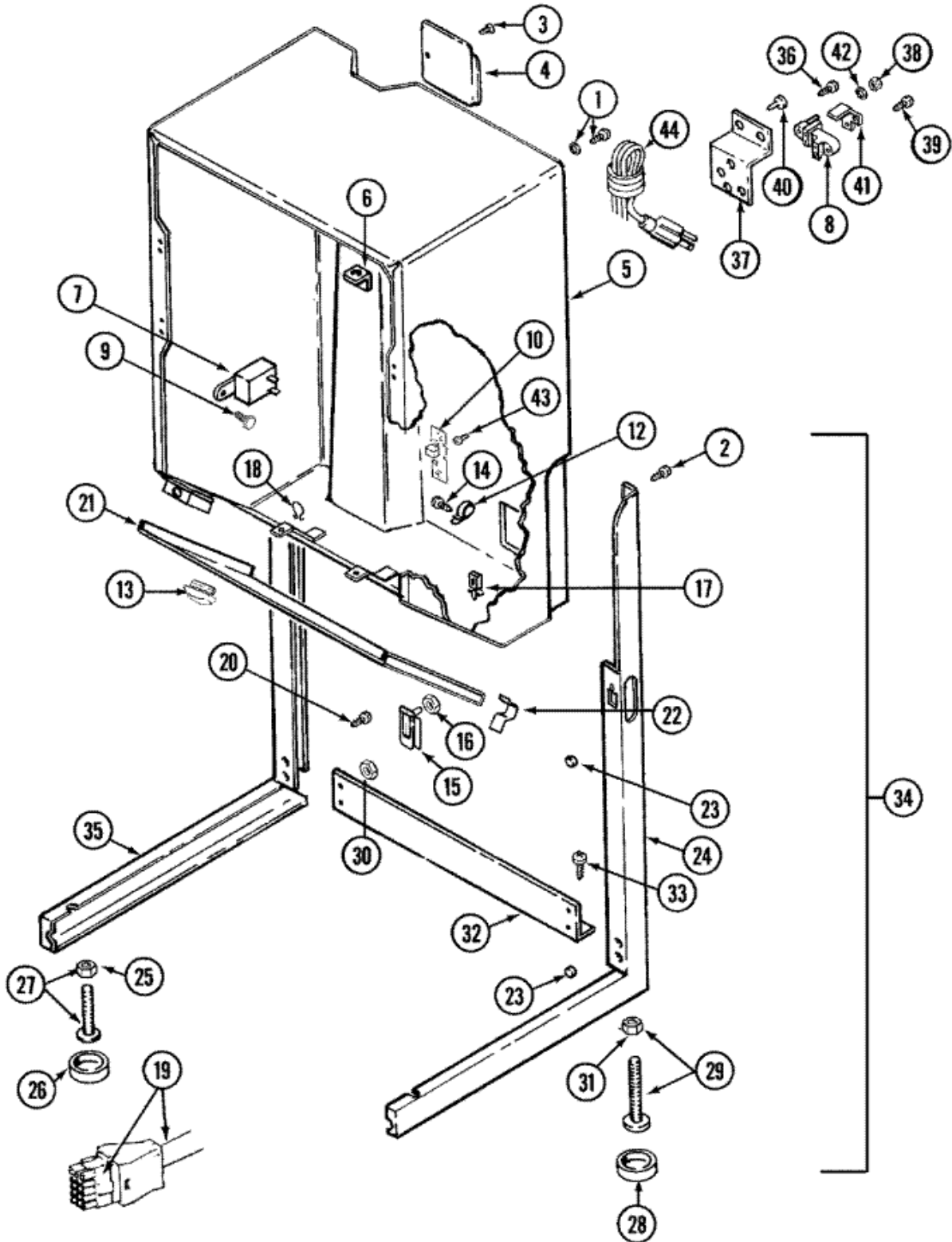
26	215276	BUSHING (S/P)
27	310557	WASHER (S/P)
28	Y052659	HEX. NUT, No.8-32 (S/P)
29	22001009	CLIP, SPRING (S/P)
30	215950	PLUG, HOLE (S/P)
31	215277	SCREW (S/P)
32	212276	SCREW (S/P)
33	216169	CLAMP, HOSE-INJEC.HOSE TO VALVE (S/P)
34	22002360	VALVE, WATER (S/P)
34	22001274	VALVE, WATER
35	Y013783	GASKET, INLET HOSE (S/P)
36	22002371	BRACKET FOR WATER VALVE (S/P)
36	22002361	BRACKET (S/P)
37	Y313561	DESCONTINUADO
37	22002372	SCREW (S/P)
38	200672	INLET HOSE ASSY. (S/P)
39	12001413	SCREEN WASHER, INLET HOSE (S/P)
40	216170	CLAMP, HOSE (S/P)
41	22001191	HOSE, INJECTOR (STACK) (S/P)
42	22001187	INJECTOR (UPR)
43	22001186	INJECTOR (LWR)
44	22001175	WATER INJECTOR ASSEMBLY (S/P)
45	215537	SCREW (S/P)
46	22001192	GLIDE (S/P)

Distribuidor Autorizado

SurteRápido.com

Venta de Refacciones
Electrodomesticas

LSE7806ACE GABINETE





LSE7806ACE GABINETE

1	303846	SCREW & WASHER ASSY. (S/P)
2	314663	SCREW (S/P)
3	Y313561	DESCONTINUADO
4	315275	COVER, TERMINAL (S/P)
5	308055	CABINET (WHT) (S/P)
6	312548	FASTENER-ACCESS PANEL TO CA (S/P)
7	33001623	BUZZER (S/P)
8	400008	BLOCK, TERMINAL (S/P)
9	211168	SCREW, No.8 X 5/16 INCH (S/P)
10	33001212	BOARD, CONTROL-MOISTURE SENSOR
11	306128	BRACE FOR STAND-ACCESSORY (S/P)
12	22001929	CLAMP, CABLE (S/P)
13	22001010	BUMPER (WHT) (S/P)
14	Y310632	SCREW (S/P)
15	314489	GUIDE, PIN (S/P)
16	214872	PALNUT, END CAP (S/P)
17	Y313262	RETAINER, WIRE HARNESS (S/P)
18	22003298	RETAINER, WIRE (S/P)
19	22001930	WIRE HARNESS (UPPER) (S/P)
19	33001553	HARNESS, WIRE (DRYER) (S/P)
20	314477	SCREW, ACCESS PANEL (S/P)
21	33001130	SHIELD, REFLECTIVE (S/P)
21	33001050	PANEL, ACCESS (WHT) (S/P)
22	314482	FASTENER, SPRING (S/P)
23	314498	PAD, DRYER LEG (S/P)
24	306073	LEG ASSY. (RT-WHT) (S/P)
25	Y052740	NUT (S/P)
26	314137	FOOT, RUBBER
27	305086	ADJUSTABLE LEG & NUT
28	210684	FOOT, RUBBER
29	22003428	LEG, ADJUSTABLE (W/NUT)
30	Y052721	NUT (S/P)
31	210385	NUT, LOCK (S/P)

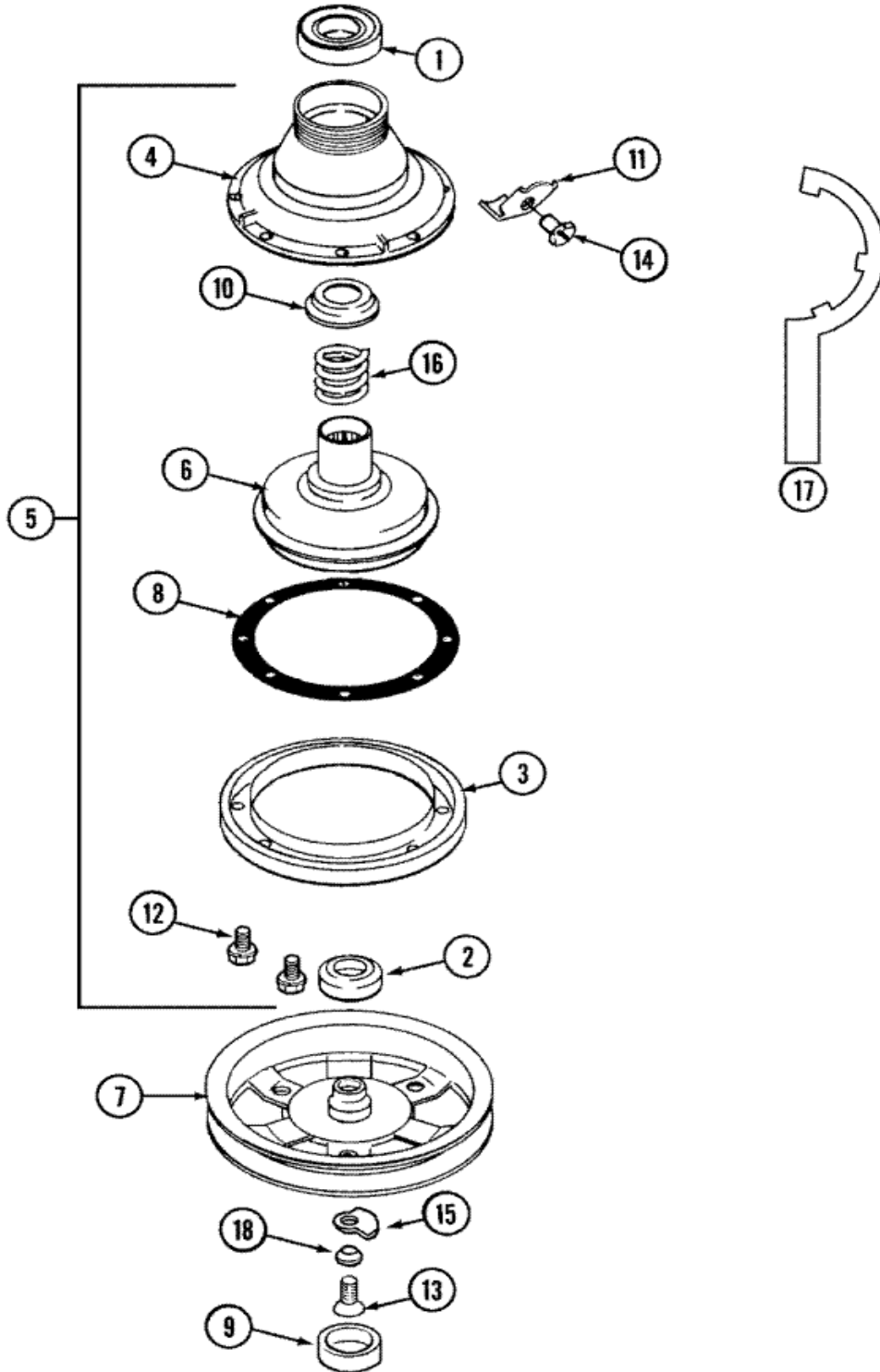
32	314499	BRACE (S/P)
33	214354	SCREW (S/P)
34	Y306110	STAND, DRYER (COMPLETE) (WHT) (S/P)
35	306074	DESCONTINUADO
36	Y312209	SCREW, No.10-24 X 3/4 INCH (S/P)
37	Y312904	BRACKET, TERMINAL BLOCK (S/P)
38	311484	NUT, TERMINAL BLOCK (S/P)
39	33001245	DESCONTINUADO
40	Y310632	SCREW (S/P)
41	Y312184	STRAP, GROUND (S/P)
42	Y311270	WASHER, TERMINAL BLOCK (S/P)
43	Y251119	SCREW (S/P)

Distribuidor Autorizado

SurteRápido.com

Venta de Refacciones
Electrodomesticas

LSE7806ACE CLUTCH





LSE7806ACE CLUTCH

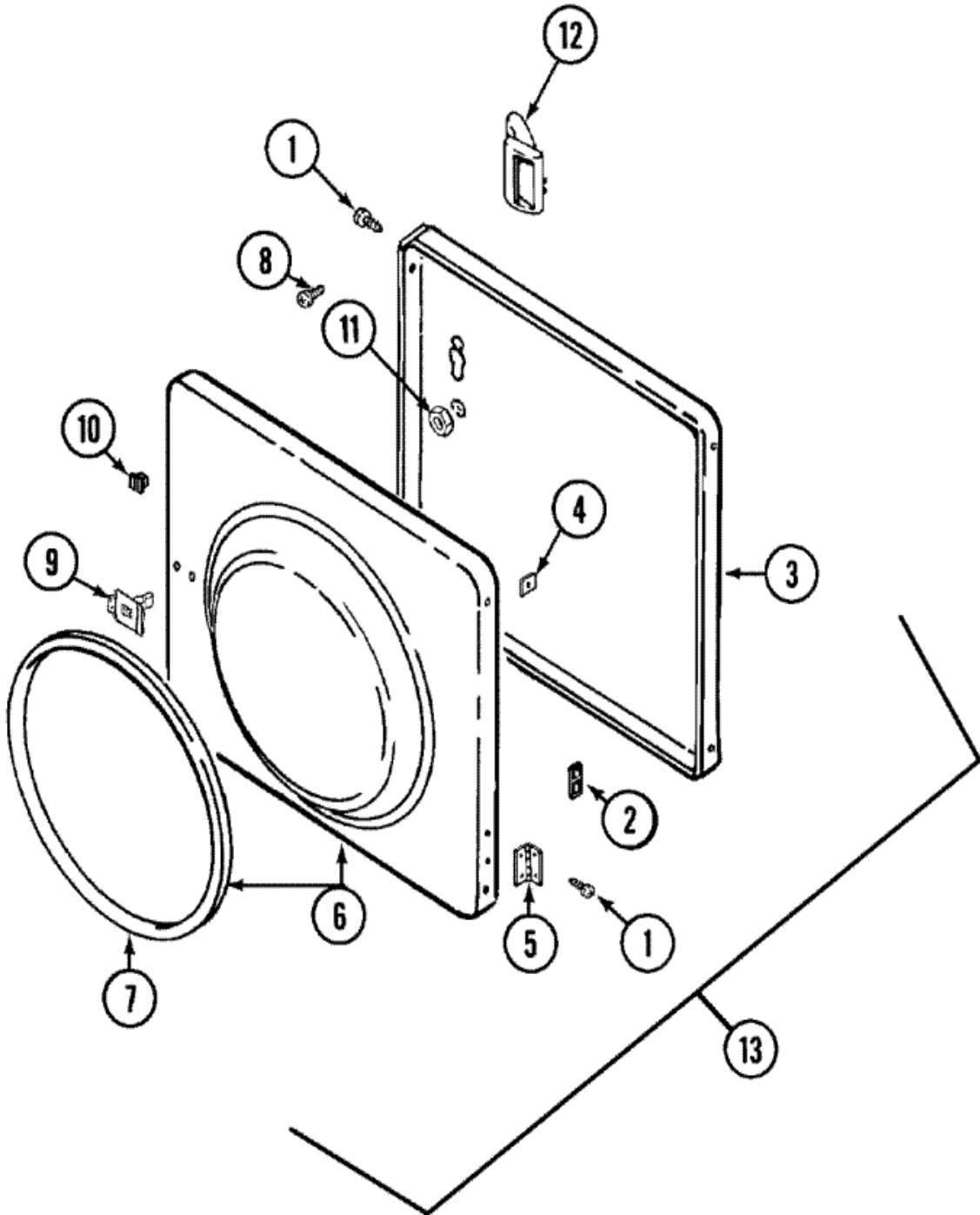
1	22003441	BALL BEARING, RADIAL
2	2-835	BEARING, BRAKE ROTOR
3	2-1190	DRUM, BRAKE
4	2-1190	HOUSING, BRAKE
5	2-1190	BRAKE ASSEMBLY
5	Y038315	DESCONTINUADO
6	2-1190	ROTOR, BRAKE (W/FACING)
7	22002429	PULLEY, DRIVE
7	22002431	PULLEY ASSEMBLY (S/P)
8	2-1190	GASKET, BRAKE DRUM
9	211038	DESCONTINUADO
9	22002428	COVER, DUST (PLASTIC) (S/P)
10	2-1190	RETAINER, BRAKE SPRING
11	213325	CLIP, RETAINER
12	211000	SCREW, HEX HEAD (BRAKE DRUM) (S/P)
13	2-11375	SCREW, STOP LUG(CENTER SHAFT)
14	213326	SCREW, RETAINING CLIP (S/P)
15	211089	LUG, STOP
16	2-1190	SPRING, BRAKE
17	38315	DESCONTINUADO
18	22003555	WASHER, LOCK

Distribuidor Autorizado

SurteRápido.com

Venta de Refacciones
Electrodomesticas

LSE7806ACE PUERTA





LSE7806ACE PUERTA

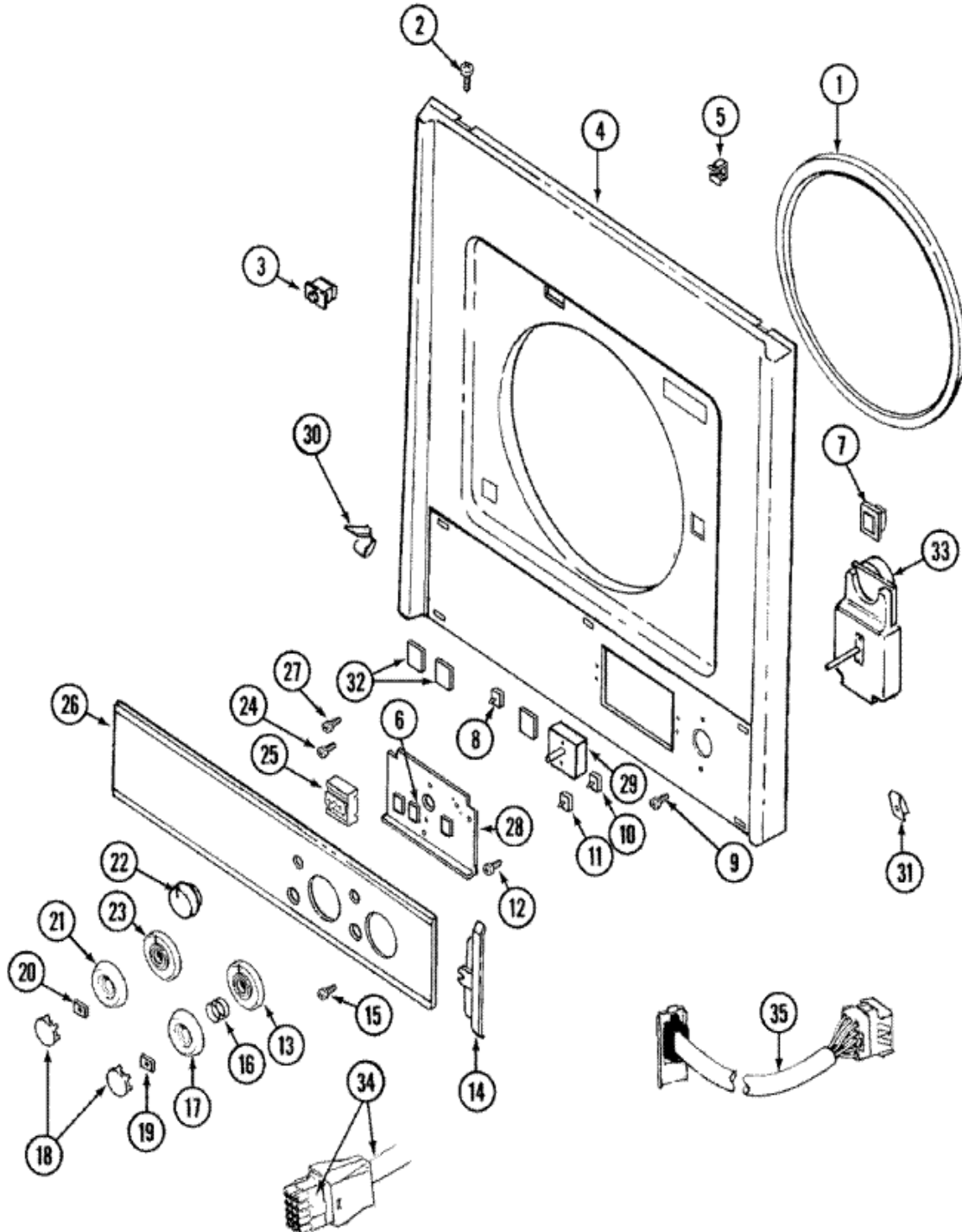
1	Y314062	SCREW (S/P)
2	Y313907	TWIN FASTENER (S/P)
2	33001222	SPEEDNUT, TWIN (S/P)
2	22001817	PAD, SOUND DAMPER (S/P)
3	314475	PANEL, OUTER DOOR (WHT) (S/P)
4	Y313910	CLIP, DOOR LINER TO OUTER PNL (S/P)
5	33001230	HINGE, DOOR (S/P)
6	33001002	DOOR, INNER (W/GASKET) (S/P)
7	33001005	SEAL, DOOR (S/P)
8	312960	SCREW - INLET DUCT (S/P)
9	LA-1003	CATCH, DOOR (FEMALE)
10	Y313911	DOOR STRIKE RETAINER (S/P)
11	214872	PALNUT, END CAP (S/P)
12	314476	DESCONTINUADO
13	33001111	DOOR, COMPLETE (WHT) (S/P)

Distribuidor Autorizado

SurteRápido.com

Venta de Refacciones
Electrodomesticas

LSE7806ACE TABLERO





LSE7806ACE TABLERO

1	314286	SEAL FOR FRONT PANEL
2	212277	SCREW, No.8 X 1/2 INCH (S/P)
3	33001509	SWITCH, DOOR
4	33001191	PANEL, FRONT (WHT) (S/P)
4	33001486	PANEL, FASTENER (S/P)
5	Y310376	CLIP, WIRE HARNESS (S/P)
6	315287	BUMPER SMALL (S/P)
7	LA-1003	CATCH, DOOR (FEMALE)
8	308017	SWITCH, DRYER TEMPERATURE
9	216042	SCREW (S/P)
10	22001923	SWITCH, WATER TEMPERATURE
11	22001188	SWITCH, ROTARY
12	211294	SCREW (S/P)
13	22001925	DIAL, WASHER TIMER (WHT)
14	315423	END CAP, CONTROL PANEL (WHT) (S/P)
15	211000	SCREW, HEX HEAD (BRAKE DRUM) (S/P)
16	211065	SPRING, TIMER KNOB (S/P)
17	22001198	DESCONTINUADO
18	22001446	CAP, KNOB (WHT)
19	211605	RETAINER, TIMER KNOB
20	312273	NUT (S/P)
21	33001255	KNOB, TIMER (WHT) (S/P)
22	22001663	KNOB, SELECTOR SWITCH (WHT) (S/P)
23	22001926	DIAL, DRYER TIMER (WHT) (S/P)
24	315317	SCREW, SWITCHES (S/P)
25	308449	PUSH TO START SWITCH W/BUTTON
26	22001927	PANEL, CONTROL (WHT) (S/P)
27	215952	SCREW (S/P)
28	315237	BRACKET FOR SWITCHES & TIMER (S/P)
29	33001034	TIMER, DRYER
30	314482	FASTENER, SPRING (S/P)
31	33001292	FASTENER, SPEEDNUT (S/P)
32	315286	BUMPER LARGE (S/P)

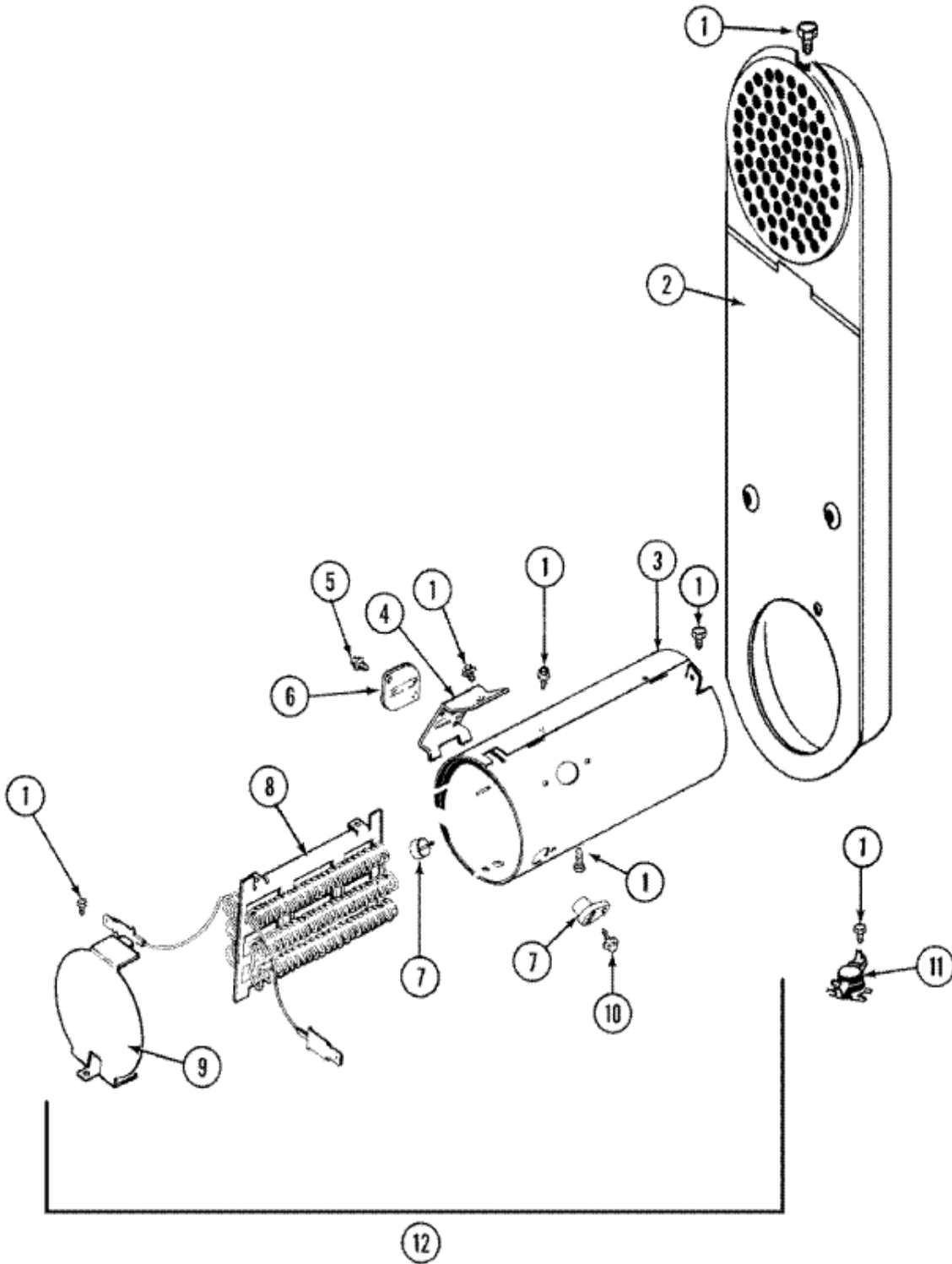
33	22002228	DESCONTINUADO
33	22001931	SPACER, TIMER (S/P)
33	22001924	TIMER, WASHER
33	22001932	RETAINER, WIRE (S/P)
34	22001930	WIRE HARNESS (UPPER) (S/P)
34	33001553	HARNESS, WIRE (DRYER) (S/P)
35	22004233	WIRE HARNESS (S/P)
35	22001585	DESCONTINUADO

Distribuidor Autorizado

SurteRápido.com

Venta de Refacciones
Electrodomesticas

LSE7806ACE RESISTENCIA





LSE7806ACE RESISTENCIA

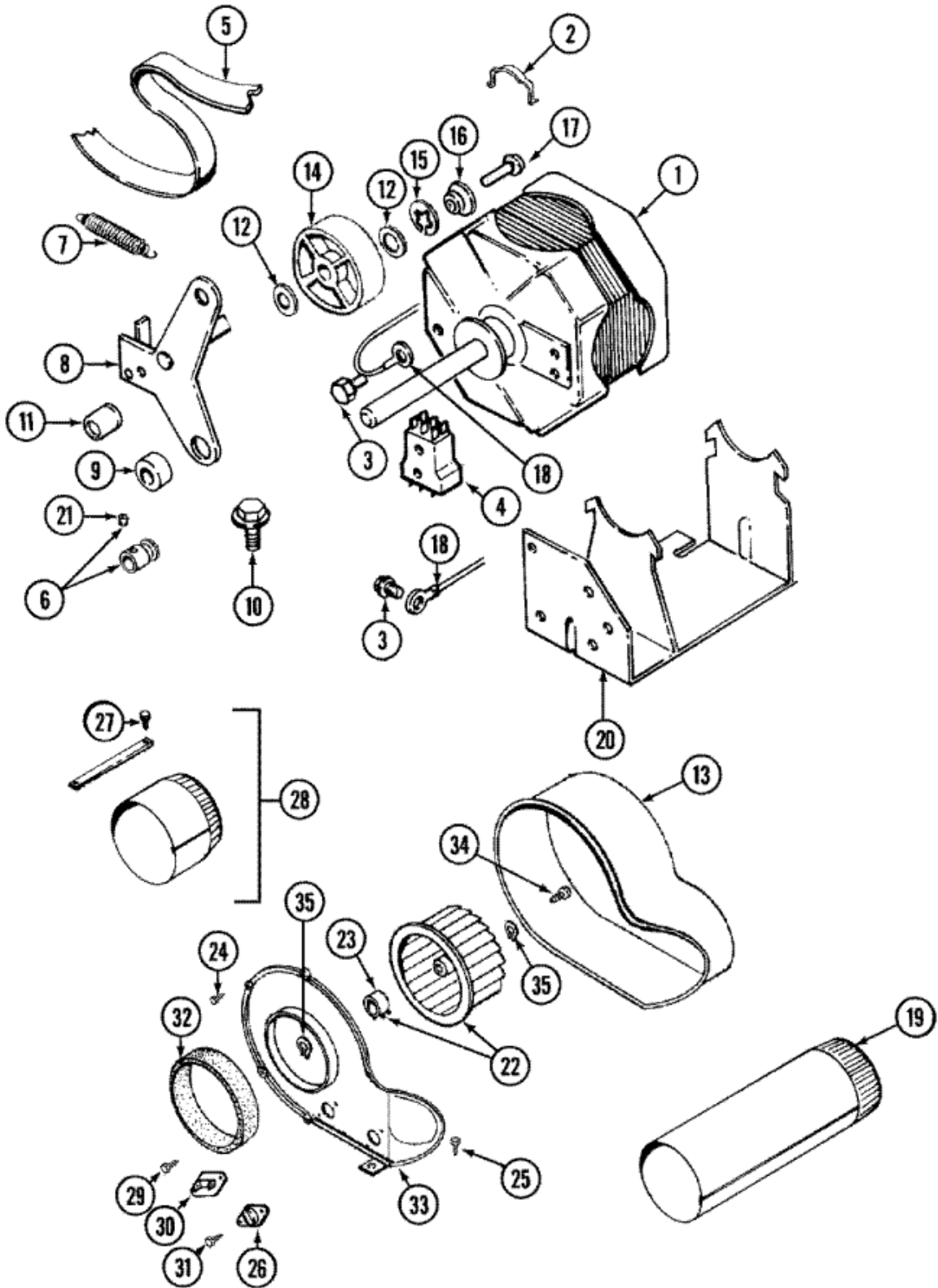
1	211294	SCREW (S/P)
2	303362	INLET DUCT ASSEMBLY – DE
3	314995	HEATER ENCLOSURE (S/P)
4	315346	BRACKET, THERMAL FUSE (S/P)
5	314848	SCREW (S/P)
6	307473	FUSE, THERMAL
7	314998	INSULATOR, TERMINAL (S/P)
8	307186	HEATER SUB-ASSEMBLY 240V (S/P)
9	33002682	RADIANT SHIELD (S/P)
10	314554	SCREW (S/P)
11	303396	THERMOSTAT, HI-LIMIT (ELEC)
12	33001400	HEATER ASSY. (240V) (S/P)
13	261935	DESCONTINUADO

Distribuidor Autorizado

SurteRápido.com

Venta de Refacciones
Electrodomesticas

LSE7806ACE MOTOR





LSE7806ACE MOTOR

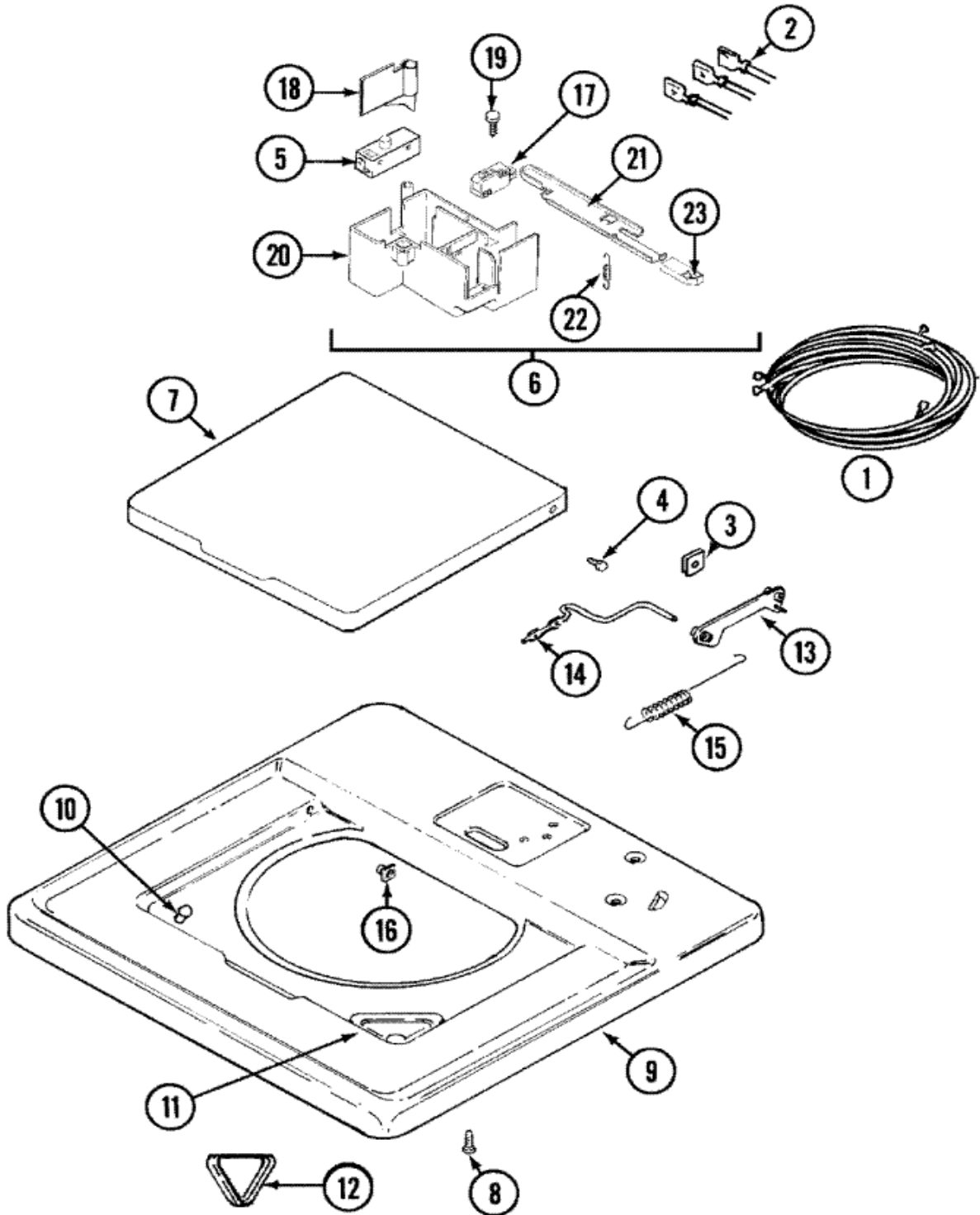
1	12002351	MOTOR, 1 SPEED 120V 60HZ
1	306055	MOTOR
2	Y015825	CLIP, MOTOR (S/P)
3	910343	SCREW, GROUND WIRE (S/P)
4	306207	DESCONTINUADO
4	Y303877	DESCONTINUADO
5	3-12959	BELT, DRUM
6	306099	MOTOR PULLEY WITH SET SCREW (S/P)
7	314473	SPRING FOR IDLER (S/P)
8	303363	IDLER ARM & SHAFT ASSY.
9	314457	SPACER FOR IDLER ARM (S/P)
11	314456	SPACER (S/P)
12	Y312527	WASHER, IDLER SHAFT (QTY-1) (S/P)
13	312893	HOUSING, BLOWER
14	303705	PULLEY, IDLER
15	312958	RETAINING RING, IDLER SHAFT (S/P)
16	315772	SLEEVE, IDLER ARM (S/P)
17	Y310842	SCREW (S/P)
18	901220	WIRE, GROUND (S/P)
19	306637	EXHAUST DUCT ASSEMBLY (S/P)
20	306054	SUPPORT, MOTOR (S/P)
21	Y053241	SET SCREW, PULLEY (S/P)
22	303836	BLOWER WHEEL ASSEMBLY & CLAMP
23	312967	CLAMP, BLOWER HOUSING
26	306911	THERMOSTAT, (ELEC) MULTI-TEMP
27	Y310632	SCREW (S/P)
28	306643	DUCT W/BRACKET & SCREWS (S/P)
29	211294	SCREW (S/P)
30	306604	CUT-OFF, THERMAL (S/P)
32	312901	SEAL, BLOWER
33	314846	COVER, BLOWER HOUSING (S/P)
35	410233	RING, RETAINING (S/P)

Distribuidor Autorizado

SurteRápido.com

Venta de Refacciones
Electrodomesticas

LSE7806ACE TAPA





LSE7806ACE TAPA

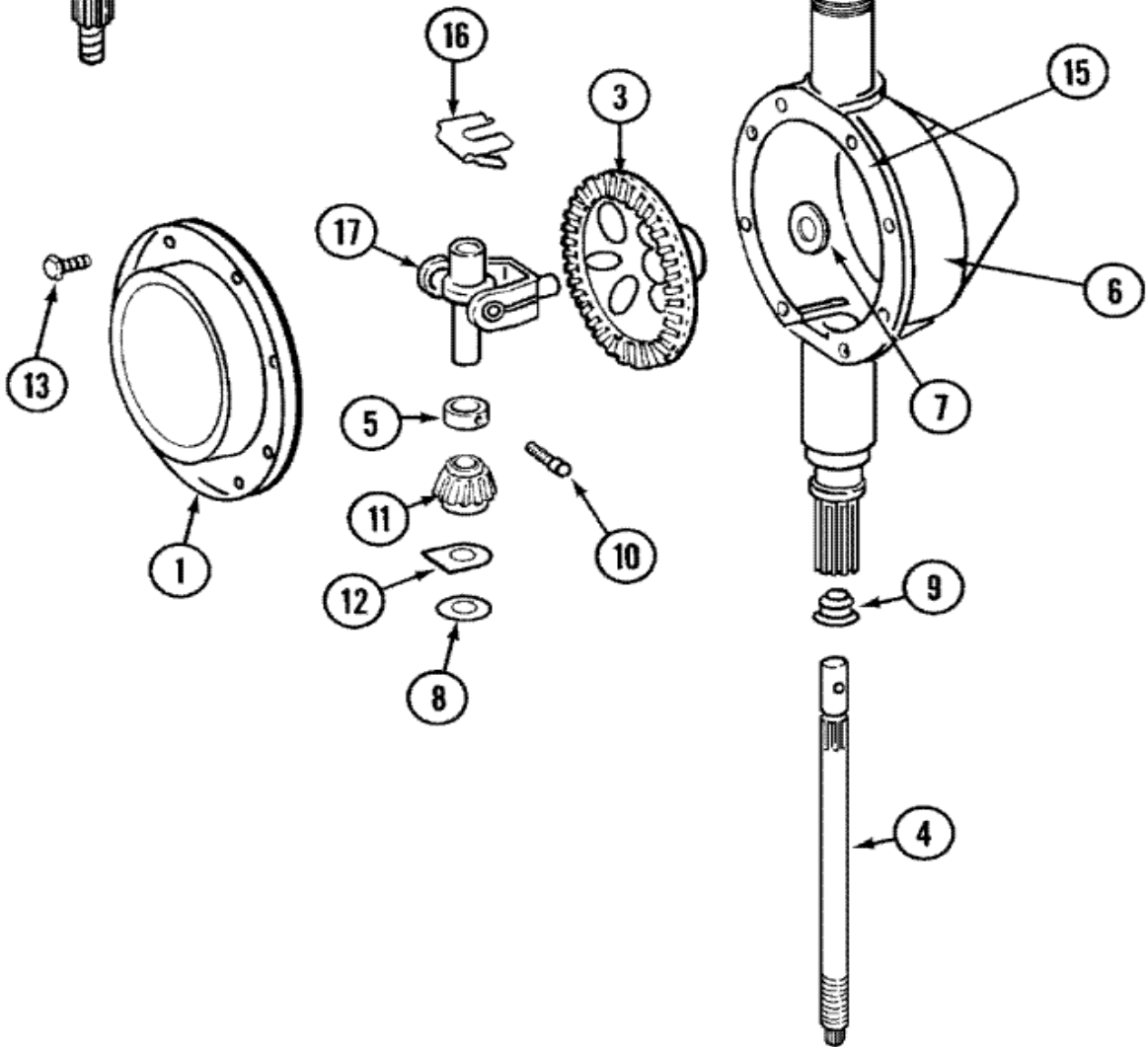
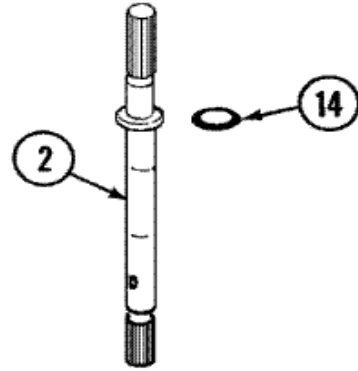
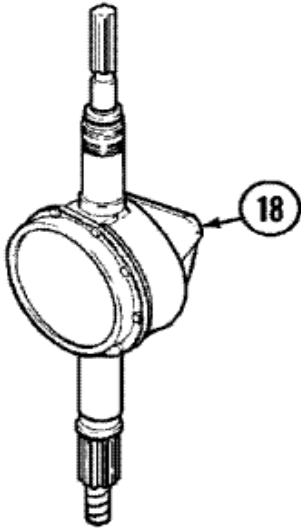
1	22001427	DESCONTINUADO
1	22001585	DESCONTINUADO
2	22001939	HARNESS, LID SWITCH (S/P)
3	22001194	CLIP, SPRING (S/P)
4	22001001	SCREW (S/P)
5	208823	PC SWITCH, LID (S/P)
6	22001555	FUSE (250V 1A)
6	12001514	SWITCH ASSY., LID
7	22001080	LID (WHT)
8	214354	SCREW (S/P)
9	22001064	COVER, TOP (WHT) (S/P)
10	212716	BUMPER, LID
11	22001006	CUP, BLEACH (WHT) (S/P)
12	215374	GASKET FOR BLEACH CUP (S/P)
13	22001189	ROD, RESTRAINT (S/P)
14	22001208	ROD, COUNTER BALANCE (S/P)
15	Y216184	SPRING, COUNTER BALANCE (S/P)
16	22001193	BEARING, COUNTER BALANCE (S/P)
17	207166	SWITCH, CHECK
18	22001283	TRIGGER (S/P)
19	22001183	SCREW (S/P)
19	215537	SCREW (S/P)
20	22001285	HOLDER, SWITCH (S/P)
21	22001286	SWITCH, ARM (S/P)
22	22001287	SPRING, SWITCH (S/P)
23	22001250	GLIDE, SWITCH ARM (S/P)

Distribuidor Autorizado

SurteRápido.com

Venta de Refacciones
Electrodomesticas

LSE7806ACE TRANSMISION





LSE7806ACE TRANSMISION

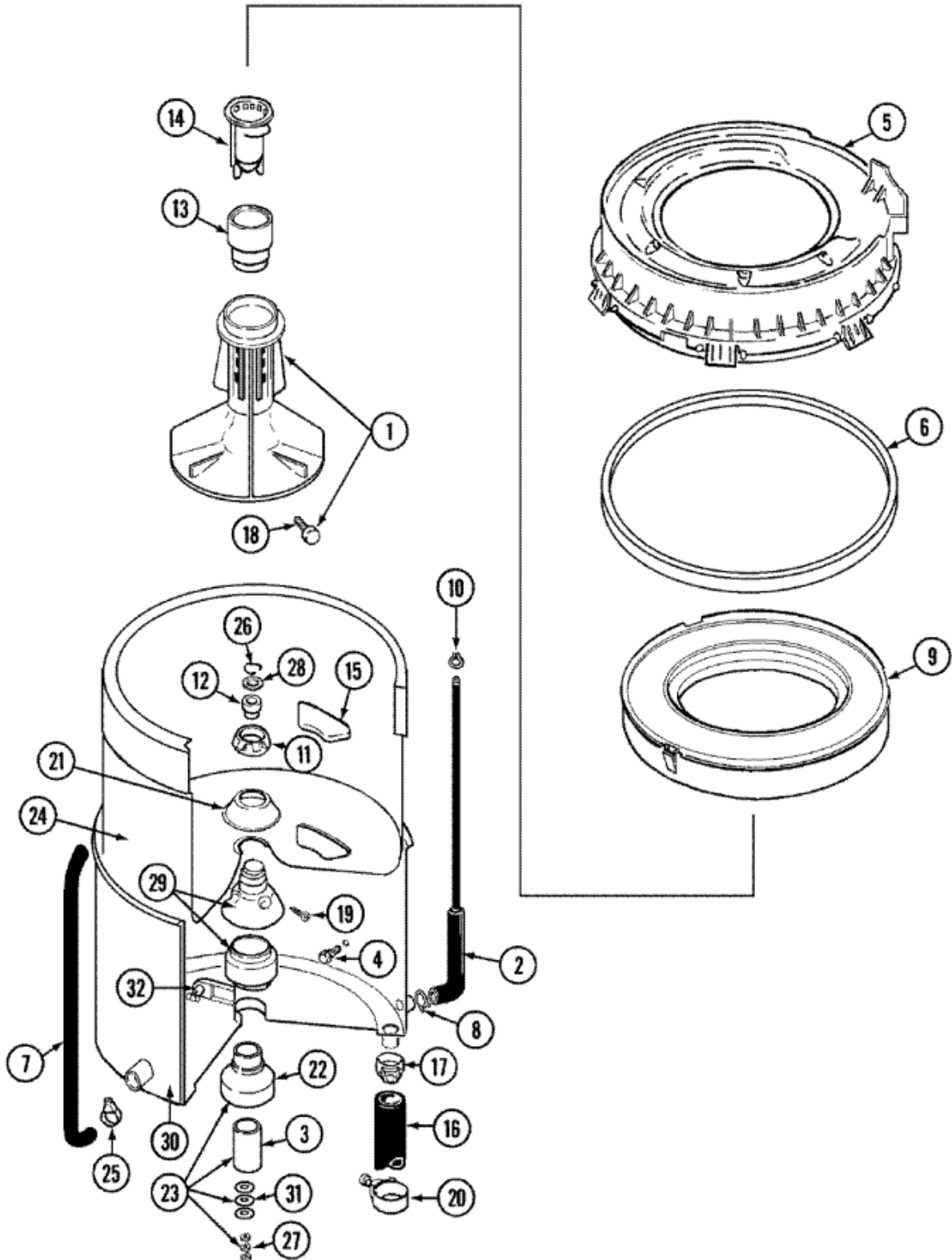
1	206628	COVER, TRANSMISSION (S/P)
2	22002132	SHAFT, AGITATOR (W/SPRING)
2	22002340	COLLAR, AGITATOR SHAFT
2	22002415	SHAFT, AGITATOR
3	206713	GEAR, BEVEL
4	12001450	CENTER SHAFT – LARGER (S/P)
4	22002342	SHAFT, CENTER (DEEP TUB) (S/P)
5	22002353	COLLAR, CENTER SHAFT
5	215415	DESCONTINUADO
5	22002341	COLLAR, LOWER PLASTIC KEEPER
6	22002126	HOUSING, TRANSMISSION
6	22002416	ASSEMBLY, CASE CASTING DEEP (S/P)
7	215394	WASHER, BEVEL GEAR (S/P)
8	211483	WASHER, SPLINED
9	207843	SEAL, LIP (CENTER SHAFT)
10	206629	PIN, COLLAR
11	215401	PINION
12	215395	PLATE, CLUTCH
13	215417	SCREW, TRANSMISSION COVER (S/P)
14	210690	SEAL, RUBBER
14	22002417	O-RING AGITATOR SHAFT
15	Y058700	SILASTIC, ADH.SEALANT (S/P)
16	215581	SPRING, AGITATOR SHAFT
17	206685	BLOCK, TORQUE AND YOKE ASSEMBL
18	22002126	TRANSMISSION, ORBITAL
19	12002012	BRAKE/BEARING TOOL (COMPLETE) (S/P)
20	20000021	LIP SEAL TOOL KIT (S/P)

Distribuidor Autorizado

SurteRápido.com

Venta de Refacciones
Electrodomesticas

LSE7806ACE TINA





LSE7806ACE TINA

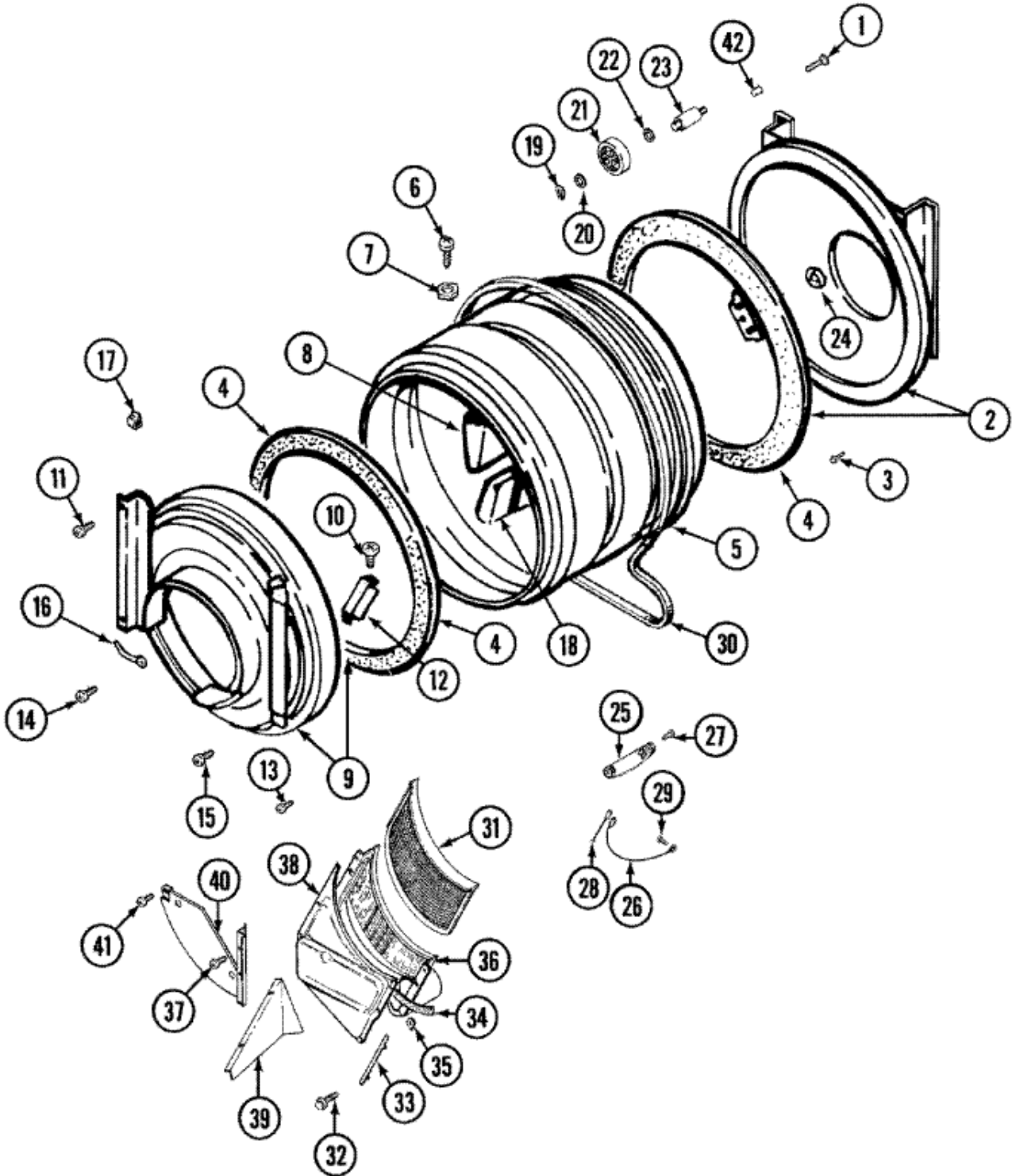
1	207538	AGITATOR W/LOCK SCREW (S/P)
2	22001616	TUBE, AIR (S/P)
3	211130	LINER, TUB BEARING (S/P)
4	200744	BOLT & GASKET ASSY.(SHORT) (S/P)
4	205254	BOLT & GASKET ASSEMBLY (LONG) (S/P)
5	22001299	TUB COVER & GASKET ASSEMBLY (S/P)
6	22001007	GASKET (S/P)
7	2-14495	TUBE, INLET TO TUB
8	211641	CLAMP, 1-1/16`` (S/P)
9	22001142	RING, BALANCE (W/CONCRETE) (S/P)
10	410296	CLAMP, WATER LEVEL SWTCH TUBE (S/P)
11	211047	NUT, CLAMPING (INNER TUB) (S/P)
12	22204012	MOUNTING STEM AND SEAL KIT
13	22001295	HOUSING, DISPENSER
14	22001294	CUP, DISPENSING
15	207219	FILTER, SELF-CLEANING
16	213045	DRAIN HOSE-TUB TO PUMP
17	22001640	CLAMP, HOSE (S/P)
20	22001640	CLAMP, HOSE (S/P)
21	211210	WASHER, CLAMPING NUT(STAINLESS) (S/P)
22	2-4013	BEARING, TUB
23	2-4013	TUB BEARING REPAIR KIT
24	Y2201881	TUB, INNER SHORT WHITE SP (S/P)
25	205161	CLAMP - 15/16`` (S/P)
26	Y015667	RETAINING RING (S/P)
27	Y054867	WASHER, LOCK (S/P)
28	Y015666	WASHER, RETAINING(CENTER SEAL) (S/P)
29	22204012	MOUNTING STEM AND SEAL KIT
30	22001116	TUB, OUTER (STACK) (S/P)
31	211100	WASHER, CUSHION (S/P)
32	214434	SPOUT, DEFLECTOR (S/P)

Distribuidor Autorizado

SurteRápido.com

Venta de Refacciones
Electrodomesticas

LSE7806ACE TAMBOR





LSE7806ACE TAMBOR

1	Y310632	SCREW (S/P)
2	33001106	BACK, TUMBLER (W/SEAL) (S/P)
3	211294	SCREW (S/P)
4	314820	SEAL, TUMBLER
5	33001177	TUMBLER (S/P)
6	Y310759	SCREW (S/P)
7	314158	WASHER (S/P)
8	33001014	BAFFLE (TALL)
9	33001107	FRONT, TUMBLER (S/P)
10	210720	RIVET (S/P)
11	Y313561	DESCONTINUADO
12	306508	TUMBLER BEARING KIT
13	Y314110	SCREW, INLET DUCT (S/P)
14	910343	SCREW, GROUND WIRE (S/P)
15	Y310632	SCREW (S/P)
16	901220	WIRE, GROUND (S/P)
17	Y310376	CLIP, WIRE HARNESS (S/P)
18	33001013	BAFFLE (SHORT)
19	410233	RING, RETAINING (S/P)
20	312535	WASHER, ROLLER SHAFT (S/P)
21	12001541	BEARING & ROLLER ASSEMBLY
22	312535	WASHER, SPRING (ROLLER SHAFT) (S/P)
23	Y312948	SHAFT, TUMBLER ROLLER (S/P)
24	33001443	NUT, ROLLER SHAFT (S/P)
25	304997	SENSOR ASSEMBLY (W/SCREWS)
26	Y303711	SENSOR GROUND WIRE (S/P)
27	Y251119	SCREW (S/P)
28	Y312658	RECEPTACLE, SENSOR GROUND WIRE (S/P)
29	211294	SCREW (S/P)
30	3-12959	BELT, DRUM
31	33001003	SCREEN, LINT
32	Y312961	SCREW (S/P)
33	Y313795	GUIDE FOR LINT SCREEN (S/P)

34	Y313796	LINT SEAL (S/P)
35	315274	FASTENER ON OUTLET DUCT (S/P)
36	33001006	DUCT, OUTLET & GRID (S/P)
37	Y312961	SCREW (S/P)
38	314485	OUTLET DUCT AND GRID (S/P)
39	315239	SHIELD FOR OUTLET DUCT (S/P)
40	315238	SHIELD (S/P)
41	310207	SCREW, No.6 X 1/4 INCH (S/P)
42	313915	COVER, THREAD (S/P)