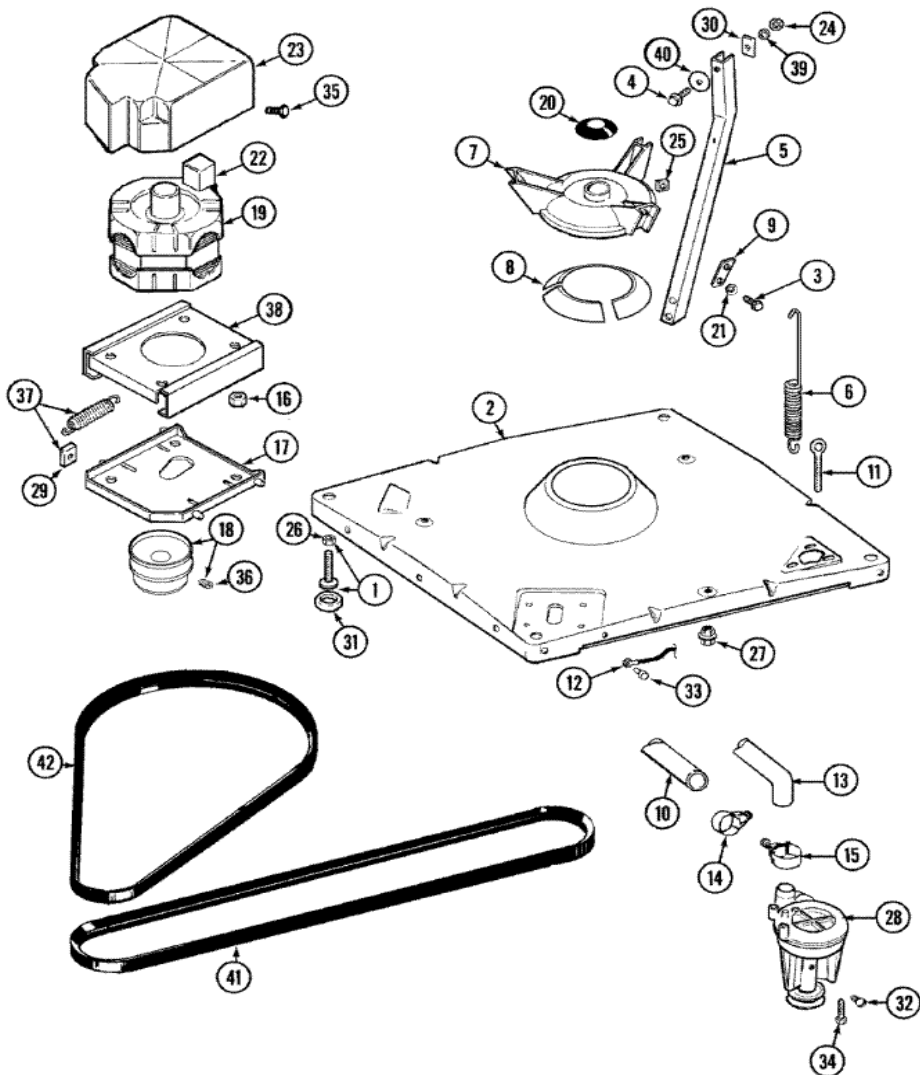


Distribuidor Autorizado

SurteRápido.com

Venta de Refacciones  
Electrodomesticas

# LSG7806ABQ BASE





## LSG7806ABQ BASE

1	22003428	LEG, ADJUSTABLE (W/NUT)
2	22002151	CLIP, HOSE (S/P)
2	22003298	RETAINER, WIRE (S/P)
2	22002150	BASE (W/DAMPER PADS)
3	Y015627	SCREW, HEX HD CAP 5/16 X 5/8 (S/P)
4	205254	BOLT & GASKET ASSEMBLY (LONG) (S/P)
4	200744	BOLT & GASKET ASSY.(SHORT) (S/P)
5	213053	BRACE, TUB
6	22001300	SPRING, CENTERING
7	2-3725	DAMPER W/BOLT & CLIP
8	203956	DAMPER PAD KIT (W/POLY LUBE)
9	213073	WASHER, DOUBLE (S/P)
10	22001448	HOSE
11	216416	BOLT, EYE/CENTERING SPRING (S/P)
12	901220	WIRE, GROUND (S/P)
13	213045	DRAIN HOSE-TUB TO PUMP
14	22001640	CLAMP, HOSE (S/P)
15	22001640	CLAMP, HOSE (S/P)
16	Y311426	NUT, WASHERED LOCK (S/P)
17	22001301	MOUNT, MOTOR LOWER-ASSEMBLY (S/P)
18	200816	PULLEY, MOTOR (W/SET SCREW)
19	12002351	MOTOR (ONE SPEED)
20	22001586	DEFLECTOR, WATER (S/P)
21	911852	WASHER, LOCK (BRACE) (S/P)
22	205132	SWITCH, MOTOR START (S/P)
22	206505	<b>DESCONTINUADO</b>
23	215098	SHIELD, MOTOR
24	Y052734	NUT (S/P)
25	Y052785	NUT, BRACE TO DAMPER (S/P)
26	210385	NUT, LOCK (S/P)
27	211949	NUT, EYEBOLT (S/P)
28	2-2203	PUMP AS PAK
29	2-5000	GLIDE KIT (4 W/POLY LUBE)
30	212979	WASHER, TUB BRACE (S/P)

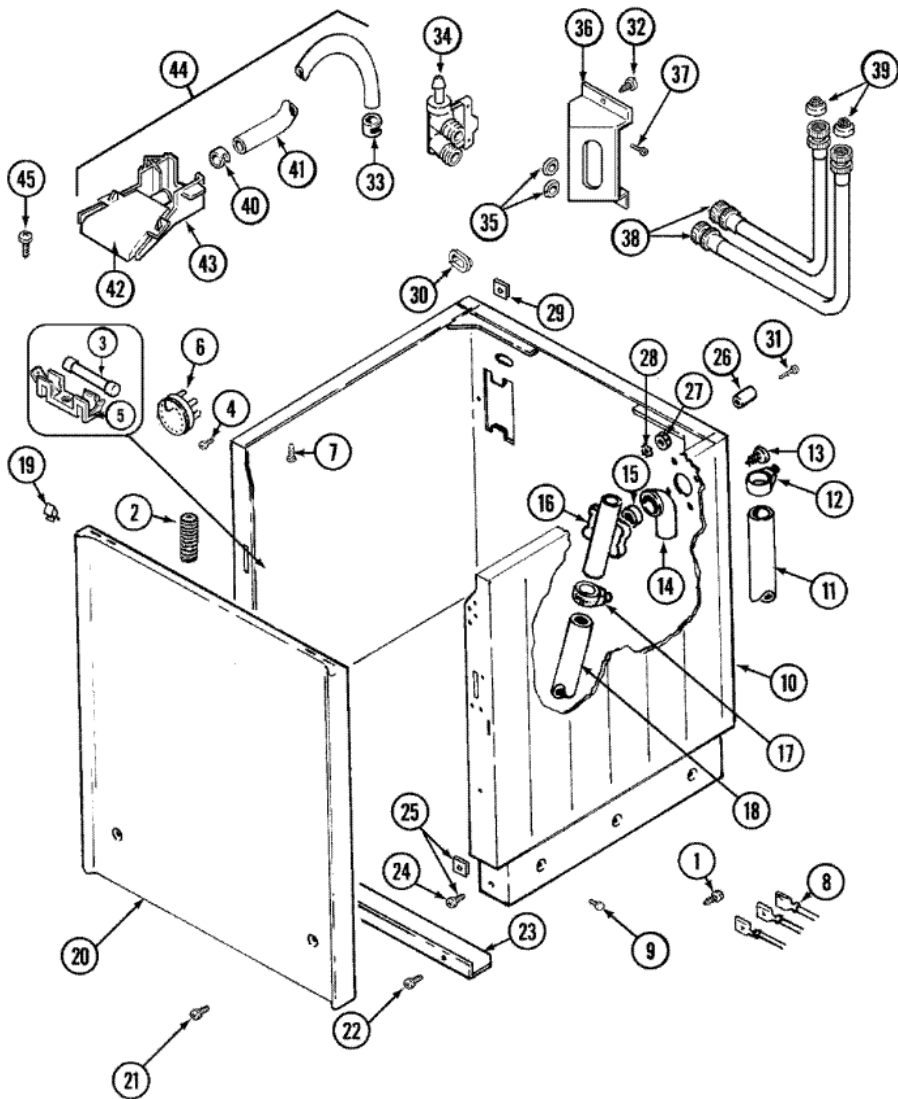
31	210684	FOOT, RUBBER
32	Y015408	SCREW, BEARING INSERT <b>(S/P)</b>
33	Y705026	SCREW <b>(S/P)</b>
34	211880	SCREW, HEX HD NO.10 X ½ INC <b>(S/P)</b>
35	213121	SCREW <b>(S/P)</b>
36	Y053241	SET SCREW, PULLEY <b>(S/P)</b>
37	2-5000	GLIDE & SPRING KIT
38	214956	MOUNT, MOTOR/UPPER <b>(S/P)</b>
39	Y054867	WASHER, LOCK <b>(S/P)</b>
40	211100	WASHER, CUSHION <b>(S/P)</b>
41	2-11124	V BELT, PUMP
42	2-11125	V BELT, DRIVE PULLEY

Distribuidor Autorizado

SurteRápido.com

Venta de Refacciones  
Electrodomesticas

# LSG7806ABQ GABINETE





## LSG7806ABQ GABINETE

1	Y251119	SCREW (S/P)
2	Y200832	CAPACITOR (S/P)
2	211149	CLIP, CAPACITOR (S/P)
3	12001514	SWITCH-LID
4	210720	RIVET (S/P)
5	207167	BLOCK, FUSE
6	208783	WIRE JUMPER (S/P)
6	12002304	PRESSURE SWITCH, THREE LEVEL
7	214354	SCREW (S/P)
8	22001941	HARNESS, WASHER (UPR-CAN) (S/P)
9	213007	SCREW, CABINET (S/P)
10	22002648	CABINET, ASSEMBLY (BSQ) (S/P)
11	22003814	RETAINER, DRAIN HOSE (S/P)
11	22002765	CLIP, HOSE (S/P)
11	22001816	HOSE, DRAIN (S/P)
11	22001820	CLAMP, HOSE (S/P)
11	22003410	HOSE, DRAIN
12	200908	HOSE CLAMP - 1-1/2 INCH (S/P)
13	215711	FASTENER, SPRING (S/P)
14	22002651	PANEL, FRONT (BSQ) (S/P)
15	22002600	SCREW (BSQ) (S/P)
16	211294	SCREW (S/P)
17	213846	GUARD, BELT (S/P)
18	213122	SCREW, CBNT.TO FRNT OF BASE--NA (S/P)
19	204439	SCREW & FSTNER ASSY(FRT.PANEL)
20	215276	BUSHING (S/P)
21	310557	WASHER (S/P)
22	Y052659	HEX. NUT, No.8-32 (S/P)
23	22001009	CLIP, SPRING (S/P)
24	215277	SCREW (S/P)
25	212276	SCREW (S/P)
26	216169	CLAMP, HOSE-INJEC.HOSE TO VALVE (S/P)
27	22001274	VALVE, WATER
28	Y013783	GASKET, INLET HOSE (S/P)

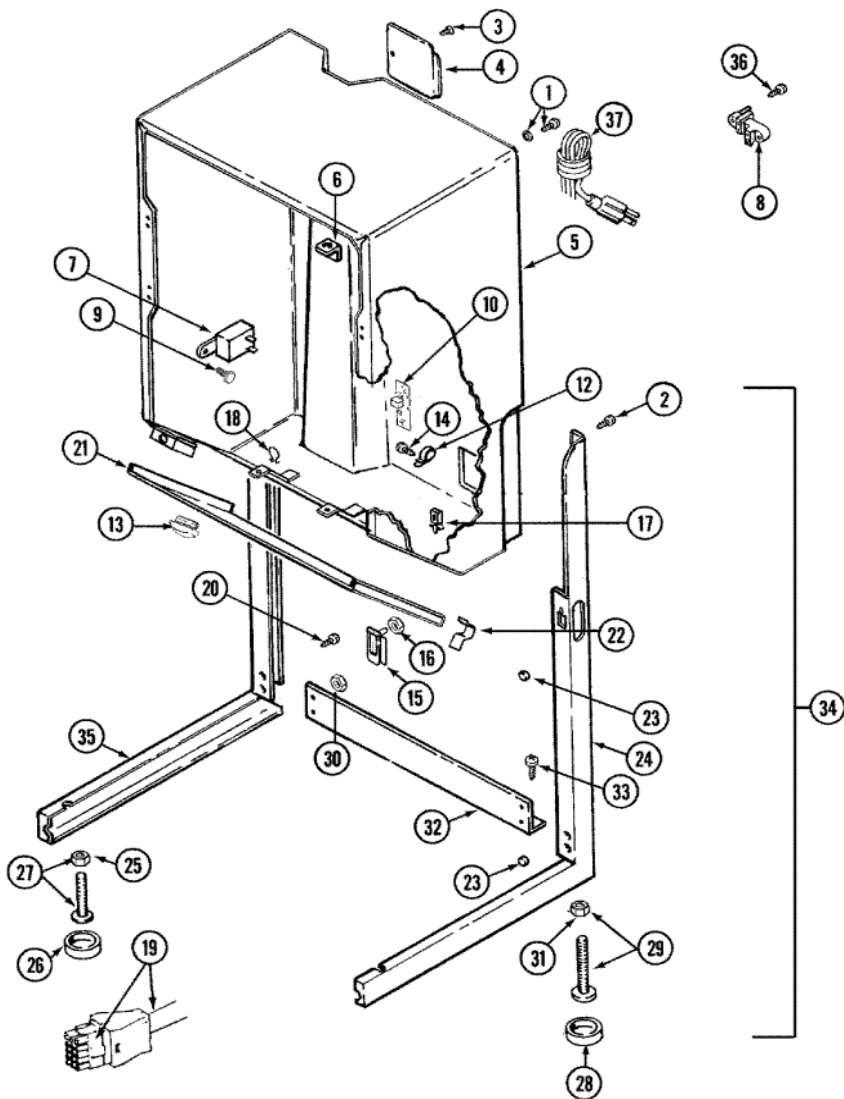
29	22002361	BRACKET <b>(S/P)</b>
30	22002372	SCREW <b>(S/P)</b>
31	200672	INLET HOSE ASSY. <b>(S/P)</b>
32	12001413	SCREEN WASHER, INLET HOSE <b>(S/P)</b>
33	216170	CLAMP, HOSE <b>(S/P)</b>
34	22001191	HOSE, INJECTOR (STACK) <b>(S/P)</b>
35	22001187	INJECTOR (UPR)
36	22001186	INJECTOR (LWR)
37	22001175	WATER INJECTOR ASSEMBLY <b>(S/P)</b>
38	215537	SCREW <b>(S/P)</b>
39	22001192	GLIDE <b>(S/P)</b>
40	Y310376	CLIP, WIRE HARNESS <b>(S/P)</b>

Distribuidor Autorizado

SurteRápido.com

Venta de Refacciones  
Electrodomesticas

# LSG7806ABQ GABINETE





## LSG7806ABQ GABINETE

1	22003781	SCREW & WASHER ASSY. (S/P)
2	314663	SCREW (S/P)
3	Y313561	<b>DESCONTINUADO</b>
4	315275	COVER, TERMINAL (S/P)
5	33002363	CABINET, ASSEMBLY (BSQ) (S/P)
6	312548	FASTENER-ACCESS PANEL TO CA (S/P)
7	33001623	BUZZER (S/P)
8	33001309	BLOCK, TERMINAL (S/P)
9	211168	SCREW, NO.8 X 5/16 INCH (S/P)
10	33001212	BOARD, CONTROL-MOISTURE SENSOR
11	306128	BRACE FOR STAND-ACCESSORY (S/P)
12	22001929	CLAMP, CABLE (S/P)
13	22002595	BUMPER (BSQ) (S/P)
15	314489	GUIDE, PIN (S/P)
16	214872	PALNUT, END CAP (S/P)
17	Y313262	RETAINER, WIRE HARNESS (S/P)
18	22003298	RETAINER, WIRE (S/P)
19	33001554	HARNESS, WIRE (S/P)
19	22001941	HARNESS, WASHER (UPR-CAN) (S/P)
20	314477	SCREW, ACCESS PANEL (S/P)
21	33002365	PANEL, ACCESS (BSQ) (S/P)
21	33001130	SHIELD, REFLECTIVE (S/P)
22	314482	FASTENER, SPRING (S/P)
23	314498	PAD, DRYER LEG (S/P)
25	Y052740	NUT (S/P)
26	314137	FOOT, RUBBER
27	305086	ADJUSTABLE LEG & NUT
28	210684	FOOT, RUBBER
29	22003428	LEG, ADJUSTABLE (W/NUT)
30	Y052721	NUT (S/P)
31	210385	NUT, LOCK (S/P)
32	314499	BRACE (S/P)
37	308044	<b>DESCONTINUADO</b>

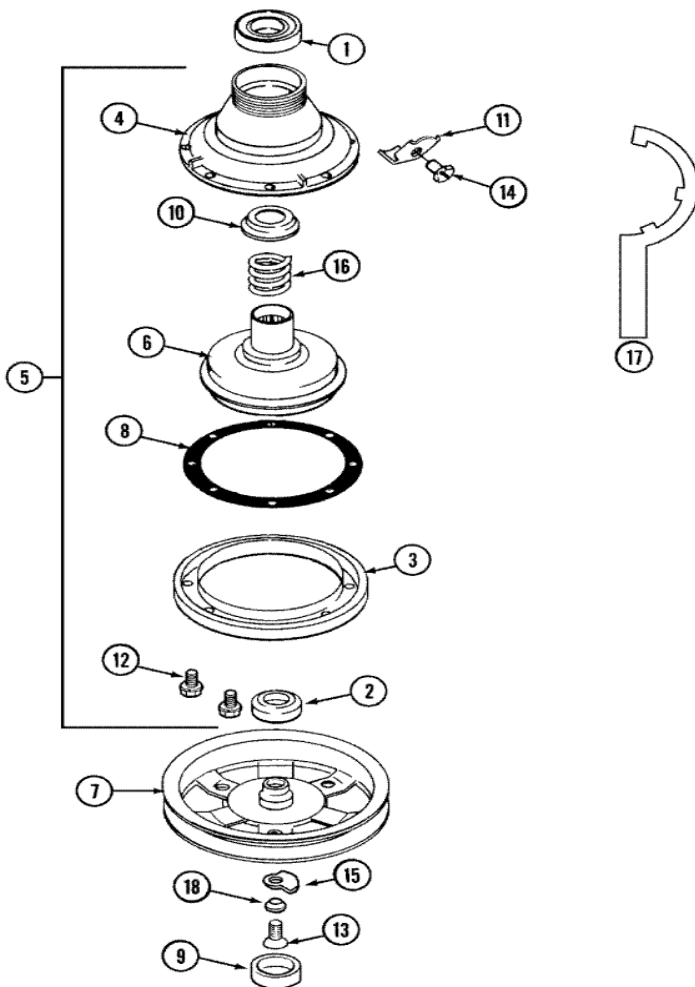


Distribuidor Autorizado

SurteRápido.com

Venta de Refacciones  
Electrodomesticas

# LSG7806ABQ FRENO





## LSG7806ABQ FRENO

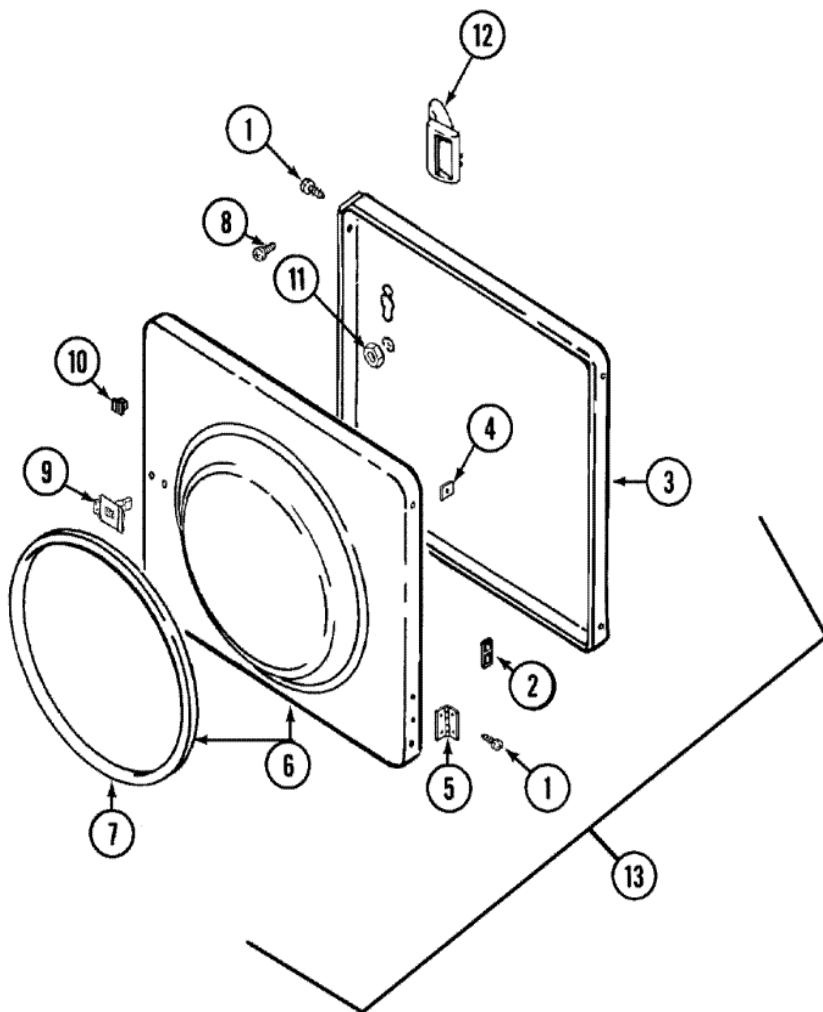
1	22003441	BALL BEARING, RADIAL
2	2-835	BEARING, BRAKE ROTOR
3	2-1190	DRUM, BRAKE
4	2-1190	HOUSING, BRAKE
5	2-1190	BRAKE ASSEMBLY
5	Y038315	<b>DESCONTINUADO</b>
6	2-1190	ROTOR, BRAKE (W/FACING)
7	22002431	PULLEY ASSEMBLY <b>(S/P)</b>
8	2-1190	GASKET, BRAKE DRUM
9	22002428	COVER, DUST (PLASTIC) <b>(S/P)</b>
10	2-1190	RETAINER, BRAKE SPRING
11	213325	CLIP, RETAINER
12	211000	SCREW, HEX HEAD (BRAKE DRUM) <b>(S/P)</b>
13	2-11375	SCREW, STOP LUG(CENTER SHAFT)
14	213326	SCREW, RETAINING CLIP <b>(S/P)</b>
15	2-11089	LUG, STOP
16	2-1190	SPRING, BRAKE
17	Y038315	<b>DESCONTINUADO</b>
18	22003555	WASHER, LOCK

Distribuidor Autorizado

SurteRápido.com

Venta de Refacciones  
Electrodomesticas

## LSG7806ABQ PUERTA

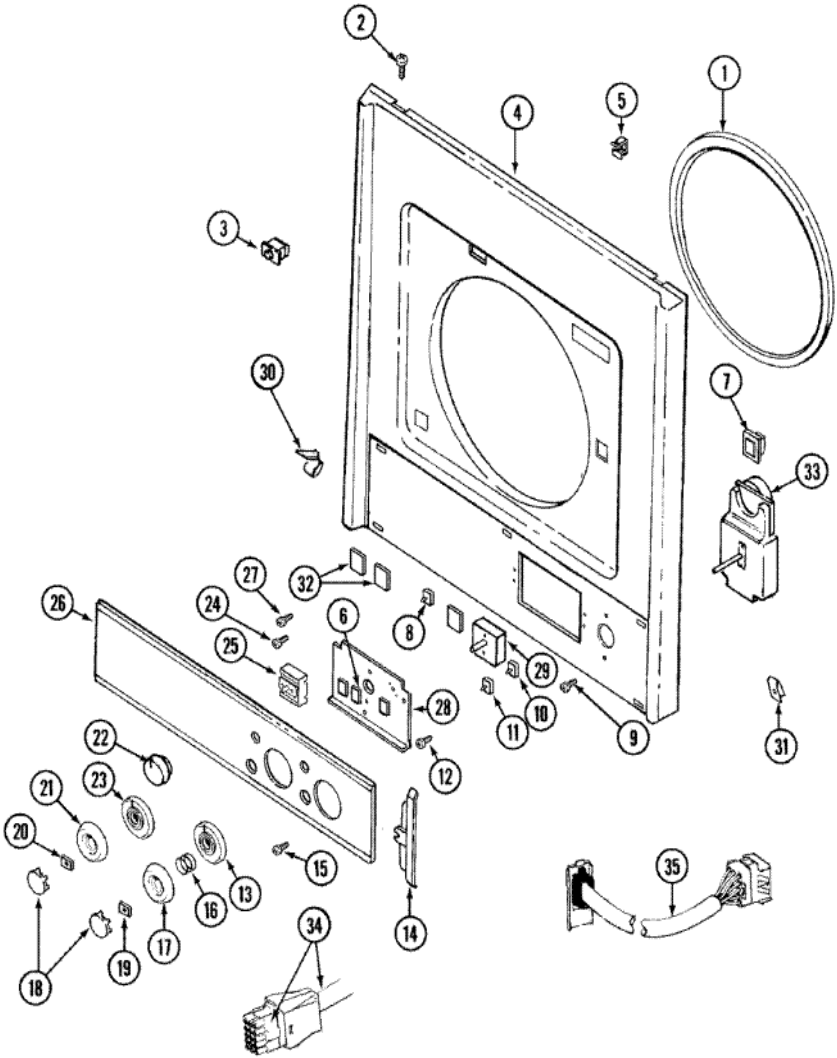




## LSG7806ABQ PUERTA

1	Y314062	SCREW <b>(S/P)</b>
2	Y313907	TWIN FASTENER <b>(S/P)</b>
2	33001222	SPEEDNUT, TWIN <b>(S/P)</b>
2	22001817	PAD, SOUND DAMPER <b>(S/P)</b>
3	33002364	<b>DESCONTINUADO</b>
4	Y313910	CLIP, DOOR LINER TO OUTER PNL <b>(S/P)</b>
5	33001230	HINGE, DOOR <b>(S/P)</b>
6	33001002	DOOR, INNER (W/GASKET) <b>(S/P)</b>
7	33001005	SEAL, DOOR <b>(S/P)</b>
8	312960	SCREW - INLET DUCT <b>(S/P)</b>
9	LA-1003	CATCH, DOOR (FEMALE)
10	Y313911	DOOR STRIKE RETAINER <b>(S/P)</b>
11	214872	PALNUT, END CAP <b>(S/P)</b>
12	33002344	HANDLE, DOOR (BSQ) <b>(S/P)</b>

**LSG7806ABQ TABLERO**





## LSG7806ABQ TABLERO

1	314286	SEAL FOR FRONT PANEL
2	212277	SCREW, NO.8 X 1/2 INCH <b>(S/P)</b>
3	33001509	SWITCH, DOOR
4	33001486	PANEL, FASTENER <b>(S/P)</b>
4	33002366	PANEL, FRONT (BSQ) <b>(S/P)</b>
5	Y310376	CLIP, WIRE HARNESS <b>(S/P)</b>
6	315287	BUMPER SMALL <b>(S/P)</b>
7	LA-1003	CATCH, DOOR (FEMALE)
8	308017	SWITCH, DRYER TEMPERATURE
9	216042	SCREW <b>(S/P)</b>
10	22001923	SWITCH, WATER TEMPERATURE
11	22001188	SWITCH, ROTARY
12	211294	SCREW <b>(S/P)</b>
13	22002592	DIAL, TIMER (BSQ) <b>(S/P)</b>
14	33002345	CAP, END (BSQ) <b>(S/P)</b>
15	211000	SCREW, HEX HEAD (BRAKE DRUM) <b>(S/P)</b>
16	2-11065	SPRING, TIMER KNOB
17	22002584	KNOB ASSY. (BSQ) <b>(S/P)</b>
18	22002597	CAP, KNOB (BSQ) <b>(S/P)</b>
19	211605	RETAINER, TIMER KNOB
20	312273	NUT <b>(S/P)</b>
21	33002325	KNOB ASSY. (BSQ)
23	33002340	DIAL, TIMER (BSQ) <b>(S/P)</b>
24	315317	SCREW, SWITCHES <b>(S/P)</b>
25	33002335	SWITCH, PUSH TO START (BSQ) <b>(S/P)</b>
26	33002348	PANEL, CONTROL (BSQ) <b>(S/P)</b>
27	215952	SCREW <b>(S/P)</b>
28	315237	BRACKET FOR SWITCHES & TIMER <b>(S/P)</b>
29	33001034	TIMER, DRYER
30	314482	FASTENER, SPRING <b>(S/P)</b>
31	488660	FASTENER, SPEEDNUT <b>(S/P)</b>
32	315286	BUMPER LARGE <b>(S/P)</b>
33	22002228	<b>DESCONTINUADO</b>
33	22001924	TIMER, WASHER

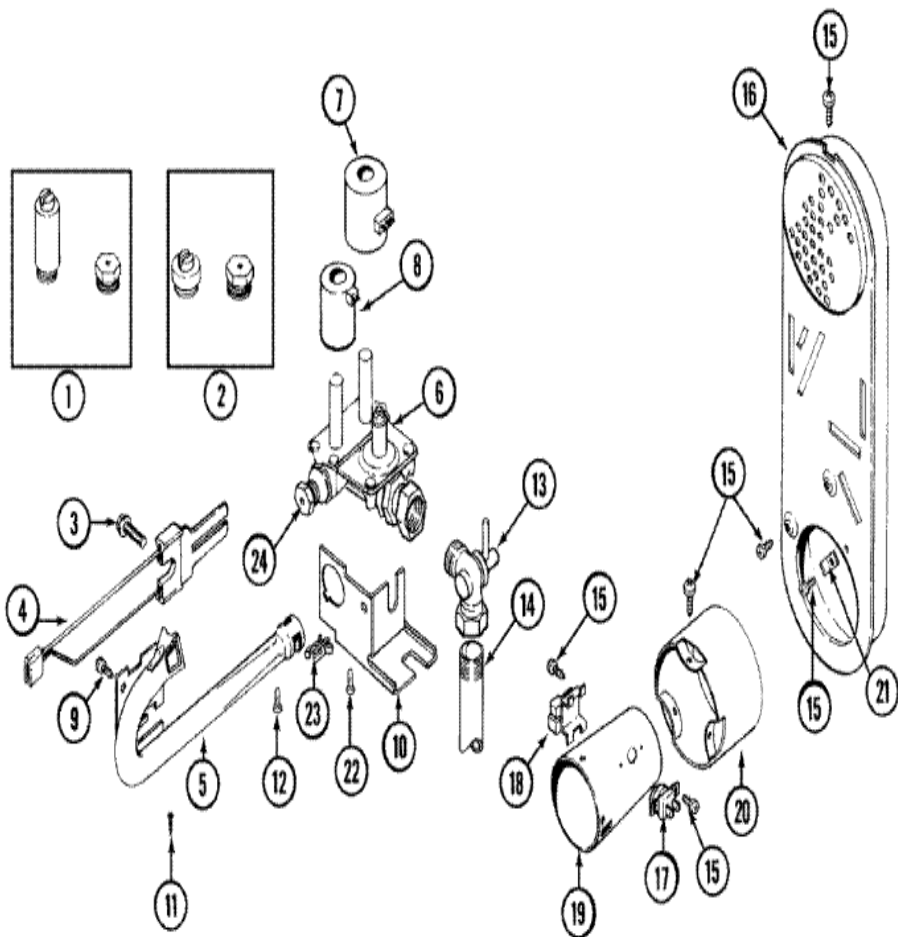
33	22001931	SPACER, TIMER <b>(S/P)</b>
33	22001932	RETAINER, WIRE <b>(S/P)</b>
34	22001941	HARNESS, WASHER (UPR-CAN) <b>(S/P)</b>
35	22001584	HARNESS, WIRE (WASHER) <b>(S/P)</b>
36	22004234	WIRE HARNESS <b>(S/P)</b>
36	33001554	HARNESS, WIRE <b>(S/P)</b>

Distribuidor Autorizado

SurteRápido.com

Venta de Refacciones  
Electrodomesticas

# LSG7806ABQ VALVULA DE GAS







## LSG7806ABQ VALVULA DE GAS

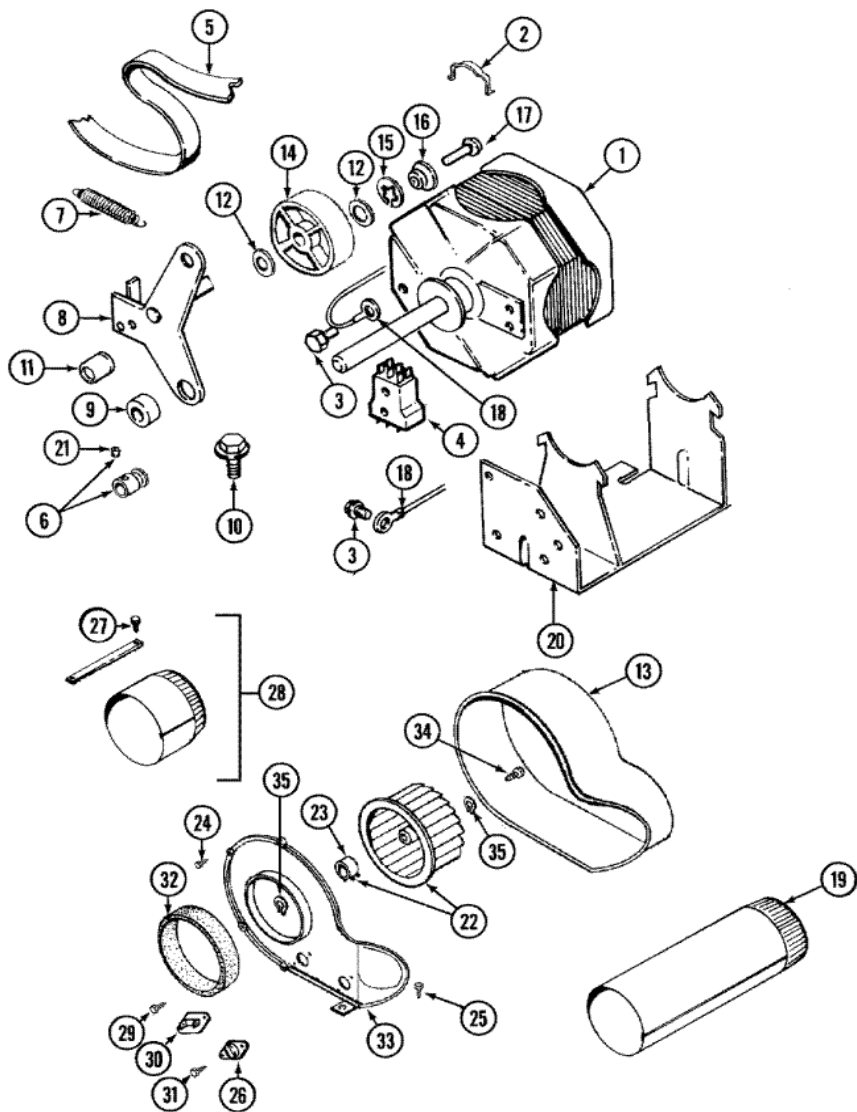
1	306205	CONVERSION KIT-NAT. TO LPG
2	306206	CONVERSION KIT-LPG TO NAT. (S/P)
3	304971	SCREW (S/P)
4	304970	IGNITER ASSY, GAS VALVE
5	33001310	BURNER ASSY. (S/P)
6	306084	VALVE, GAS (S/P)
7	306106	COIL, HOLDING & BOOSTER (S/P)
8	694540	COIL, SECONDARY (S/P)
9	212276	SCREW (S/P)
10	314508	<b>DESCONTINUADO</b>
11	Y313559	SCREW (S/P)
12	314082	SCREW (S/P)
12	314568	SCREW-GAS VALVE TO BRACKET (S/P)
13	306086	ANGLE SHUT OFF FOR GAS VALV (S/P)
14	33001566	PIPE (S/P)
15	211294	SCREW (S/P)
16	Y303369	<b>DESCONTINUADO</b>
17	303395	THERMOSTAT, HI-LIMIT (GAS)
18	3-3377	SENSOR, RADIANT
19	33001312	CONE, COMBUSTION (S/P)
20	314509	<b>DESCONTINUADO</b>
21	Y312890	RETAINER, HEATER CHAMBER (S/P)
22	212276	SCREW (S/P)
23	22003298	RETAINER, WIRE (S/P)
24	314603	MAIN BURNER ORIFICE-NAT (S/P)
24	311641	<b>DESCONTINUADO</b>
24	311640	<b>DESCONTINUADO</b>

Distribuidor Autorizado

SurteRápido.com

Venta de Refacciones  
Electrodomesticas

# LSG7806ABQ MOTOR





## LSG7806ABQ MOTOR

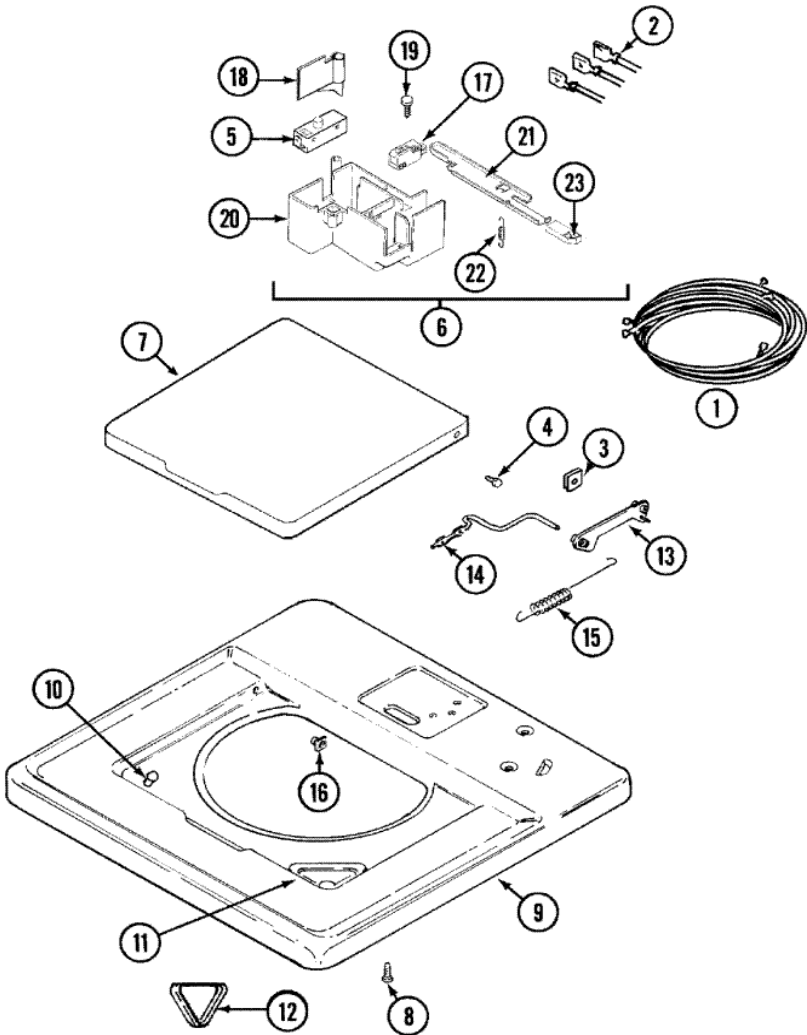
1	306055	MOTOR
2	Y015825	CLIP, MOTOR (S/P)
3	910343	SCREW, GROUND WIRE (S/P)
4	Y303877	<b>DESCONTINUADO</b>
4	306207	<b>DESCONTINUADO</b>
5	312959	BELT, DRUM (S/P)
6	306099	MOTOR PULLEY WITH SET SCREW (S/P)
7	314473	SPRING FOR IDLER (S/P)
8	Y303363	<b>DESCONTINUADO</b>
9	314457	SPACER FOR IDLER ARM (S/P)
10	Y313561	<b>DESCONTINUADO</b>
11	Y312057	SCREW, SPACER (S/P)
11	314456	SPACER (S/P)
12	313884	<b>DESCONTINUADO</b>
13	312893	HOUSING, BLOWER
14	303705	PULLEY, IDLER
15	312958	RETAINING RING, IDLER SHAFT (S/P)
16	315772	SLEEVE, IDLER ARM (S/P)
17	Y310842	SCREW (S/P)
18	901220	WIRE, GROUND (S/P)
19	306637	EXHAUST DUCT ASSEMBLY (S/P)
20	306054	SUPPORT, MOTOR (S/P)
21	Y053241	SET SCREW, PULLEY (S/P)
22	303836	BLOWER WHEEL ASSEMBLY & CLAMP
23	312967	CLAMP, BLOWER HOUSING
24	Y312961	SCREW (S/P)
25	Y313561	<b>DESCONTINUADO</b>
26	306910	THERMOSTAT, MULTI TEMP (GAS) (S/P)
28	306643	DUCT W/BRACKET & SCREWS (S/P)
30	306604	CUT-OFF, THERMAL (S/P)
32	312901	SEAL, BLOWER
33	314846	COVER, BLOWER HOUSING (S/P)
35	410233	RING, RETAINING (S/P)

Distribuidor Autorizado

SurteRápido.com

Venta de Refacciones  
Electrodomesticas

# LSG7806ABQ CUBIERTA

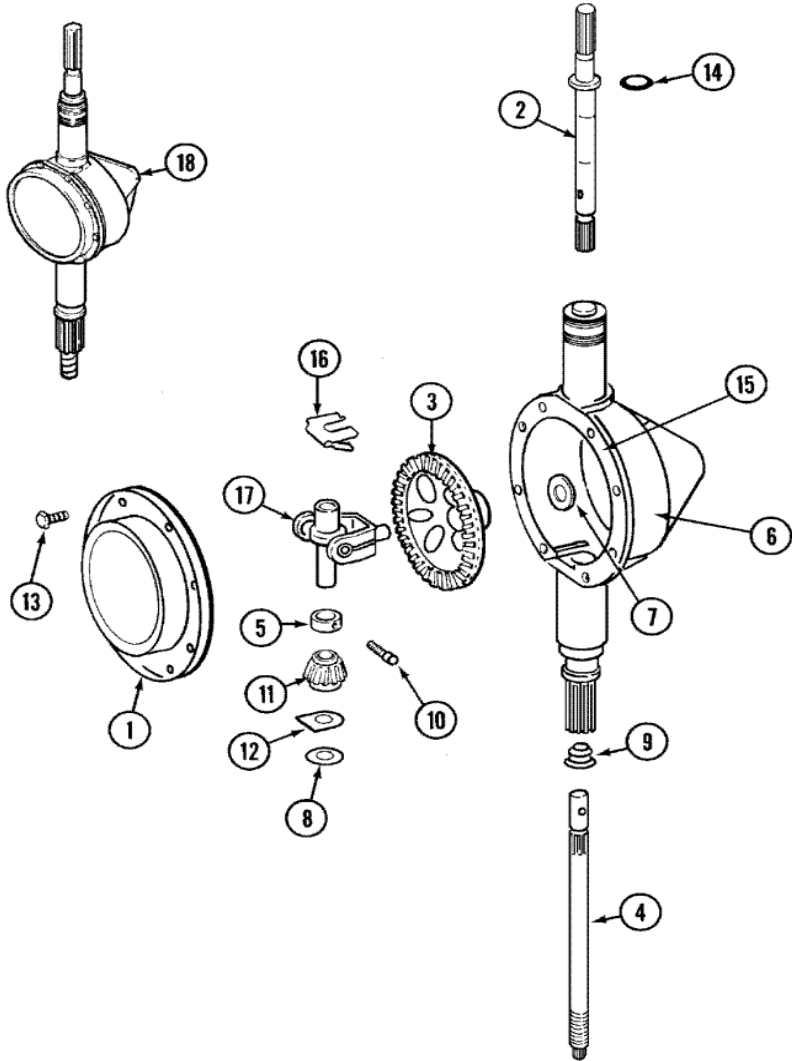




## LSG7806ABQ CUBIERTA

1	22001584	HARNESS, WIRE (WASHER) <b>(S/P)</b>
1	22001941	HARNESS, WASHER (UPR-CAN) <b>(S/P)</b>
1	22001940	HARNESS, WASHER (UPPER) <b>(S/P)</b>
2	22001939	HARNESS, LID SWITCH <b>(S/P)</b>
3	22001194	CLIP, SPRING <b>(S/P)</b>
4	22001001	SCREW <b>(S/P)</b>
5	208823	PC SWITCH, LID <b>(S/P)</b>
6	12001514	SWITCH ASSY., LID
7	22002652	<b>DESCONTINUADO</b>
8	214354	SCREW <b>(S/P)</b>
10	212716	BUMPER, LID <b>(S/P)</b>
11	22001008	CUP, BLEACH (BSQ) <b>(S/P)</b>
12	215374	GASKET FOR BLEACH CUP <b>(S/P)</b>
13	22001189	ROD, RESTRAINT <b>(S/P)</b>
14	22001208	ROD, COUNTER BALANCE <b>(S/P)</b>
15	Y216184	SPRING, COUNTER BALANCE <b>(S/P)</b>
16	22001193	BEARING, COUNTER BALANCE <b>(S/P)</b>
17	207166	SWITCH, CHECK
18	22001283	TRIGGER <b>(S/P)</b>
19	22001183	SCREW <b>(S/P)</b>
19	215537	SCREW <b>(S/P)</b>
20	22001285	HOLDER, SWITCH <b>(S/P)</b>
21	22001286	SWITCH, ARM <b>(S/P)</b>
22	22001287	SPRING, SWITCH <b>(S/P)</b>
23	22001250	GLIDE, SWITCH ARM <b>(S/P)</b>

**LSG7806ABQ TRANSMISION**





## LSG7806ABQ TRANSMISION

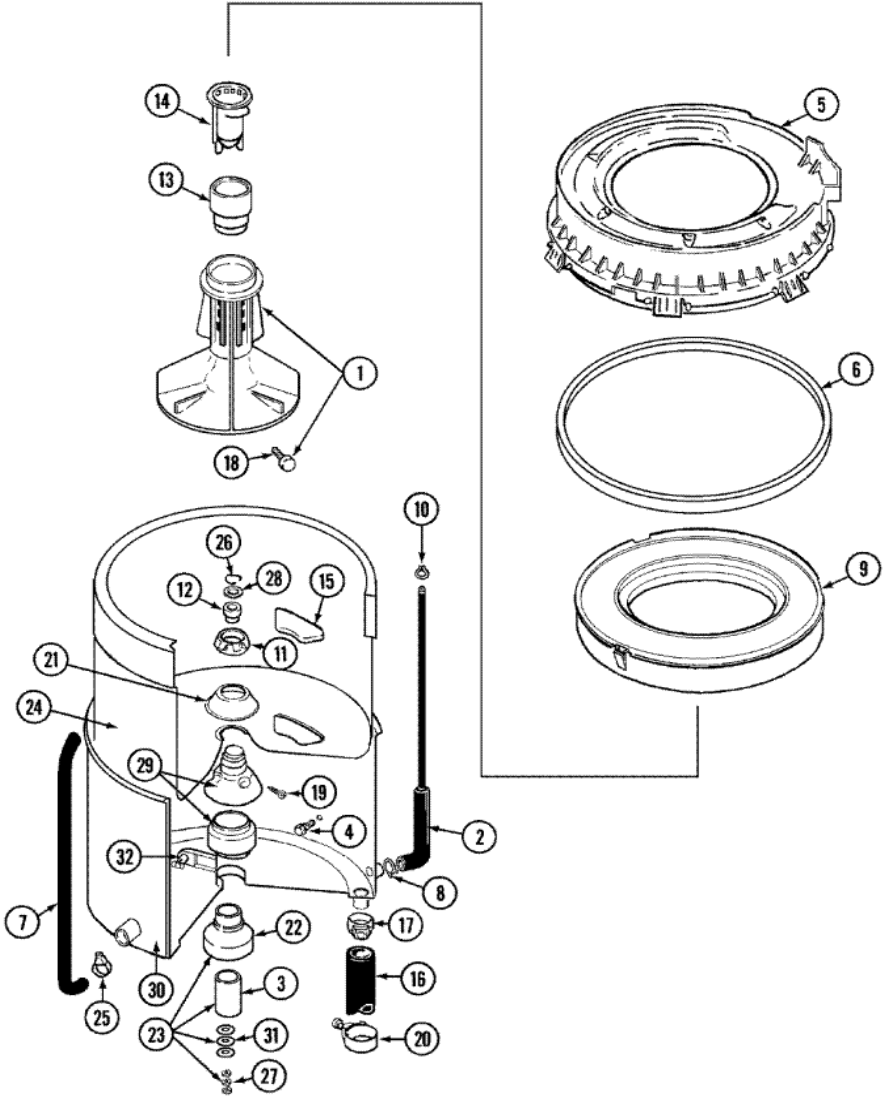
1	206628	COVER, TRANSMISSION <b>(S/P)</b>
2	22002340	COLLAR, AGITATOR SHAFT
2	22002415	SHAFT, AGITATOR
3	206713	GEAR, BEVEL
4	22002342	SHAFT, CENTER (DEEP TUB) <b>(S/P)</b>
5	22002353	COLLAR, CENTER SHAFT
5	22002341	COLLAR, LOWER PLASTIC KEEPER
6	22002416	ASSEMBLY, CASE CASTING DEEP <b>(S/P)</b>
7	215394	WASHER, BEVEL GEAR <b>(S/P)</b>
8	211483	WASHER, SPLINED
9	207843	SEAL, LIP (CENTER SHAFT)
10	206629	PIN, COLLAR
11	215401	PINION
12	215395	PLATE, CLUTCH
13	215417	SCREW, TRANSMISSION COVER <b>(S/P)</b>
14	22002417	O-RING AGITATOR SHAFT
14	210690	SEAL, RUBBER
15	Y058700	SILASTIC, ADH.SEALANT <b>(S/P)</b>
16	215581	SPRING, AGITATOR SHAFT
17	206685	BLOCK, TORQUE AND YOKE ASSEMBL
18	22002126	TRANSMISSION, ORB.(DEEP TUB)
19	12002012	BRAKE/BEARING TOOL (COMPLETE) <b>(S/P)</b>
20	20000021	LIP SEAL TOOL KIT <b>(S/P)</b>

Distribuidor Autorizado

SurteRápido.com

Venta de Refacciones  
Electrodomesticas

# LSG7806ABQ AGITADOR







**LSG7806ABQ AGITADOR**

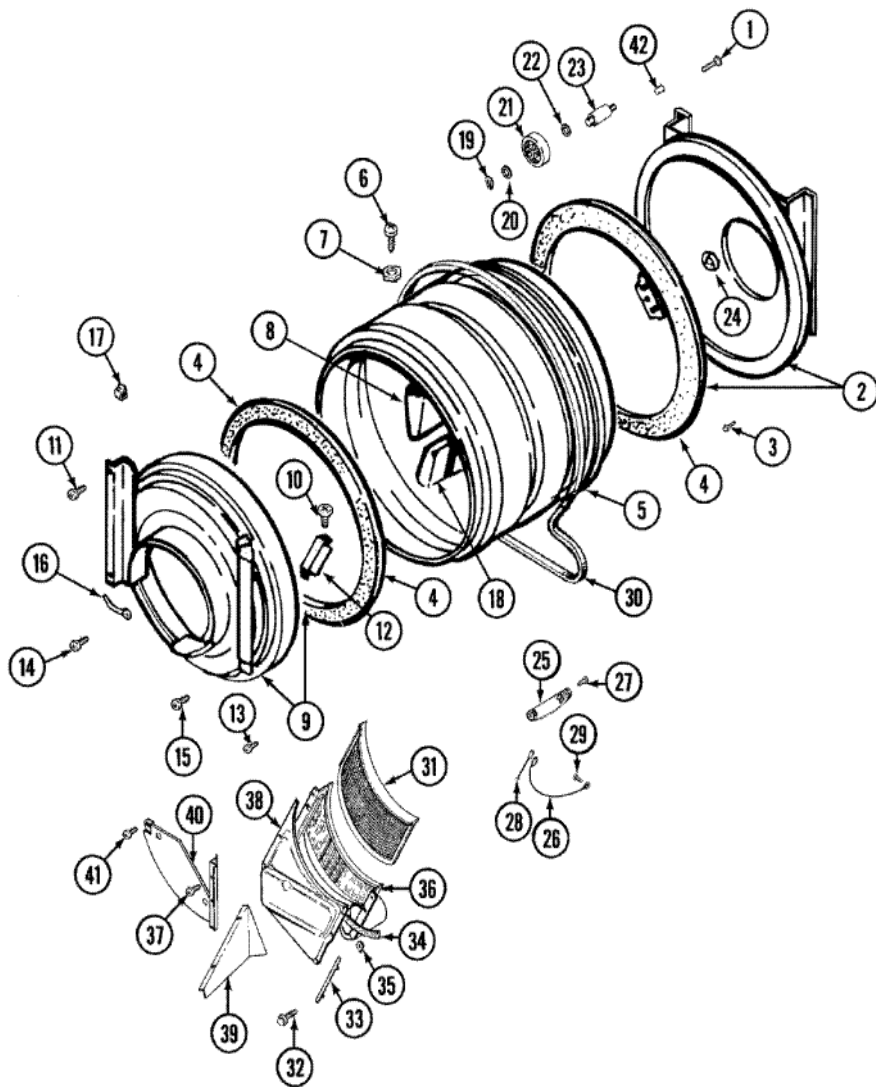
1	207538	AGITATOR W/LOCK SCREW (S/P)
2	22001616	TUBE, AIR (S/P)
3	2-11130	LINER, TUB BEARING
4	200744	BOLT & GASKET ASSY.(SHORT) (S/P)
4	205254	BOLT & GASKET ASSEMBLY (LONG) (S/P)
5	22001299	TUB COVER & GASKET ASSEMBLY (S/P)
6	22001007	GASKET (S/P)
7	2-14495	TUBE, INLET TO TUB
8	211641	CLAMP, 1-1/16`` (S/P)
9	22001142	RING, BALANCE (W/CONCRETE) (S/P)
10	410296	CLAMP, WATER LEVEL SWTCH TUBE (S/P)
11	2-11047	NUT, CLAMPING (INNER TUB)
12	22204012	MOUNTING STEM AND SEAL KIT
13	22001295	HOUSING, DISPENSER
14	22001294	CUP, DISPENSING
15	207219	FILTER, SELF-CLEANING
16	213045	DRAIN HOSE-TUB TO PUMP
17	22001640	CLAMP, HOSE (S/P)
18	206478	SCREW & WASHER FOR AGITATOR
19	22001423	SCREW, SET (TORX) (S/P)
20	22001640	CLAMP, HOSE (S/P)
21	211210	WASHER, CLAMPING NUT(STAINLESS) (S/P)
22	2-824	BEARING, TUB
23	2-4013	TUB BEARING REPAIR KIT
24	2201881	TUB, INNER (LARGE-WHT) (S/P)
25	205161	CLAMP - 15/16`` (S/P)
26	Y015667	RETAINING RING (S/P)
27	Y054867	<b>DESCONTINUADO</b>
28	Y015666	WASHER, RETAINING(CENTER SEAL) (S/P)
29	22204012	MOUNTING STEM AND SEAL KIT
30	22001116	TUB, OUTER (STACK) (S/P)
31	211100	WASHER, CUSHION (S/P)
32	214434	SPOUT, DEFLECTOR (S/P)

Distribuidor Autorizado

SurteRápido.com

Venta de Refacciones  
Electrodomesticas

LSG7806ABQ TAMBOR





## LSG7806ABQ TAMBOR

1	Y310632	SCREW (S/P)
2	33001106	BACK, TUMBLER (W/SEAL) (S/P)
3	211294	SCREW (S/P)
4	314820	SEAL, TUMBLER (S/P)
5	33001177	TUMBLER (S/P)
6	Y310759	SCREW (S/P)
7	314158	WASHER (S/P)
8	33001014	BAFFLE (TALL)
9	33001107	FRONT, TUMBLER (S/P)
10	210720	RIVET (S/P)
11	Y313561	<b>DESCONTINUADO</b>
12	306508	TUMBLER BEARING KIT
13	Y314110	SCREW, INLET DUCT (S/P)
14	910343	SCREW, GROUND WIRE (S/P)
15	Y310632	SCREW (S/P)
16	901220	WIRE, GROUND (S/P)
17	22003298	RETAINER, WIRE (S/P)
18	33001013	BAFFLE (SHORT)
19	410233	RING, RETAINING (S/P)
20	312535	WASHER, ROLLER SHAFT (S/P)
21	12001541	BEARING & ROLLER ASSEMBLY
22	312535	WASHER, SPRING (ROLLER SHAFT) (S/P)
23	3-12948	SHAFT, TUMBLER ROLLER
24	33001443	NUT, ROLLER SHAFT (S/P)
25	304997	SENSOR ASSEMBLY (W/SCREWS)
26	Y303711	SENSOR GROUND WIRE (S/P)
27	Y251119	SCREW (S/P)
28	Y312658	RECEPTACLE, SENSOR GROUND WIRE (S/P)
29	211294	SCREW (S/P)
30	3-12959	BELT, DRUM
31	33001003	SCREEN, LINT
32	Y312961	SCREW (S/P)
33	Y313795	GUIDE FOR LINT SCREEN (S/P)
34	Y313796	LINT SEAL (S/P)

35	48860	FASTENER ON OUTLET DUCT (S/P)
36	33001006	DUCT, OUTLET & GRID (S/P)
37	Y312961	<b>DESCONTINUADO</b>
38	314485	OUTLET DUCT AND GRID (S/P)
39	315239	SHIELD FOR OUTLET DUCT (S/P)
40	315238	SHIELD (S/P)
41	310207	SCREW, NO.6 X 1/4 INCH (S/P)
42	313915	COVER, THREAD (S/P)