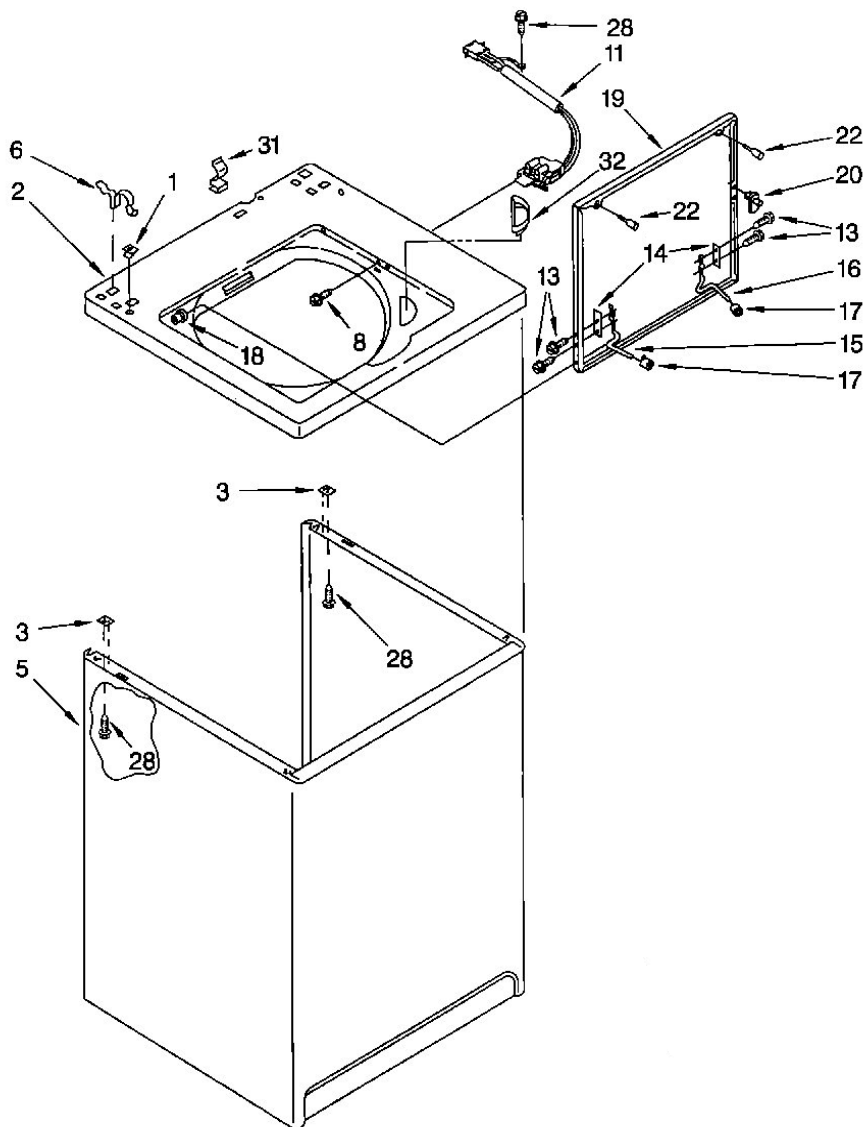


Distribuidor Autorizado

SurteRápido.com

Venta de Refacciones
Electrodomesticas

LSP9355AN0 GABINETE





LSP9355AN0 GABINETE

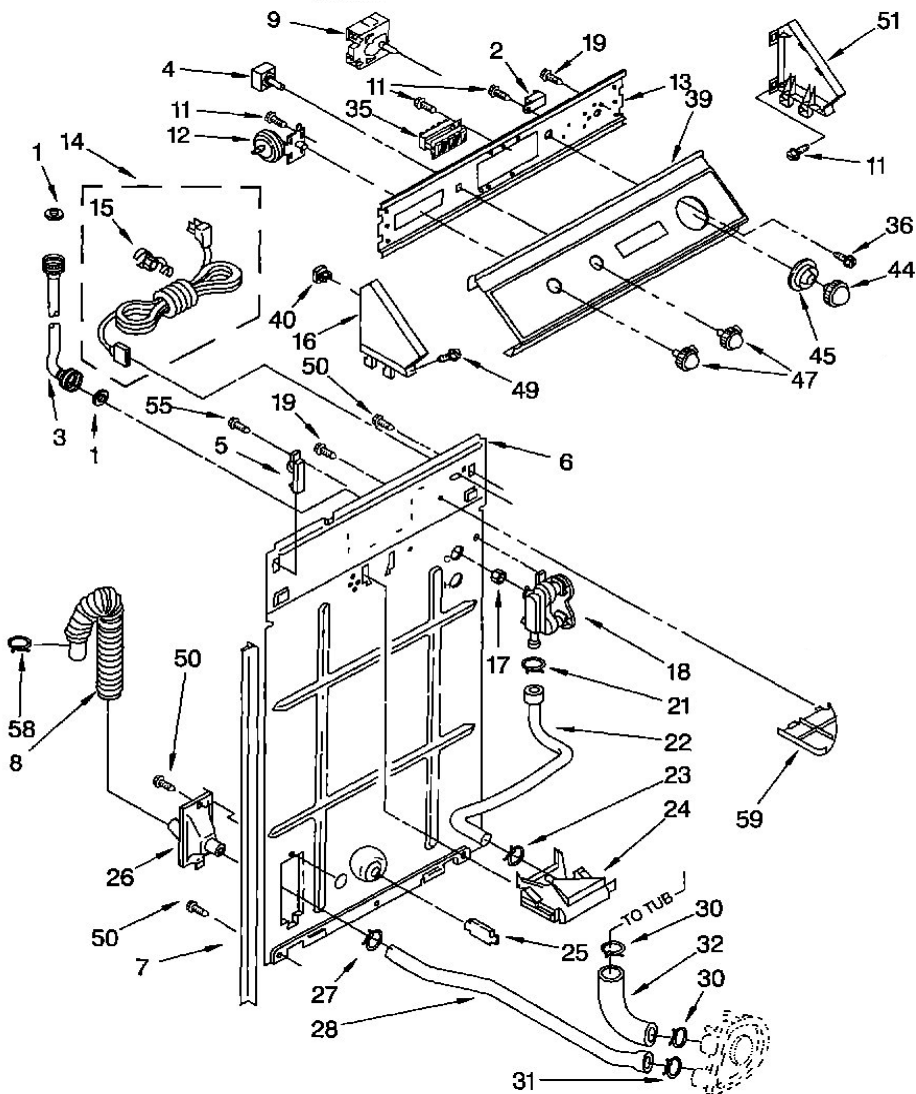
1	357213	NUT, PUSH-IN (2) (S/P)
2	3949476	TOP (WHITE) (S/P)
2	3949478	TOP (GOLDEN HARVEST) (S/P)
2	3949477	TOP (ALMOND) (S/P)
3	62750	SPACER, CABINET TO TOP (4) (S/P)
5	63424	CABINET (WHITE) (S/P)
5	63425	CABINET (ALMOND)
5	63428	CABINET (GOLDEN HARVEST) (S/P)
6	62780	CLIP, TOP & CABINET & REAR PANEL (2)
8	3356311	SCREW & WASHER, LID SWITCH (2) (S/P)
11	285671	SWITCH, LID
13	3351355	SCREW, LID HINGE MOUNTING (4) (S/P)
14	21097	PAD, LID HINGE (2) (S/P)
15	54584	HINGE, LID (L.H.) (S/P)
16	54583	HINGE, LID (R.H.) (S/P)
17	19119	BUMPER, LID HINGE (S/P)
18	21258	BEARING, LID HINGE (2) (S/P)
19	3957564	LID (ALMOND) (S/P)
19	3957563	LID (WHITE) (S/P)
19	285881	LID (GOLDEN HARVEST) (S/P)
20	358684	STRIKE, LID SWITCH
22	93770	BUMPER, LID (2)
28	384435	SCREW, 10-16 X 1/2 (5) (S/P)
31	90016	CLIP, HARNESS (S/P)
32	3362952	DISPENSER, BLEACH

Distribuidor Autorizado

SurteRápido.com

Venta de Refacciones
Electrodomesticas

LSP9355AN0 TABLERO



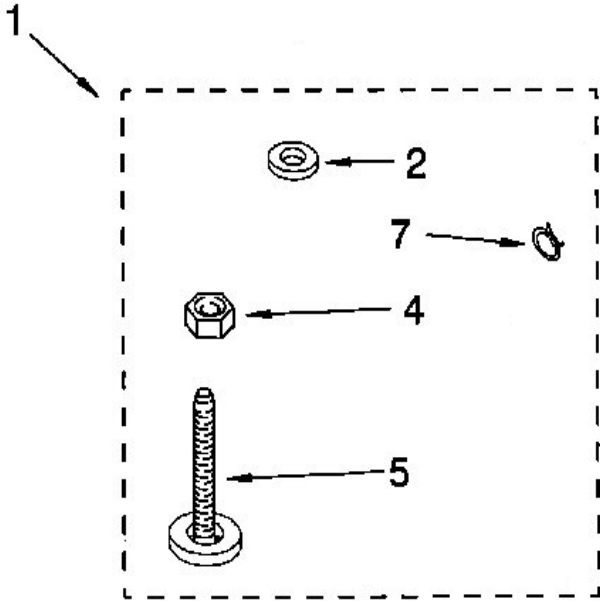


LSP9355AN0 TABLERO

1	16123	WASHER, WATER INLET HOSE (4) (1-1/16 X 5/8) (S/P)
2	694419	MINI BUZZER
3	89503	HOSE, WATER INLET (2)
4	3354281	SWITCH, CYCLE MODIFIER
5	387402	HINGE, CONSOLE (2)
6	3357978	PANEL, REAR (S/P)
7	62747	PAD, REAR PANEL (S/P)
8	661577	HOSE, DRAIN (10 FT.) (NOT INCLUDED)
8	285664	HOSE, DRAIN (5-1/2 FT.)
9	3358993	TIMER, CONTROL (60 HZ.)
11	3390646	SCREW, 8-18 X 5/16 (S/P)
12	3356465	SWITCH, WATER LEVEL
13	3361414	BRACKET, CONTROL (S/P)
14	285800	CORD, POWER
15	285777	STRAIN RELIEF, POWER CORD (S/P)
16	285846	CAP, END (L.H.) (WHITE/CHROME)
16	285848	CAP, END (L.H.) (ALMOND/CHROME) (S/P)
17	96160	SCREEN, FILTER (2) (S/P)
18	285805	VALVE, WATER MIXING
19	90864	SCREW, 10-24 X 3/8 (2) (S/P)
21	660632	CLAMP, HOSE (S/P)
22	3357328	HOSE, VACUUM BREAK
23	371503	CLAMP, HOSE (S/P)
24	3360977	BREAK, VACUUM
25	63290	SUPPORT, REAR PANEL
26	3976399	CONNECTOR, DRAIN HOSE
27	356138	CLAMP, HOSE (S/P)
28	3348552	HOSE, PUMP TO DRAIN CONNECTOR
30	371502	CLAMP, HOSE (S/P)
31	660628	CLAMP, HOSE (S/P)
32	285871	HOSE, PUMP TO TUB
35	3359102	SWITCH, PUSHBUTTON (5) (S/P)
36	96435	SCREW, TIMER MOUNTING (10-32 X 1) (2) (S/P)

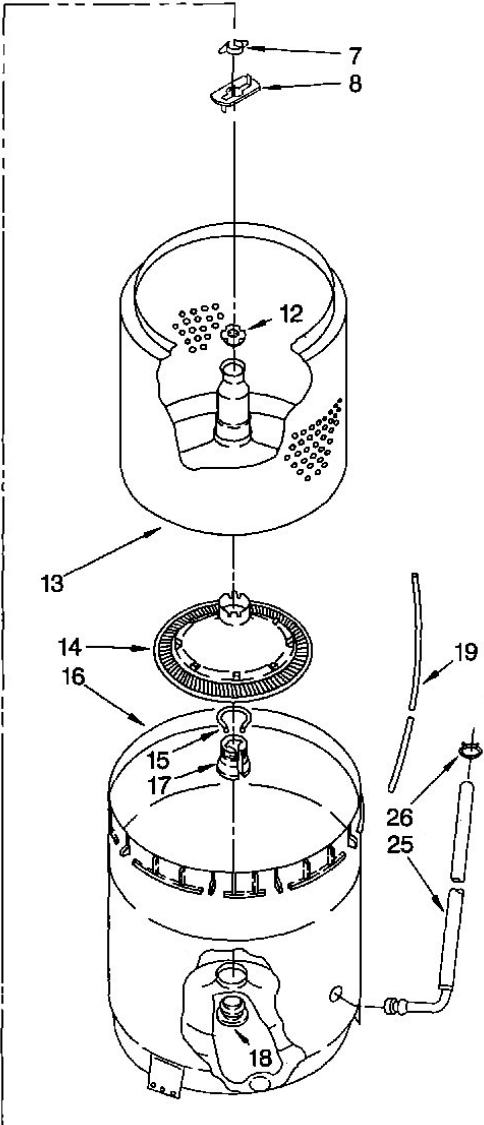
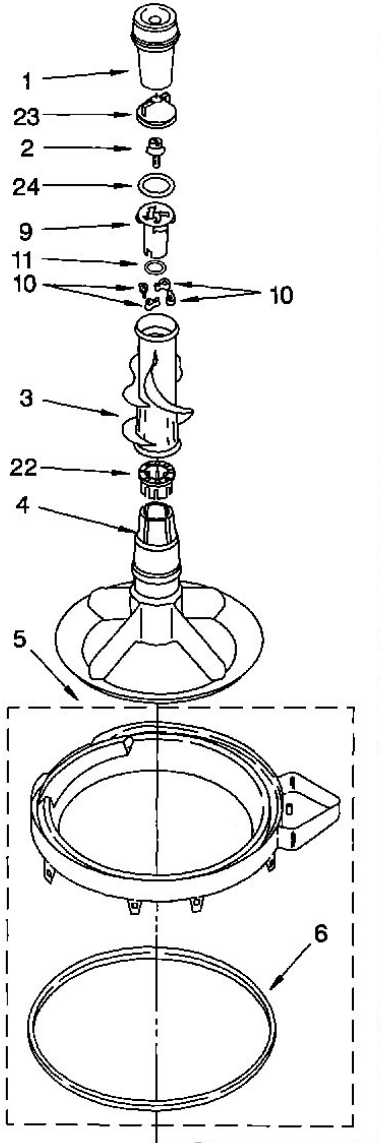
39	3359262	PANEL, CONSOLE (FOR WHITE MODEL) (S/P)
40	689559	NUT, PUSH-IN (2) (S/P)
44	3364290	KNOB, TIMER
45	280193	DIAL, TIMER
47	8271338	KNOB, CONTROL (S/P)
49	3353145	SCREW, 8-18 (2) (PANEL TO TOP) (S/P)
50	62863	SCREW, 10-16 X 3/8 (S/P)
51	285846	CAP , END (R.H.) (WHITE/CHROME)
51	285848	CAP , END (R.H.) (ALMOND/CHROME) (S/P)
55	3357011	SCREW, 10-16 X 1/2 (S/P)
58	3357331	CLAMP, DRAIN HOSE (S/P)
59	8539874	SHEILD, SUDS (S/P)

LSP9355AN0 PATA



1	285609	MISCELLANEOUS PARTS BAG (S/P)
2	16123	WASHER, INLET HOSE (1-1/16 X 5/8) (4) (S/P)
4	3359452	NUT, LOCK (3/8-16) (S/P)
5	389102	FOOT, FRONT (2)
7	356138	CLAMP, HOSE (S/P)

LSP9355AN0 TINA

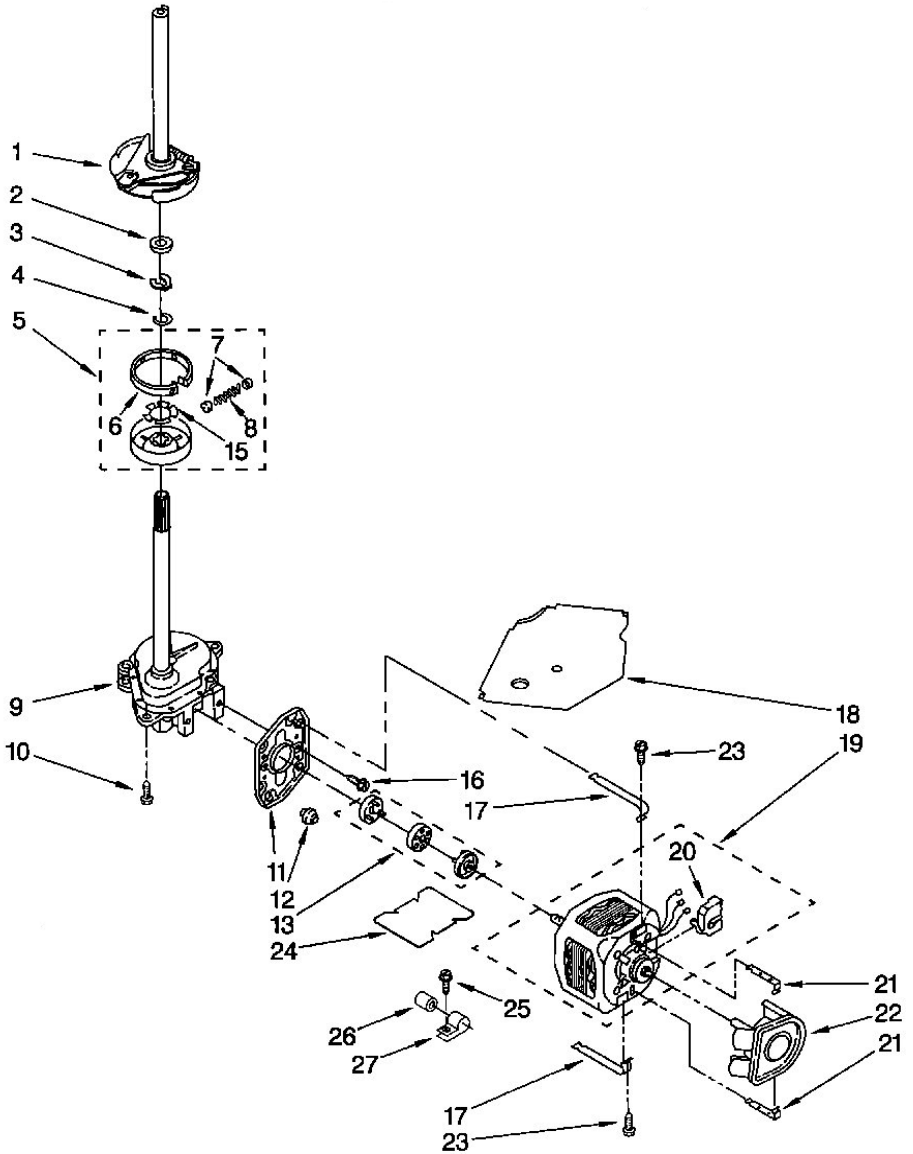




LSP9355ANO TINA

1	63580	DISPENSER
2	358237	SCREW & WASHER (5-16-24 X 1)
3	3348752	CLOTHES MOVER
4	3347288	AGITATOR
5	8528150	TUB RING & GASKET
6	3976308	GASKET, TUB RING
7	3354845	CLIP, AGITATOR (S/P)
8	3355921	WASHER, AGITATOR (S/P)
9	285811	CAM DRIVEN
10	285770	DOG, AGITATOR CLUTCH
11	357574	SEAL, AGITATOR
12	21366	NUT, SPANNER
13	8526016	BASKET & BALANCE RING (S/P)
14	285868	FILTER, PLATE (INCLUDES ILLUS. 15)
15	62942	LOCK, FILTER (S/P)
16	3361596	TUB (S/P)
17	389140	BLOCK, BASKET DRIVE
18	383727	GASKET, CENTER POST
19	353244	HOSE, PRESSURE SWITCH
22	285587	SPACER, THRUST
23	285551	CAP, BARRIER
24	3348855	SEAL, INNER CAP
25	63323	DESCONTINUADO
26	356436	CLAMP, HOSE (S/P)

LSP9355AN0 MOTOR





LSP9355AÑO MOTOR

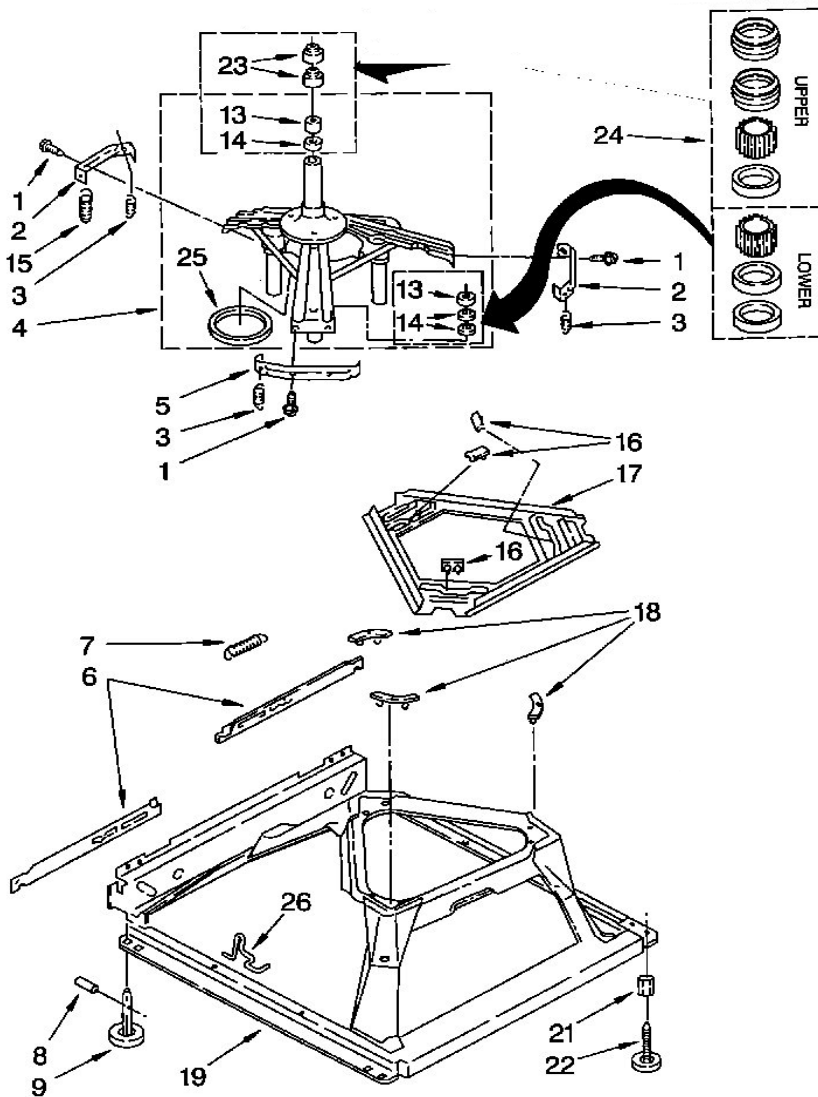
1	285792	BRAKE & DRIVE TUBE (COMPLETE)
2	63292	WASHER, SPIN TUBE THRUST
3	62697	RING, SPIN TUBE SUPPORT
4	285353	RING, RETAINER
5	285785	CLUTCH (COMPLETE)
6	285790	BAND & LINING, CLUTCH
7	62646	CAP, CLUTCH SPRING (2) (S/P)
8	285790	SPRING, CLUTCH (S/P)
9	3360629	GEARCASE (COMPLETE)
10	62735	SCREW, GEARCASE TO BASE (3) (S/P)
11	62611	PLATE, MOTOR MOUNT TO GEARCASE
12	62691	GROMMET, MOTOR (4)
13	285753	COUPLING, MOTOR & ISOLATION
15	3355454	CLIP, ANTI-RATTLE (S/P)
16	98062	SCREW, 5/16-24 X 5/8 (2) (S/P)
17	3349637	RETAINER, MOTOR (2)
18	3362089	SHIELD, TUB TO MOTOR (S/P)
19	3352287	MOTOR, MAIN DRIVE
20	8529896	SWITCH, MAIN DRIVE MOTOR
21	62700	RETAINER, PUMP (2)
22	3363394	PUMP (COMPLETE)
23	3387485	SCREW, 10-16 X 5/8 (S/P)
24	3946532	SHIELD, MOTOR (S/P)
25	9420601	SCREW, 10-16 X 5/16 (S/P)
26	8572720	CAPACITOR (S/P)
27	357030	CLAMP, CAPACITOR (S/P)

Distribuidor Autorizado

SurteRápido.com

Venta de Refacciones
Electrodomesticas

LSP9355AN0 BASE

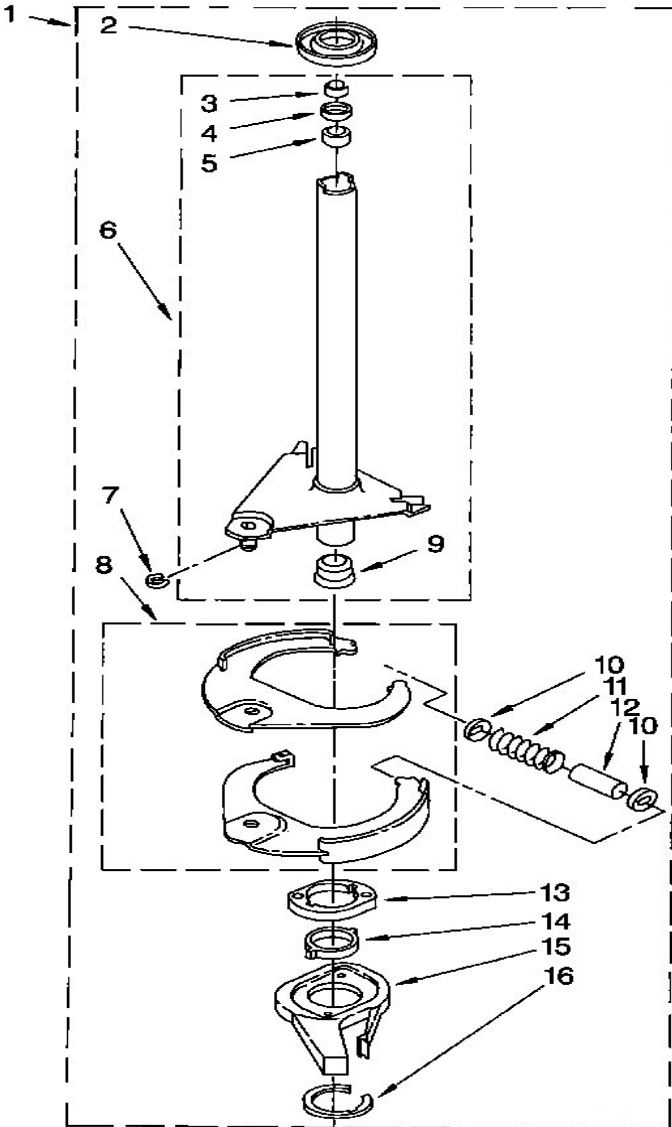




LSP9355AN0 BASE

1	98610	SCREW, BRACKET MOUNTING (10-16 X 5/8) (S/P)
2	64067	BRACKET, SPRING OUTER (2)
3	63907	SPRING, SUSPENSION (3)
4	280184	SUPPORT & BRAKE, TUB
5	64065	BRACKET, SPRING OUTER (L.F.)
6	63466	LINK, LEVELING MECHANISM (2)
7	8316845	SPRING, LEVELING MECHANISM
8	62837	PIN, KNURLED (S/P)
9	285244	FOOT, REAR (2)
13	8546455	BEARING, CENTERPOST (2) (S/P)
14	359449	SEAL, CENTERPOST (3)
15	388492	SPRING, COUNTERWEIGHT
16	285219	PAD, PLATE
17	3946509	PLATE, SUSPENSION (INCLUDES ILLUS. 16)
18	285744	PAD, BASE
19	285771	BASE ASSEMBLY
21	62739	NUT, LOCK (3/8-16) (2)
22	389102	FOOT, FRONT (2)
23	91938	SEAL, CENTERPOST (2)
24	285203	CENTERPOST BEARING KIT
25	63134	RING, SOUND DEADENING
26	63806	RETAINER, SUSPENSION SPRING

LSP9355AN0 FLECHA HUECA





LSP9355AÑO FLECHA HUECA

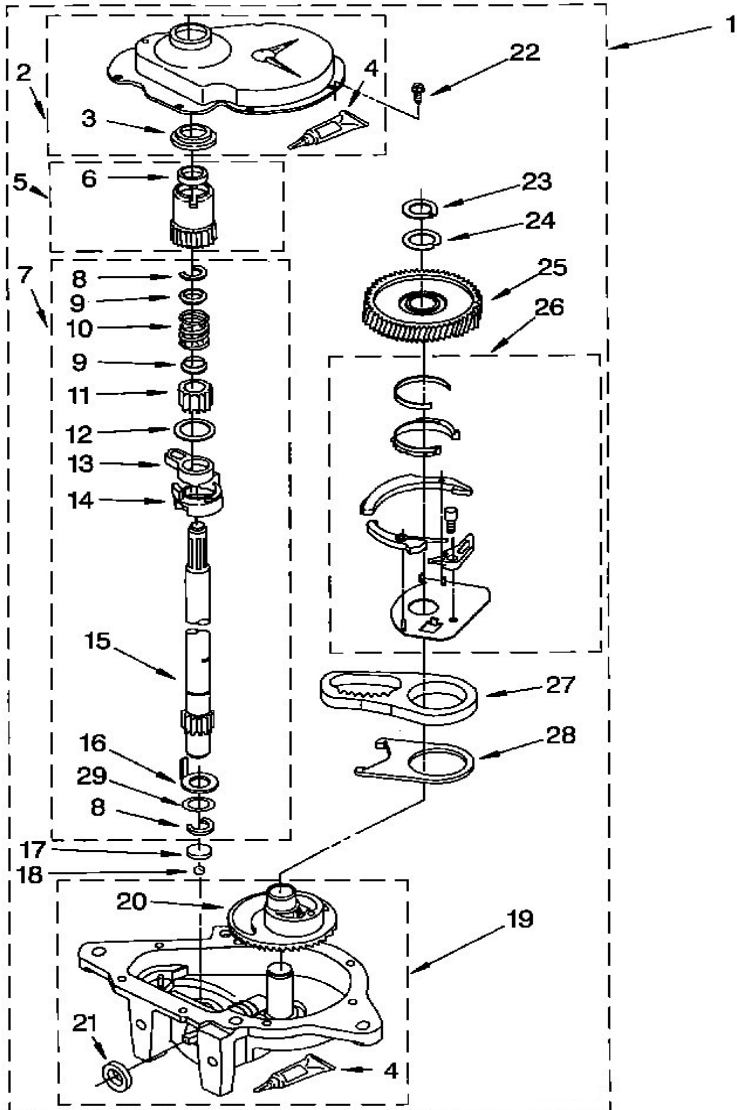
1	285792	BRAKE AND DRIVE TUBE (COMPLETE)
2	62658	RING, THRUST
3	91939	SEAL. OIL
4	356427	SEAL, DRIVE TUBE
5	356937	SPACER, DRIVE TUBE
6	64208	TUBE, BASKET DRIVE
7	64035	RING, RETAINING (S/P)
8	285438	SHOE, BRAKE
9	62703	``T`` BEARING, SPIN TUBE
10	285658	CAP, BRAKE SPRING (2) (S/P)
11	387806	SPRING, BRAKE
12	62909	SLEEVE, BRAKE SPRING (S/P)
13	661516	CAM, BRAKE RELEASE
14	63022	SLEEVE, CAM
15	285790	DRIVER, BRAKE CAM
16	285208	LUBRICANT (S/P)
16	90368	RING, RETAINING

Distribuidor Autorizado

SurteRápido.com

Venta de Refacciones
Electrodomesticas

LSP9355AN0 TRANSMISION





LSP9355AN0 TRANSMISION

1	3360629	GEARCASE (COMPLETE)
2	285202	COVER, GEARCASE (S/P)
3	3349985	SEAL, GEARCASE COVER
4	285195	SEALER, GASKET (.20 FL. OZ.) (6 ML)
5	285362	PINION, SPIN (INCLUDES ILLUS. 25)
6	356427	SEAL, SPIN PINION
7	389387	SHAFT, AGITSTOR (COMPLETE)
8	90369	RING, RETAINING (2)
9	62677	RETAINER, SPRING (2)
10	62676	SPRING, AGITATOR
11	285509	DESCONTINUADO
12	62619	WASHER, AGITATOR GEAR (S/P)
13	285206	FOLLOWER, CAM
14	285206	CAM, AGITATOR
15	389231	SHAFT, AGITATOR
16	62618	WASHER, CAM THRUST
17	285205	BEARING, THRUST
18	285205	BALL, BEARING
19	285515	BOTTOM AND PINION, GEARCASE (S/P)
20	285515	GEAR, MAIN DRIVE (S/P)
21	285352	SEAL, THRUST PLUG
22	90864	SCREW, GEARCASE COVER MOUNTING (8) (S/P)
23	285765	RING, RETAINING
24	285735	WASHER KIT, THRUST
25	285362	GEAR, SPIN
26	388253	NEUTRAL ASSEMBLY
27	3949609	RACK, CONNECTING
28	62621	ACTUATOR, SHIFT
29	388815	WASHER, INTERMEDIATE (S/P)