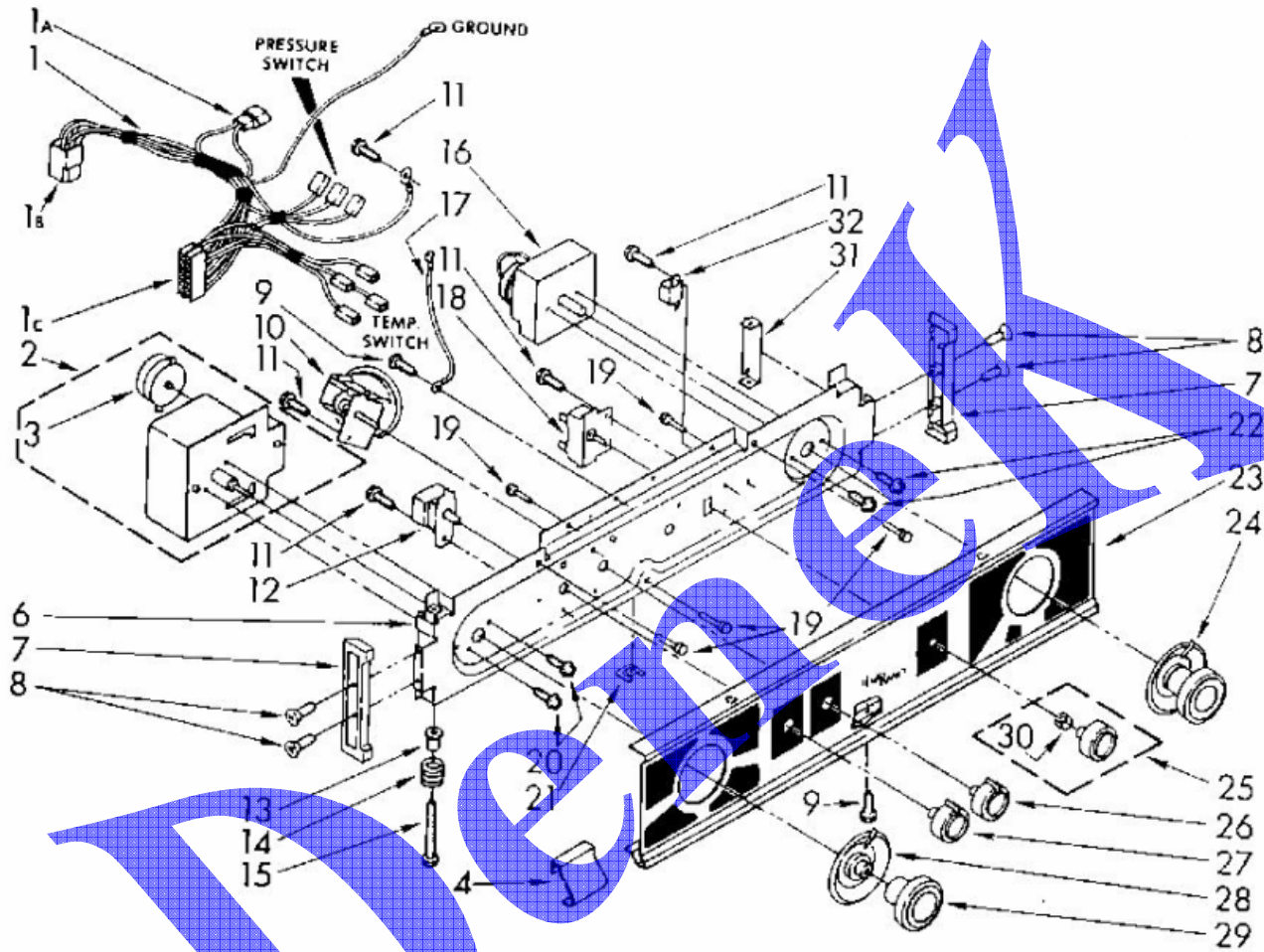


## C.L. WP MOD. LT5100XSW0

## PANEL DE CONTROL



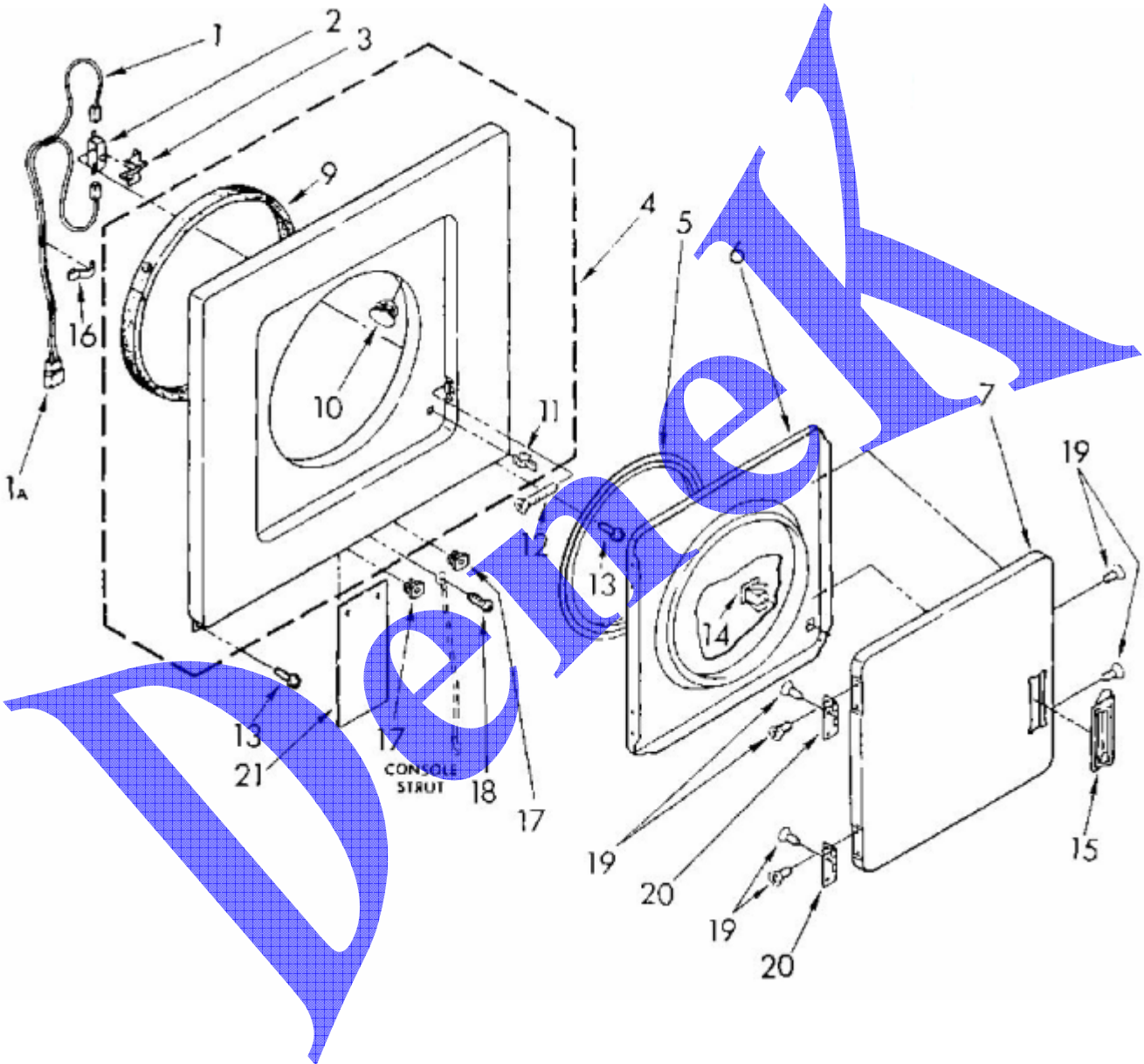
**C.L. WP MOD. LT5100XSW0**

**PANEL DE CONTROL**

| NUMERO | N.DE PARTE | DESCRIPCION   |
|--------|------------|---|
| 1      | 3387713    | HARNESS, CONSOLE WIRING (AUTOMATIC)                           |
| 1      | 342529     | PLUG, TERMINAL (2-WAY) (CONNECTS WITH MAIN DRYER HARNESS)     |
| 1      | 696073     | RECEPTACLE, CONNECTOR (CONNECTS WITH LOWER AUTOMATIC HARNESS) |
| 1      | 352089     | DISCONNECT BLOCK (CONNECTS WITH AUTOMATIC TIMER)              |
| 2      | 3347890    | TIMER, CONTROL (60 HZ.) (AUTOMATIC WASHER)                    |
| 3      | 63491      | MOTOR, TIMER (60 HZ.)   |
| 6      | 694338     | BRACKET, CONTROL  |
| 7      | 692993     | END CAP, CONSOLE (L.H. & R.H.)                                |
| 8      | 348689     | SCREW, END CAP MOUNTING (4) (6-32 X 3/4)                      |
| 9      | 694091     | SCREW, MOUNTING (2) NO.8 POSIDRIVE                            |
| 10     | 64093      | SWITCH, WATER LEVEL   |
| 11     | 342202     | SCREW, TAPPING (6)  |
| 12     | 660393     | SWITCH, WATER TEMPERATURE                                     |
| 12     | 370145     | SWITCH, WATER TEMPERATURE (ALT.)                              |
| 12     | 370146     | SWITCH, WATER TEMPERATURE (ALT.)                              |
| 13     | 693711     | SLEEVE, CONSOLE LOCK SCREW (2)                                |
| 14     | 693151     | SPRING, CONSOLE LOCK (2)                                      |
| 15     | 693710     | SCREW, CONSOLE LOCK (2)                                       |
| 16     | 3388255    | TIMER, CONTROL (60 HZ.) (DRYER) (TIMER MOTOR NOT SERVICEABLE) |
| 17     | 693175     | STRUT, CONSOLE  |
| 18     | 693169     | SWITCH, PUSH-TO-START   |
| 19     | 693152     | BUMPER, CONSOLE (5)   |
| 20     | 96435      | SCREW, TIMER MOUNTING (2)                                     |
| 21     | 694037     | CLIP, CONSOLE   |
| 22     | 98139      | SCREW, DRYER TIMER MOUNTING (2) (8-32 X 5/16)                 |
| 23     | 694333     | PANEL, CONTROL  |
| 24     | 696352     | KNOB & SKIRT, DRYER TIMER                                     |
| 25     | 3388562    | BUTTON, PUSH-TO-START   |
| 26     | 696342     | KNOB & CLIP, WATER LEVEL                                      |
| 27     | 696342     | KNOB & CLIP, WATER TEMP.                                      |
| 28     | 3388182    | DIAL, TIMER   |
| 29     | 3347726    | KNOB, TIMER   |
| 30     | 688805     | SPRING, KNOB  |
| 31     | 692983     | LOCK, CONSOLE (2)   |
| 32     | 694419     | BUZZER  |

## C.L. WP MOD. LT5100XSW0

## PANEL FRONTAL SECADORA Y PUERTA



**C.L. WP MOD. LT5100XSW0**

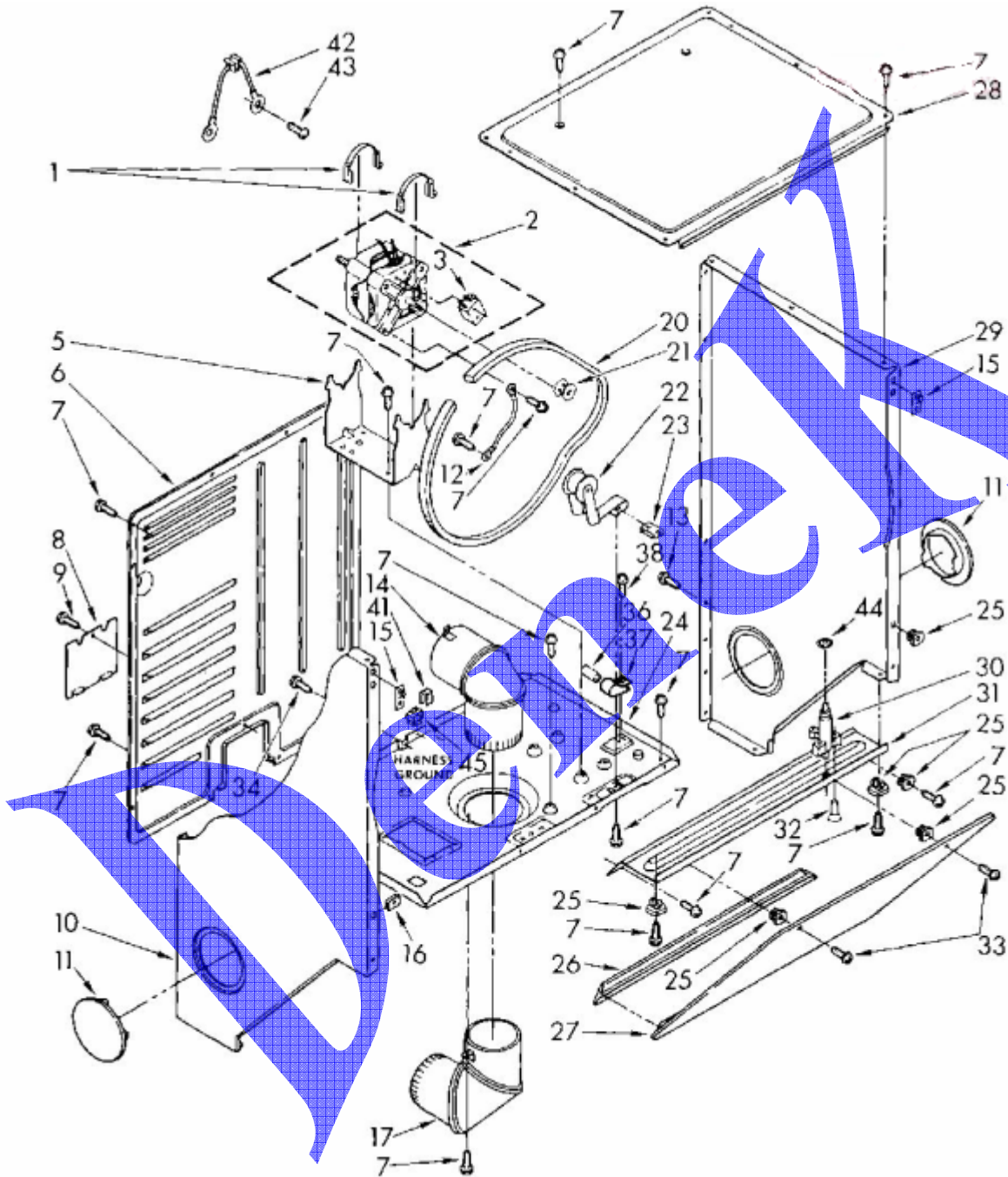
**PANEL FRONTAL SECADORA Y PUERTA**

| NUMERO | N.DE PARTE | DESCRIPCION   |
|--------|------------|---|
| 1      | 692728     | HARNESS, DOOR SWITCH (INCLUDES ILLUS. 1A)                 |
| 1      | 717253     | PLUG, TERMINAL (2-WAY) (CONNECTS WITH MAIN DRYER HARNESS) |
| 2      | 347207     | SWITCH, DOOR  |
| 3      | 295998     | LEVER, DOOR SWITCH  |
| 4      | 692619     | PANEL, FRONT (WHITE)                                      |
| 4      | 692620     | PANEL, FRONT (ALMOND)                                     |
| 4      | 692623     | PANEL, FRONT (GOLDEN HARVEST)                             |
| 4      | 692621     | PANEL, FRONT (TOAST)                                      |
| 4      | 692622     | PANEL, FRONT (PLATINUM)                                   |
| 5      | 685763     | SEAL, DOOR  |
| 6      | 695656     | DOOR, REAR  |
| 7      | 348205     | DOOR, FRONT (WHITE)                                       |
| 7      | 689314     | DOOR, FRONT (ALMOND)                                      |
| 7      | 689319     | DOOR, FRONT (GOLDEN HARVEST)                              |
| 7      | 695214     | DOOR, FRONT (TOAST)                                       |
| 7      | 695215     | DOOR, FRONT (PLATINUM)                                    |
| 9      | 349462     | BEARING & SEAL  |
| 10     | 685203     | CLIP, FELT PAD (2)  |
| 11     | 696144     | STRIKE, PANEL   |
| 12     | 98129      | SCREW, DOOR SWITCH MOUNTING (2)                           |
| 13     | 343641     | SCREW, 10-16 X 1/2 (2) (FRONT PANEL TO SIDE PANEL)        |
| 14     | 3389441    | CATCH, DOOR   |
| 15     | 686715     | HANDLE, DOOR (WHITE)                                      |
| 15     | 689306     | HANDLE, DOOR (ALMOND)                                     |
| 15     | 689584     | HANDLE, DOOR (GOLDEN HARVEST)                             |
| 15     | 695285     | HANDLE, DOOR (TOAST)                                      |
| 15     | 695286     | HANDLE, DOOR (PLATINUM)                                   |
| 16     | 692846     | SUPPORT PROTECTOR   |
| 17     | 693739     | FASTENER, PUSH (2)  |
| 18     | 339554     | SCREW, CONSOLE STRUT MOUNTING                             |
| 19     | 694091     | SCREW, DOOR MOUNT TO HINGE & PANEL (10)                   |
| 20     | 348023     | HINGE & PIN, DOOR (2)                                     |
| 21     | 693303     | BARRIER, HARNESS  |



## C.L. WP MOD. LT5100XSW0

## GABINETE DE LA SECADORA Y MOTOR



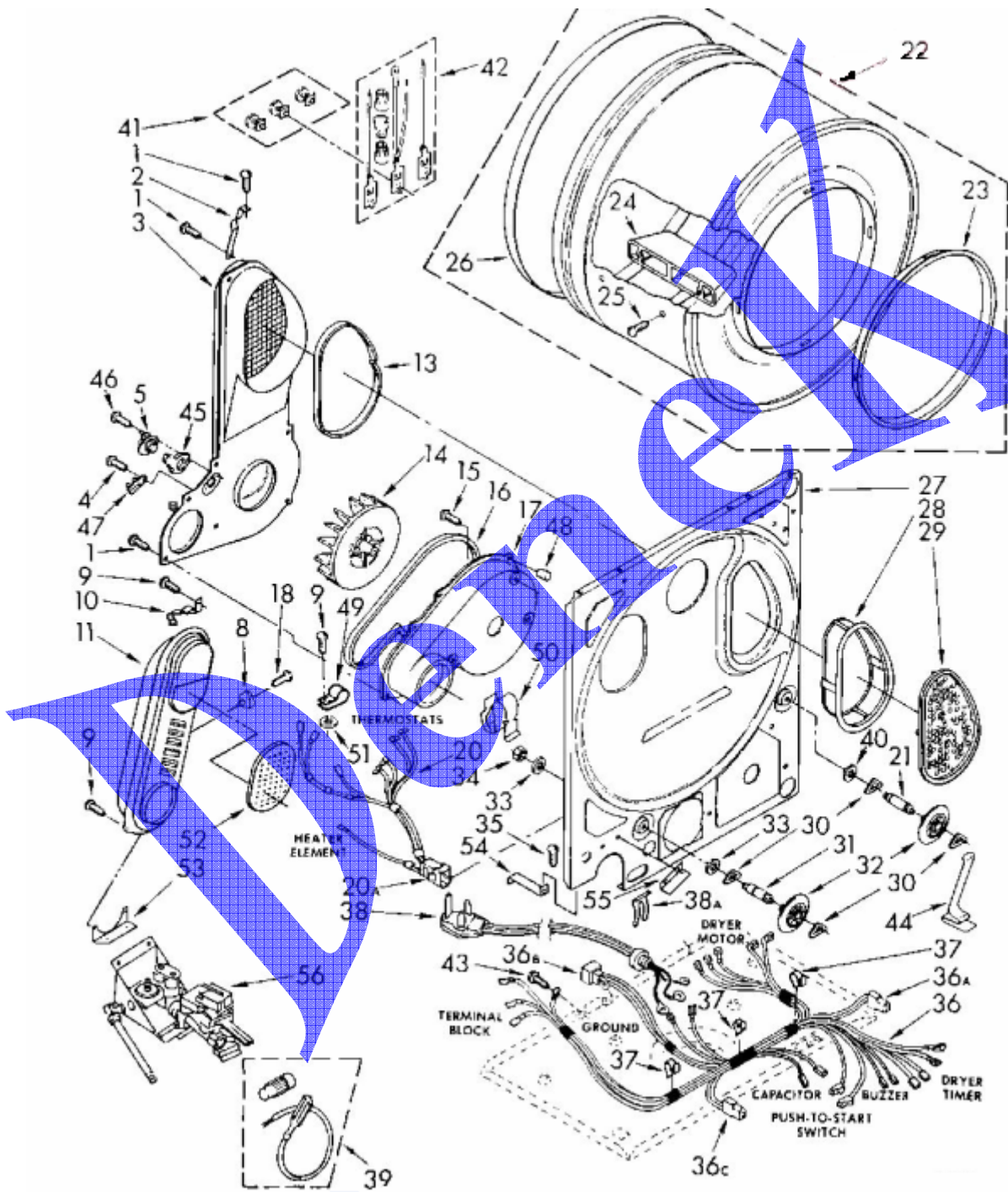
**C.L. WP MOD. LT5100XSW0**

**GABINETE DE LA SECADORA Y MOTOR**

| NUMERO | N.DE PARTE | DESCRIPCION   |
|--------|------------|---|
| 1      | 660658     | CLAMP, MOTOR MOUNTING (2)                               |
| 1      | 343481     | CLAMP, MOTOR MOUNTING (2) (ALT.)                        |
| 1      | 685441     | CLAMP, MOTOR MOUNTING (2) (ALT.)                        |
| 2      | 695074     | MOTOR, MAIN DRIVE (60 HZ.)                              |
| 3      | 337351     | SWITCH, MOTOR START                                     |
| 5      | 696541     | BRACKET, MOTOR  |
| 6      | 692626     | PANEL, REAR   |
| 7      | 343641     | SCREW, 10-16 X 1/2                                      |
| 8      | 307972     | COVER, TERMINAL BLOCK                                   |
| 9      | 687128     | SCREW, 10-16 X 1/2                                      |
| 10     | 692613     | PANEL, SIDE (L.H.) (WHITE)                              |
| 10     | 692614     | PANEL, SIDE (L.H.) (ALMOND)                             |
| 10     | 692617     | PANEL, SIDE (L.H.) (GOLDEN HARVEST)                     |
| 10     | 692615     | PANEL, SIDE (L.H.) (TOAST)                              |
| 10     | 692616     | PANEL, SIDE (L.H.) (PLATINUM)                           |
| 11     | 692790     | PLUG, SIDE PANEL (2) (WHITE)                            |
| 11     | 692791     | PLUG, SIDE PANEL (2) (ALMOND)                           |
| 11     | 692794     | PLUG, SIDE PANEL (2) (GOLDEN HARVEST)                   |
| 11     | 692792     | PLUG, SIDE PANEL (2) (TOAST)                            |
| 11     | 692793     | PLUG, SIDE PANEL (2) (PLATINUM)                         |
| 12     | 687261     | WIRE, MOTOR GROUND                                      |
| 13     | 308544     | SCREW, 10-24 X 1/2 (8) (MOUNTS DRYER TO DRYER SUPPORTS) |
| 14     | 695524     | ELBOW, UPPER  |
| 15     | 237823     | CLIP, FRONT PANEL (2)                                   |
| 16     | 98234      | CLIP, GROUND  |
| 17     | 696045     | ELBOW, LOWER  |
| 20     | 345675     | BELT, DRIVE   |
| 21     | 694872     | PULLEY, MOTOR (60 HZ.)                                  |
| 22     | 691366     | IDLER & BRACKET   |
| 23     | 692771     | NUT, IDLER BRACKET TO BASE                              |
| 24     | 697410     | BASE, DRYER   |
| 25     | 692400     | NUT, PUSH-IN  |
| 26     | 692926     | COVE, TRANSITION PANEL (BLACK)                          |
| 27     | 692933     | PANEL, TRANSITION (WHITE)                               |
| 27     | 692934     | PANEL, TRANSITION (ALMOND)                              |
| 27     | 692937     | PANEL, TRANSITION (GOLDEN HARVEST)                      |
| 27     | 692935     | PANEL, TRANSITION (TOAST)                               |
| 27     | 692936     | PANEL, TRANSITION (PLATINUM)                            |
| 28     | 692641     | TOP, DRYER  |
| 29     | 692607     | PANEL, SIDE (R.H.) (WHITE)                              |
| 29     | 692608     | PANEL, SIDE (R.H.) (ALMOND)                             |
| 29     | 692611     | PANEL, SIDE (R.H.) (GOLDEN HARVEST)                     |
| 29     | 692609     | PANEL, SIDE (R.H.) (TOAST)                              |
| 29     | 692610     | PANEL, SIDE (R.H.) (PLATINUM)                           |
| 30     | 693145     | LATCH, LID  |
| 31     | 692781     | CLOSURE, CONTROL AREA (WHITE)                           |
| 31     | 692782     | CLOSURE, CONTROL AREA (ALMOND)                          |
| 31     | 692785     | CLOSURE, CONTROL AREA (GOLDEN HARVEST)                  |
| 31     | 692783     | CLOSURE, CONTROL AREA (TOAST)                           |
| 31     | 692784     | CLOSURE, CONTROL AREA (PLATINUM)                        |
| 32     | 354975     | SCREW & WASHER (3) (LID LATCH MOUNTING)                 |
| 33     | 693304     | SCREW & WASHER (2) (TRANSITION PANEL TO CLOSURE)        |
| 34     | 690989     | SCREW, GROUND (2) (10-32 X 1/2)                         |
| 36     | 357021     | CAPACITOR, MOTOR START (AUTOMATIC WASHER)               |
| 37     | 357030     | CLAMP, CAPACITOR  |
| 38     | 343641     | SCREW, CAPACITOR MOUNTING (10-16 X 1/2)                 |
| 41     | 3390046    | PROTECTOR, EDGE   |
| 42     | 3388580    | CABLE   |
| 43     | 343641     | SCREW, 10-16 X 1/2 (2)                                  |
| 44     | 90296      | CLIP  |
| 45     | 697438     | CLIP (2)  |

## C.L. WP MOD. LT5100XSW0

## TAMBOR SECADORA





C.L. WP MOD. LT5100XSW0

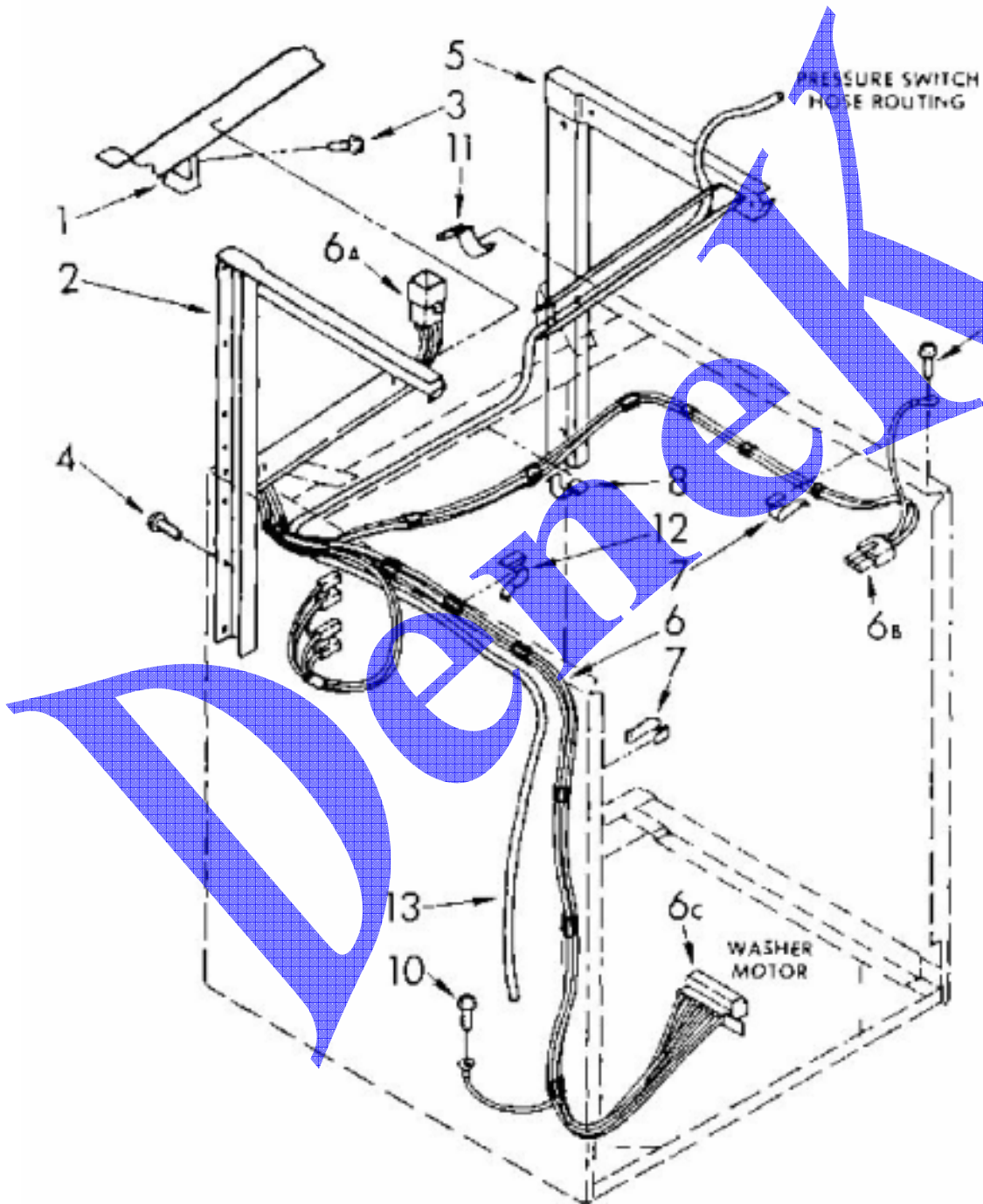
TAMBOR SECADORA

| NUMERO | N.DE PARTE | DESCRIPCION  |
|--------|------------|--|
| 1      | 343641     | SCREW, 10-16 X 1/2   |
| 2      | 345396     | CLIP, AIR DUCT TO BULKHEAD   |
| 3      | 696529     | AIR DUCT & COVER   |
| 4      | 90767      | SCREW, 8A X 3/8 (HEX HEAD)   |
| 5      | 660040     | THERMOSTAT, OPERATING (140~F) (60.0~C)                                 |
| 5      | 342812     | THERMOSTAT, OPERATING (140~F) (60.0~C) (ALT.)                          |
| 6      |            | SCREW, TERMINAL BLOCK TO BRACKET (2)                                   |
| 8      | 660036     | THERMOSTAT, HEATER BOX   |
| 8      | 696707     | THERMOSTAT, HEATER BOX (ALT.)  |
| 8      | 341196     | THERMOSTAT, HEATER BOX (ALT.)  |
| 9      | 687128     | SCREW, 10-16 X 1/2   |
| 10     | 337272     | CLIP, HEATER BOX TO BULKHEAD   |
| 11     | 697269     | HEATER BOX (120/240 VOLTS)   |
| 13     | 339956     | SEAL, AIR DUCT TO BULKHEAD   |
| 14     | 696426     | WHEEL, BLOWER  |
| 15     | 9416643    | SCREW, 10-16 X 1/2 (3) (FAN SCROLL TO BULKHEAD)                        |
| 16     | 696658     | SEAL, FAN SCROLL   |
| 17     | 696418     | FAN SCROLL   |
| 18     | 695240     | SCREW  |
| 19     | 696818     | THERMOSTAT, HEATER BOX (225~F) (107.2~C)                               |
| 20     | 697440     | HARNESS, THERMOSTAT & HEATER (INCLUDES ILLUS. 20A)                     |
| 20     | 692997     | PLUG, MULTI-TERMINAL (CONNECTS WITH MAIN DRYER HARNESS)                |
| 21     | 339489     | SHAFT, DRUM ROLLER (R.H.)  |
| 22     | 695943     | DRUM, DRYER  |
| 23     | 297936     | BEARING, RING  |
| 24     | 685207     | BAFFLE, DRUM (3)   |
| 25     | 690372     | SCREW, BAFFLE MOUNTING (6) (11-16 X 7/8)                               |
| 26     | 345648     | SEAL, DRUM REAR  |
| 27     | 697540     | BULKHEAD   |
| 28     | 348399     | SCREEN, LINT   |
| 29     | 685273     | COVER, LINT SCREEN OUTLET  |
| 30     | 690997     | TRI-RING (4)   |
| 31     | 347364     | SHAFT, DRUM ROLLER (L.H.)  |
| 32     | 349241     | ROLLER, SUPPORT (2)  |
| 33     | 348197     | WASHER, SUPPORT (4)  |
| 34     | 120377     | NUT, 3/8-16 (2)  |
| 35     | 342202     | SCREW, TAPPING (4) (BULKHEAD TO BASE)                                  |
| 36     | 697435     | HARNESS, MAIN DRYER WIRING (INCLUDES ILLUS. 36A, 36B & 36C)            |
| 36     | 717252     | RECEPTACLE, TERMINAL (2-WAY) (CONNECTS WITH DOOR SWITCH HARNESS)       |
| 36     | 692998     | RECEPTACLE, MULTI-TERMINAL (CONNECTS WITH THERMOSTAT & HEATER HARNESS) |
| 36     | 717315     | RECEPTACLE, TERMINAL (2-WAY) (CONNECTS WITH AUTOMATIC CONSOLE HARNESS) |
| 37     | 693141     | CLIP, WIRING HARNESS (3)   |
| 38     | 694018     | CORD, POWER  |
| 38     | 694415     | STRAIN RELIEF, POWER CORD  |
| 39     | 279457     | WIRE KIT (FOR HEATER ELEMENT WIRING HARNESS REPAIR)                    |
| 40     | 3388703    | WASHER, SUPPORT  |
| 41     | 279393     | SCREW KIT (FOR TERMINAL BLOCK)   |
| 42     | 279318     | TERMINAL, TINNED & BRASS (3) (INCLUDES ILLUS. 41)                      |
| 43     | 690989     | SCREW, GROUND (2) (10-32 X 1/2)  |
| 44     | 3389665    | CLIP, HARNESS  |
| 45     | 61894      | HEATER, THERMOSTAT   |
| 46     | 695240     | SCREW, 8-18 X 1/2 (2)  |
| 47     | 694511     | FUSE, THERMAL  |
| 48     | 359702     | CAP, SCREW   |
| 49     | 255563     | CLIP, STRAIN RELIEF  |
| 50     | 697439     | CLIP, HARNESS TO DUCT (2)  |
| 51     | 312147     | WASHER   |
| 52     | 345335     | COVER, MANIFOLD  |
| 53     | 347455     | SUPPORT, HEATER BOX  |
| 54     | 3387208    | SUPPORT, CORNER GAS  |
| 55     | 697597     | GUARD, SOCK  |
| 56     | 697436     | BURNER (REFER TO PAGE 20 FOR COMPLETE BREAKDOWN)                       |



## C.L. WP MOD. LT5100XSW0

## SOPORTE DE SECADORA Y PARTES DEL ARNES DE LAVADORA



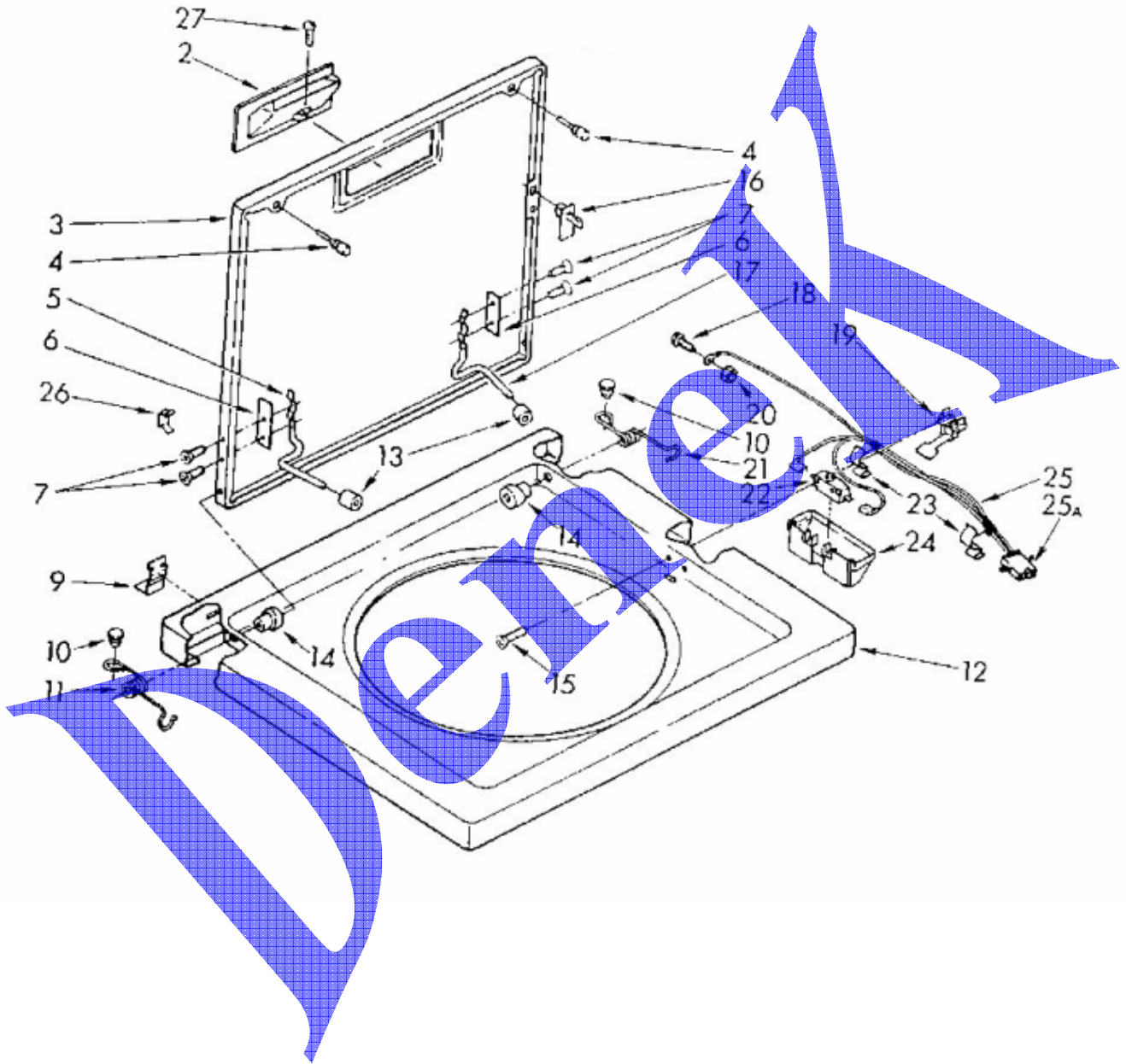
C.L. WP MOD. LT5100XSW0

SOPORTE DE SECADORA Y PARTES DEL ARNES DE LAVADORA

| NUMERO | N.DE PARTE | DESCRIPCION  |
|--------|------------|--|
| 1      | 694304     | COVER, CHANNEL   |
| 2      | 692647     | SUPPORT, DRYER (L.H.)  |
| 3      | 343641     | SCREW, 10-16 X 1/2   |
| 4      | 308544     | SCREW, 10-24 X 1/2 (8) (WASHER CABINET TO DRYER SUPPORTS)          |
| 5      | 692646     | SUPPORT, DRYER (R.H.)  |
| 6      | 3388677    | HARNES, UPPER (AUTOMATIC) (INCLUDES ILLUS. 6A, 6B & 6C)            |
| 6      | 696074     | PLUG, TERMINAL (12-WAY) (CONNECTS WITH AUTOMATIC CONSOLE HARNES)   |
| 6      | 62889      | PLUG, TERMINAL (3-WAY) (CONNECTS WITH AUTOMATIC LID SWITCH HARNES) |
| 6      | 62505      | BLOCK, DISCONNECT (CONNECTS WITH AUTOMATIC WASHER MOTOR)           |
| 7      | 693141     | CLIP, WIRING HARNES (4)  |
| 8      | 696636     | CLIP, PRESSURE SWITCH HOSE AND WIRING HARNES (3)                   |
| 10     | 9412221    | SCREW, 8-32 X 1/4 (2) (MOTOR GROUND)                               |
| 11     | 90016      | CLIP, PRESSURE SWITCH HOSE (2)                                     |
| 12     | 693141     | CLIP, HARNES   |
| 13     | 696238     | HOSE, PRESSURE SWITCH  |

## C.L. WP MOD. LT5100XSW0

## TAPA LAVADORA



**C.L. WP MOD. LT5100XSW0**

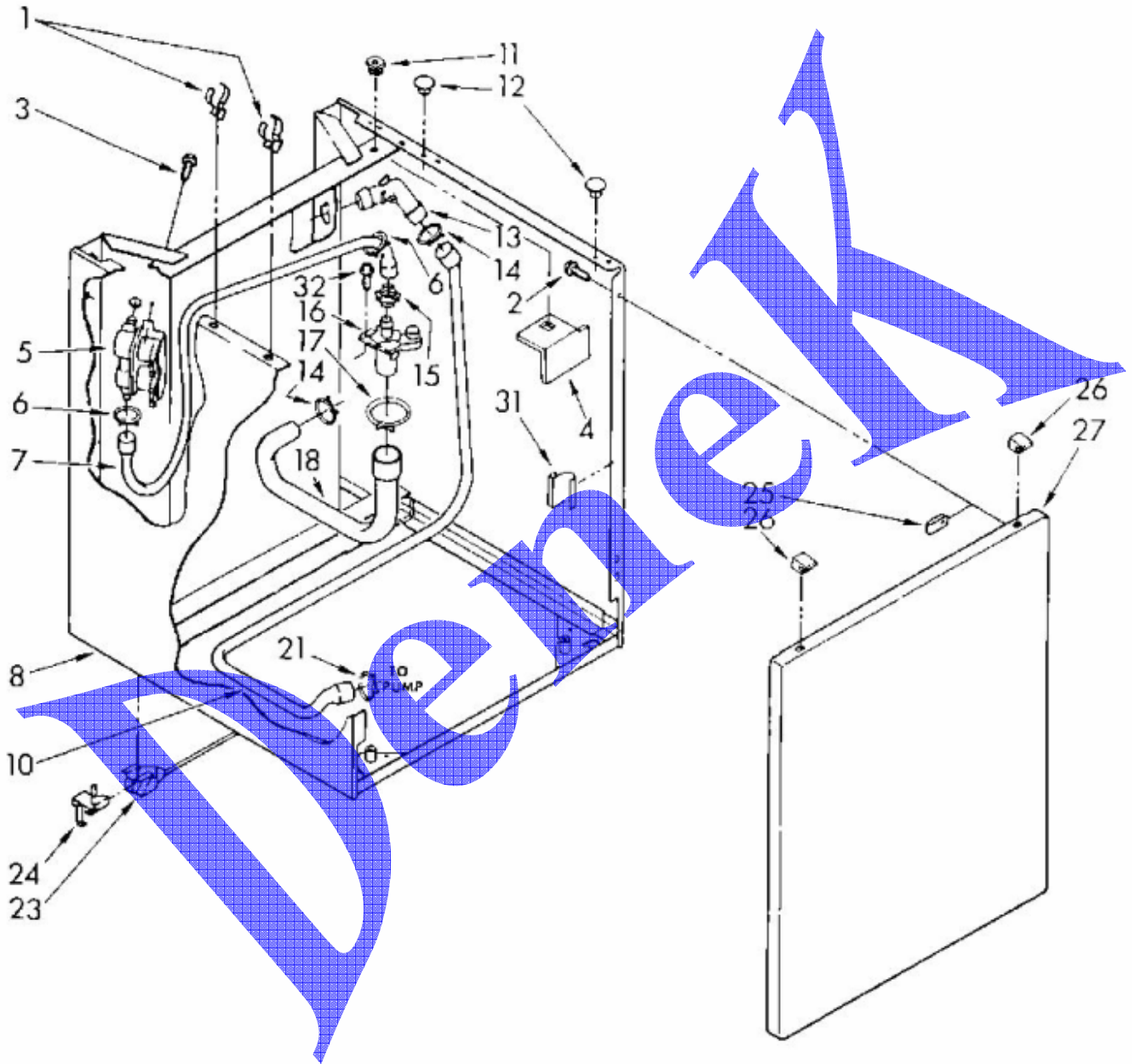
**TAPA LAVADORA**

| NUMERO | N.DE PARTE | DESCRIPCION  |
|--------|------------|--|
| 2      | 379884     | HANDLE, LID (WHITE)                                  |
| 2      | 379885     | HANDLE, LID (ALMOND)                                 |
| 2      | 379888     | HANDLE, LID (GOLDEN HARVEST)                         |
| 2      | 379890     | HANDLE, LID (TOAST)                                  |
| 2      | 379891     | HANDLE, LID (PLATINUM)                               |
| 3      | 3348018    | LID (WHITE MODEL)                                    |
| 3      | 3348019    | LID (ALMOND MODEL)                                   |
| 3      | 3348022    | LID (GOLDEN HARVEST)                                 |
| 3      | 3348021    | LID (TOAST)  |
| 3      | 3348020    | LID (PLATINUM)                                       |
| 4      | 384475     | BUMPER, LID (2)                                      |
| 5      | 384458     | HINGE, LID (L.H.)                                    |
| 6      | 21097      | PAD, LID HINGE (2)                                   |
| 7      | 18724      | SCREW, LID HINGE MOUNTING (4)                        |
| 9      | 692985     | CLIP, SPRING (2) (TOP TO CABINET)                    |
| 10     | 54690      | PLUG, BUTTON (2)                                     |
| 11     | 384460     | SPRING, LID (L.H.) (INCLUDES ILLUS 10)               |
| 12     | 384693     | TOP (WHITE)  |
| 12     | 384694     | TOP (ALMOND)   |
| 12     | 384697     | TOP (GOLDEN HARVEST)                                 |
| 12     | 384698     | TOP (TOAST)  |
| 12     | 384699     | TOP (PLATINUM)                                       |
| 13     | 19119      | BUMPER, LID HINGE (2)                                |
| 14     | 21258      | BEARING, LID HINGE (2)                               |
| 15     | 354764     | SCREW & WASHER, LID SWITCH SHIELD (2)                |
| 16     | 357913     | STRIKE, LID SWITCH                                   |
| 17     | 384459     | HINGE, LID (R.H.)                                    |
| 18     | 274707     | SCREW, GROUND (10-24 X 1/2)                          |
| 19     | 357347     | ACTUATOR, LID SWITCH                                 |
| 20     | 271166     | NUT, GROUND SCREW (10-24)                            |
| 21     | 384461     | SPRING, LID (R.H.) (INCLUDES ILLUS. 10)              |
| 22     | 661517     | SWITCH, LID  |
| 22     | 388322     | SWITCH, LID (ALT.)                                   |
| 22     | 3347287    | SWITCH, LID (ALT.)                                   |
| 22     | 359230     | SWITCH, LID (ALT.)                                   |
| 23     | 90016      | CLIP, HARNESS ROUTING                                |
| 24     | 359231     | SHIELD, LID SWITCH                                   |
| 25     | 697381     | HARNESS, LID SWITCH                                  |
| 25     | 62888      | RECEPTACLE, TERMINAL (3-WAY) (CONNECTS WITH HARNESS) |
| 26     | 297092     | CLIP   |
| 27     | 359243     | SCREW  |



## C.L. WP MOD. LT5100XSW0

## GABINETE LAVADORA



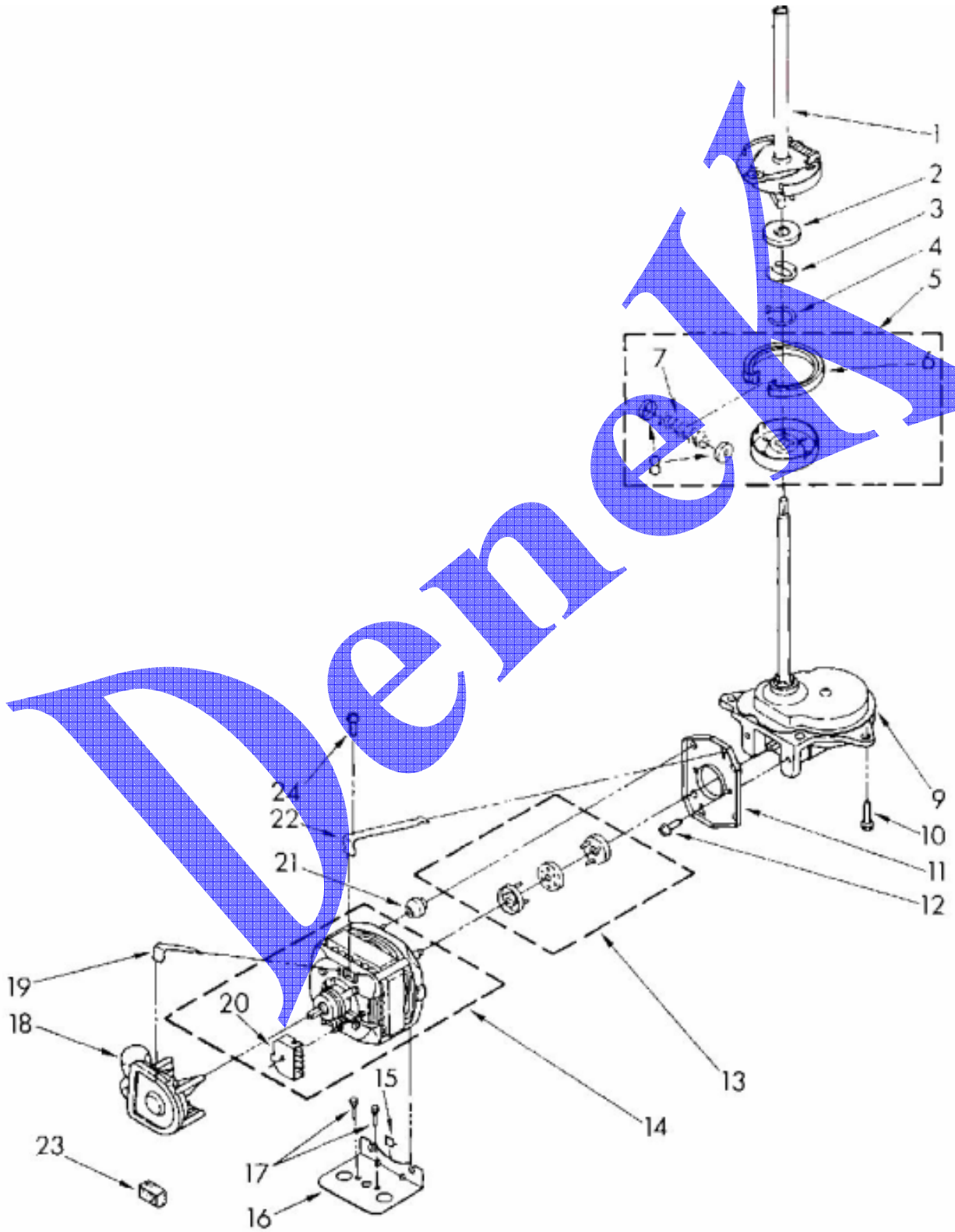
C.L. WP MOD. LT5100XSW0

GABINETE LAVADORA

| NUMERO | N.DE PARTE | DESCRIPCION                                      |
|--------|------------|--|
| 1      | 356746     | CLIP, CONDENSER (2)                              |
| 2      | 343641     | SCREW, 10-16 X 1/2                               |
| 3      | 62863      | SCREW, MIXING VALVE MOUNTING (2) (10-16 X 3/8)   |
| 4      | 3390408    | SHIELD, REAR                                     |
| 5      | 358992     | VALVE, WATER MIXING                              |
| 6      | 272846     | CLAMP, HOSE                                      |
| 7      | 692699     | HOSE, WATER INLET (SIPHON BREAK TO MIXING VALVE) |
| 8      | 696013     | CABINET (WHITE)                                  |
| 8      | 696014     | CABINET (ALMOND)                                 |
| 8      | 696015     | CABINET (GOLDEN HARVEST)                         |
| 8      | 696016     | CABINET (TOAST)                                  |
| 8      | 696017     | CABINET (PLATINUM)                               |
| 10     | 696710     | HOSE, DRAIN                                      |
| 11     | 692400     | NUT, PUSH-IN (2)                                 |
| 12     | 660975     | PLUG, TOP TO CABINET                             |
| 12     | 689587     | PLUG, TOP TO CABINET (ALT.)                      |
| 12     | 694010     | PLUG, TOP TO CABINET (ALT.)                      |
| 13     | 356739     | CONNECTOR, HOSE                                  |
| 14     | 272855     | CLAMP, HOSE                                      |
| 15     | 356471     | CAP, SIPHON BREAK                                |
| 16     | 356363     | SIPHON BREAK                                     |
| 17     | 272861     | CLAMP, HOSE                                      |
| 18     | 696394     | HOSE, WATER INLET (SIPHON BREAK TO TUB RING)     |
| 21     | 272858     | CLAMP, HOSE                                      |
| 23     | 358652     | LINK, LEVELING                                   |
| 24     | 359364     | CLIP, LEVELING MECHANISM (2)                     |
| 25     | 98234      | CLIP, GROUND                                     |
| 26     | 345670     | LOCK, TOP (2)                                    |
| 27     | 692628     | PANEL, FRONT (WHITE)                             |
| 27     | 692629     | PANEL, FRONT (ALMOND)                            |
| 27     | 692632     | PANEL, FRONT (GOLDEN HARVEST)                    |
| 27     | 692630     | PANEL, FRONT (TOAST)                             |
| 27     | 692631     | PANEL, FRONT (PLATINUM)                          |
| 31     | 694398     | PAD, EXTRUDER (2)                                |
| 32     | 64247      | SCREW  |

## C.L. WP MOD. LT5100XSW0

## BOMBA, TRANSMISION Y MOTOR



C.L. WP MOD. LT5100XSW0

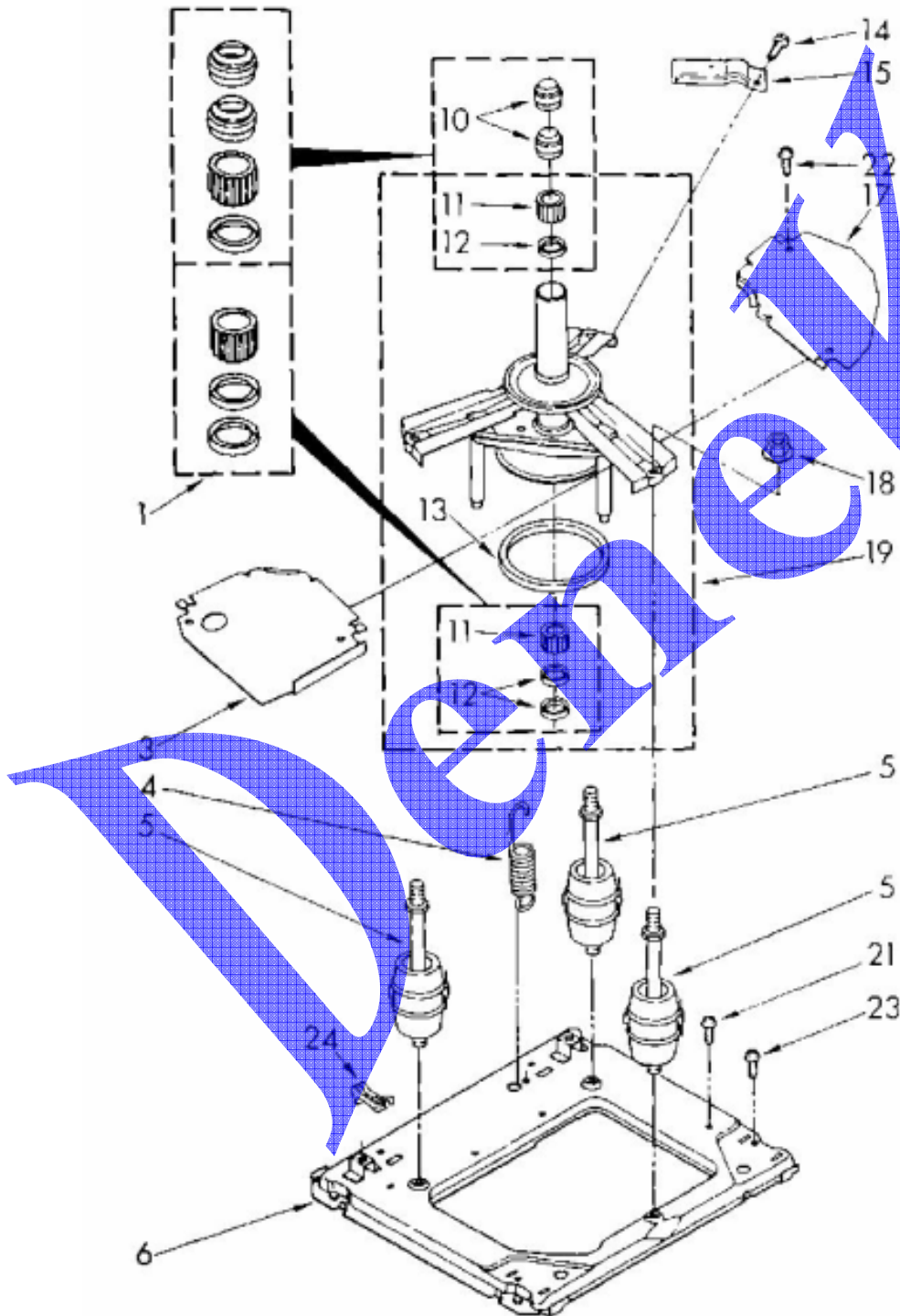
BOMBA, TRANSMISION Y MOTOR

| NUMERO | N.DE PARTE | DESCRIPCION   |
|--------|------------|---|
| 1      | 387948     | BRAKE AND DRIVE TUBE (COMPLETE)                     |
| 2      | 63292      | WASHER, SPIN TUBE THRUST                            |
| 3      | 62697      | RING, SPIN TUBE SUPPORT                             |
| 4      | 63283      | RING, RETAINER                                      |
| 5      | 64176      | CLUTCH (COMPLETE)                                   |
| 6      | 388190     | BAND AND LINING                                     |
| 7      | 64177      | SPRING, CLUTCH                                      |
| 8      | 62646      | CAP, CLUTCH SPRING (2)                              |
| 9      | 389246     | GEARCASE (COMPLETE)                                 |
| 10     | 62735      | SCREW, 5/16-24 X 3/16 (3) (GEARCASE TO TUB SUPPORT) |
| 11     | 62611      | PLATE, MOTOR MOUNT TO GEARCASE                      |
| 12     | 98062      | SCREW, 5/16-24 X 5/8 (2)                            |
| 13     | 285140     | COUPLING, MOTOR & ISOLATING                         |
| 14     | 3349644    | MOTOR, MAIN DRIVE                                   |
| 15     | 3349322    | CLIP  |
| 16     | 63761      | PLATE, MOTOR  |
| 17     | 238614     | BUMPER (2)  |
| 18     | 3348015    | PUMP, COMPLETE                                      |
| 19     | 62700      | RETAINER, PUMP                                      |
| 20     | 62850      | SWITCH, MAIN DRIVE MOTOR                            |
| 21     | 62691      | GROMMET, MOTOR (4)                                  |
| 22     | 3349637    | RETAINER, MOTOR (2)                                 |
| 23     | 3350013    | FOAM  |
| 24     | 357640     | SCREW, 10-16 X 5/8 (2)                              |



## C.L. WP MOD. LT5100XSW0

## BASE



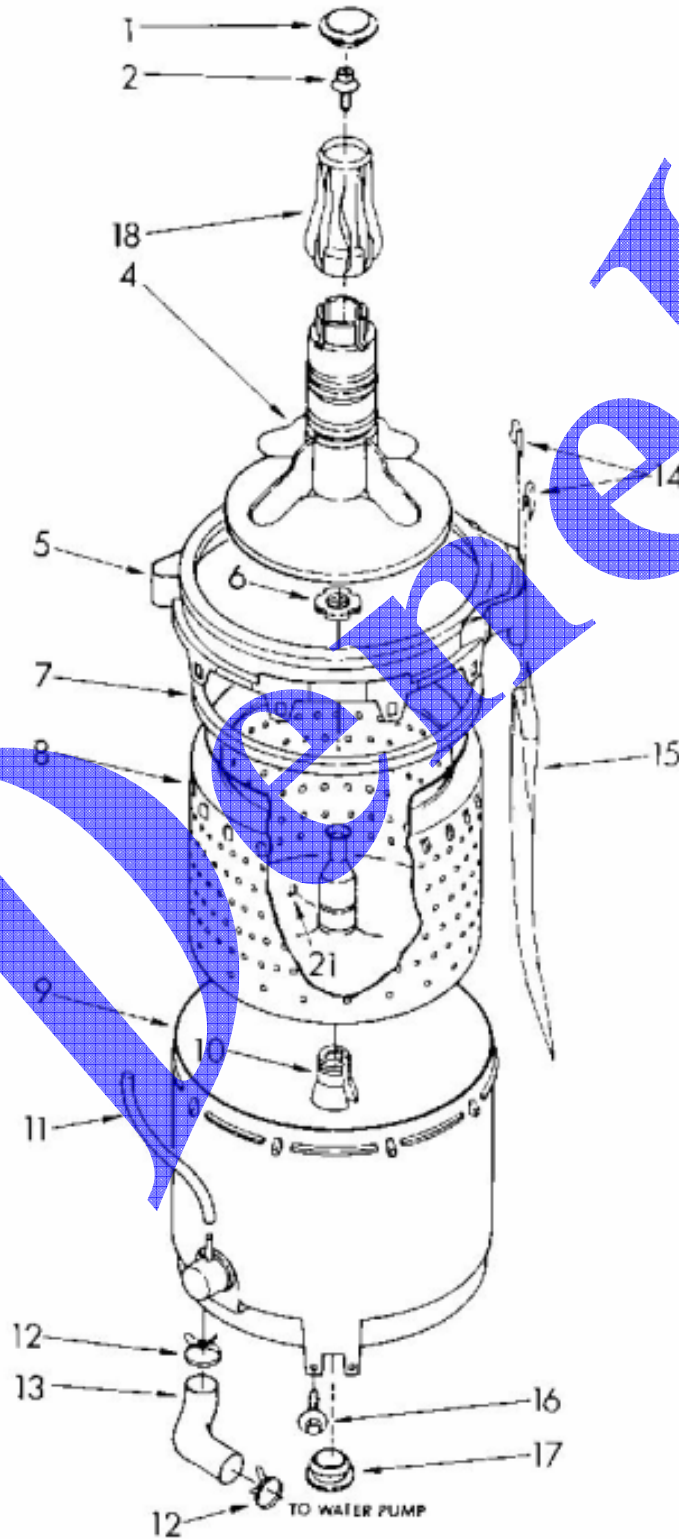
C.L. WP MOD. LT5100XSW0

BASE

| NUMERO | N.DE PARTE | DESCRIPCION   |
|--------|------------|---|
| 1      | 285203     | CENTERPOST BEARING KIT (INCLS. ILLUS. 10, 11, & 12) |
| 3      | 64137      | SHIELD, TUB   |
| 4      | 388492     | SPRING, COUNTERWEIGHT                               |
| 5      | 63721      | SUSPENSION ASSEMBLY (3)                             |
| 6      | 63755      | BASE  |
| 10     | 356934     | SEAL, CENTERPOST (2)                                |
| 11     | 3347047    | BEARING, CENTERPOST (2)                             |
| 12     | 357409     | SEAL, CENTERPOST (3)                                |
| 13     | 63134      | RING, SOUND DEADENING                               |
| 14     | 98610      | SCREW, 10-16 X 5/8 (2)                              |
| 15     | 63636      | BRACKET, COUNTERWEIGHT SPRING                       |
| 17     | 63637      | SHIELD, TUB   |
| 18     | 3347149    | NUT, 1/2 - 13 (1)                                   |
| 19     | 63740      | TUB SUPPORT AND DRUM                                |
| 21     | 690989     | SCREW, 10-32 X 1/2 (GROUNDING)                      |
| 22     | 90767      | SCREW, 8A X 3/8 (4)                                 |
| 23     | 386011     | SCREW & WASHER (BASE TO CABINET)                    |
| 24     | 696044     | BLOCK, RESTRAINT (2)                                |

## C.L. WP MOD. LT5100XSW0

## TINA Y CANASTA



C.L. WP MOD. LT5100XSW0

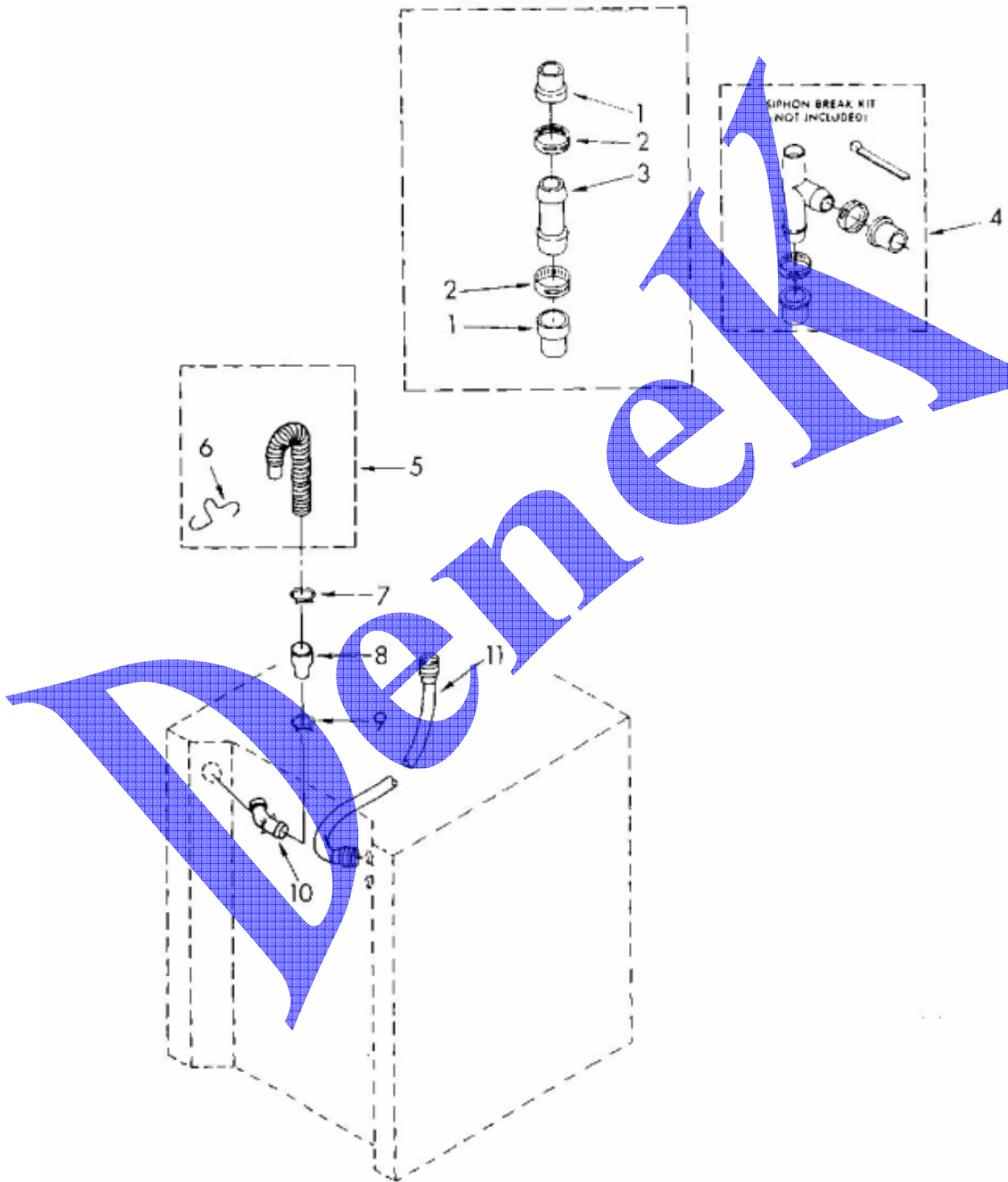
TINA Y CANASTA

| NUMERO | N.DE PARTE | DESCRIPCION                                    |
|--------|------------|--|
| 1      | 63911      | CAP, AGITATOR                                  |
| 2      | 358237     | SCREW & WASHER (5/16-24 X 1)                   |
| 4      | 3349098    | AGITATOR                                       |
| 5      | 64175      | TUB RING & GASKET (INCLUDES ILLUS. 7, 14 & 15) |
| 6      | 21366      | NUT, SPANNER                                   |
| 7      | 64000      | GASKET, TUB RING                               |
| 8      | 64081      | BASKET   |
| 9      | 63782      | TUB  |
| 10     | 389140     | BLOCK, BASKET DRIVE                            |
| 11     | 696238     | HOSE, PRESSURE SWITCH                          |
| 12     | 371502     | CLAMP, HOSE                                    |
| 13     | 386929     | HOSE, TUB TO PUMP                              |
| 14     | 352155     | CLIP, RETAINING (2)                            |
| 15     | 356398     | TUBE, DRAIN OFF                                |
| 16     | 98005      | SCREW & WASHER (TUB MOUNTING) (4)              |
| 17     | 383727     | GASKET, CENTER POST                            |
| 18     | 63840      | FILTER   |
| 21     | 21265      | STOPPER (4)                                    |



## C.L. WP MOD. LT5100XSW0

## MANGUERAS



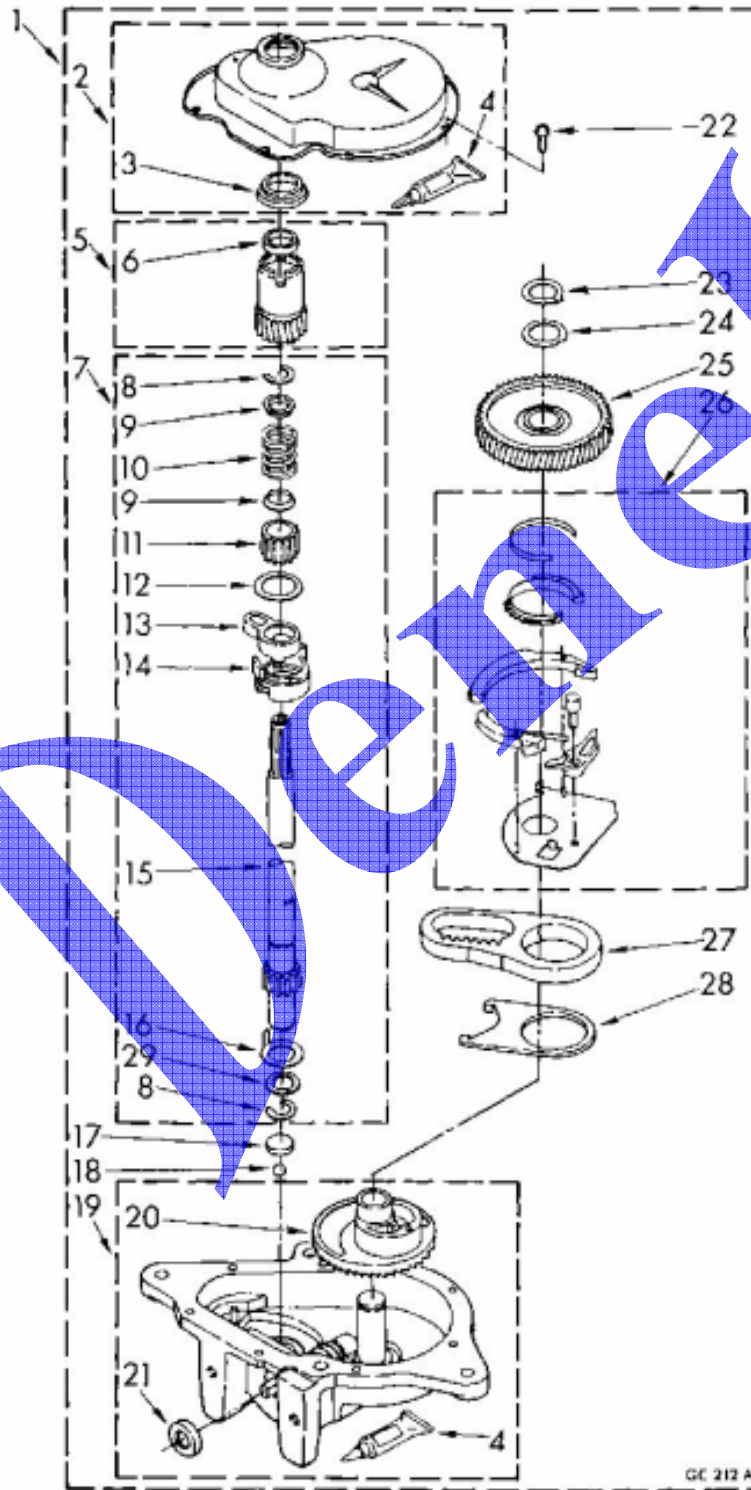
C.L. WP MOD. LT5100XSW0

MANGUERAS

| NUMERO | N.DE PARTE | DESCRIPCION                                |
|--------|------------|--|
| 1      | 285321     | SLEEVE KIT, PLASTIC DRAIN HOSE             |
| 2      | 65349      | CLAMP, HOSE (2)                            |
| 3      | 16272      | CONNECTOR, STRAIGHT                        |
| 4      | 285320     | SIPHON BREAK KIT (NOT INCLUDED)            |
| 5      | 387325     | HOSE, CORRUGATED PLASTIC DRAIN (5-1/2 FT.) |
| 5      | 388418     | HOSE, CORRUGATED PLASTIC DRAIN (10 FT.)    |
| 6      | 357247     | RETAINER, DRAIN HOSE                       |
| 7      | 371504     | CLAMP, HOSE                                |
| 8      | 384496     | COUPLING, HOSE                             |
| 9      | 370445     | CLAMP, HOSE                                |
| 10     | 356739     | CONNECTOR, HOSE                            |
| 11     | 660028     | HOSE, INLET (2)                            |
| 11     | 81339      | HOSE, INLET (2) (ALT.)                     |
| 11     | 366108     | HOSE, INLET (2) (ALT.)                     |

## C.L. WP MOD. LT5100XSW0

## TRANSMISION



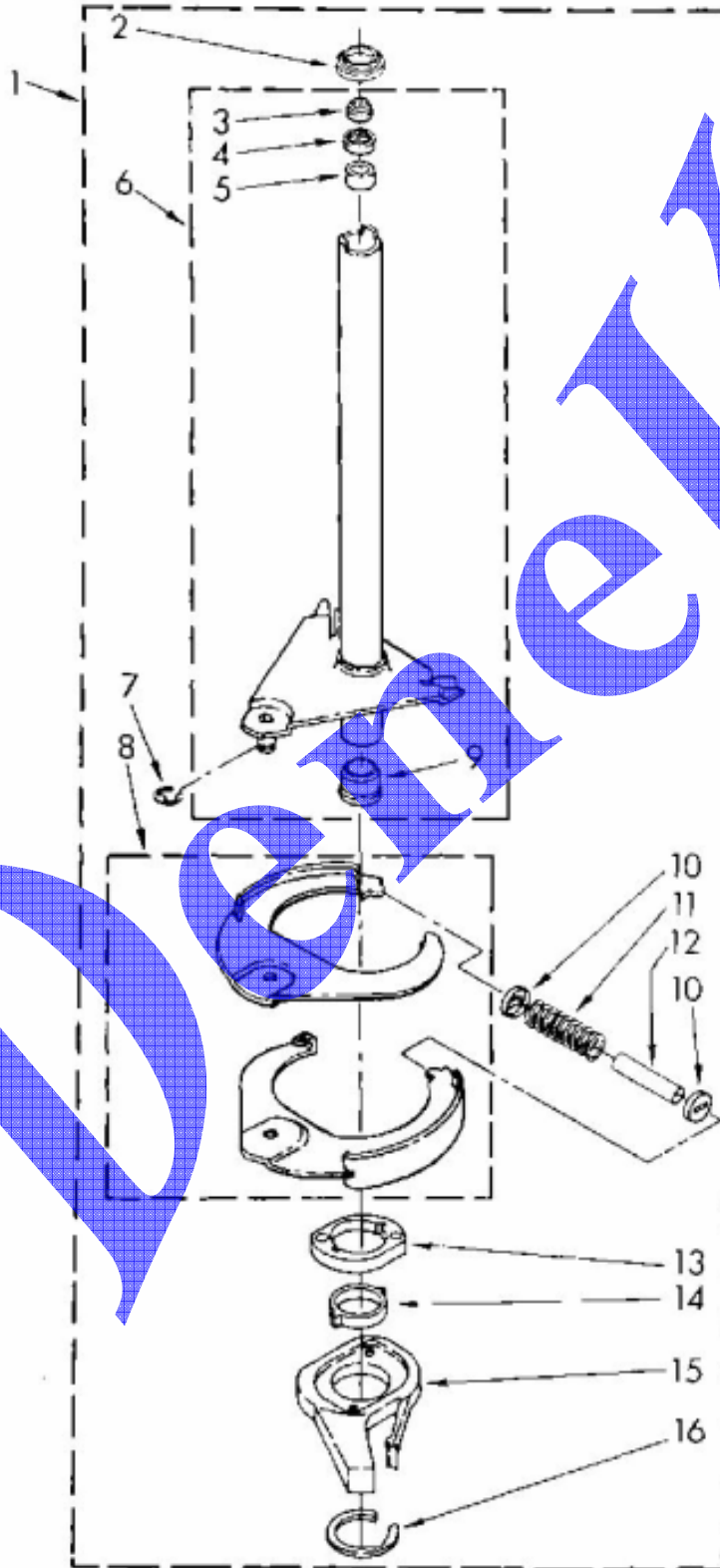
C.L. WP MOD. LT5100XSW0

TRANSMISION

| NUMERO | N.DE PARTE | DESCRIPCION                          |
|--------|------------|--------------------------------------|
| 1      | 389246     | GEARCASE (COMPLETE)                  |
| 2      | 62685      | COVER, GEARCASE                      |
| 3      | 3347188    | SEAL, GEARCASE COVER                 |
| 4      | 285195     | SEALER, GASKET (.20 FL. OZ.) (6 ML.) |
| 5      | 63320      | PINION, SPIN (INCLUDES ILLUS. 25)    |
| 6      | 356427     | SEAL, SPIN PINION                    |
| 7      | 389387     | SHAFT, AGITATOR (COMPLETE)           |
| 8      | 90369      | RING, RETAINING (2)                  |
| 9      | 62677      | RETAINER, SPRING                     |
| 10     | 62676      | SPRING, AGITATOR                     |
| 11     | 63273      | GEAR, AGITATOR                       |
| 12     | 62619      | WASHER, AGITATOR GEAR                |
| 13     | 62580      | FOLLOWER, CAM                        |
| 14     | 62581      | CAM, AGITATOR                        |
| 15     | 389231     | SHAFT, AGITATOR                      |
| 16     | 62618      | WASHER, CAM THRUST                   |
| 17     | 16018      | BEARING, THRUST                      |
| 18     | 85529      | BALL, BEARING                        |
| 19     | 389229     | BOTTOM AND PINION, GEARCASE          |
| 20     | 62528      | GEAR, MAIN DRIVE                     |
| 21     | 285352     | SEAL, THRUST PLUG                    |
| 22     | 90864      | SCREW, GEARCASE COVER MOUNTING (8)   |
| 23     | 95082      | RING, RETAINING                      |
| 24     | 285292     | WASHER KIT, THRUST                   |
| 25     | 62570      | GEAR, SPIN                           |
| 26     | 388253     | NEUTRAL ASSEMBLY                     |
| 27     | 62534      | RACK, CONNECTING                     |
| 28     | 62621      | ACTUATOR, SHIFT                      |
| 29     | 388815     | WASHER, INTERMEDIATE                 |

## C.L. WP MOD. LT5100XSW0

## FLECHA HUECA





C.L. WP MOD. LT5100XSW0

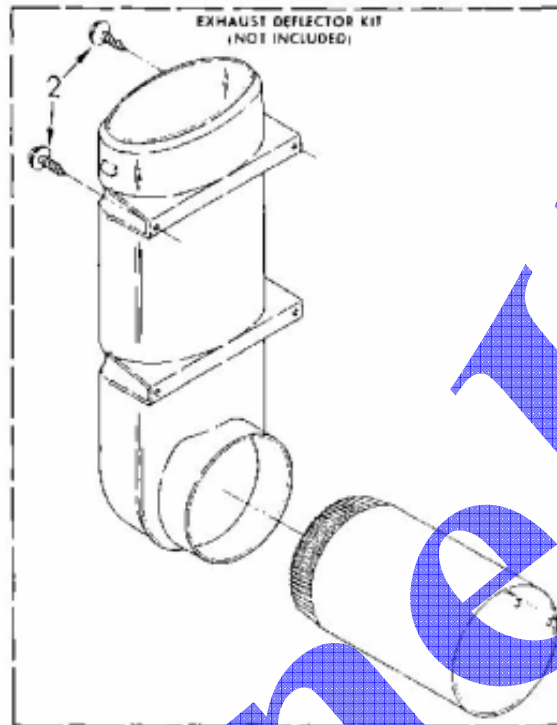
FLECHA HUECA

| NUMERO | N.DE PARTE | DESCRIPCION                     |
|--------|------------|---------------------------------|
| 1      | 387948     | BRAKE AND DRIVE TUBE (COMPLETE) |
| 2      | 62658      | RING, THRUST                    |
| 3      | 91939      | SEAL. OIL                       |
| 4      | 356427     | SEAL, DRIVE TUBE                |
| 5      | 356937     | SPACER, DRIVE TUBE              |
| 6      | 64027      | TUBE, BASKET DRIVE              |
| 7      | 64035      | RING, RETAINING                 |
| 8      | 64232      | SHOE, BRAKE                     |
| 9      | 62703      | "T" BEARING, SPIN TUBE          |
| 10     | 62648      | CAP, BRAKE SPRING (2)           |
| 11     | 63748      | SPRING, BRAKE                   |
| 12     | 62909      | SLEEVE, BRAKE SPRING            |
| 13     | 661516     | CAM, BRAKE RELEASE              |
| 13     | 63023      | CAM, BRAKE RELEASE (ALT.)       |
| 13     | 3348288    | CAM, BRAKE RELEASE (ALT.)       |
| 14     | 63022      | SLEEVE, CAM                     |
| 15     | 64194      | DRIVER, BRAKE CAM               |
| 16     | 90368      | RING, RETAINING                 |

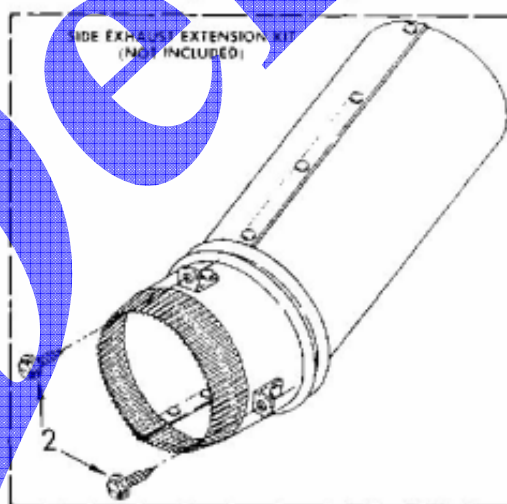
C.L. WP MOD. LT5100XSW0

CONECTORES

## LCK 4500



## LCK 4600



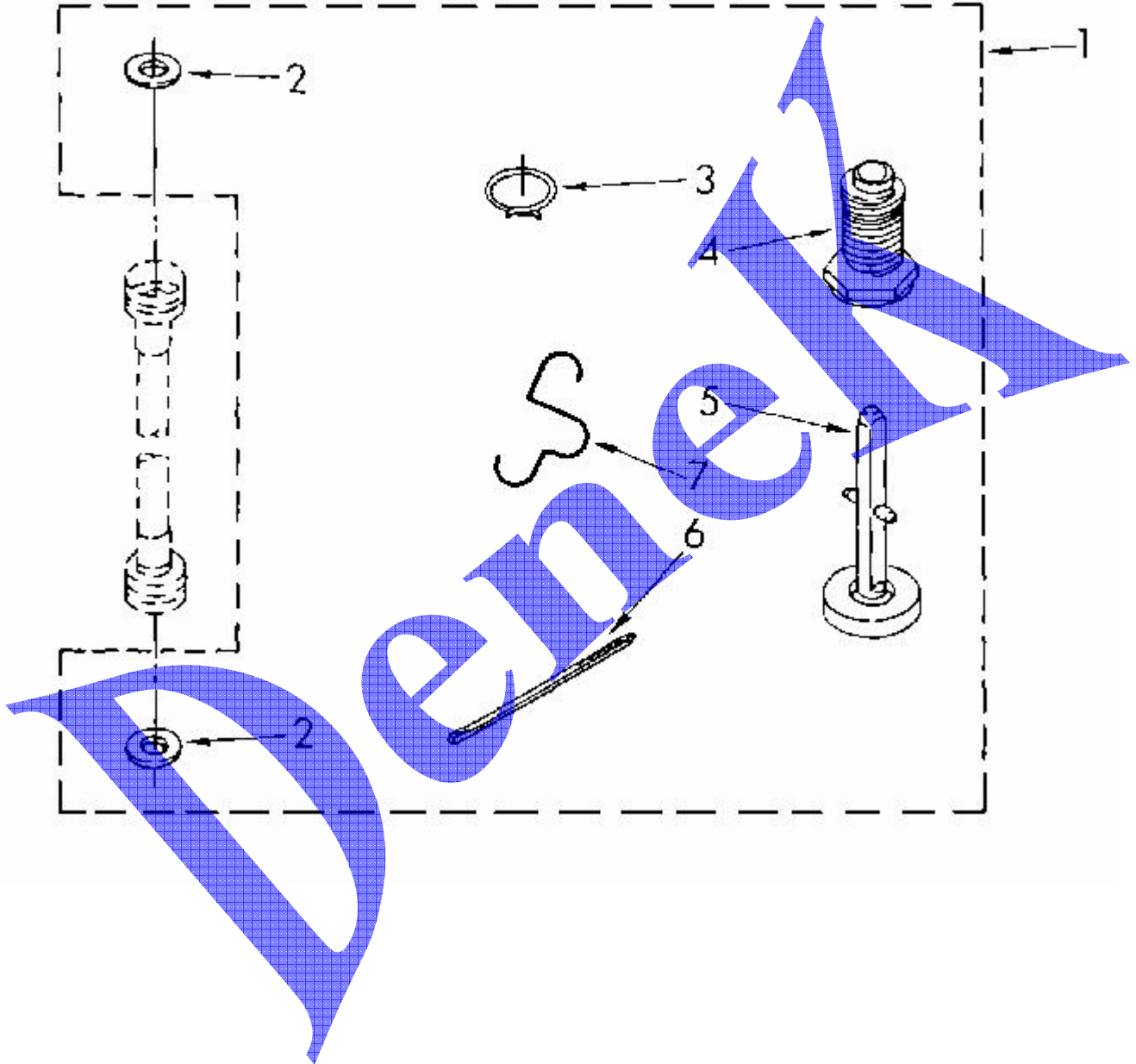
C.L. WP MOD. LT5100XSW0

CONECTORES

| NUMERO | N.DE PARTE | DESCRIPCION   |
|--------|------------|---|
| 1      | 694609     | EXHAUST DEFLECTOR KIT (COMPLETE)                    |
| 2      | 687128     | SCREW, MOUNTING (2) (10-16 X 1/2) (HEX WASHER HEAD) |
| 1      | 694646     | SIDE EXHAUST EXTENSION KIT (COMPLETE)               |
| 2      | 687128     | SCREW, 10-16 X 1/2(3) (HEX WASHER HEAD)             |

## C.L. WP MOD. LT5100XSW0

## PATAS



C.L. WP MOD. LT5100XSWO

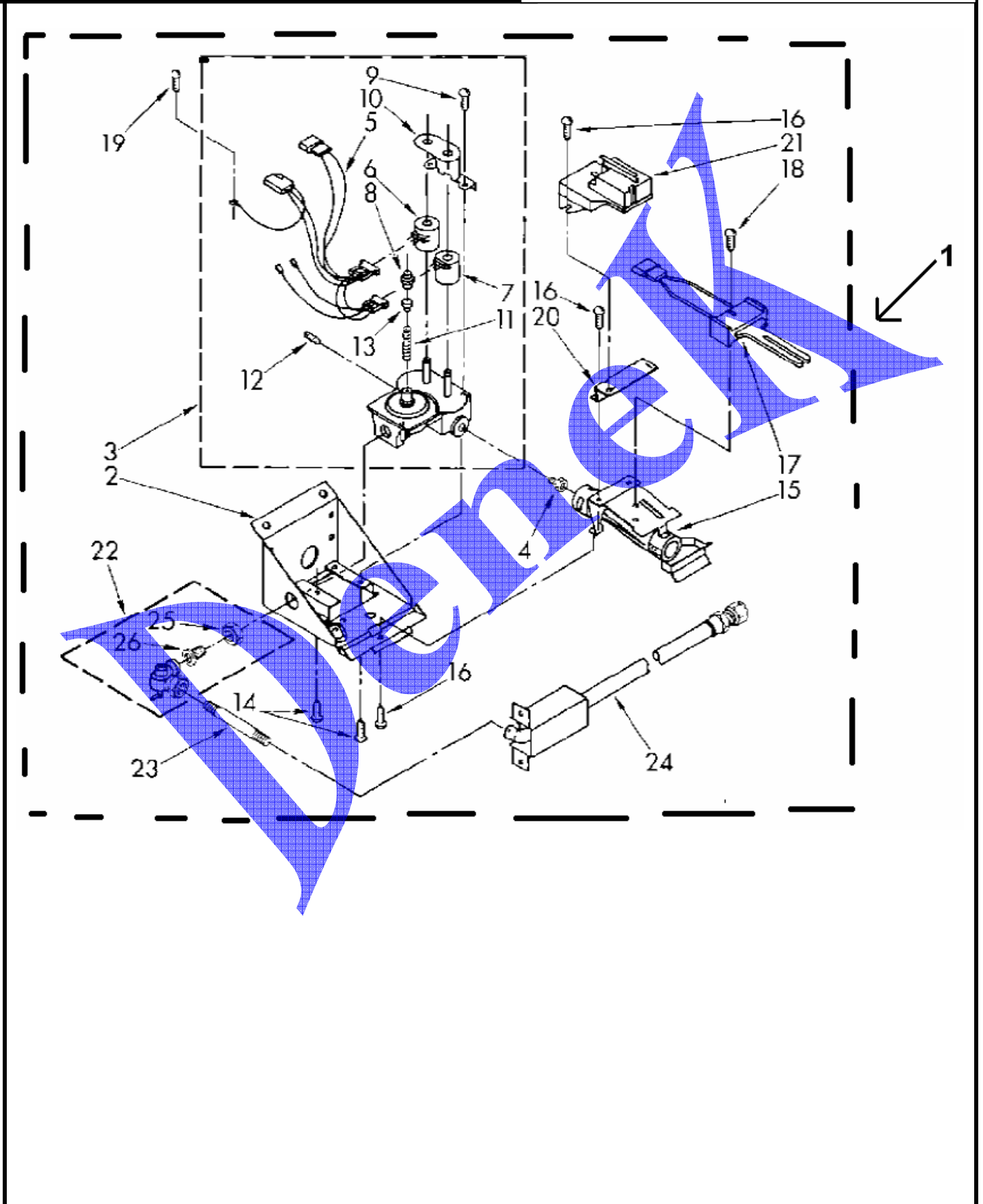
PATAS

| NUMERO | N.DE PARTE | DESCRIPCION   |
|--------|------------|---|
| 1      | 692893     | Miscellaneous Parts Bag                                     |
| 2      | 16123      | Washer, Water Inlet Hose (4) 1-1/16 x 5/8                   |
| 3      | 370445     | Clamp, Hose   |
| 4      | 367594     | Foot, Front (2)   |
| 5      | 358594     | Foot, Rear (2)  |
| 6      | 3347868    | Cable Tie   |
| 7      | 357247     | Retainer, Drain Hose  |
|        | 72107      | Brush Touch-Up Kit (Almond)                                 |
|        | 285366     | Paint, Spray 13 Oz. (Platinum)                              |
|        | 350941     | Leveler (Thinner)   |
|        | 72112      | paint, touch-up 1/2 oz. (toast)                             |
|        | LIT697086  | Instructions, Installation                                  |
|        | LIT3390549 | Guide, Laundry  |
|        | LIT693124  | List, Repair Parts  |
|        | 72017      | PAINT, TOUCH-UP (1/2oz.) (White)                            |
|        | 72113      | paint, touch-up 1/2 oz. (platinum)                          |
|        | 285367     | Toast (Uncut)   |
|        | 350572     | Oil, Gearcase (16 Oz.)                                      |
|        | 72110      | paint, touch-up 1/2 oz. (harvest gold)                      |
|        | 261890     | Paint, Spray 13 Oz. (Harvest Gold)                          |
|        | 261891     | Enamel, Golden Harvest (1 Qt. Uncut)                        |
|        | 350938     | PAINT, PRESSURIZED SPRAY (12 oz.) (Primer, Gray)            |
|        | 799344     | PAINT, BULK (1 qt.) (White (Uncut))                         |
|        | 285195     | Sealer, Gasket (.20 Fl. Oz.) (6 ml)                         |
|        | 350956     | Enamel, Almond (13 Oz. Spray Can)                           |
|        | 285208     | Lubricant (Use Only In Brake Shoe Assembly On Roller & Pin) |
|        | 350930     | PAINT, PRESSURIZED SPRAY (12 oz.) (White)                   |
|        | 285368     | Platinum (Uncut)  |
|        | 978883     | Enamel, Almond (1 Qt. Uncut)                                |
|        | LIT697546  | Wiring Diagram  |
|        | LIT3388935 | Guide, Use & Care   |
|        | 285365     | Paint, Spray 13 Oz. (Toast)                                 |



## C.L. WP MOD. LT5100XSW0

## QUEMADOR



C.L. WP MOD. LT5100XSW0

QUEMADOR

| NUMERO | N.DE PARTE | DESCRIPCION  |
|--------|------------|--|
| 1      | 697436     | Burner Assembly 60 Hz.                                   |
| 2      | 697408     | Base, Burner   |
| 3      | 694498     | Valve, 60 Hz.  |
| 4      | 347744     | Orifice (L.P. Gas)                                       |
| 4      | 234822     | Orifice (Natural Gas)                                    |
| 5      | 697807     | Harness  |
| 6      | 694539     | Coil, 60 Hz. (Split) (3 Terminal) (Pilot Position)       |
| 7      | 694540     | Coil, 60 Hz. (2 Terminal) (Main)                         |
| 8      | 694424     | Leak, Limiter  |
| 9      | 694421     | Screw, 8-32 x 1/2 (2)                                    |
| 10     | 694538     | Bracket, Coil  |
| 11     | 694422     | Spring, Regulator  |
| 12     | 239822     | Plug, Pipe   |
| 13     | 694423     | Screw, Regulator Adjustment                              |
| 14     | 339527     | Screw, 8-32 x 3/8 (2)                                    |
| 15     | 697361     | Burner   |
| 16     | 3348629    | Screw No.8 (3)   |
| 17     | 660991     | Ignitor  |
| 18     | 686593     | Screw and Washer 8-32 x 1                                |
| 19     | 342202     | Screw, 10-16 X 1/4                                       |
| 20     | 697409     | Bracket, Sensor  |
| 21     | 338906     | Sensor, Radiant  |
| 22     | 697441     | Valve & Union Shut-Off                                   |
| 23     | 3388638    | Nipple, Short  |
| 24     | 3391118    | Supply Line (Gas)  |
| 25     | 233076     | Nut, Compression   |
| 26     | 233077     | Pipe, Tail   |
| 26     | 694580     | Conversion Kit (Type 1, 2 & 3) to Type (4) L.P.G.        |
| 26     | 279243     | Conversion Kit Type (1) Natural to Type (3) Manufactured |