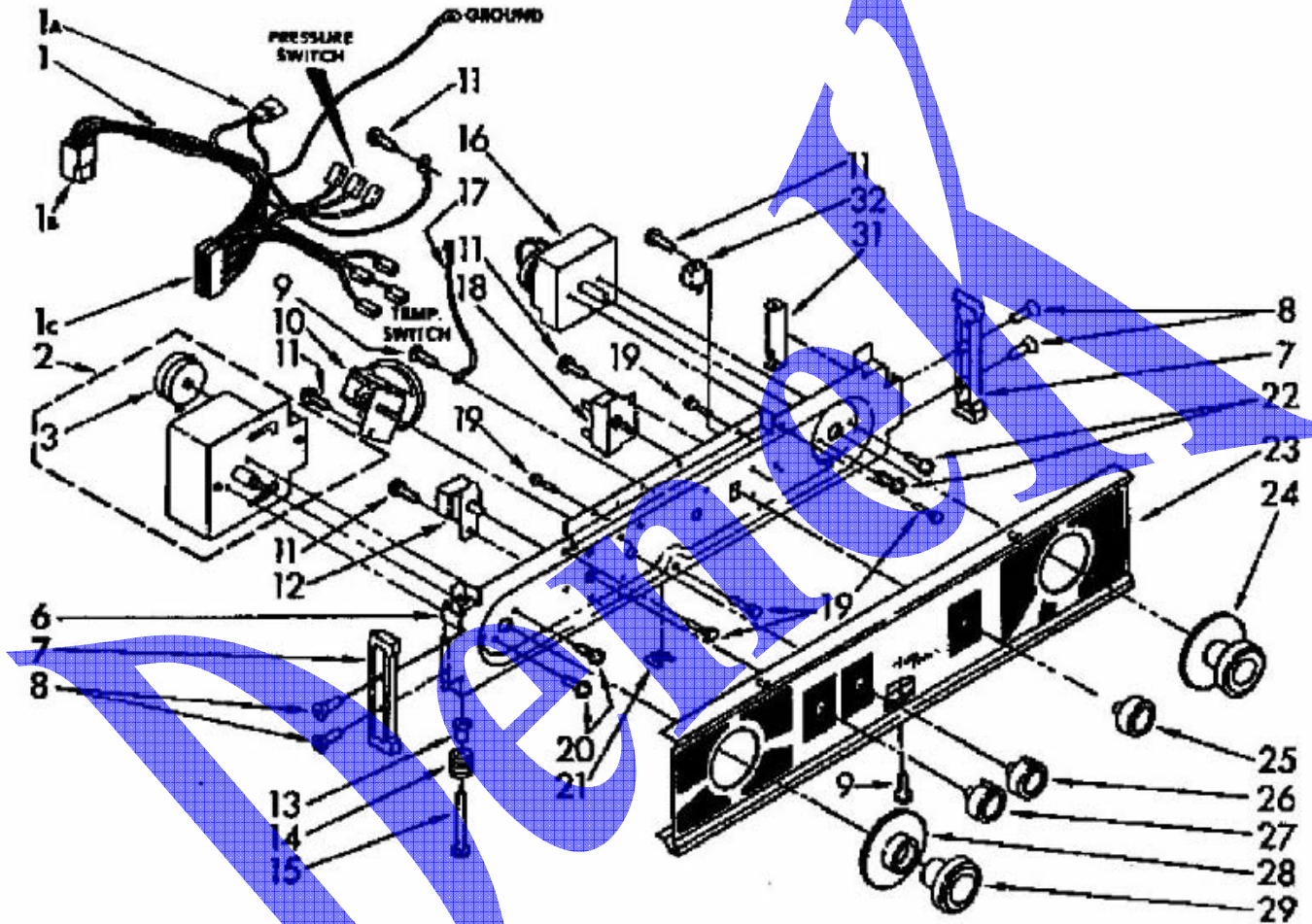


## CENTRO DE LAVADO WP MOD. LT5100XVNO

## PANEL DE CONTROL



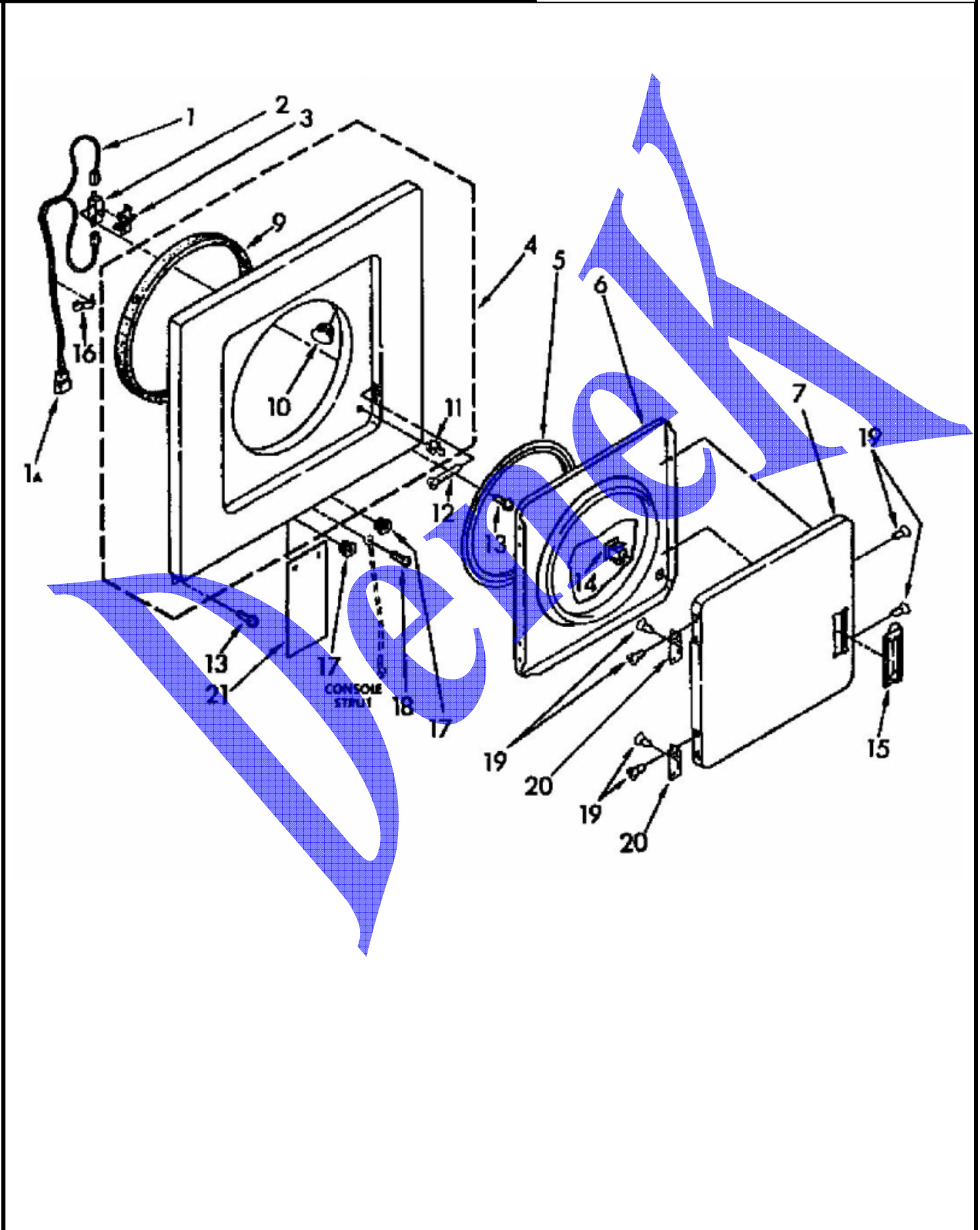
**CENTRO DE LAVADO WP MOD. LT5100XVN0**

**PANEL DE CONTROL**

NUMERO	N.DE PARTE	DESCRIPCION
1	3387713	HARNISS, CONSOLE WIRING (AUTOMATIC)
1	342529	PLUG, TERMINAL (2-WAY) (CONNECTS WITH MAIN DRYER HARNISS)
1	696073	RECEPTACLE, CONNECTOR (CONNECTS WITH LOWER AUTOMATIC HARNISS)
1	352089	DISCONNECT BLOCK (CONNECTS WITH AUTOMATIC TIMER)
2	3347890	TIMER, CONTROL (60 HZ.) (AUTOMATIC WASHER)
3	63491	MOTOR, TIMER (60 HZ.)
6	694338	BRACKET, CONTROL
7	692993	END CAP, CONSOLE (L.H. & R.H.)
8	348689	SCREW, END CAP MOUNTING (4) (6-32 X 3/4)
9	694091	SCREW, MOUNTING (2) NO.8 POSIDRIVE
10	64093	SWITCH, WATER LEVEL
11	342202	SCREW, TAPPING (6)
12	660393	SWITCH, WATER TEMPERATURE
12	370145	SWITCH, WATER TEMPERATURE (ALT.)
12	370146	SWITCH, WATER TEMPERATURE (ALT.)
13	693711	SLEEVE, CONSOLE LOCK SCREW (2)
14	693151	SPRING, CONSOLE LOCK (2)
15	693710	SCREW, CONSOLE LOCK (2)
16	3388255	TIMER, CONTROL (60 HZ.) (DRYER) (TIMER MOTOR NOT SERVICEABLE)
17	693175	STRUT, CONSOLE
18	693169	SWITCH, PUSH-TO-START
19	693152	BUMPER, CONSOLE (5)
20	96435	SCREW, TIMER MOUNTING (2)
21	694037	CLIP, CONSOLE
22	98139	SCREW, DRYER TIMER MOUNTING (2) (8-32 X 5/16)
23	3389301	PANEL, CONTROL
24	3392730	KNOB & SKIRT, DRYER TIMER
25	3392692	BUTTON, PUSH-TO-START
26	696347	KNOB & CLIP, WATER LEVEL
27	696347	KNOB & CLIP, WATER TEMP.
28	3388185	DIAL, TIMER
29	3392698	KNOB, TIMER
31	692983	LOCK, CONSOLE (2)
32	694419	BUZZER

## CENTRO DE LAVADO WP MOD. LT5100XVN0

## PUERTA



**CENTRO DE LAVADO WP MOD. LT5100XVN0**

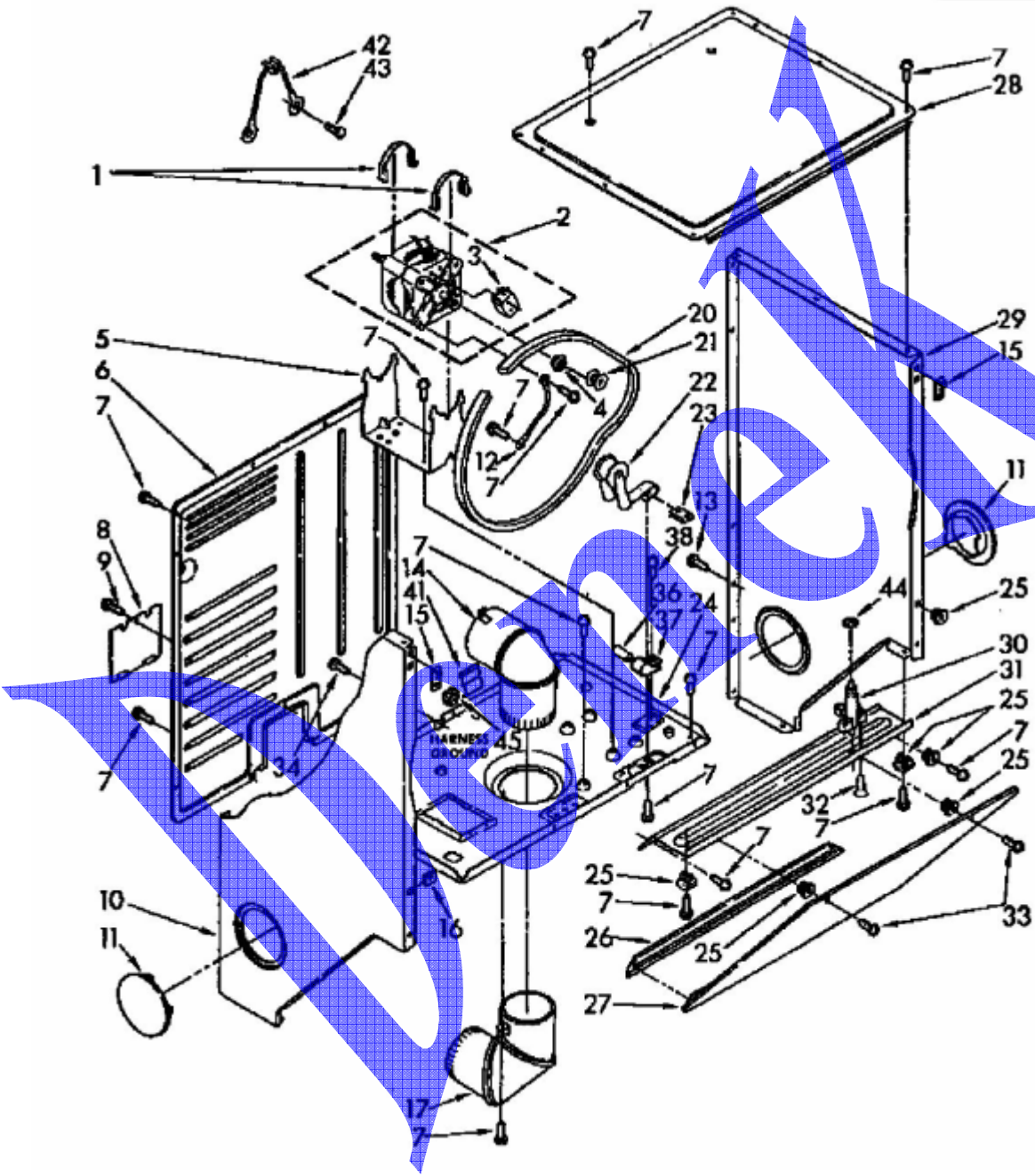
**PUERTA**

NUMERO	N.DE PARTE	DESCRIPCION
1	692728	HARNES, DOOR SWITCH
1	717253	PLUG, TERMINAL (2-WAY) (CONNECTS WITH MAIN DRYER HARNES)
2	347207	SWITCH, DOOR
3	295998	LEVER, DOOR SWITCH
4	692619	PANEL, FRONT (WHITE)
4	692620	PANEL, FRONT (ALMOND)
5	685763	SEAL, DOOR
6	695656	DOOR, REAR
7	348205	DOOR, FRONT (WHITE)
7	689314	DOOR, FRONT (ALMOND)
9	349462	BEARING & SEAL
10	685203	CLIP, FELT PAD (2)
11	696144	STRIKE, PANEL
12	98129	SCREW, DOOR SWITCH MOUNTING (2)
12		SCREW, 10-16 X 1/2 (2) (FRONT PANEL TO SIDE PANEL)
13	343641	PANEL
14	3389441	CATCH, DOOR
15	686711	HANDLE, DOOR (WHITE)
15	689308	HANDLE, DOOR (ALMOND)
16	692846	SUPPORT PROTECTOR
17	693739	FASTENER, PUSH (2)
18	339554	SCREW, CONSOLE STRUT MOUNTING
19	694091	SCREW, DOOR MOUNT TO HINGE & PANEL (10)
20	348023	HINGE & PIN, DOOR (2)
21	693303	BARRIER, HARNES



## CENTRO DE LAVADO WP MOD. LT5100XVN0

## MOTOR Y GABINETE DEL SECADO



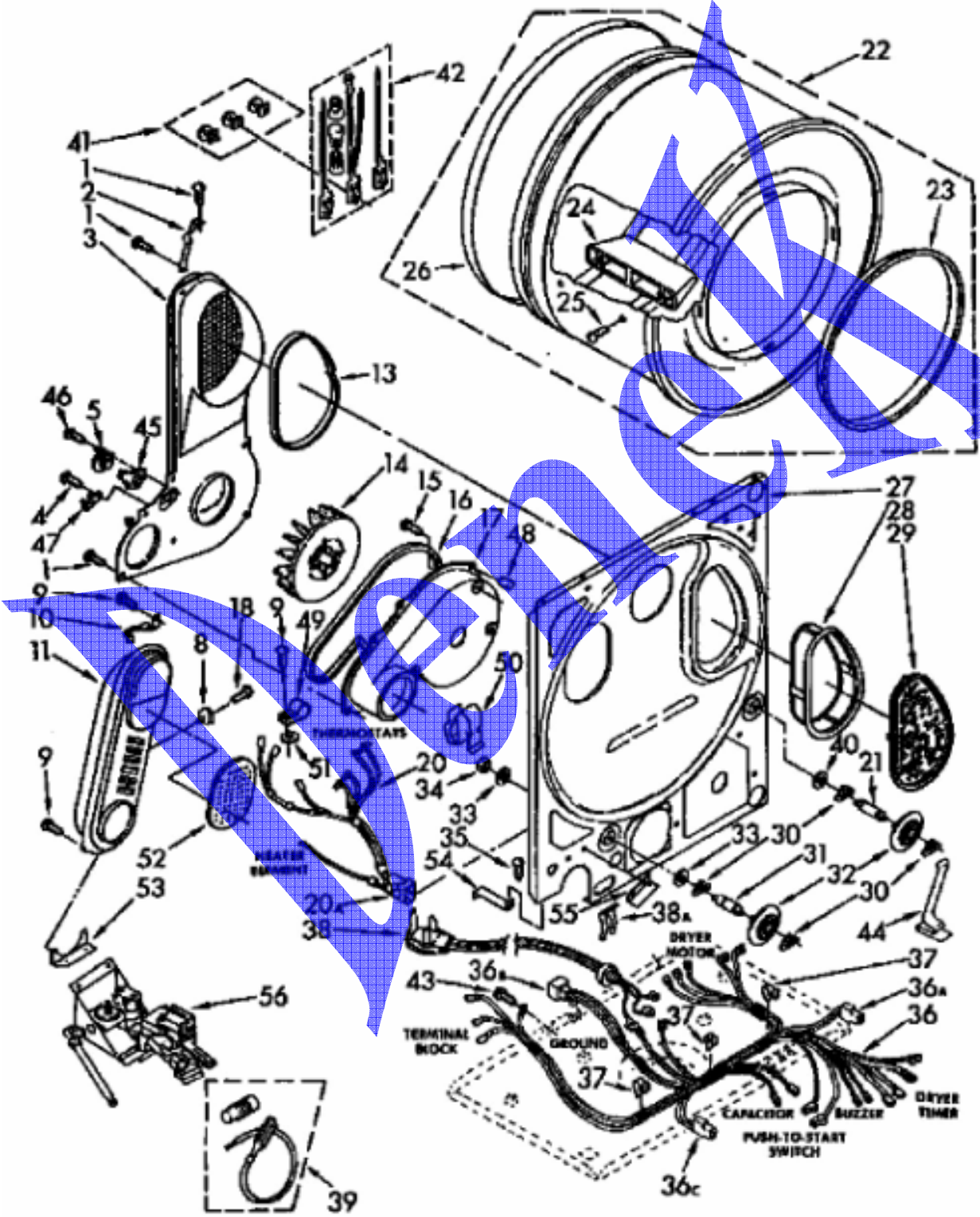
**CENTRO DE LAVADO WP MOD. LT5100XVN0**

**MOTOR Y GABINETE DEL SECADO**

NUMERO	N.DE PARTE	DESCRIPCION
1	660658	CLAMP, MOTOR MOUNTING (2)
1	343481	CLAMP, MOTOR MOUNTING (2) (ALT.)
1	685441	CLAMP, MOTOR MOUNTING (2) (ALT.)
2	3391887	MOTOR, MAIN DRIVE (60 HZ.)
3	3388235	SWITCH, MOTOR START
4	3393657	RESTRAINER, BELT
5	696541	BRACKET, MOTOR
6	3390405	PANEL, REAR
7	343641	SCREW, 10-16 X 1/2
8	307972	COVER, TERMINAL BLOCK
9	687128	SCREW, 10-16 X 1/2
10	692613	PANEL, SIDE (L.H.) (WHITE)
10	692614	PANEL, SIDE (L.H.) (ALMOND)
11	692790	PLUG, SIDE PANEL (2) (WHITE)
11	692791	PLUG, SIDE PANEL (2) (ALMOND)
12	687261	WIRE, MOTOR GROUND
13	308544	SCREW, 10-24 X 1/2 (8) (MOUNTS DRYER TO DRYER SUPPORTS)
14	695524	ELBOW, UPPER
15	237823	CLIP, FRONT PANEL (2)
16	98234	CLIP, GROUND
17	696045	ELBOW, LOWER
20	345675	BELT, DRIVE
21	3389729	PULLEY, MOTOR (60 HZ.)
22	691366	IDLER & BRACKET
23	692771	NUT, IDLER BRACKET TO BASE
24	697410	BASE, DRYER
25	692400	NUT, PUSH-IN
26	692926	COVE, TRANSITION PANEL (BLACK)
27	692933	PANEL, TRANSITION (WHITE)
27	692934	PANEL, TRANSITION (ALMOND)
28	692641	TOP, DRYER
29	692607	PANEL, SIDE (R.H.) (WHITE)
29	692608	PANEL, SIDE (R.H.) (ALMOND)
30	693145	LATCH, LID
31	692781	CLOSURE, CONTROL AREA (WHITE)
32	354975	SCREW & WASHER (3) (LID LATCH MOUNTING)
33	693304	SCREW & WASHER (2) (TRANSITION PANEL TO CLOSURE)
34	690989	SCREW, GROUND (2) (10-32 X 1/2)
36	357021	CAPACITOR, MOTOR START (AUTOMATIC WASHER)
37	357030	CLAMP, CAPACITOR
38	343641	SCREW, CAPACITOR MOUNTING (10-16 X 1/2)
41	686770	EDGE, PROTECTOR
42	3388580	CABLE
43	343641	SCREW, 10-16 X 1/2 (2)
44	90296	CLIP
45	697438	CLIP (2)

## CENTRO DE LAVADO WP MOD. LT5100XVN0

## TAMBOR DE SECADO





## CENTRO DE LAVADO WP MOD. LT5100XVN0

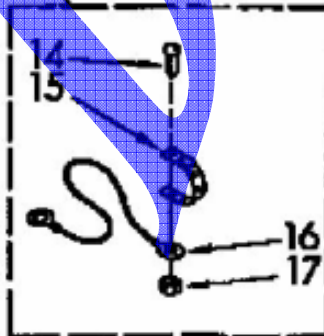
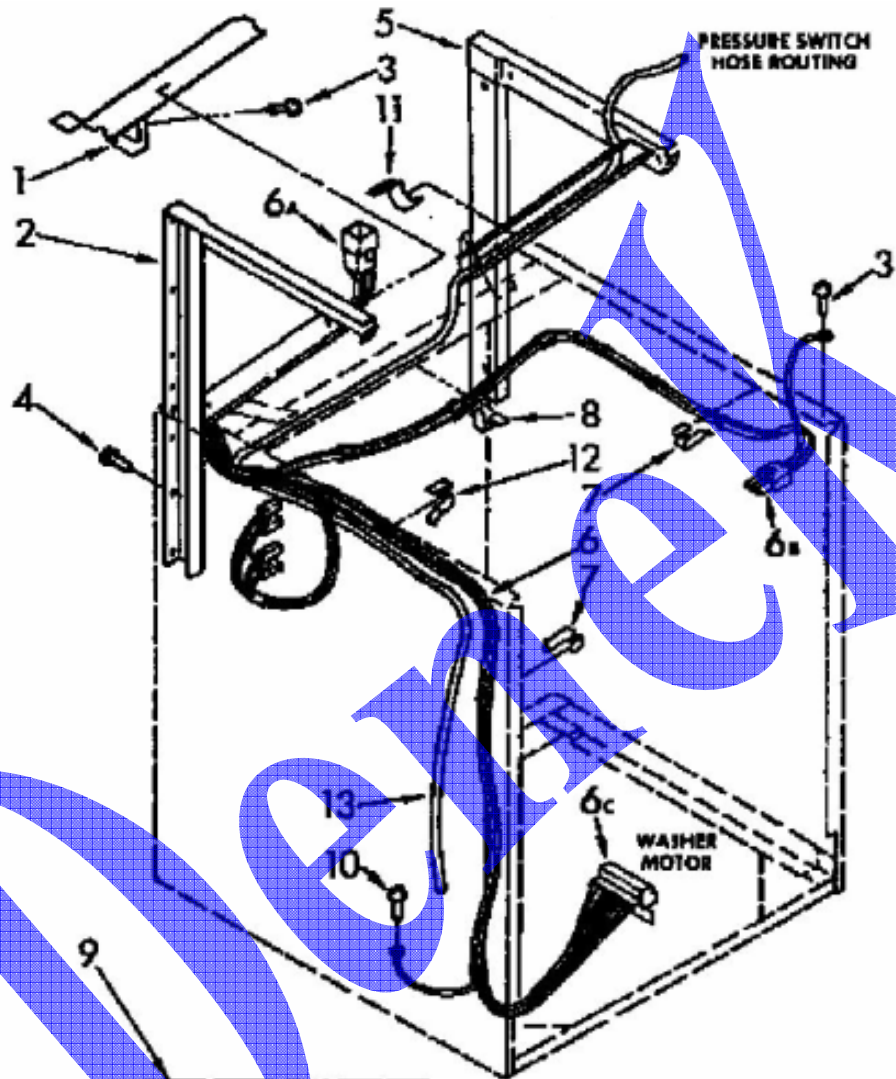
## TAMBOR DE SECADO





NUMERO	N.DE PARTE	DESCRIPCION
1	343641	SCREW, 10-16 X 1/2
2	345396	CLIP, AIR DUCT TO BULKHEAD
3	696529	AIR DUCT & COVER
4	90767	SCREW, 8A X 3/8 (HEX HEAD)
5	660040	THERMOSTAT, OPERATING (140-F) (60.0-C)
5	342812	THERMOSTAT, OPERATING (140-F) (60.0-C) (ALT.)
8	660036	THERMOSTAT, HEATER BOX
8	696707	THERMOSTAT, HEATER BOX (ALT.)
8	341196	THERMOSTAT, HEATER BOX (ALT.)
9	3393008	SCREW, 10-16 X 1/2
10	337272	CLIP, HEATER BOX TO BULKHEAD
11	697269	HEATER BOX (120/240 VOLTS)
13	339956	SEAL, AIR DUCT TO BULKHEAD
14	696426	WHEEL, BLOWER
15	9416643	SCREW, 10-16 X 1/2 (3) (FAN SCROLL TO BULKHEAD)
16	696658	SEAL, FAN SCROLL
17	696418	FAN SCROLL
18	695240	SCREW
20	697440	HARNES, THERMOSTAT & HEATER (INCLUDES ILLUS. 20A)
20	692997	PLUG, MULTI-TERMINAL (CONNECTS WITH MAIN DRYER HARNES)
21	339489	SHAFT, DRUM ROLLER (R.H.)
22	695943	DRUM, DRYER
23	297936	BEARING, RING
24	685207	BAFFLE, DRUM (3)
25	690372	SCREW, BAFFLE MOUNTING (6) (11-16 X 7/8)
26	345648	SEAL, DRUM REAR
27	697540	BULKHEAD
28	348399	SCREEN, LINT
29	685273	COVER, LINT SCREEN OUTLET
30	690997	TRI-RING (4)
31	347364	SHAFT, DRUM ROLLER (L.H.)
32	349241	ROLLER, SUPPORT (2)
33	348197	WASHER, SUPPORT (4)
34	120377	NUT, 3/8-16 (2)
35	342202	SCREW, TAPPING (4) (BULKHEAD TO BASE)
36	697435	HARNES, MAIN DRYER WIRING (INCLUDES ILLUS. 36A, 36B & 36C)
36	717252	RECEPTACLE, TERMINAL (2-WAY) (CONNECTS WITH DOOR SWITCH HARNES)
36	692998	RECEPTACLE, MULTI-TERMINAL (CONNECTS WITH THERMOSTAT & HEATER HARNES)
36	717315	RECEPTACLE, TERMINAL (2-WAY) (CONNECTS WITH AUTOMATIC CONSOLE HARNES)
37	693141	CLIP, WIRING HARNES (3)
38	694018	CORD, POWER
38	694415	STRAIN RELIEF, POWER CORD
39	279457	WIRE KIT (FOR HEATER ELEMENT WIRING HARNES REPAIR)
40	3388703	WASHER, SUPPORT
41	279393	SCREW KIT (FOR TERMINAL BLOCK)
42	279318	TERMINAL, TINNED & BRASS (3) (INCLUDES ILLUS. 41)
43	690989	SCREW, GROUND (2) (10-32 X 1/2)
44	3389665	CLIP, HARNES
45	61894	HEATER, THERMOSTAT
46	695240	SCREW, 8-18 X 1/2 (2)
47	3392519	FUSE, THERMAL
48	359702	CAP, SCREW
49	255563	CLIP, STRAIN RELIEF
50	697439	CLIP, HARNES TO DUCT (2)
51	312147	WASHER
52	345335	COVER, MAINFOLD
53	347455	SUPPORT, HEATER BOX
54	3387208	SUPPORT, CORNER GAS
55	697571	GUARD, SOCK
56	697436	BURNER (REFER TO PAGE 20 FOR COMPLETE BREAKDOWN)



## CENTRO DE LAVADO WP MOD. LT5100XVN0

## SOportes DE SECADO Y ARNESES DEL GABINETE DE LAVADO



WIRING HARNESS PARTS	
	20
	21
	19
	18

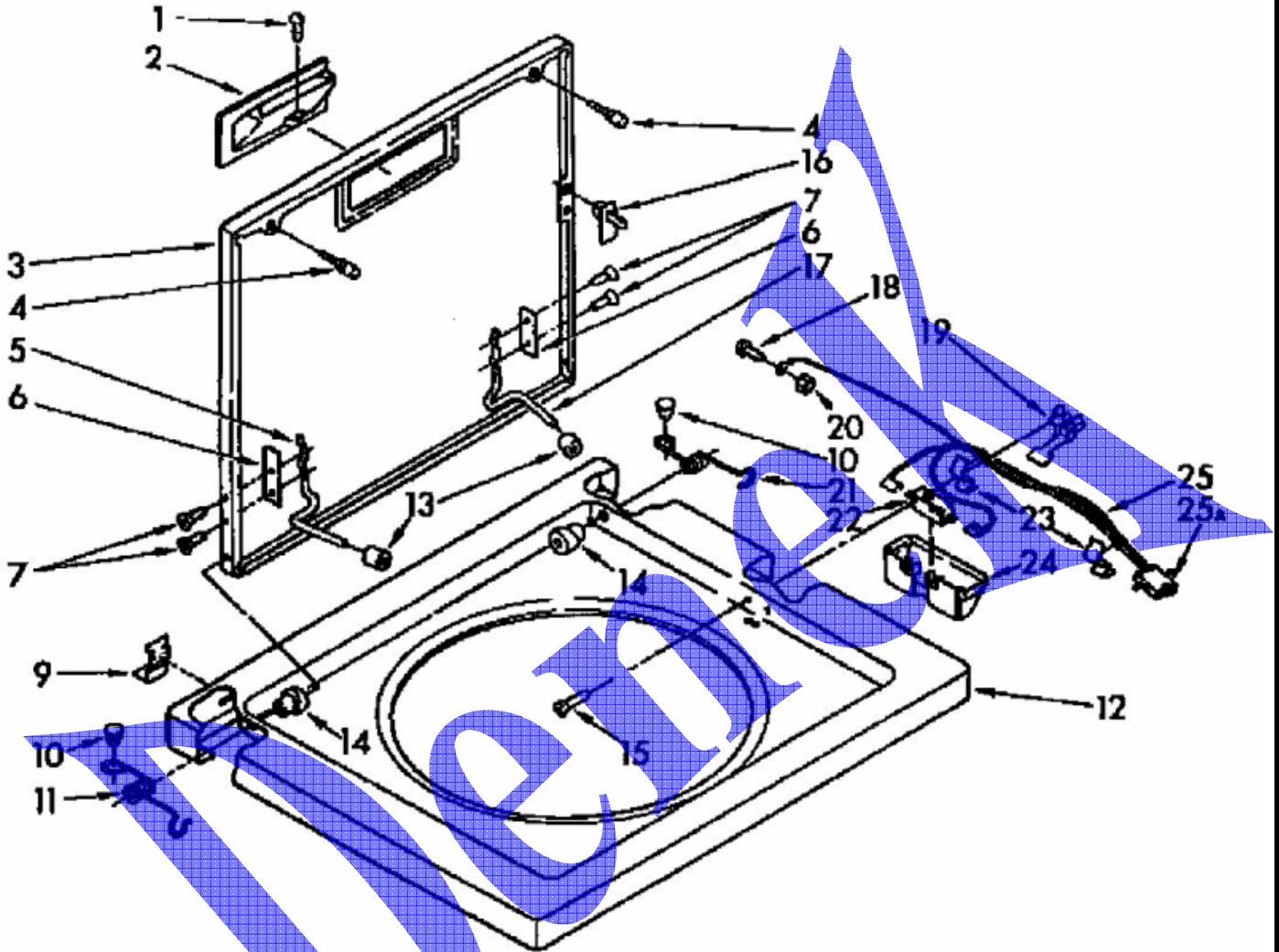
**CENTRO DE LAVADO WP MOD. LT5100XVN0**

**SOPORTES DE SECADO Y ARNESES DEL GABINETE DE LAVADO**

NUMERO	N.DE PARTE	DESCRIPCION
1	694304	COVER, CHANNEL
2	692647	SUPPORT, DRYER (L.H.)
3	343641	SCREW, 10-16 X 1/2
4	308544	SCREW, 10-24 X 1/2 (8) (WASHER CABINET TO DRYER SUPPORTS)
5	692646	SUPPORT, DRYER (R.H.)
6	3388677	HARNESS, UPPER (AUTOMATIC) (INCLUDES ILLUS. 6A, 6B & 6C)
6	696074	PLUG, TERMINAL (12-WAY) (CONNECTS WITH AUTOMATIC CONSOLE HARNESS)
6	62889	PLUG, TERMINAL (3-WAY) (CONNECTS WITH AUTOMATIC LID SWITCH HARNESS)
6	62505	BLOCK, DISCONNECT (CONNECTS WITH AUTOMATIC WASHER MOTOR)
7	3347812	CLIP, WIRING HARNESS (4)
8	696636	CLIP, PRESSURE SWITCH HOSE AND WIRING HARNESS (3)
9	685463	KIT, WIRE GROUNDING
10	9412221	SCREW, 8-32 X 1/4 (2) (MOTOR GROUND)
11	90016	CLIP, PRESSURE SWITCH HOSE (2)
12	693141	CLIP, HARNESS
13	696238	HOSE, PRESSURE SWITCH
14	132848	SCREW, 10-24 X 1"
15	22965	STRAP, GROUND
16	685449	WIRE, GROUND
17	120361	NUT, 10-24
18	94613	TERMINAL, (MALE)
18	94614	TERMINAL, (FEMALE)
19	352088	TERMINAL, FEMALE
20	358763	TERMINAL, FEMALE
21	374230	BLOCK, TERMINAL

## CENTRO DE LAVADO WP MOD. LT5100XVN0

## TAPA Y CUBIERTA DE LAVADO



**CENTRO DE LAVADO WP MOD. LT5100XVNO**

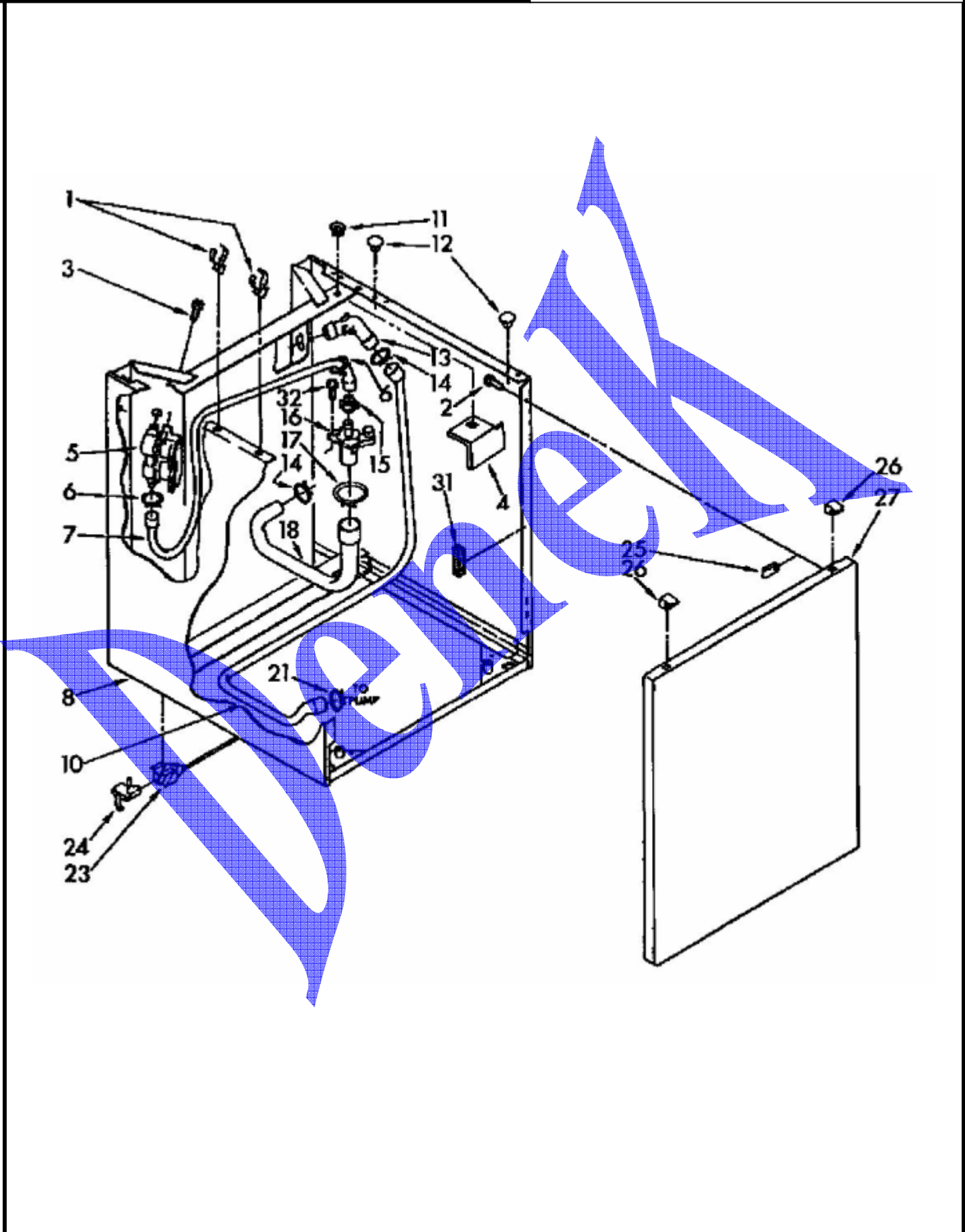
**TAPA Y CUBIERTA DE LAVADO**

NUMERO	N.DE PARTE	DESCRIPCION
1	359243	SCREW
2	379889	HANDLE, LID (WHITE)
2	3350562	HANDLE, LID (ALMOND MODEL)
3	3348018	LID (WHITE MODEL)
3	3348019	LID (ALMOND MODEL)
4	384475	BUMPER, LID (2)
5	384458	HINGE, LID (L.H.)
6	21097	PAD, LID HINGE (2)
7	3351355	SCREW, LID HINGE MOUNTING (4)
9	692985	CLIP, SPRING (2) (TOP TO CABINET)
10	54690	PLUG, BUTTON (2)
11	384460	SPRING, LID (L.H.) (INCLUDES ILLUS 10)
12	384693	TOP (WHITE)
12	384694	TOP (ALMOND)
13	19119	BUMPER, LID HINGE (2)
14	21258	BEARING, LID HINGE (2)
15	354764	SCREW & WASHER, LID SWITCH SHIELD (2)
16	357913	STRIKE, LID SWITCH
17	384459	HINGE, LID (R.H.)
18	274707	SCREW, GROUND (10-24 X 1/2)
19	357347	ACTUATOR, LID SWITCH
20	271166	NUT, GROUND SCREW (10-24)
21	384461	SPRING, LID (R.H.) (INCLUDES ILLUS. 10)
22	661517	SWITCH, LID
22	388322	SWITCH, LID (ALT.)
22	3347287	SWITCH, LID (ALT.)
22	359230	SWITCH, LID (ALT.)
23	90016	CLIP, HARNESS ROUTING
24	359231	SHIELD, LID SWITCH
25	697381	HARNESS, LID SWITCH
25	62888	RECEPTACLE, TERMINAL (3-WAY) (CONNECTS WITH HARNESS)



## CENTRO DE LAVADO WP MOD. LT5100XVN0

## GABINETE DE LAVADO



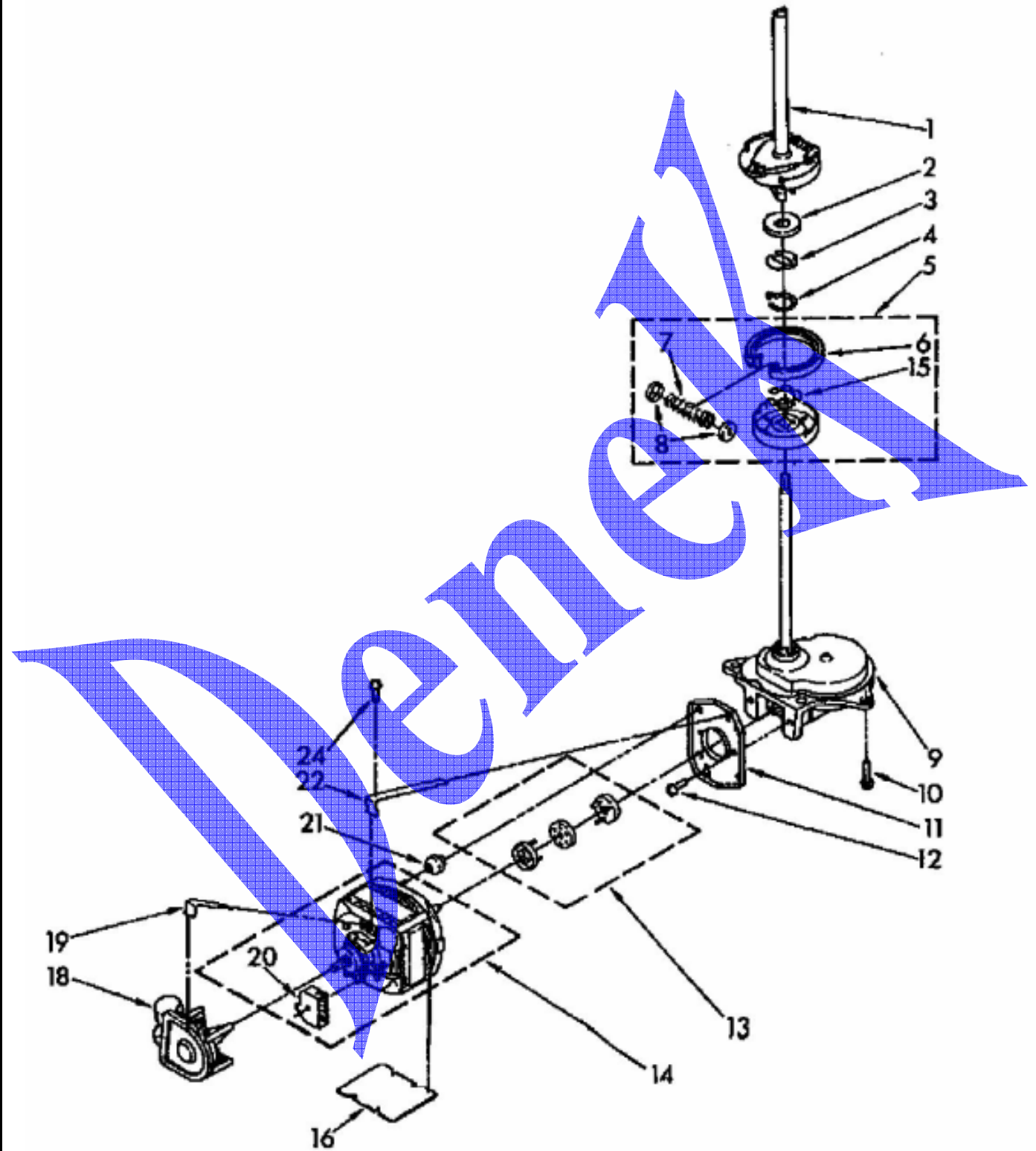
**CENTRO DE LAVADO WP MOD. LT5100XVN0**

**GABINETE DE LAVADO**

NUMERO	N.DE PARTE	DESCRIPCION
1	356746	Clip, Condenser
2	343641	Screw, 10-16 x 1/2
3	62863	Screw, 10-16 x 3/8
5	358992	Valve, Water Mixing
6	272846	(Alt.)
7	692699	Hose, Water Inlet (Siphon Break To Mixing Valve)
8	696013	Cabinet (White)
8	696014	Cabinet (Almond)
10	696710	Hose, Drain
11	692400	Nut, Push-In
12	689587	(Alt.)
12	694010	(Alt.)
12	660975	Plug, Top To Cabinet
13	356739	Connector, Hose
14	272855	Clamp, Hose
15	356471	Cap, Siphon Break
16	356363	Siphon Break
17	272861	Clamp, Hose
18	696394	Hose, Water Inlet (Siphon Break To Tub Ring)
21	272858	(Alt.)
23	358652	Link, Leveling
24	359364	Clip, Leveling Mechanism (2)
25	98234	Clip, Ground (2)
26	345670	Lock, Top (2)
27	692629	Panel, Front (Almond)
27	692628	Panel, Front (White)
31	3350013	Foam
32	64247	Screw

## CENTRO DE LAVADO WP MOD. LT5100XVN0

## FRENO, CLUTCH, CORONA, MOTOR Y BOMBA



**CENTRO DE LAVADO WP MOD. LT5100XVN0**

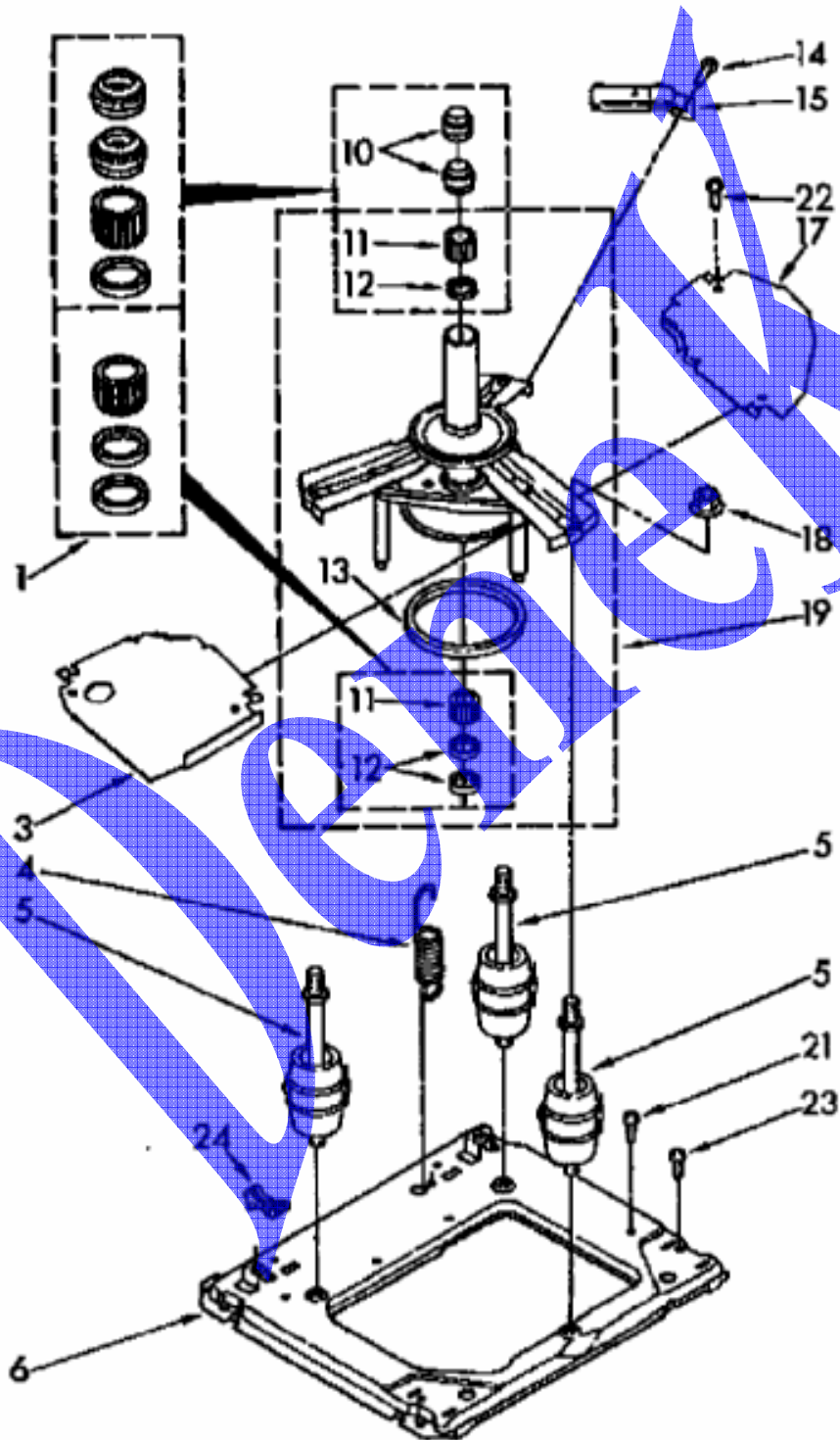
**FRENO, CLUTCH, CORONA, MOTOR Y BOMBA**

NUMERO	N.DE PARTE	DESCRIPCION
1	387948	Brake And Drive Tube (Complete)
2	63292	Washer, Spin Tube Thrust
3	62697	Ring, Spin Tube Support
4	63283	Ring, Retainer
5	3350114	Clutch (Complete)
6	388190	Band & Lining, Clutch (Includes Illus. 7 & 8)
7	64177	Spring, Clutch
8	62646	Cap, Clutch Spring (2)
9	389246	Gearcase (Complete)
10	62735	Screw, Gearcase To Base (3) (5/16-24 x 3/4)
11	62611	Plate, Motor Mount To Gearcase
12	98062	Screw, 5/16-24 x 5/8 (2)
13	661560	Coupling, Motor And Isolation
14	3349644	Motor, Main Drive
15	3350070	Clip (Anti-Rattle)
16	3351341	Shield, Motor
18	3352492	Pump (Complete)
19	62700	Retainer, Pump (2)
20	62850	Switch, Main Drive Motor
21	62691	Grommet, Motor (4)
22	3349637	Retainer, Motor (2)
24	357640	Screw & Washer (Tub Mounting)



## CENTRO DE LAVADO WP MOD. LT5100XVN0

## BASE



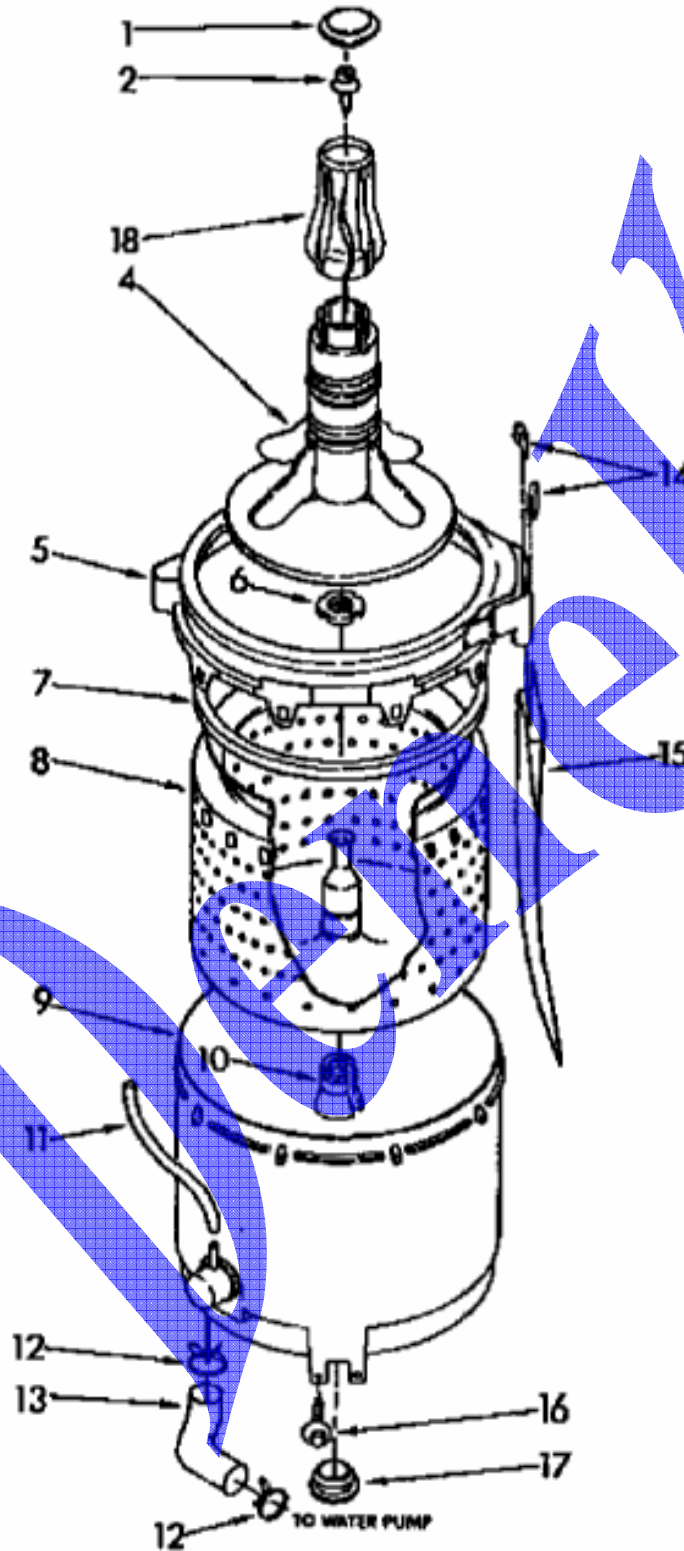
**CENTRO DE LAVADO WP MOD. LT5100XVN0**

**BASE**

NUMERO	N.DE PARTE	DESCRIPCION
1	285203	Centerpost Bearing Kit (Includes Items 10, 11 & 19)
3	64137	Shield, Tub
4	388492	Spring, Counterweight
5	3350397	Suspension Assembly (3)
6	63755	Base
10	356934	Seal, Centerpost (2)
11	3347047	Bearing, Centerpost (2)
12	357409	Seal, Centerpost (3)
13	63134	Ring, Sound Deadening
14	98610	Screw, Bracket Mounting (10-16 x 5/8) (6)
15	63636	Bracket, Counterweight Spring
17	63637	Shield, Tub
18	3351021	Nut, 1/2 - 13 (3)
19	63740	Tub Support and Drum
21	690989	Screw, Grounding
22	90767	Screw, 8-18 x 3/8
23	386011	Screw & Washer (Base To Cabinet)
24	696044	Block, Restraint

## CENTRO DE LAVADO WP MOD. LT5100XVN0

## TINA Y CANASTA



**CENTRO DE LAVADO WP MOD. LT5100XVN0**

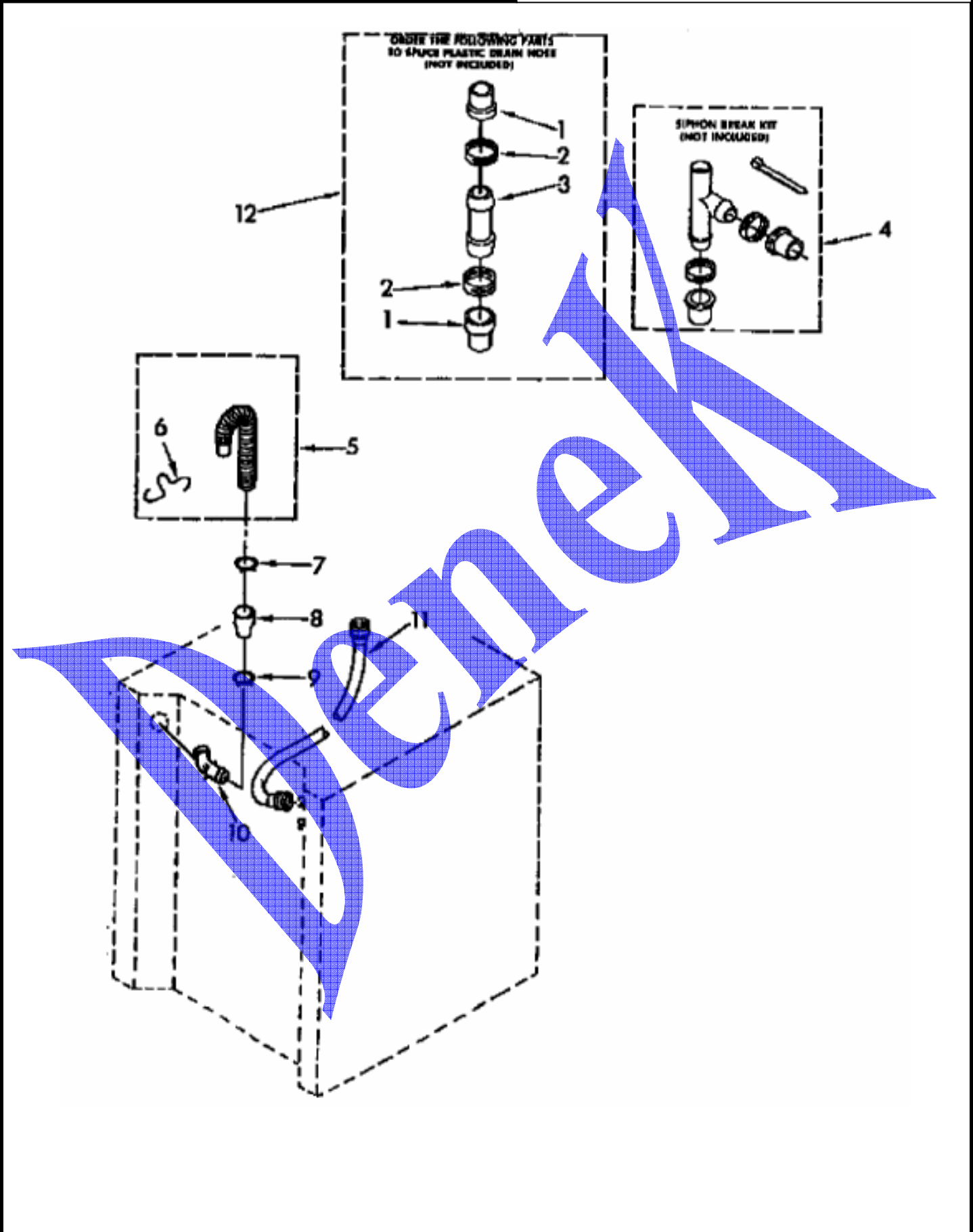
**TINA Y CANASTA**

NUMERO	N.DE PARTE	DESCRIPCION
1	63911	Cap, Agitator
2	358237	Screw & Washer (5/16-24 x 1)
3	3349098	Agitator
5	64175	Tub Ring & Gasket (Includes Illus. 7, 14 & 15)
6	21366	Nut, Spanner
7	64000	Gasket, Tub Ring
8	3351985	Basket
9	63782	Tub
10	389140	Block, Basket Drive
11	696238	Hose, Pressure Switch
12	371502	Clamp, Hose
13	386929	Hose, Tub To Pump
14	352155	Clip, Retaining
15	356398	Tube, Drain Off
16	98005	Screw & Washer (Tub Mounting) (4)
17	383727	Gasket, Centerpost
18	63840	Filter, Agitator



## CENTRO DE LAVADO WP MOD. LT5100XVN0

## MANGUERAS



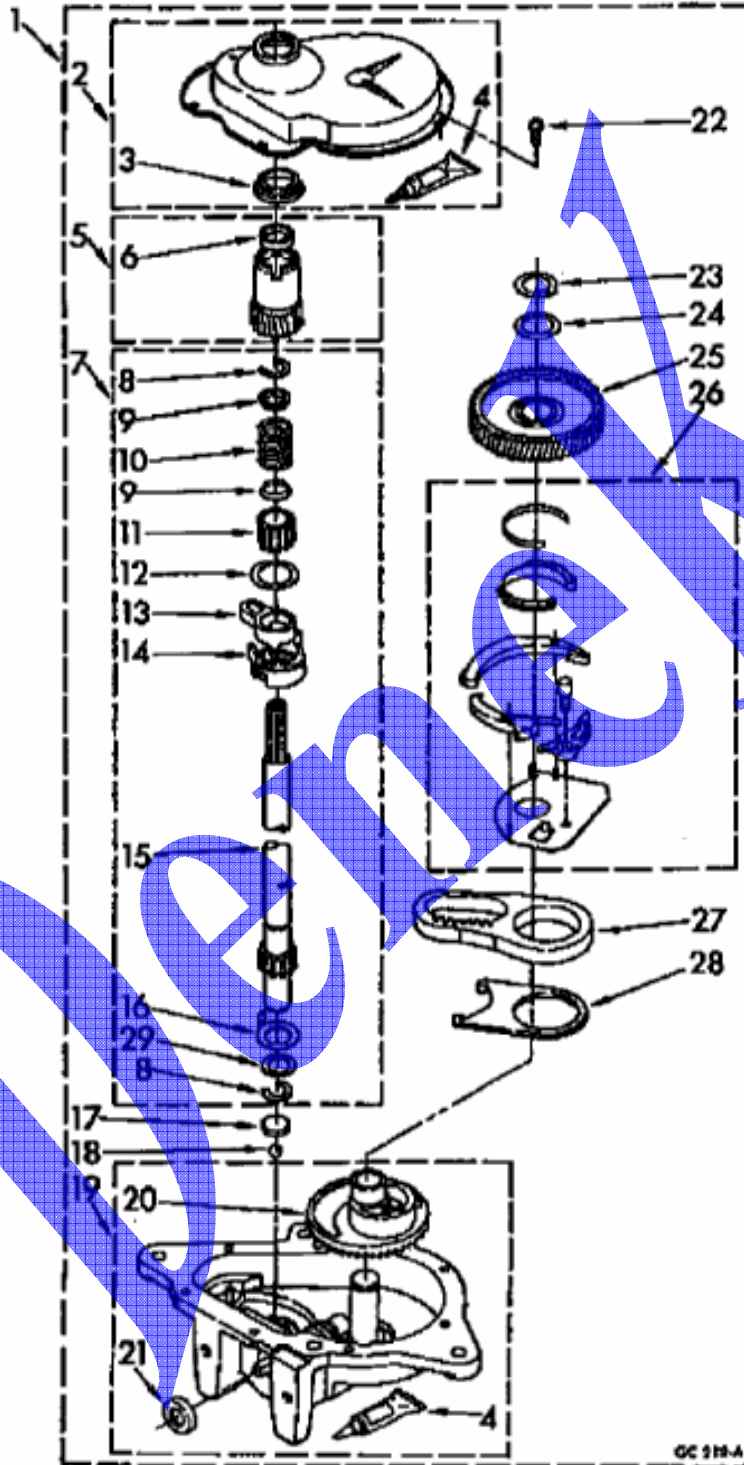
CENTRO DE LAVADO WP MOD. LT5100XVN0

MANGUERAS

NUMERO	N.DE PARTE	DESCRIPCION
1	285321	Sleeve Kit, (Contains 2 Sleeves)
2	65349	Clamp, Hose
3	16272	Connector, Straight
4	285320	Siphon Break Kit (Not Included)
5	387325	Hose, Corrugated Plastic Drain (5 1/2 Ft.)
5	388418	Hose, Corrugated Plastic Drain (10 Ft.) (Not Included)
6	3350222	Retainer, Drain Hose
7	371504	Clamp, Hose (4)
8	384496	Coupling, Hose
9	370445	Clamp, Hose
10	356739	Connector, Hose
11	366108	(Alt.)
11	660028	Hose, Water Inlet (2)
11	81339	(Alt.)

## CENTRO DE LAVADO WP MOD. LT5100XVN0

## PARTES DE LA TRANSMISION



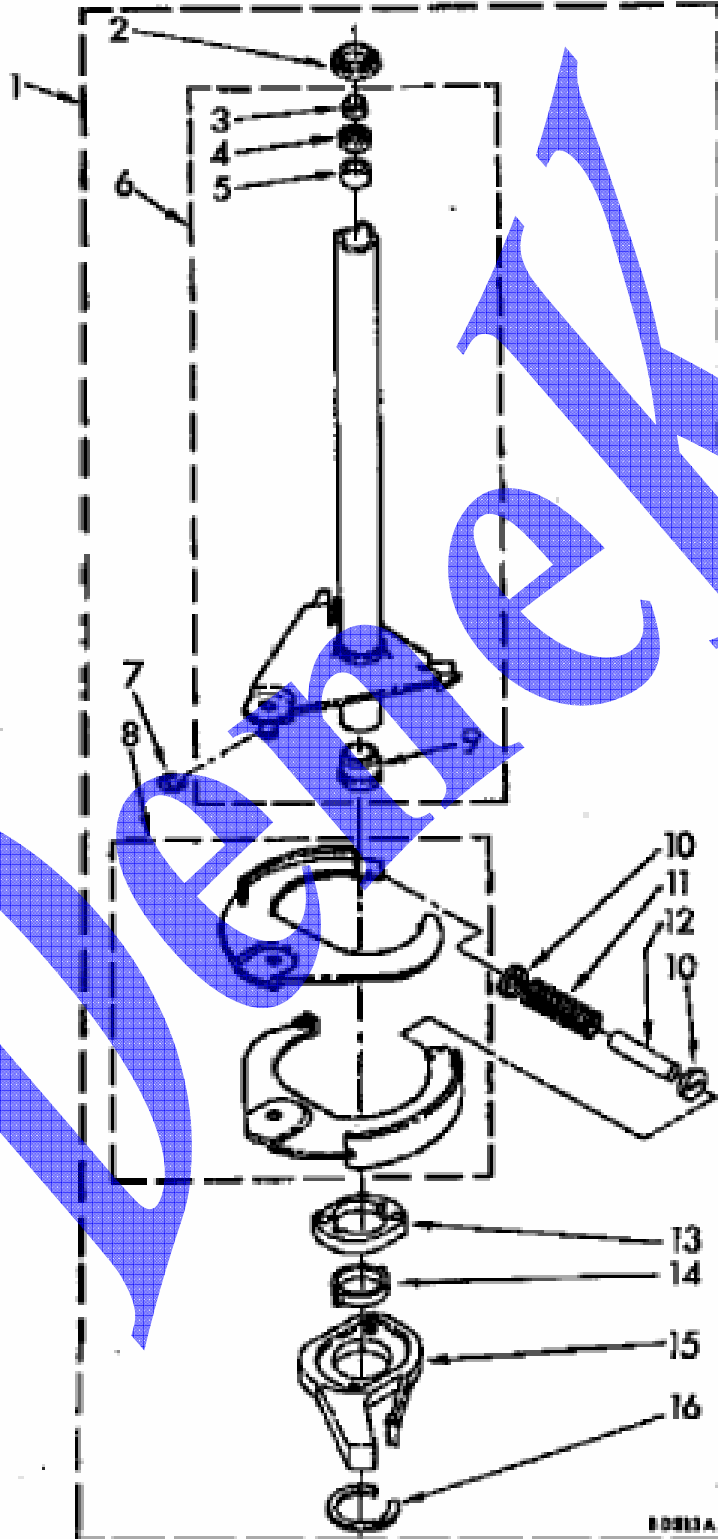
**CENTRO DE LAVADO WP MOD. LT5100XVN0**

**PARTES DE LA TRANSMISION**

NUMERO	N.DE PARTE	DESCRIPCION
1	389246	Gearcase (Complete)
2	62685	Cover, Gearcase
3	62787	Seal, Gearcase Cover
4	285195	Sealer, Gasket (.20 Fl. Oz.) (6 ml)
5	63320	Pinion, Spin (Includes Illus. 25)
6	356427	Seal, Drive Tube
7	389387	Shaft, Agitator (Complete)
8	90369	Ring, Retaining (2)
9	62677	Retainer, Spring (2)
10	62676	Spring, Agitate
11	63273	Gear, Agitate (Includes 15 & 29)
12	62619	Washer, Agitate Gear
13	62580	Cam Follower (Includes 14)
14	62581	Cam, Agitate (Includes 13)
15	389231	Shaft, Agitator
16	62618	Washer, Cam Thrust
17	16018	Bearing, Thrust (Includes 18)
18	85529	Ball, Bearing (Includes 17)
19	389229	Bottom and Pinion, Gearcase
20	62528	Gear, Main Drive
21	285352	Seal, Thrust Plug
22	90864	Screw, 10-24 x 1/2
23	95082	Ring, Retaining
24	285292	Washer Kit, Thrust
25	62570	Gear, Spin
26	388253	Neutral Assembly
27	62534	Rack, Connecting
28	62621	Actuator, Shift
29	388815	Washer, Intermediate

## CENTRO DE LAVADO WP MOD. LT5100XVN0

## FLECHA ENSAMBLADA





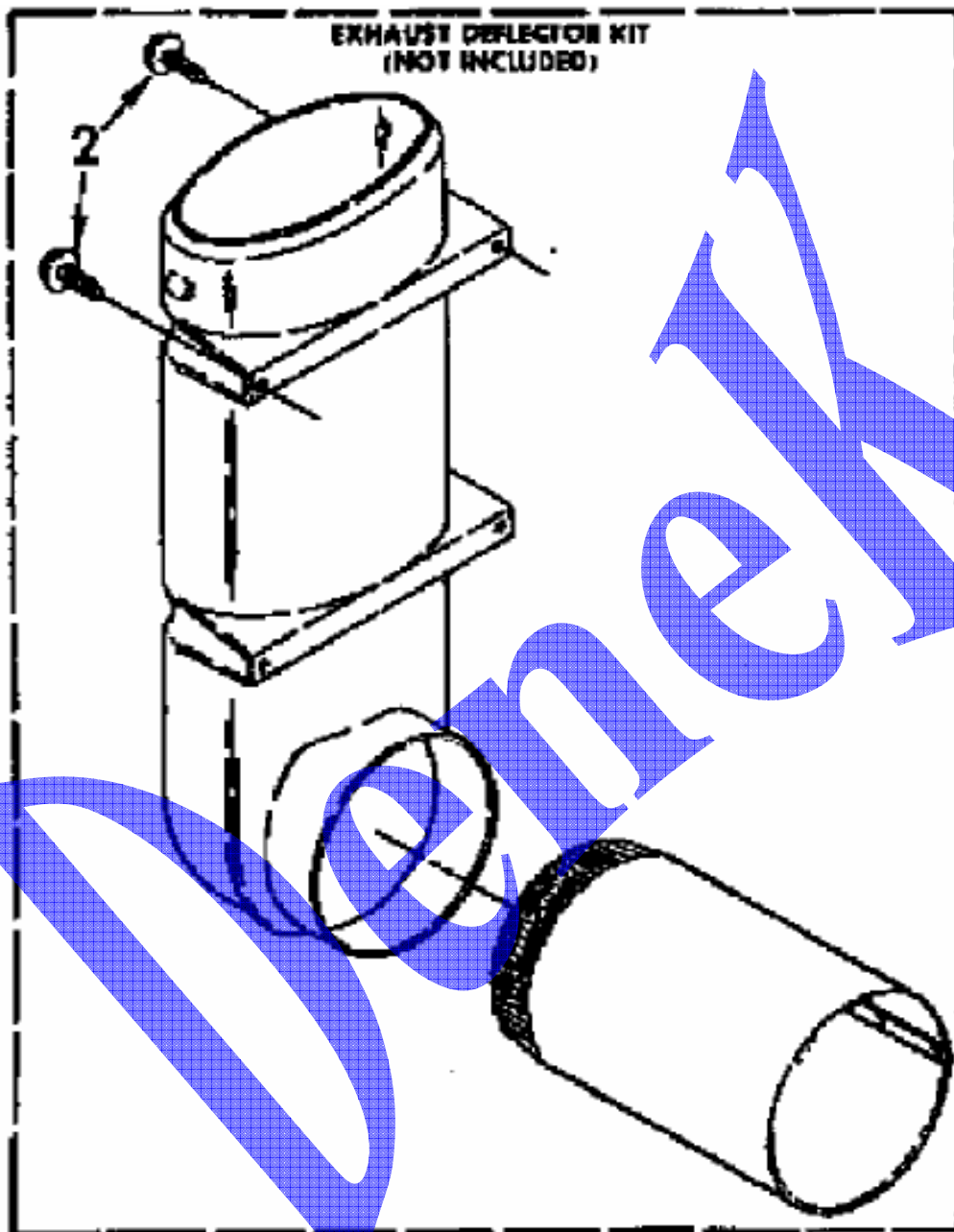
**CENTRO DE LAVADO WP MOD. LT5100XVN0**

**FLECHA ENSAMBLADA**

NUMERO	N.DE PARTE	DESCRIPCION
2	62658	Ring, Thrust
3	91939	Seal, Shaft
4	356427	Seal, Drive Tube
5	356937	Spacer, Drive Tube
6	64027	Tube, Basket Drive
7	64035	Ring, Retaining
8	64232	Shoe, Brake (2)
9	62703	Ball Bearing, Spin Tube
10	62648	Cap, Brake Spring (2)
11	63748	Spring, Brake
12	62909	Sleeve, Brake Spring
13	661516	Cam, Brake Release
13	3348288	(Alt.)
13	63023	Cam, Brake Release
14	63022	Sleeve, Cam
15	64194	Driver, Brake Cam
16	90368	Ring, Retaining

## CENTRO DE LAVADO WP MOD. LT5100XVN0

## ACCESORIOS



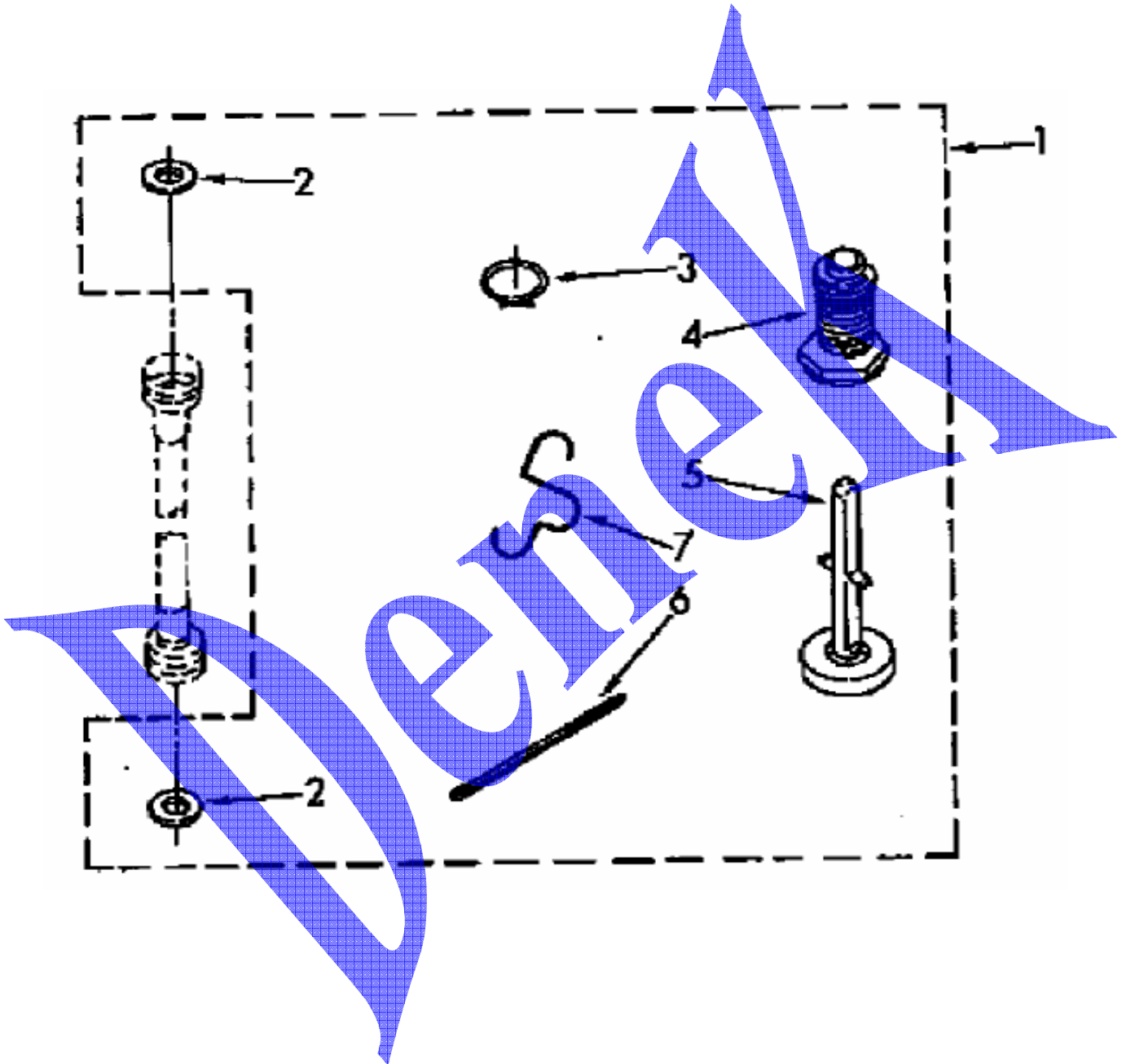
CENTRO DE LAVADO WP MOD. LT5100XVNO

ACCESORIOS

NUMERO	N.DE PARTE	DESCRIPCION
1	694609	Exhaust Deflector Kit (Complete)
1	694646	Side Exhaust Extension Kit (Complete)
2	687128	Screw, 10-16 x 1/2

## CENTRO DE LAVADO WP MOD. LT5100XVN0

## PATAS Y ARANDELAS



**CENTRO DE LAVADO WP MOD. LT5100XVN0**

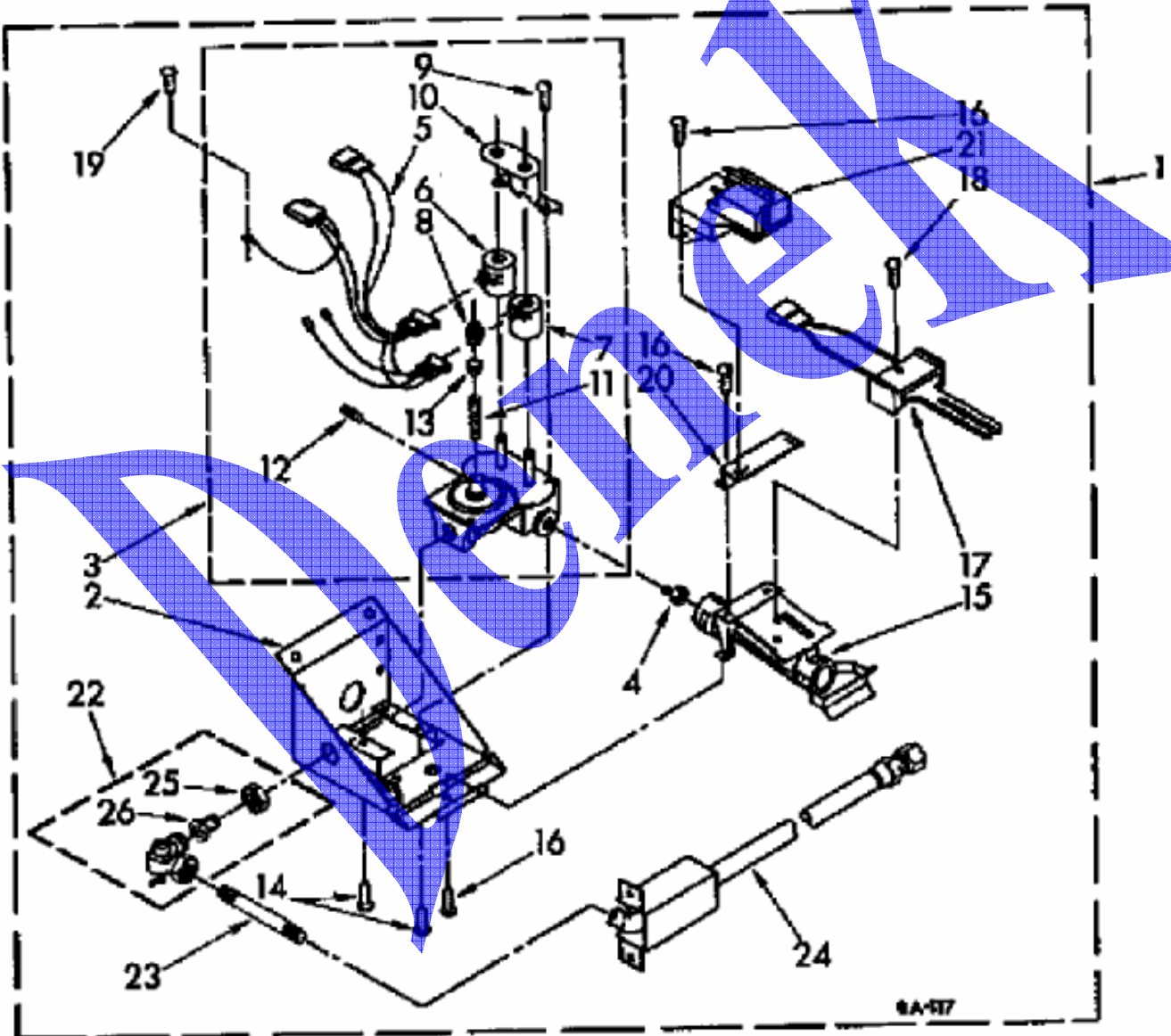
**PATAS Y ARANDELAS**

NUMERO	N.DE PARTE	DESCRIPCION
1	692894	Miscellaneous Parts Bag
2	16123	Washer, Water Inlet Hose (4) 1-1/16 x 5/8
3	370445	Clamp, Hose
4	367594	Foot, Front (2)
5	358594	Foot, Rear (2)
6	3347868	Cable Tie
7	3350222	Retainer, Drain Hose
	350930	PAINT, PRESSURIZED SPRAY (12 oz.) (White)
	285195	Sealer, Gasket (.20 Fl. Oz.) (6 ml)
	285208	Lubricant (Use Only In Brake Shoe Assembly On Roller & Pin)
	350956	Enamel, Almond (13 Oz. Spray Can)
	350572	Oil, Gearcase (16 Oz.)
	350938	PAINT, PRESSURIZED SPRAY (12 oz.) (Primer, Gray)
	350941	Leveler (Thinner)
	72107	Brush Touch-Up Kit (Almond)
	799344	PAINT, BULK (1 qt.) (White (Uncut))
	978883	Enamel, Almond (1 Qt. Uncut)
	LIT3391356	Guide, Use & Care
	LIT3393149	Instructions, Installation
	LIT3390945	Guide, Laundry
	LIT3390394	List, Repair Parts
	LIT697546	Wiring Diagram
	72017	PAINT, TOUCH-UP (1/2oz.) (White)



## CENTRO DE LAVADO WP MOD. LT5100XVN0

## ENSAMBLE DEL QUEMADOR



**CENTRO DE LAVADO WP MOD. LT5100XVN0**

**ENSAMBLE DEL QUEMADOR**

NUMERO	N.DE PARTE	DESCRIPCION
1	697436	Burner Assembly 60 Hz.
2	697408	Base, Burner
3	694498	Valve, 60 Hz.
4	234822	Orifice (Natural Gas)
4	347744	Orifice (L.P. Gas)
5	697807	Harness
6	694539	Coil, 60 Hz. (Split) (3 Terminal) (Pilot Position)
7	694540	Coil, 60 Hz. (2 Terminal) (Main)
8	694424	Leak, Limiter
9	694421	Screw, 8-32 x 1/2 (2)
10	694538	Bracket, Coil
11	694422	Spring, Regulator
12	239822	Plug, Pipe
13	694423	Screw, Regulator Adjustment
14	339527	Screw, 8-32 x 3/8 (2)
15	697361	Burner
16	3348629	Screw No.8 (3)
17	660991	Ignitor
18	686593	Screw and Washer 8-32 x 1
19	342202	Screw, 10-16 X 1/4
20	697409	Bracket, Sensor
21	338906	Sensor, Radiant
22	697441	Valve & Union Shut-Off
23	3388638	Nipple, Short
24	3391118	Supply Line (Gas)
25	233076	Nut, Compression
26	233077	Pipe, Tail
26	279243	Conversion Kit Type (1) Natural to Type (3) Manufactured
26	694580	Conversion Kit (Type 1, 2 & 3) to Type (4) L.P.G.