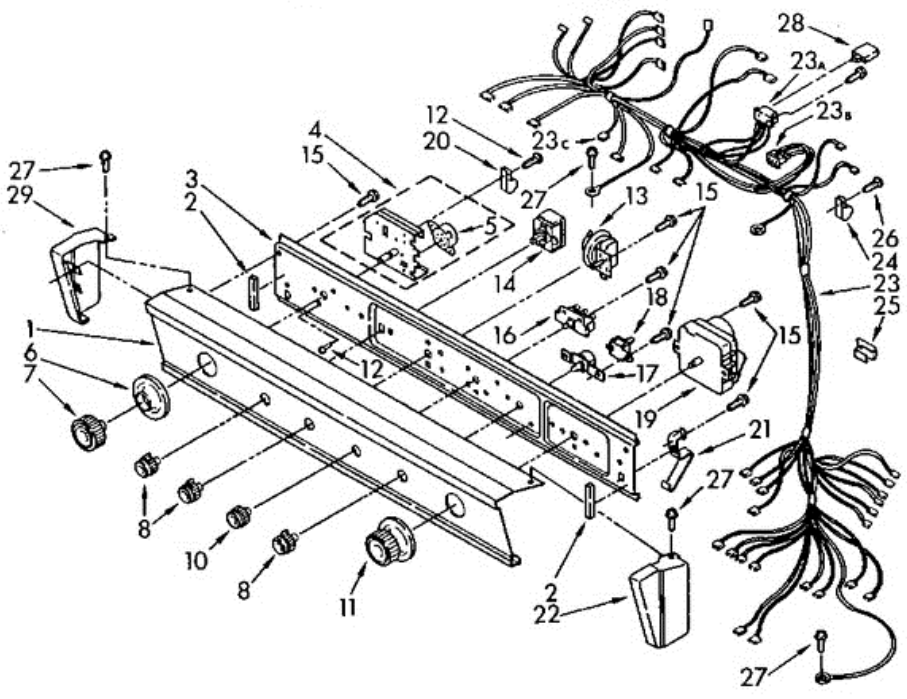


LT7000XVW0 TABLERO



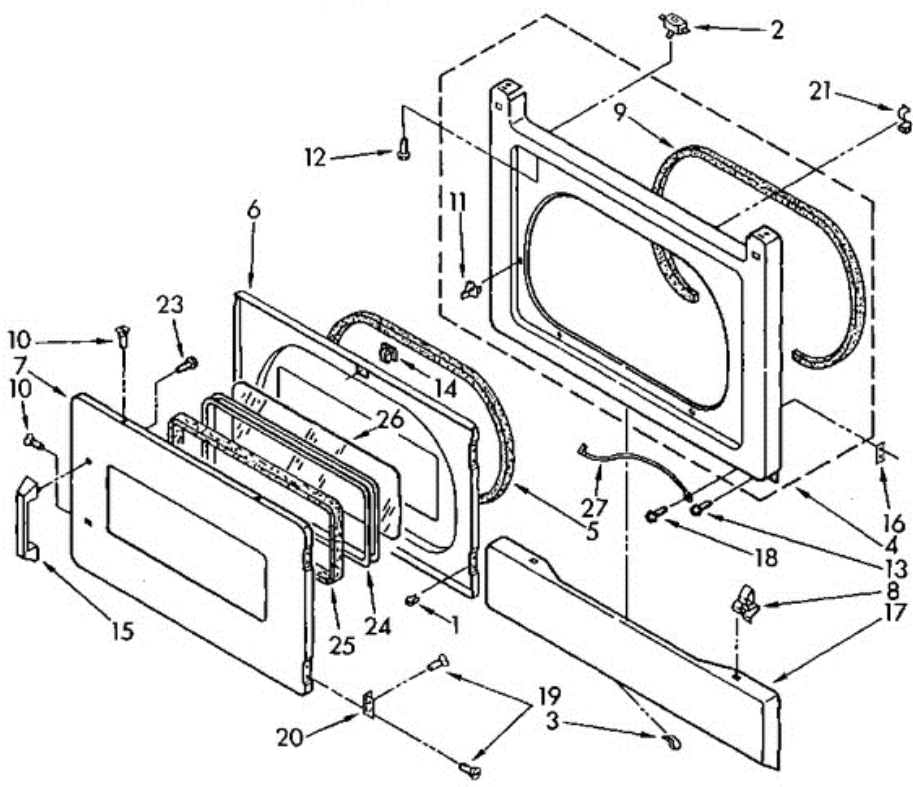


LT7000XVW0 TABLERO

1	3390082	PANEL, CONTROL (WHITE)
1	3390083	PANEL, CONTROL (ALMOND)
2	3390688	SPACER- FOAM PAD (2)
3	3389533	BRACKET, CONTROL (INCLUDES ILLUS. 2)
4	3351744	TIMER, WASHER
5	63493	MOTOR, TIMER
6	3392746	SKIRT, TIMER KNOB (WASHER) (WHITE)
6	3392747	SKIRT, TIMER KNOB (WASHER) (ALMOND)
7	3392698	KNOB, TIMER (WASHER) (WHITE)
7	3392699	KNOB, TIMER (WASHER) (ALMOND)
8	3392714	KNOB, CONTROL (3) (WHITE)
8	3392715	KNOB, CONTROL (3) (ALMOND)
10	3392692	KNOB, PUSH TO START (WHITE)
10	3392693	KNOB, PUSH TO START (ALMOND)
11	3392730	KNOB, TIMER (DRYER) (WHITE)
11	3392731	KNOB, TIMER (DRYER) (ALMOND)
12	96435	SCREW
13	3348819	SWITCH, PRESSURE
14	661535	SWITCH, TEMPERATURE
15	3391382	SCREW, 10-16 X 3/8
16	693169	SWITCH, PUSH-TO-START
17	696321	CONTROL, VARIABLE TEMPERATURE
18	694419	BUZZER, MINI
19	3391377	TIMER, DRYER
20	255565	CLAMP
21	3389453	BRACKET, HINGE (2)
22	3389456	END CAP-RIGHT HAND (WHITE)
22	3389457	END CAP-RIGHT HAND (ALMOND)
23	3393297	HARNESS - DRYER
23	341141	CONTROL, ELECTRONIC
23	351296	RECEPTACLE, (DOOR SWITCH)
23	62889	RECEPTACLE, POWER (WASHER)
24	3390604	CLAMP, HARNESS

25	3390422	CLIP, HARNESS (2)
26	3387058	SCREW, 10-16 X 3/8
27	697775	SCREW, GROUND
28	661513	CONTROL
29	3389464	END CAP-LEFT HAND (WHITE)
29	3389465	END CAP (LH) (ALMOND)

LT7000XVW0 PUERTA





LT7000XVW0 PUERTA

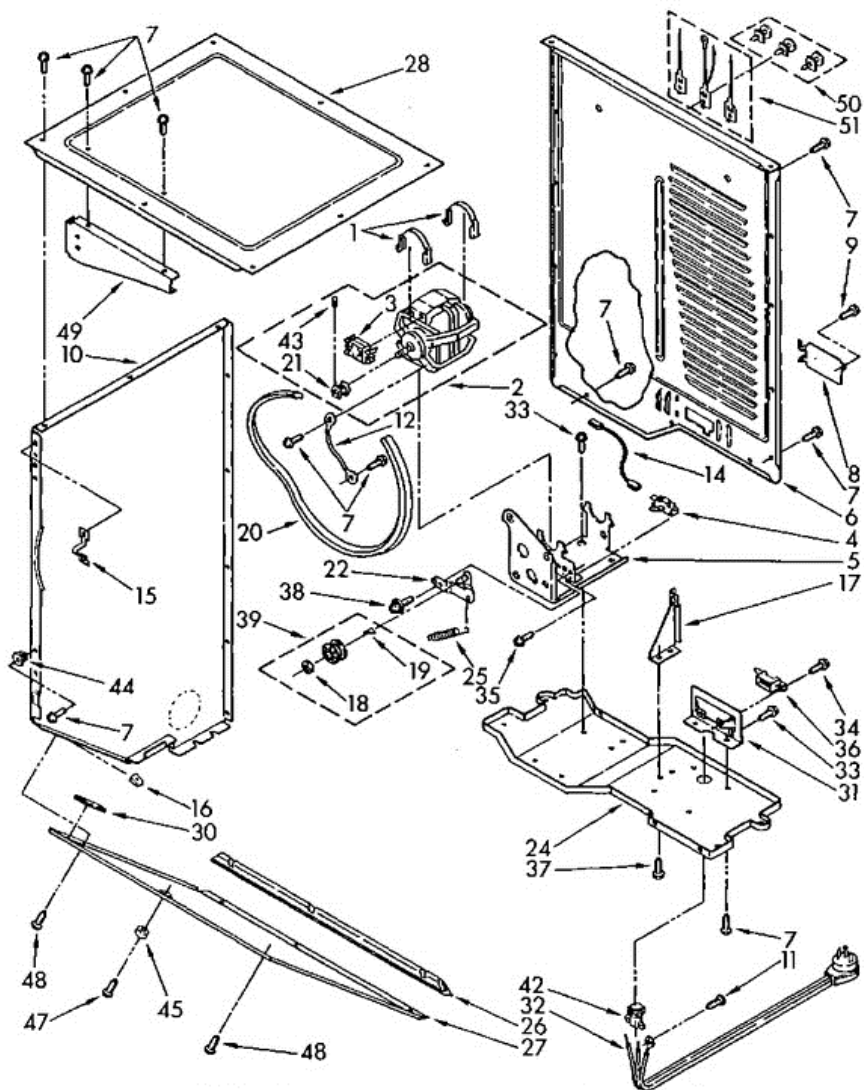
1	3389249	NUT, PUSH (4)
2	3391902	SWITCH, DOOR
3	98234	CLIP, GROUND
4	3392547	PANEL, FRONT (WHITE)
4	3392548	PANEL, FRONT (ALMOND)
5	3392239	SEAL, DOOR
6	3392905	DOOR, REAR
7	3392880	DOOR, FRONT (WHITE)
7	3392881	DOOR, FRONT (ALMOND)
8	3388229	RETAINER, TOE PANEL (2)
9	3387242	BEARING & SEAL
10	694091	SCREW
11	696144	STRIKE, PANEL
12	697773	SCREW, DOOR SWITCH MOUNTING (2)
13	343641	SCREW, 10-16 X 1/2 (2)
14	3392538	CATCH, DOOR
15	3392906	HANDLE, DOOR (WHITE)
15	3392907	HANDLE, DOOR (ALMOND)
16	3390902	CLIP, DOOR HINGE (2)
17	3388958	PANEL, TOE (WHITE)
17	3388959	PANEL, TOE (ALMOND)
18	3390646	SCREW, GROUND
19	342055	SCREW, DOOR MOUNT TO HINGE & PANEL (8)
20	3389247	HINGE & PIN, DOOR (2)
21	3391107	CLIP, HARNESS
23	718032	SCREW, 8-18 X 3/4 (DOOR HANDLE)
24	3392914	FRAME, WINDOW
25	3392915	GASKET, WINDOW
26	3392918	WINDOW (2)
27	3392258	WIRE, GROUND

Distribuidor Autorizado

SurteRápido.com

Venta de Refacciones
Electrodomesticas

LT7000XVW0 MOTOR SEC.





LT7000XVW0 MOTOR SEC.

1	343481	(ALT.)
1	660658	CLAMP, MOTOR MOUNTING (2)
1	685441	(ALT.)
2	3391898	MOTOR, MAIN DRIVE (60 HZ.)
3	3388235	SWITCH, MOTOR START
4	3391903	POWER RESISTOR & SHIELD
5	3388895	BRACKET, MOTOR
6	3389847	PANEL, REAR
7	697775	SCREW, 10-16 X 1/2
8	3387673	COVER, TERMINAL BLOCK
9	697776	SCREW, 10-32 X 1/2
10	3389256	PANEL, SIDE (L.H.) (WHITE)
10	3389257	PANEL, SIDE (L.H.) (ALMOND)
10	3389264	PANEL, SIDE (L.H.) (WHITE)
10	3389265	PANEL, SIDE (L.H.) (ALMOND PANEL, SIDE (R.H.))
11	3390631	SCREW, GROUND
12	3387376	WIRE, MOTOR GROUND
14	3390690	WIRE, BROKEN BELT SWITCH
15	3389231	CLIP, FRONT PANEL (2)
16	98234	CLIP, GROUND
17	3391639	BRACKET, BULKHEAD
18	233520	WASHER, THRUST
19	690997	TRI RING
20	3387610	BELT, DRIVE
21	3391087	PULLEY, MOTOR (60 HZ.)
22	3389332	BRACKET, IDLER
24	3390026	BASE, DRYER
25	3387374	SPRING, IDLER
26	3389683	COVE, TRANSITION PANEL (BLACK)
27	3389272	PANEL, TRANSITION (WHITE)
27	3389273	PANEL, TRANSITION (ALMOND)
28	3389537	TOP, DRYER
30	3389682	SPACER (2)

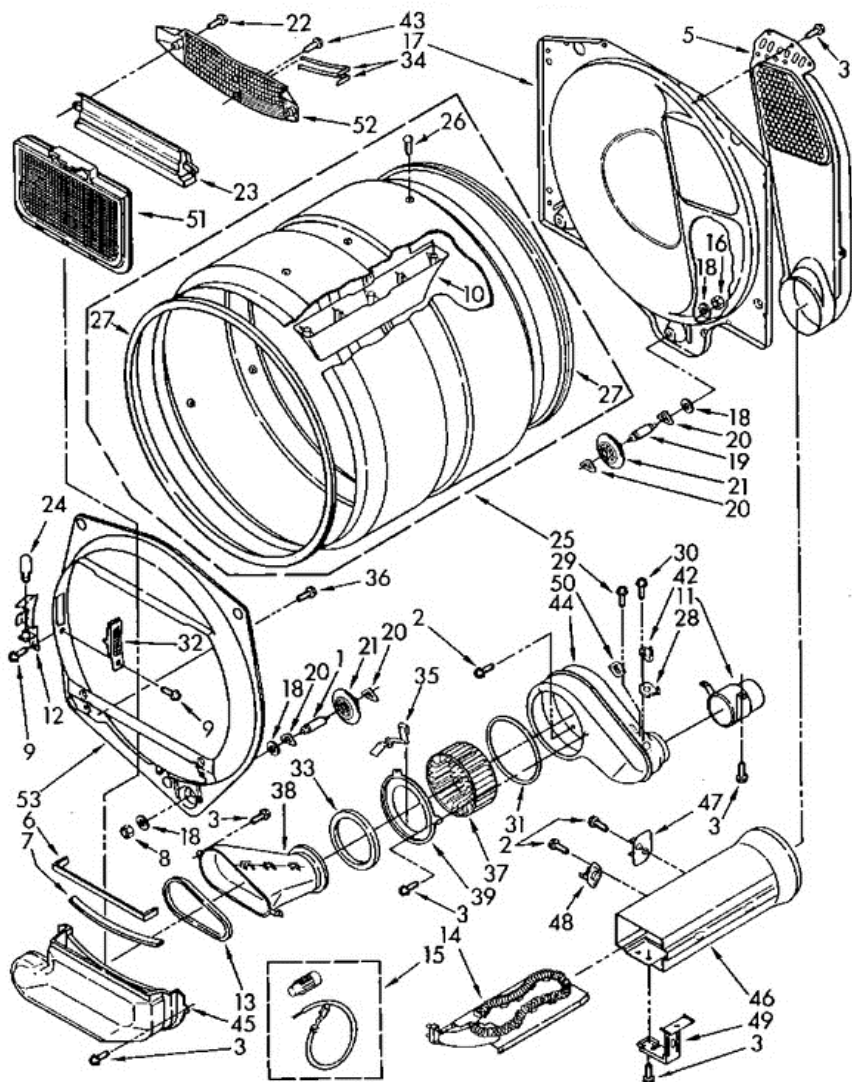
31	3390045	BRACKET, TERMINAL BLOCK
32	687104	CORD, POWER (3-PRONG) (USE MODEL LT7000XVW0)
32	694276	CORD, POWER (4-PRONG) (USE MODEL LT7004XVW0)
33	3390631	SCREW
34	98518	SCREW 6-20 X 7/8
35	697773	SCREW, 6-20 X 7/8 (2)
36	690261	BLOCK, TERMINAL
37	3390631	SCREW
38	3389420	BOLT, SHOULDER
39	3388672	PULLEY, IDLER
42	687000	STRAIN-RELIEF (POWER CORD)
43	3392285	SCREW, SET
44	692400	NUT, PUSH IN
45	3389431	BUMPER, LID (WHITE)
45	3389432	BUMPER, LID (ALMOND)
47	693304	SCREW AND WASHER
48	9414722	SCREW, 10-16 X 1/2 (2)
49	3390722	SHIELD, CONSOLE TO DRUM
50	279393	SCREW KIT (FOR TERMINAL BLOCK)
51	279318	TERMINAL, TINNED & BRASS (3) (INCLUDES ILLUS. 41)

Distribuidor Autorizado

SurteRápido.com

Venta de Refacciones
Electrodomesticas

LT7000XVW0 TAMBOR





LT7000XVW0 TAMBOR

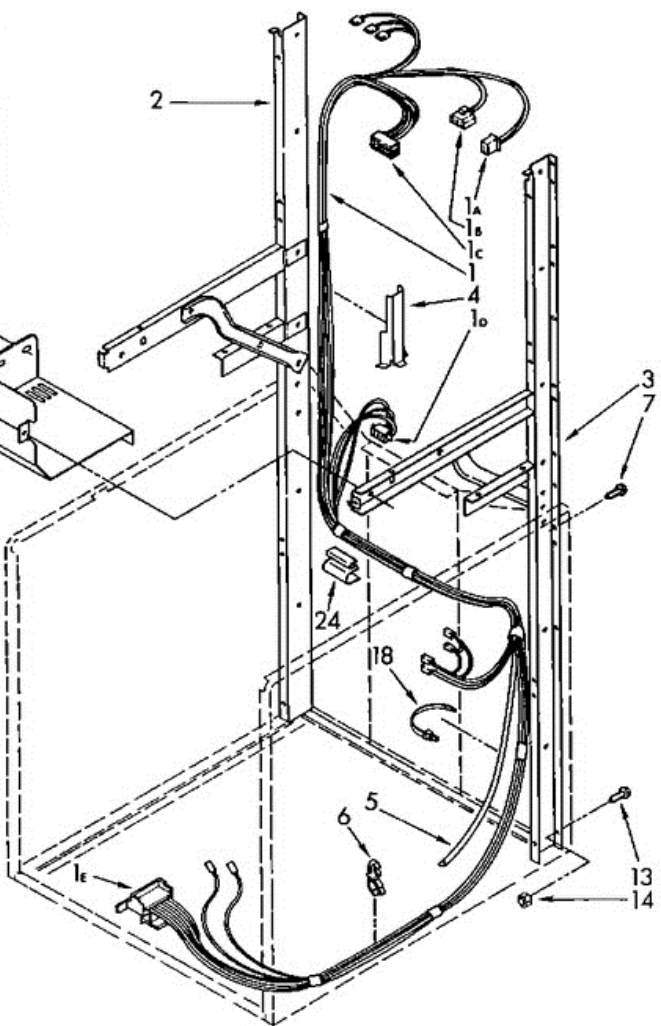
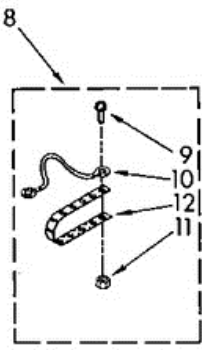
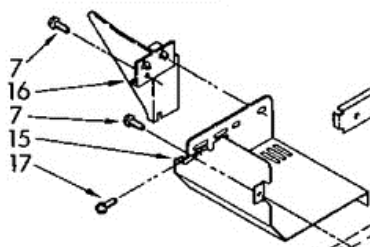
1	3387460	SHAFT, ROLLER
2	697778	SCREW, 8-18 X 3/8
3	697775	SCREW, 10-16 X 1/2
5	697354	AIR DUCT ASSEMBLY
6	697813	SEAL, OUTLET HOUSING
7	3391906	SEAL, LINT DUCT
8	120377	NUT (2)
9	309100	SCREW, 10A X 12 FLAT, HD. (2)
10	3389449	BAFFLE, DRUM (3)
11	3390459	PIPE, EXHAUST
12	3392255	BRACKET, LAMPHOLDER
13	3391685	SEAL, TRANSITION DUCT TO LINT DUCT
14	3387749	ELEMENT, HEATER
15	279457	TERMINAL WIRE KIT
16	3387709	NUT, HEX (2)
17	3387809	BULKHEAD, REAR
18	3387459	WASHER, SUPPORT
19	3387707	SHAFT, L.H. THREAD
20	690997	TRI RING
21	3388342	SUPPORT, ROLLER
22	3387230	SCREW, 10-16 X 3/4
23	697768	HOUSING, OUTLET
24	3387683	LAMP, INCANDESCENT
25	3389448	ASSEMBLY, DRUM
26	697777	SCREW, 11-16 X 7/8 (6)
27	697694	SEAL, DRUM
28	61894	HEATER, THERMOSTAT
29	3390646	SCREW, 8-18 X 5/16 (2)
30	3390647	SCREW, 8-18 X 1/2 (2)
31	697770	SEAL, COVER PLATE
32	3390788	LENS, DRUM LIGHT
33	3391293	SEAL, TRANSITION DUCT
34	3387223	ELECTRODE, SENSOR

35	3390935	CLIP, DUCT LOCATOR
36	98518	SCREW (2)
37	697772	WHEEL, BLOWER HARNESS (3)
38	3389445	DUCT, TRANSITION (INCLUDES ILLUS. NO.33)
39	697366	PLATE, BLOWER (INCLUDES ILLUS. NO. 60)
42	341146	THERMOSTAT, OPERATING 150~F (66~C) (ALT.)
42	660039	THERMOSTAT 150~ F (65.6~C)
43	695240	SCREW, 8-18 X 1/2
44	697363	HOUSING, BLOWER
45	3388909	LINT DUCT ASSEMBLY (INCLUDES ILLUS. NO. 7 & 13)
46	697715	BOX, HEATER (2)
47	3389946	THERMAL CUTOFF
48	696397	FIXED, THERMOSTAT
49	3389647	BRACKET, HEATER MOUNTING
50	3391927	LIMITER, THERMAL
51	3389644	SCREEN, LINT
52	697767	GRILLE, OUTLET
53	697563	BULKHEAD, FRONT

LT7000XVW0 HARNES

WIRING HARNESS PARTS

- 19
- 20
- 21
- 22
- 23

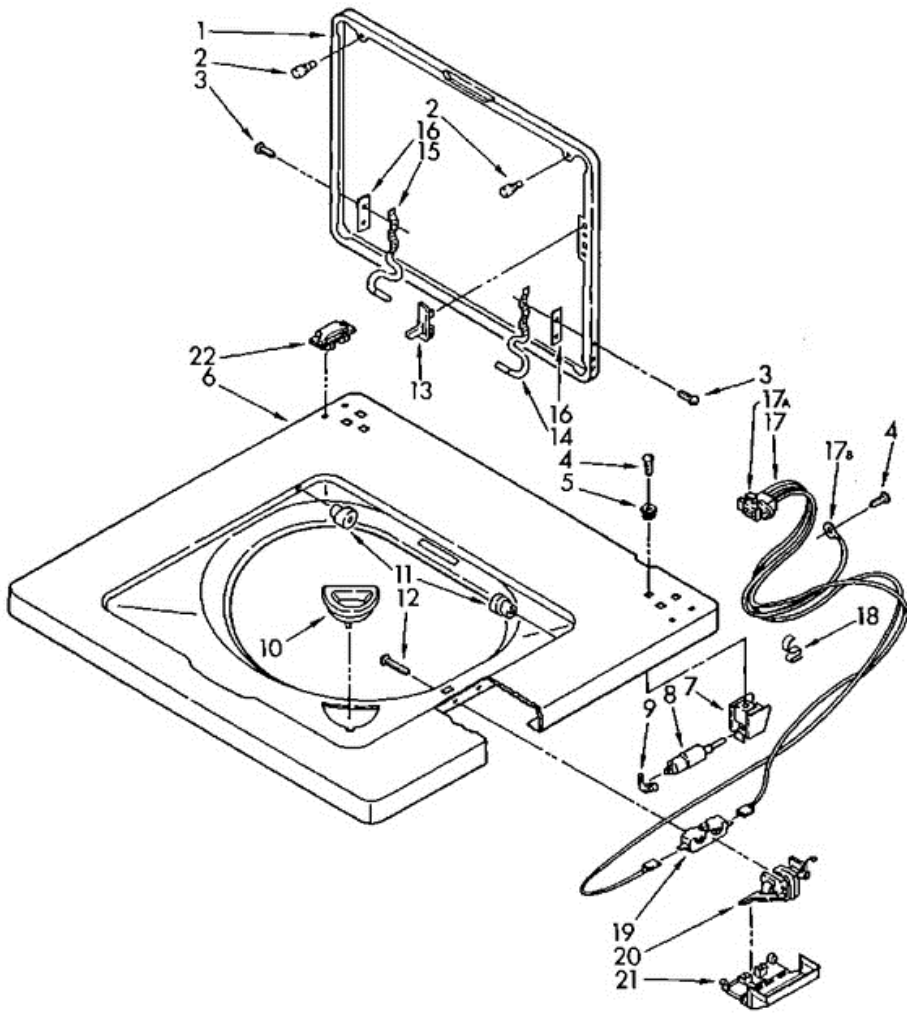




LT7000XVW0 HARNES

1	3347243	CONNECTOR, 5 WAY (USES TERMINAL 352088)
1	3350130	PLUG, 3 WAY (USES TERMINAL 94614)
1	3350211	RECEPTACLE, 3 WAY (USES TERMINAL 94614)
1	3391920	HARNESS - WASHER
1	352089	BLOCK, DISCONNECT - TIMER (TERMINAL 352088)
1	62505	BLOCK, DISCONNECT (USES TERMINAL 352088)
2	3388851	CHANNEL ASSEMBLY (LEFT HAND SIDE)
3	3388850	CHANNEL ASSEMBLY (RIGHT HAND SIDE)
4	3390609	SHIELD, HARNESS
5	3350124	HOSE, PRESSURE SWITCH
6	3390496	CLIP, HARNESS
7	697775	SCREW, 10-16 X 1/2 (6)
8	685463	KIT, WIRE GROUNDING
9	132848	SCREW, 10-24 X 1
10	685449	WIRE
11	120361	NUT, HEX
12	22965	STRAP, GROUNDING
13	9415810	BOLT, 5/16-18 X 1/2 (4)
14	9413447	NUT, HEX (4)
15	3390607	SHIELD, FRONT
16	3390336	SHIELD, THERMOSTAT
17	687128	SCREW, 10-16 X 1/2
18	3391249	CLIP, HARNESS (2)
19	358736	INSULATOR
20	358763	TERMINAL, FEMALE
21	374230	BLOCK, TERMINAL
22	352088	TERMINAL, FEMALE
23	94613	TERMINAL, (MALE)
23	94614	TERMINAL (FEMALE)
24	63523	PROTECTOR, HARNESS

LT7000XVW0 CUBIERTA





LT7000XVW0 CUBIERTA

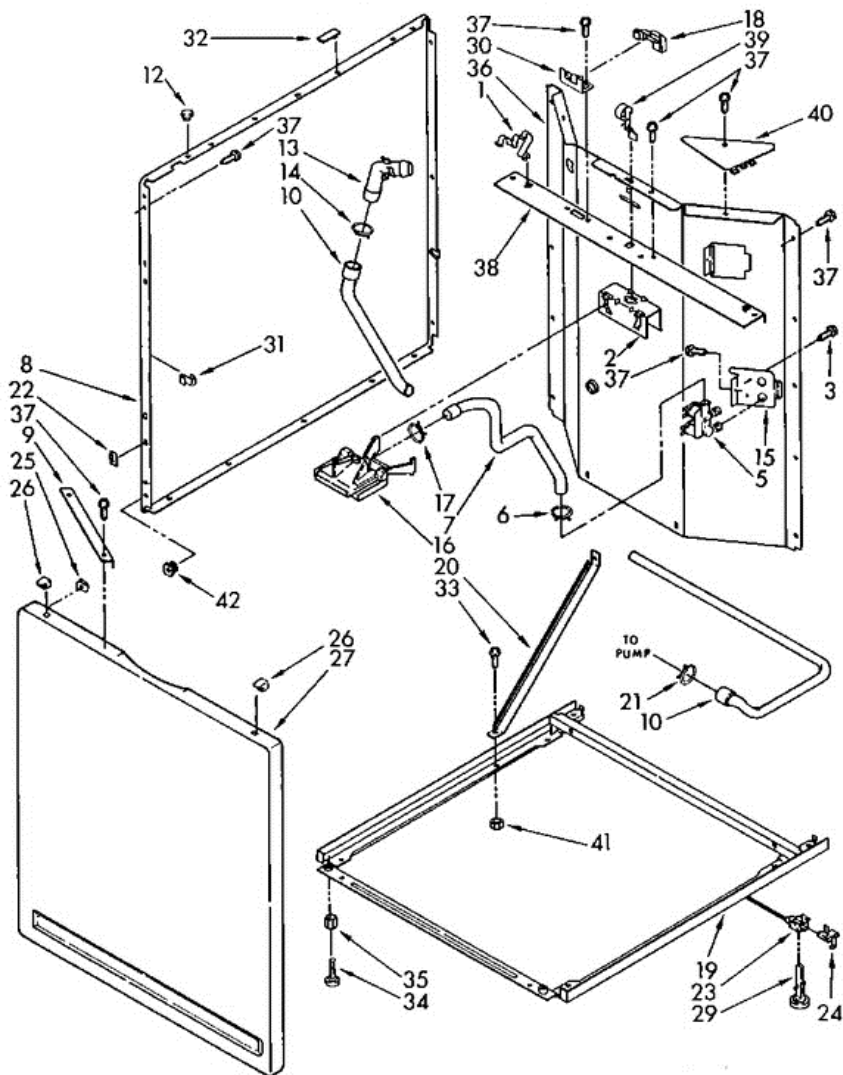
1	3354570	LID, TOP (WHITE)
1	3354571	LID, TOP (ALMOND)
2	93770	BUMPER, LID (2)
3	3351355	SCREW AND WASHER
4	343641	SCREW, 10-16 X 1/2
5	692400	NUT, PUSH-IN (2)
6	3349817	TOP, CONSOLE (WHITE)
6	3349818	TOP, CONSOLE (ALMOND)
7	3350099	BRACKET, MOUNTING (2)
8	3350152	RETAINER, LID ASSEMBLY (2)
9	3350828	CLIP, RETAINER (2)
10	63289	DISPENSER, BLEACH
11	3391899	HINGE, BEARING (2)
12	354764	SCREW AND WASHER
13	358684	STRIKE, LID
14	3350101	HINGE, R.H.
15	3350102	HINGE, L.H.
16	21097	PAD, HINGE (2)
17	3350212	PLUG, 3-WAY (USES TERMINAL 94613)
17	3350213	HARNESS, LID SWITCH
17	693216	TERMINAL, RING
18	90016	CLIP, WIRE (4)
19	661517	SWITCH, LID
20	357347	ACTUATOR, SWITCH
21	359231	SHIELD, LID SWITCH
22	3390481	LOCATOR, TOP

Distribuidor Autorizado

SurteRápido.com

Venta de Refacciones
Electrodomesticas

LT7000XVW0 GABINETE LAV.



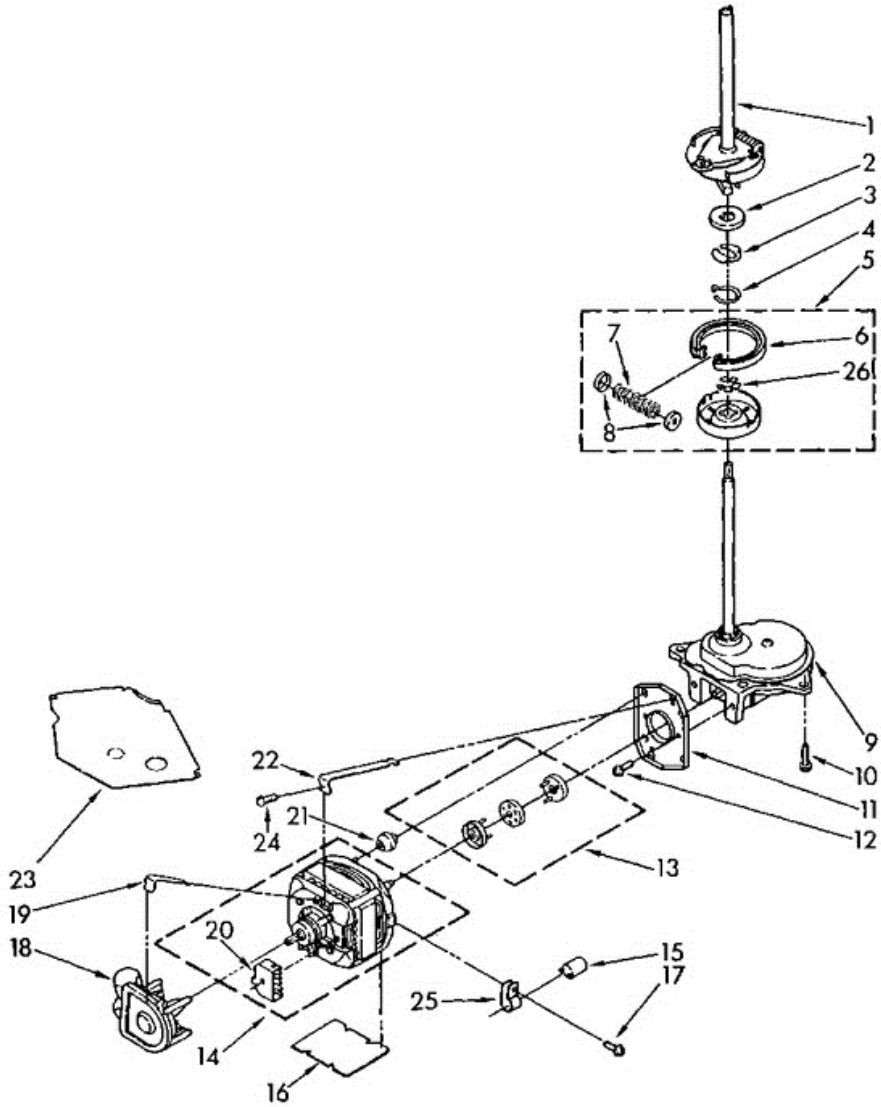


LT7000XVW0 GABINETE LAV.

1	3349770	CLIP, SPRING TOP (2)
2	3349768	BRACKET, VACUUM
3	62863	SCREW, MIXING VALVE MOUNTING (2) (10-16 X 3/8)
5	358992	VALVE, WATER MIXING
6	660635	CLAMP, HOSE
7	3352236	HOSE, WATER INLET
8	3349455	PANEL, SIDE (2) (WHITE)
8	3349456	PANEL, SIDE (2)(ALMOND)
9	3350745	BRACE, FRONT PANEL
10	3350142	HOSE, DRAIN
12	660975	PLUG, TOP TO CABINET (2)
12	689587	(ALT.)
12	694010	(ALT.)
13	356739	CONNECTOR, HOSE
14	356138	CLAMP, HOSE
15	3349673	BRACKET, VALVE
16	387606	THERMISTER, INLET
17	371503	CLAMP, HOSE
18	3350145	SHIELD, LID SWITCH
19	3349323	BASE, CABINET
20	3388857	BRACKET, BASE
21	660628	CLAMP, HOSE
22	237823	CLIP, FRONT PANEL (2)
23	3349310	LINK, LEVELING
24	359364	CLIP, LEVELING MECHANISM (2)
25	98234	CLIP, GROUND
26	345670	LOCK, TOP (2)
27	3349499	PANEL, FRONT (WHITE)
27	3349500	PANEL, FRONT (ALMOND)
29	358594	FOOT, REAR (2)
30	3350144	BRACKET, LID SWITCH
31	694398	PAD, EXTRUDED
32	352292	NUT, PUSH-IN (2)

33	9415810	SCREW, 5/16-18 X 1/2 (2)
34	389102	FOOT, FRONT (2)
35	124829	NUT, JAM (2)
36	3349493	PANEL, REAR (WASHER)
37	697775	SCREW, 10-16 X 1/2
38	3349697	RAIL, BACK TOP
39	3350135	SPRING, LEVER BRACKET
40	3390608	SHIELD, CORNER RIGHT REAR
40	3390611	SHIELD, CORNER (LEFT REAR)
41	9413447	NUT, HEX (2)
42	352292	NUT, PUSH-IN (2)

LT7000XVW0 MOTOR

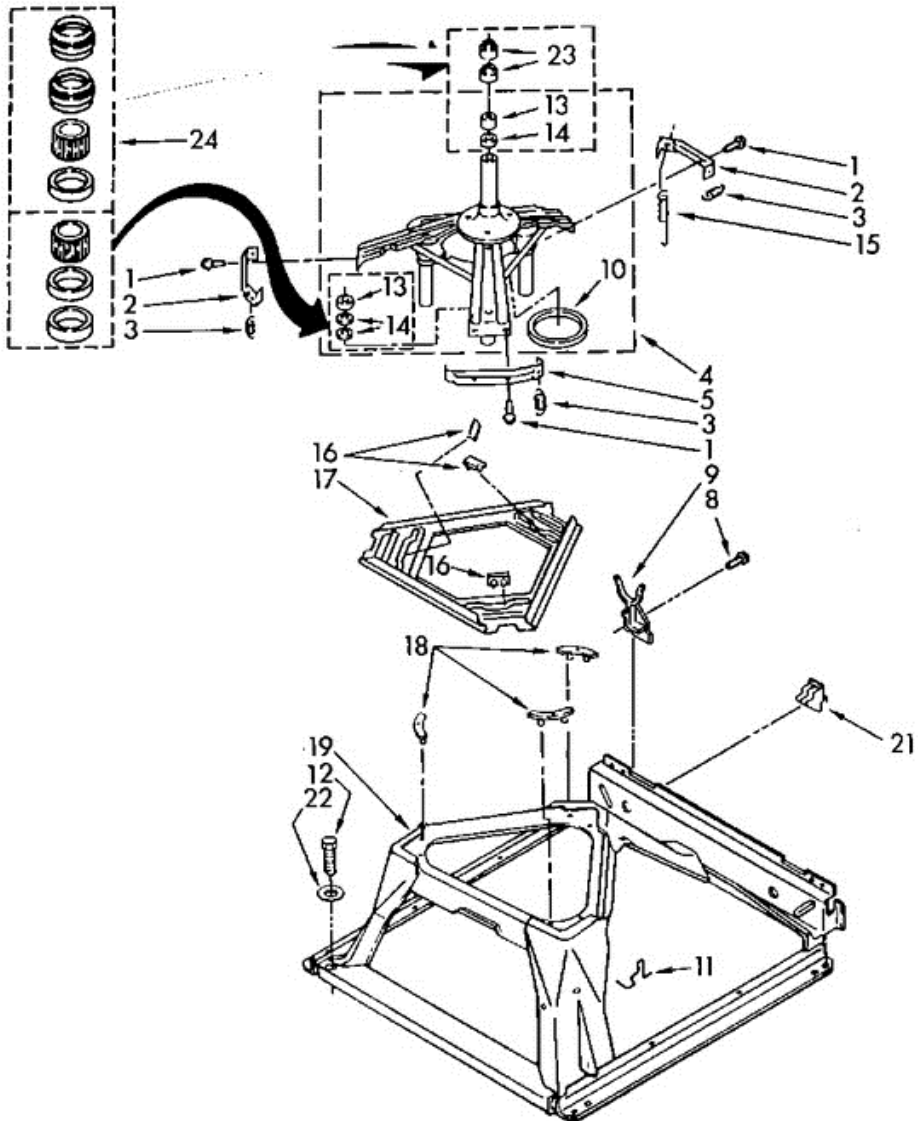




LT7000XVW0 MOTOR

1	388951	BRAKE AND DRIVE TUBE (COMPLETE)
2	63292	WASHER, SPIN TUBE THRUST
3	62697	RING, SPIN TUBE SUPPORT
4	63283	RING, RETAINER
5	3351343	CLUTCH (COMPLETE)
6	388190	BAND AND LINING (INCLUDES ILLUS. 7 & 8)
7	387712	SPRING, CLUTCH
8	62646	CAP, CLUTCH SPRING (2)
9	389246	GEARCASE (COMPLETE)
10	62735	SCREW, 5/16-24 X 3/16 (3)
11	62611	PLATE, MOTOR MOUNT TO GEARCASE
12	98062	SCREW, 5/16-24 X 5/8 (2)
13	62672	COUPLING, MOTOR & ISOLATING
14	3349644	MOTOR, MAIN DRIVE
15	357021	CAPACITOR, MOTOR START
16	3351341	PLATE, MOTOR
17	9420601	SCREW, 10-16X5/16
18	3352492	PUMP (COMPLETE)
19	62700	RETAINER, PUMP
20	62850	SWITCH, MAIN DRIVE MOTOR
21	62691	GROMMET, MOTOR (4)
22	3349637	RETAINER, MOTOR (2)
23	3349282	SHIELD, TUB TO MOTOR
24	357640	SCREW (2) NO.10-16 X 5/8
25	357030	CLAMP, CAPACITOR
26	3355454	CLIP, ANTI-RATTLE

LT7000XVW0 BASE

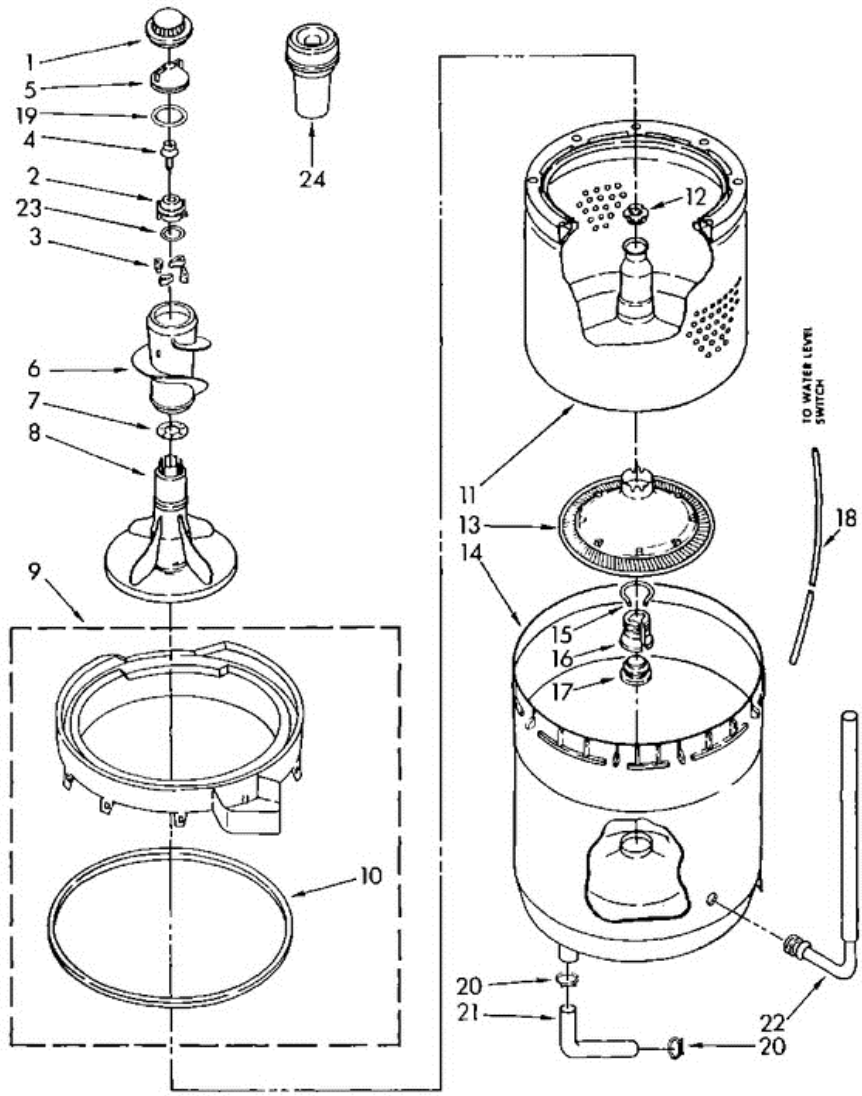




LT7000XVW0 BASE

1	98610	SCREW, BRACKET MOUNTING (10-16 X 5/8)
2	64067	BRACKET, SPRING OUTER (2)
3	63907	SPRING, SUSPENSION (3)
4	389350	SUPPORT & BRAKE, TUB
5	64065	BRACKET, SPRING OUTER (L.F.)
8	697775	SCREW, 10-16 X 1/2
9	3350506	RETAINER, HOSE
10	63134	RING, SOUND DEADENING
11	63806	RETAINER, SUSPENSION SPRING
12	3349332	SCREW, SHOULDER (2)
13	3347047	BEARING, CENTERPOST (2)
14	357409	SEAL, CENTERPOST (3)
15	388492	SPRING, COUNTERWEIGHT
16	62568	PAD, PLATE
17	389299	PLATE, SUSPENSION (INCLUDES ILLUS. 16)
18	62602	PAD, BASE
19	3349343	BASE ASSEMBLY (INCLUDES ILLUS. 6, 7, 18 & 26)
21	3349749	RESTRAINER, BASE
22	3349340	WASHER (2)
23	356934	SEAL, CENTERPOST (2)
24	285203	CENTERPOST BEARING KIT (INCLUDES 13, 14 & 23)

LT7000XVW0 TINAS

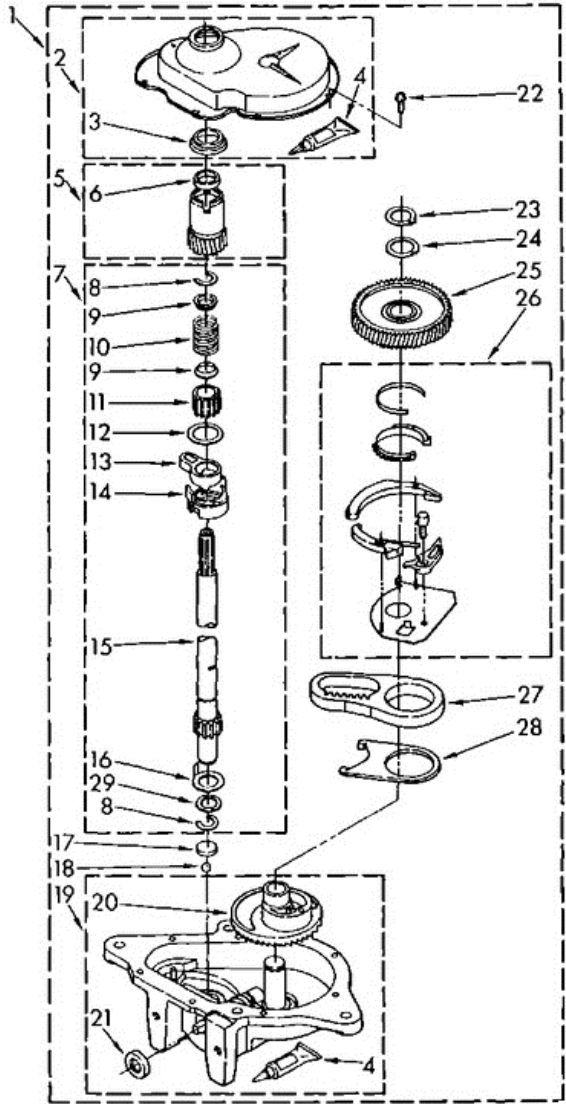




LT7000XVW0 TINAS

1	63911	CAP, AGITATOR
2	3351019	CAM DRIVEN
3	387091	DOG, AGITATOR (4)
4	358237	SCREW
5	387094	CAP, BARRIER
6	3349610	MOVER, AGITATOR CLUTCH
7	3351014	SPACER, THRUST
8	3349578	AGITATOR
9	63851	TUB RING
10	63852	GASKET, TUB RING
11	3352234	BASKET
12	21366	NUT, SPANNER
13	62941	FILTER, PLATE
14	3349291	TUB
15	62942	LOCK, FILTER
16	389140	BLOCK, DRIVE
17	383727	GASKET, CENTERPOST
18	3350124	HOSE, PRESSURE SWITCH
19	3348855	SEAL-INNER CAP
20	371502	CLAMP HOSE (2)
21	62731	HOSE, PUMP TO TUB
22	3349290	HOSE, BLEACH
23	64002	SEAL, AGITATOR
24	3350834	DISPENSER

LT7000XVW0 TRANSMISION

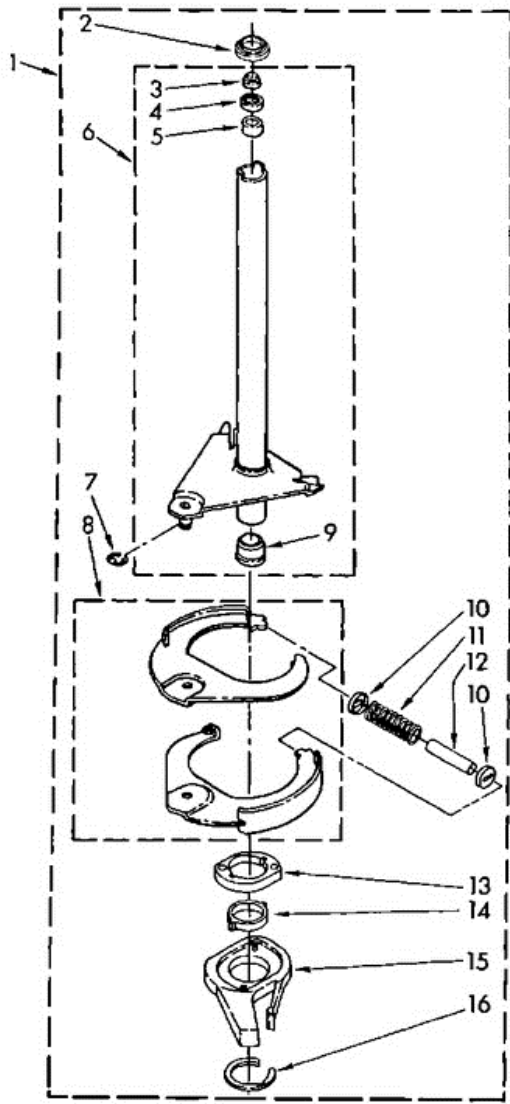




LT7000XVW0 TRANSMISION

1	389246	GEARCASE (COMPLETE)
2	62685	COVER, GEARCASE
3	3347188	SEAL, GEARCASE COVER
4	285195	SEALER, GASKET (.20 FL. OZ.) (6 ML)
5	63320	PINION, SPIN (INCLUDES ITEM 25)
6	356427	SEAL, SPIN PINION
7	389387	SHAFT, AGITSTOR (COMPLETE)
8	90369	RING, RETAINING (2)
9	62677	RETAINER, SPRING (2)
10	62676	SPRING, AGITATOR
11	63273	GEAR, AGITATOR
12	62619	WASHER, AGITATOR GEAR
13	62580	FOLLOWER, CAM
14	62581	CAM, AGITATOR
15	389231	SHAFT, AGITATOR
16	62618	WASHER, CAM THRUST
17	16018	BEARING, THRUST
18	85529	BALL, BEARING
19	389229	BOTTOM AND PINION, GEARCASE
20	62528	GEAR, MAIN DRIVE
21	285352	SEAL, THRUST PLUG
22	90864	SCREW, GEARCASE COVER MOUNTING (8)
23	95082	RING, RETAINING
24	285292	WASHER KIT, THRUST
25	62570	GEAR, SPIN
26	388253	NEUTRAL ASSEMBLY
27	62534	RACK, CONNECTING
28	62621	ACTUATOR, SHIFT
29	388815	WASHER, INTERMEDIATE

LT7000XVW0 FLECHA HUECA

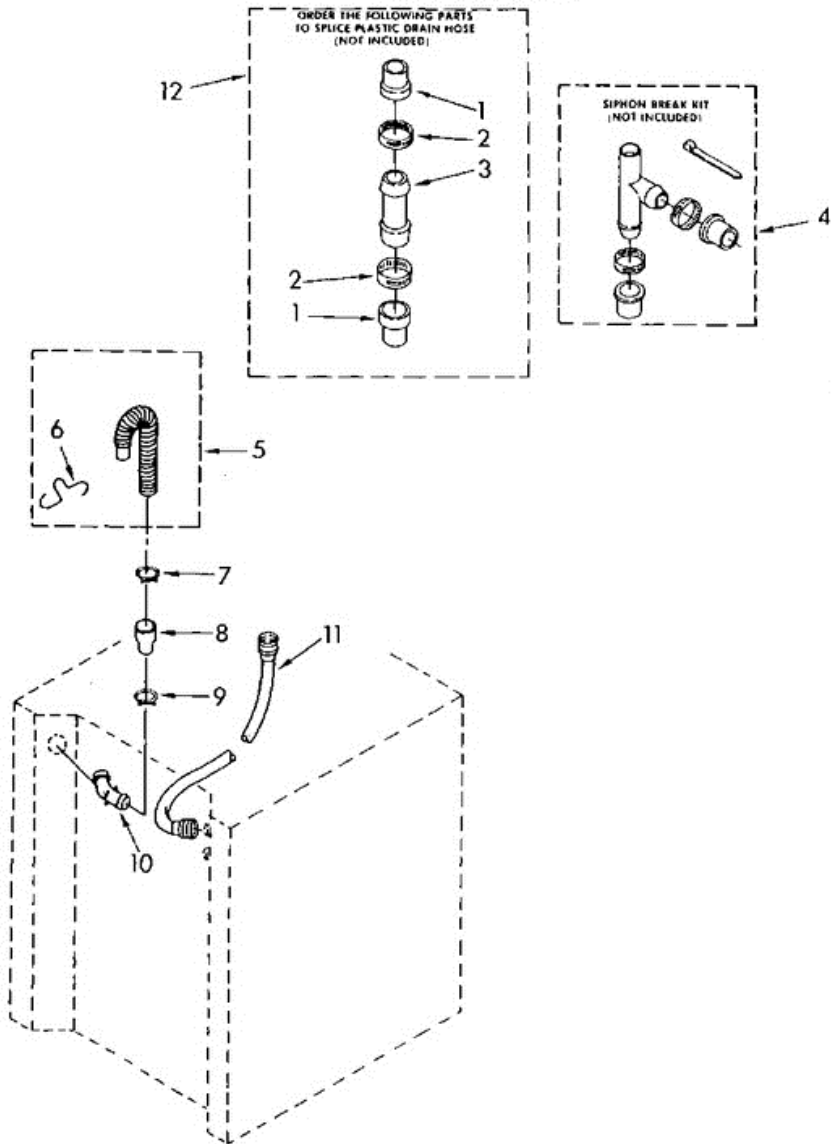




LT7000XVW0 FLECHA HUECA

1	387948	BRAKE AND DRIVE TUBE (COMPLETE)
2	62658	RING, THRUST
3	91939	SEAL. OIL
4	356427	SEAL, DRIVE TUBE
5	356937	SPACER, DRIVE TUBE
6	64027	TUBE, BASKET DRIVE (INCLUDES ILLUS. 3, 4, 5 & 9)
7	64035	RING, RETAINING
8	64232	SHOE, BRAKE
9	62703	``T`` BEARING, SPIN TUBE
10	62648	CAP, BRAKE SPRING (2)
11	63748	SPRING, BRAKE
12	62909	SLEEVE, BRAKE SPRING
13	3348288	ALT.)
13	63023	ALT.)
13	661516	CAM, BRAKE RELEASE
14	63022	SLEEVE, CAM
15	64194	DRIVER, BRAKE CAM
16	90368	RING, RETAINING

LT7000XVW0 SISTEMA DE AGUA





LT7000XVW0 SISTEMA DE AGUA

1	285321	SLEEVE KIT, PLASTIC DRAIN HOSE
2	65349	CLAMP, HOSE (2)
3	16272	CONNECTOR, STRAIGHT
4	285320	SIPHON BREAK KIT (NOT INCLUDED)
5	387325	HOSE, CORRUGATED PLASTIC DRAIN (5-1/2 FT.)
5	388418	HOSE, CORRUGATED PLASTIC DRAIN (10 FT.)
6	357247	RETAINER, DRAIN HOSE
7	371504	CLAMP, HOSE
8	384496	COUPLING, HOSE
9	370445	CLAMP, HOSE
10	356739	CONNECTOR, HOSE
11	3349716	HOSE, INLET (2)
12	285442	CONNECTOR KIT, PLASTIC DRAIN HOSE