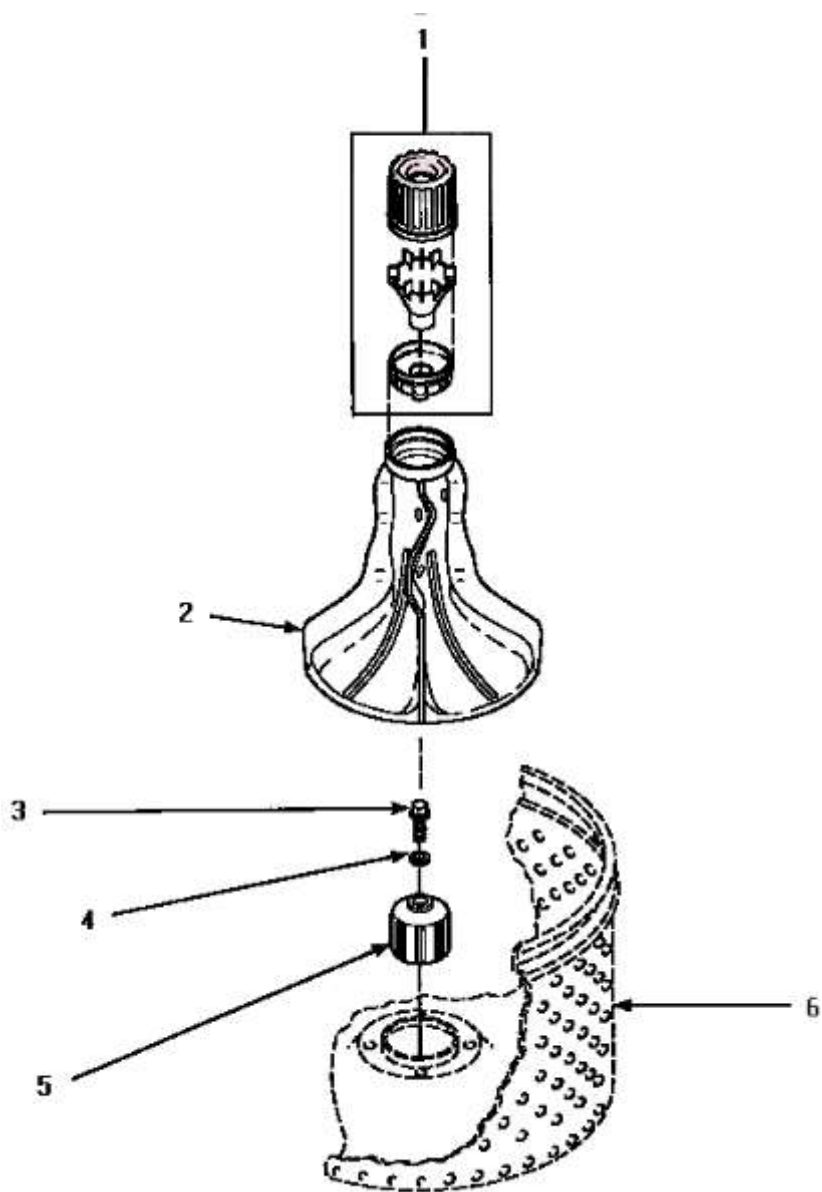


## LW3502L

1	27197	RING,RETAINING - NLA
2	Y36570	SHAFT,OUTPUT - NLA
3	35092	WASHER,3628ID X 1.00 X .056 - NLA
4	33223P	ASSY,TRANSMISSION CASE
5	27003	PINION,AGITATOR
6	29161	GEAR,REDUCTION
7	1500091	WASHER
8	29273	SCREW,1/4-20 X 3/8
9	27243P	OIL,CW TRANSMISSION F-
10	26577	ASSY,GEAR & STUD
11	27030	SCREW,1/4-20 SPECIAL
12	21456	LOCKWASHER,1/4 INTSHKP - NLA
13	26509	WASHER
14	Y29160	PINION,DRIVE
15	34853	SHAFT,INPUT
16	27172	PIN,DOWEL
17	32814	SCREW,1/4-20X7/8 SERRA
18	38290	TRANSMISSION COVER
19	26493	SLIDE
20	Y31526	RACK - NLA
NI	37577P	LOCTITE

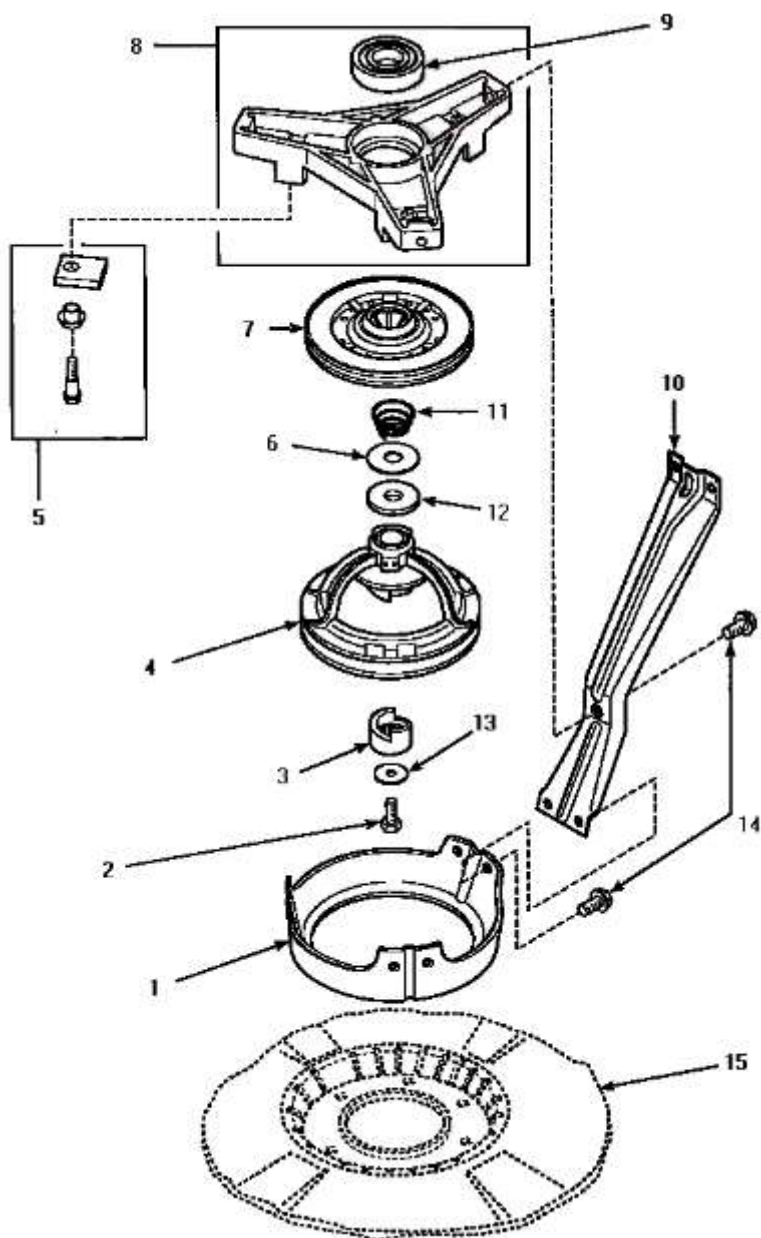
LW3502L



## LW3502L

1	CH807	FABRIC SOFTENER DISPENSER
2	33174	AGITATOR
3	34288	SHOULDER SCREW
4	WP36472	O-RING
5	R9900189	DRIVE BELL AND SEAL KIT
6	Y00000000	SEE NOTE

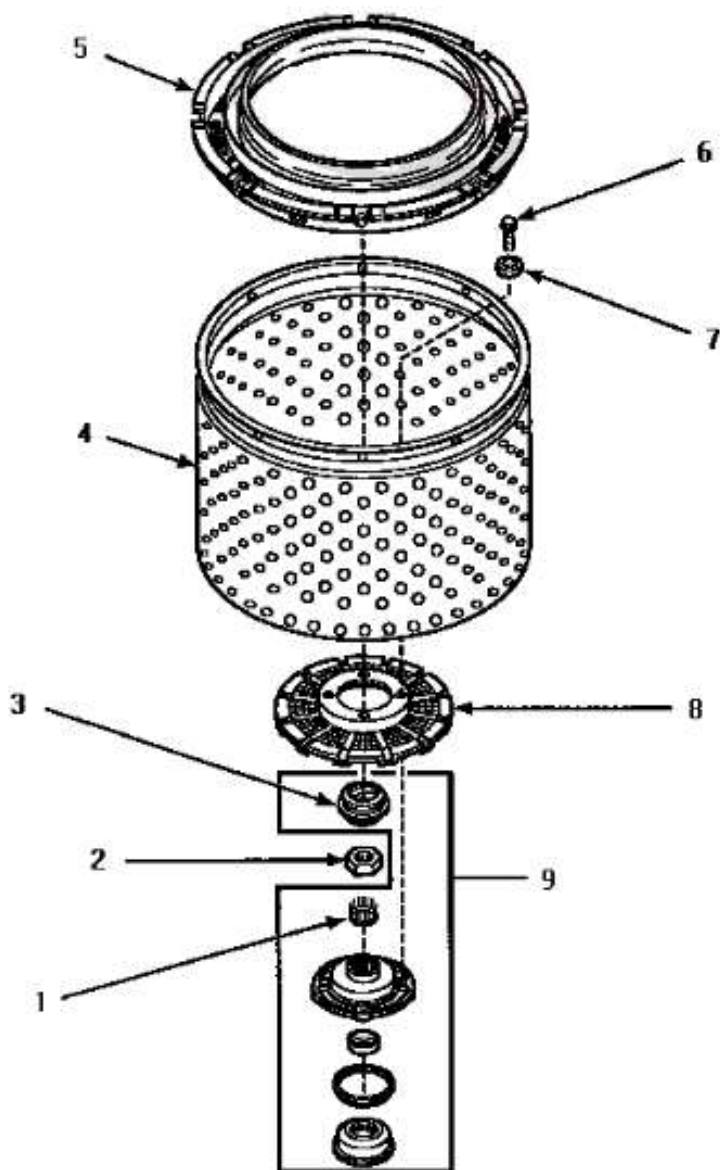
# LW3502L



## LW3502L

1	34776	DISPENSER,BLEACH - NLA
2	36437	HINGE,LID R
3	35112	BUMPER,HINGE-STOP
4	33446	BUSHING
5	36438	HINGE,LID LEFT
6	34338	GASKET,HINGE
7	34337	SCREW
8	21685	BUMPER
9	33541HP	LID,W/INSTRUCTIONS
9	33541LP	LID,W/INSTRUCTIONS
9	33541WP	LID,W/INSTRUCTIONS
10	37782	PANEL,BACK HOOD (USE 37782)
11	23962	SCREW,8B-18 X 3/8 IND
12	Y00000000	SEE NOTE
13	52909	SCREW,10B-16 X 1/2 HEX
14	211881	STRAIN RELIEF
15	24903	STICKER,DISCONNECT POW
17	40063901	HOLD-DOWN CLIP
20	34902HP	ASSY, TOP-DOMESTIC W/BLEACH
20	34902LP	ASSY, TOP-AMANA
20	34902WP	ASSY, TOP-AMANA - NLA
21	36034	BRACKET,DIRECTOR-MODULE
22	56534	BARREL,SUPPORT
23	36035	SCREW,8-18X3/8 PHIL FLT HD
24	Y00000000	SEE NOTE
25	Y31644	SCREW,10-24T X 3/4 SEM

LW3502L

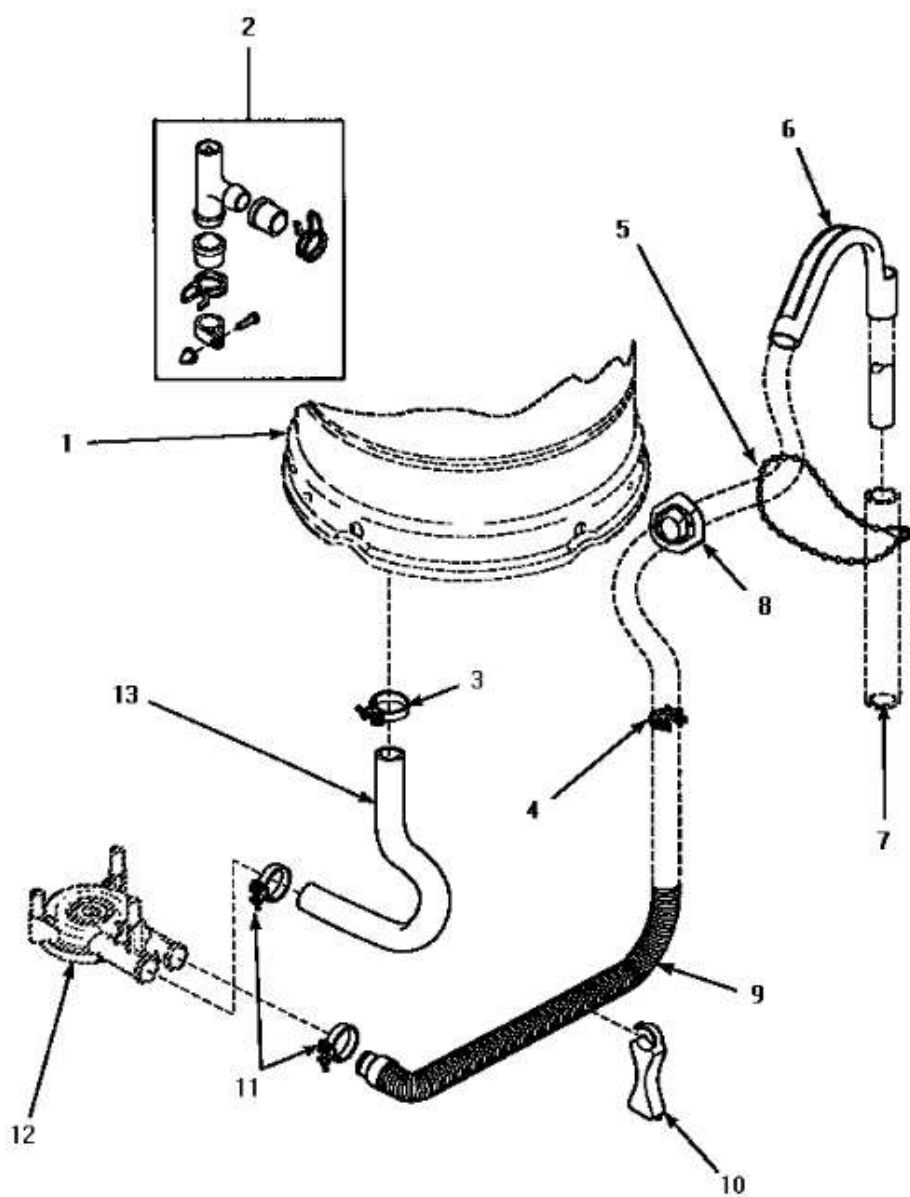


## LW3502L

1	29728	SPLINED INSERT
2	40016301	LOCKNUT
3	R9900189	HUB AND TRANSMISSION TUBE SEAL
4	39240P	WASHTUB W PORCELAIN
5	35035	GUARD,CLOTHES - NLA
6	27202	CAP SCREW
7	WP28094	GASKET
8	39371	LINT FILTER
9	495P3	HUB & SEAL KIT



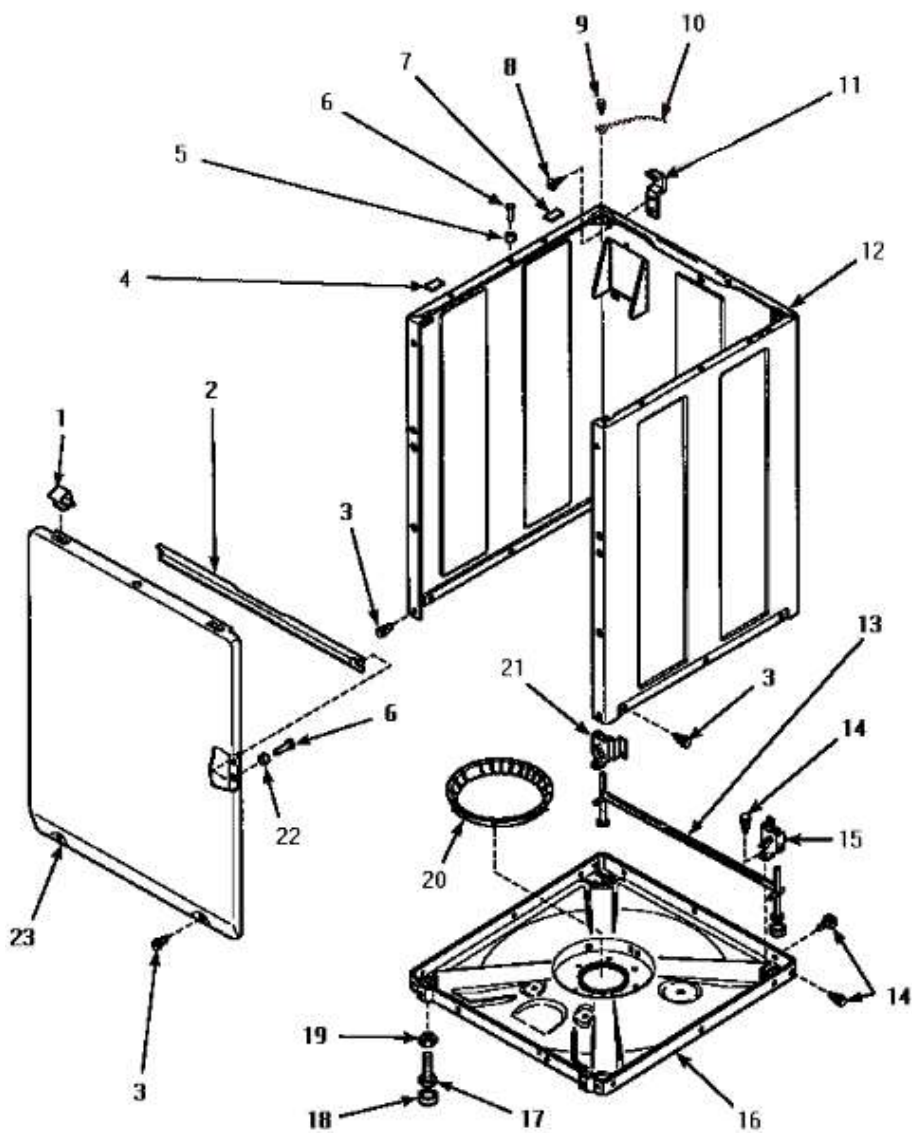
LW3502L



## LW3502L

1	Y00000000	SEE NOTE
2	562P3	SIPHON KIT
3	35384	HOSE CLAMP
4	36014	CLIP,RETAINER-HOSE - NLA
5	33489	STRAP,STANDPIPE BEAD
6	WP22003814	SLEEVE,DRAIN HOSE
7	Y00000000	SEE NOTE
8	32219	RELIEF,STRAIN
9	WP40053901	DRAIN HOSE
10	35487	SUPPORT,HOSE
11	35384	HOSE CLAMP
12	Y00000000	SEE NOTE
13	35753	HOSE,TUB TO PUMP-DDP
NI	451P3	DRAIN HOSE EXTENSION KIT

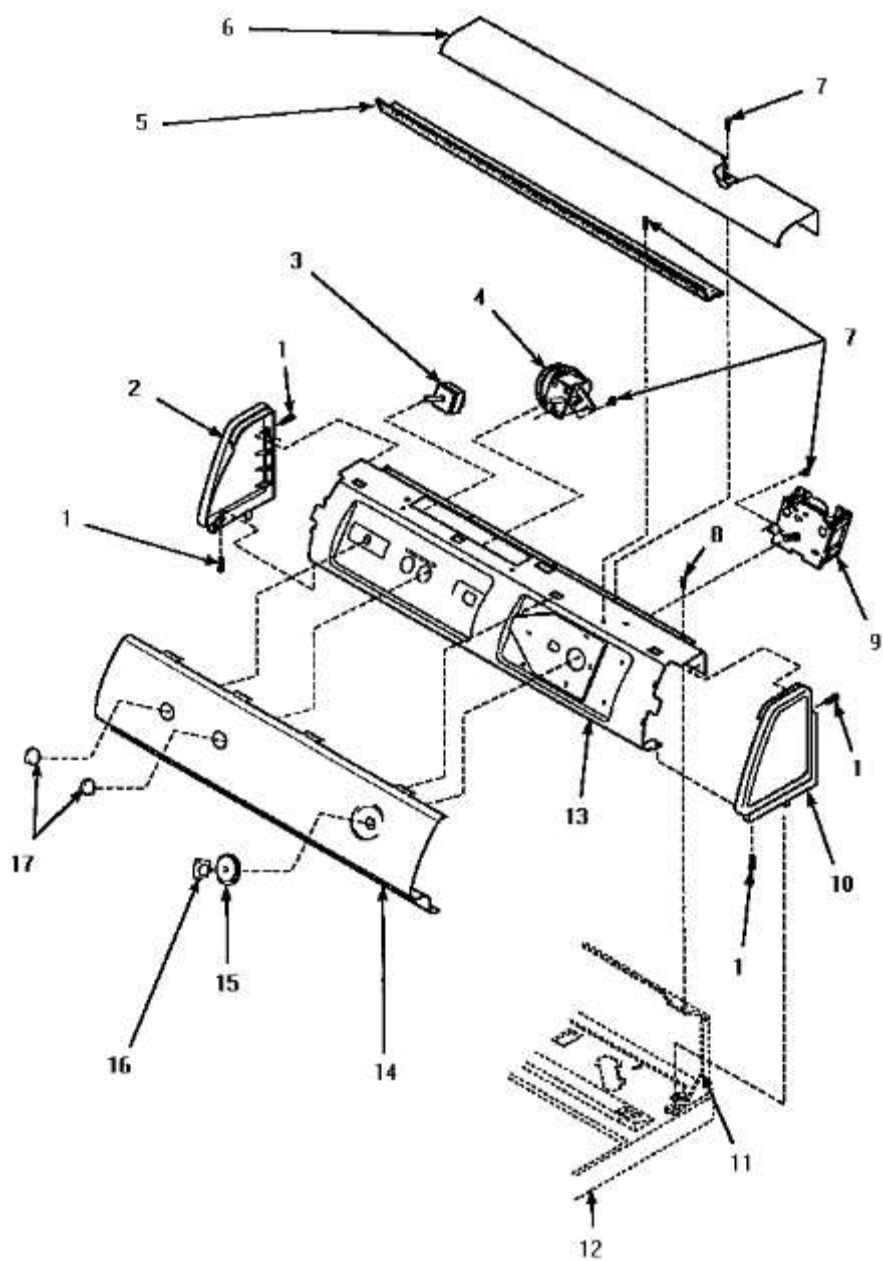
LW3502L



## LW3502L

1	35865	CLIP,HOLD-DOWN FRONT PANEL
2	Y35097	BRACE,FRT PNL
3	WP27001200	SCREW
4	Y56128	PAD,BUMPER - NLA
5	56079	GUIDE LUG
6	32671	SCREW,TAPPING
7	36226	PAD,BUMPER .25
8	34499	SCREW,No.10B X 1/4 TAP IN HX
9	56392	SCREW,8-18 X 3/8 TAPPI - NLA
10	Y00000000	SEE NOTE
11	Y27103	HINGE,HOLD-DOWN LUG - NLA
12	31669HP	KIT,SERVICE CABINET
12	38612LP	CABINET
12	38612WP	CABINET
13	34443	ASSY,LEG & STABILIER
14	35148	SCREW,1/4-14 X 3/8 HX HD
15	36036	BRACKET,SLL-RIGHT
16	34434P	ASSY NUT/LEG BASE - NLA
17	22003428	LEVELING LEG
18	34318	RUBBER FOOT
19	WP210385	LOCKNUT
20	36108	SNUBBER PAD & ISOLATOR - NLA
21	36037	BRACKET,SLL-LEFT
22	28102	LOCATOR,PANEL
23	34656HP	ASSY,FRONT PANEL
23	34656LP	ASSY,FRONT PANEL
23	34656WP	ASSY,FRONT PANEL

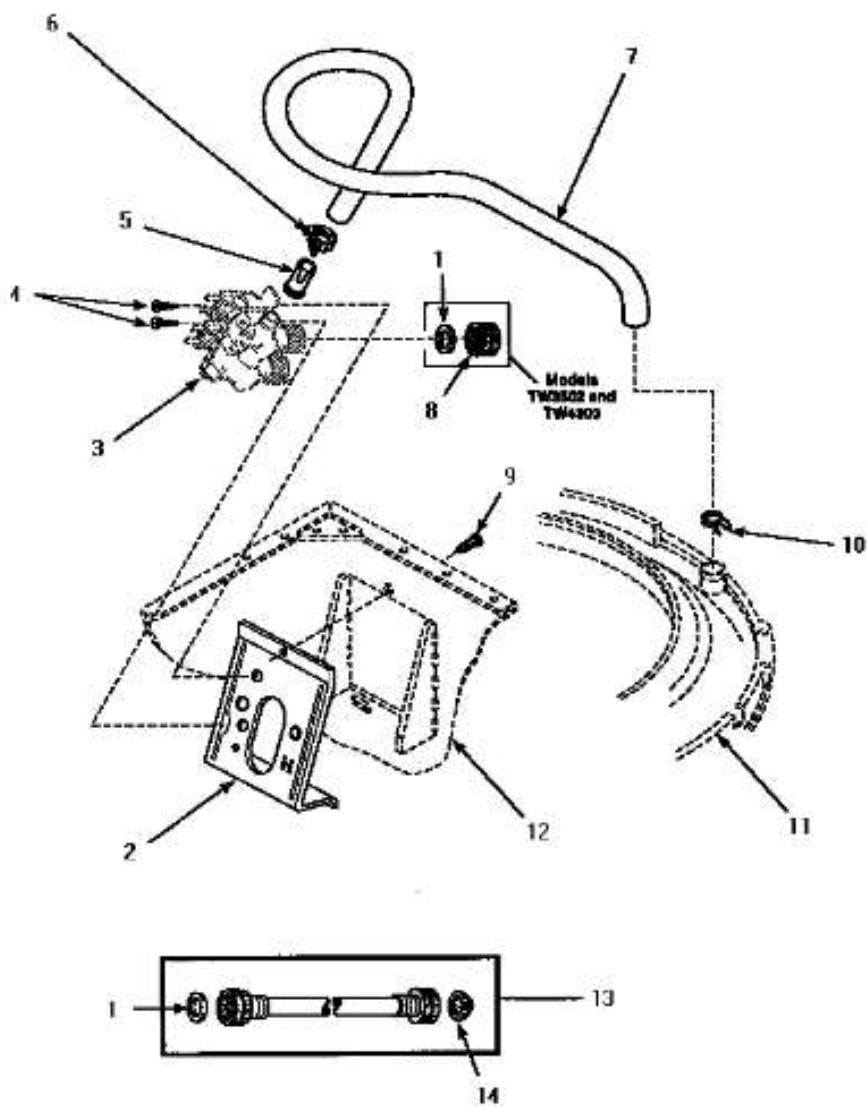
# LW3502L



## LW3502L

1	WP90767	SCREW,8B-18X3/8 SLT
2	34816	PANEL,END (BLK,L.H.)
3	35115	SWITCH,TEMPERATURE 3 P
4	WP40055101	PRESSURE SWITCH
5	Y34826	DIFFUSER,LAMP-CLEAR
6	34823	COVER,TOP
7	23962	SCREW,8B-18 X 3/8 IND
8	WP489355	SCREW,8-18 X 3/8 PHIL PAN HD
9	31239	TIMER,3 CYCLE - NLA
10	34815	PANEL,END R.H. (BLK)
11	Y00000000	SEE NOTE
12	Y00000000	SEE NOTE
13	34821	CONTROL MOUNTING PLATE
14	35317	PANEL,GRAPHIC-AMANA
15	34848	ASSY,TIMER SKIRT - NLA
16	WP34844	KNOB,TIMER
17	34847	ASSY,KNOB-ROTARY - NLA
	NOTE:	CONDUIT & WIRE ASSY. (BUY LOCALLY)

# LW3502L

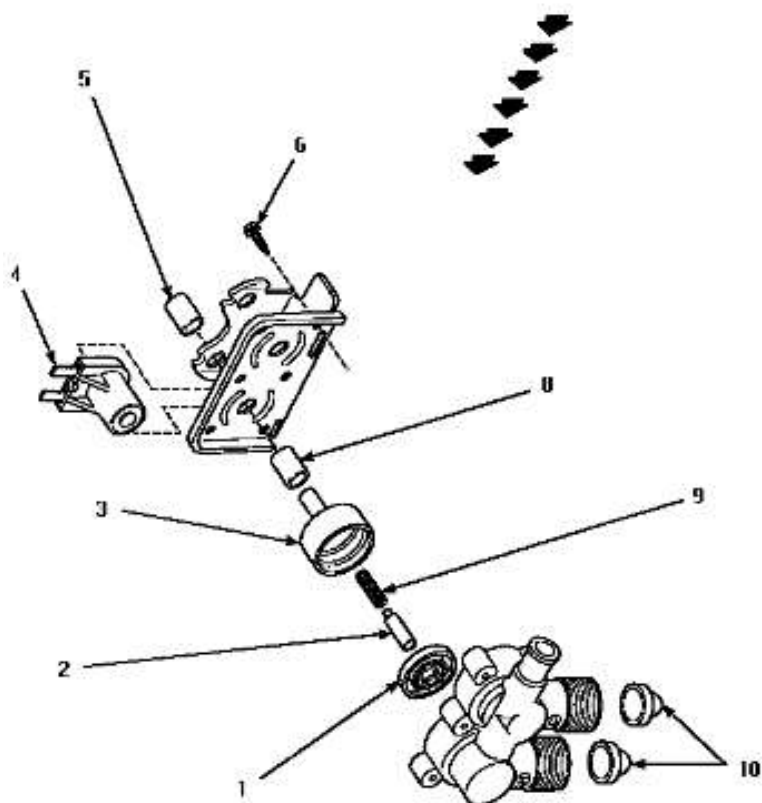
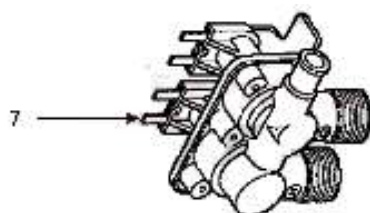


## LW3502L

1	20290	WASHER,19/32 IDX1.031
2	34972	MIXING VALVE MOUNTING BRACKET
3	Y00000000	SEE NOTE
4	56392	SCREW,8-18 X 3/8 TAPPI - NLA
5	34500	PREVENTOR,BACKFLOW
6	27643	HOSE CLAMP
7	38155	HOSE,MIX VALVE TO TUB
8	24145	CAP
9	WP27001200	SCREW
10	29210	HOSE CLAMP
11	Y00000000	SEE NOTE
12	Y00000000	SEE NOTE
13	202860	HOSE,WATER INLET 5 FEET
14	28605	WASHER,FILTER



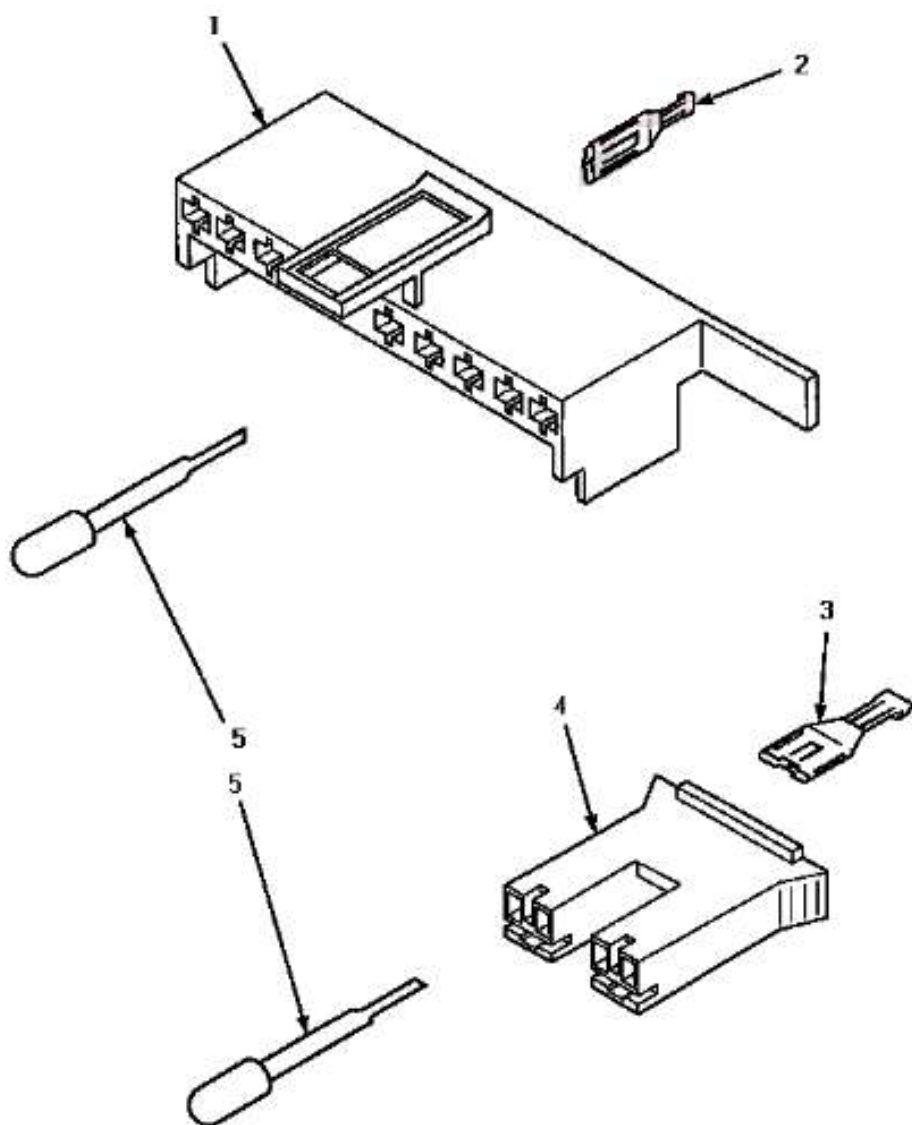
LW3502L



## LW3502L

1	R0606506	DIAPHRAGM
2	24132	ARMATURE
3	24130	GUIDE,ARMATURE
4	33930A	SOLENOID,MIXING VALVE - NLA
5	24128	SLEEVE, LONG
6	25817C	SCREW
7	34963P	VALVE,MIXING
8	24129	SLEEVE,SHORT
9	23224E	SPRING - NLA
10	WP22002960	INLET SCREEN

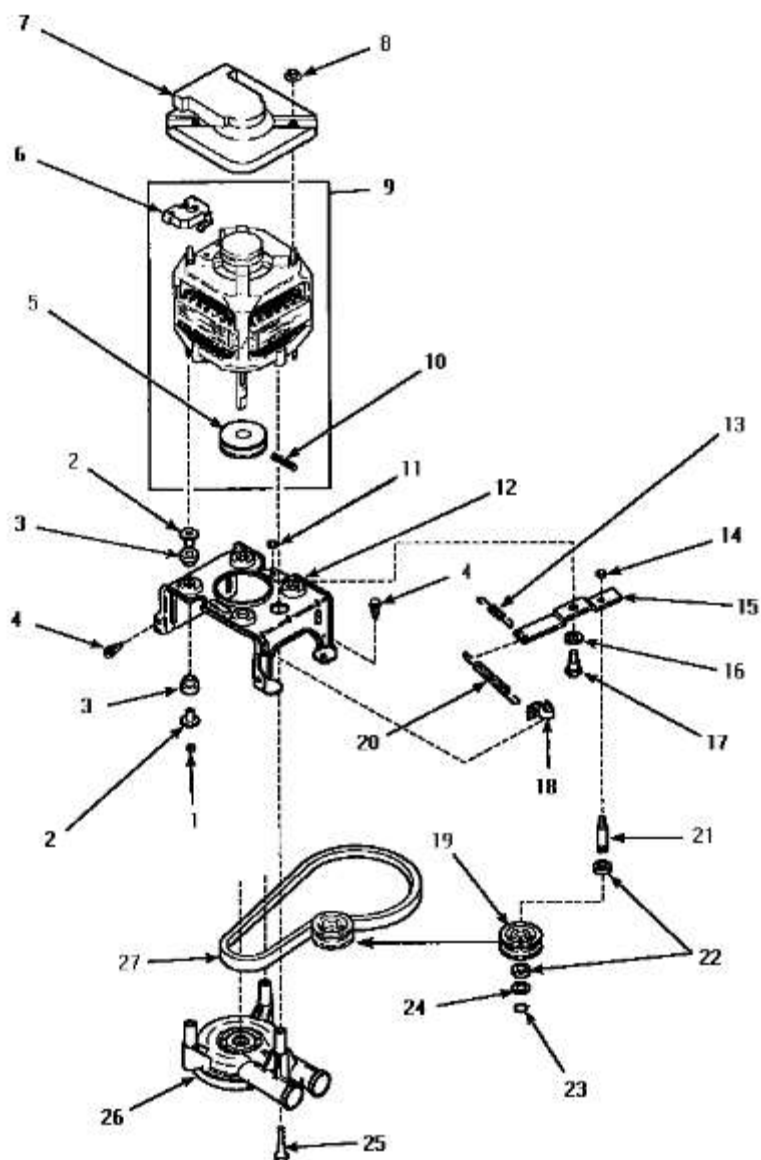
# LW3502L



## LW3502L

1	34677	10 CIRCUIT PLUG
2	Y00188	MOLEX TERMINAL (FOR ONE OR TWO WIRE APPLICATI - NLA
3	M0320585	SPADE TERMINAL(12 GAUGE)
4	WD35X5025	PLUG
4	34676	PLUG
5	283P4	TERMINAL EXTRACTOR TOOL

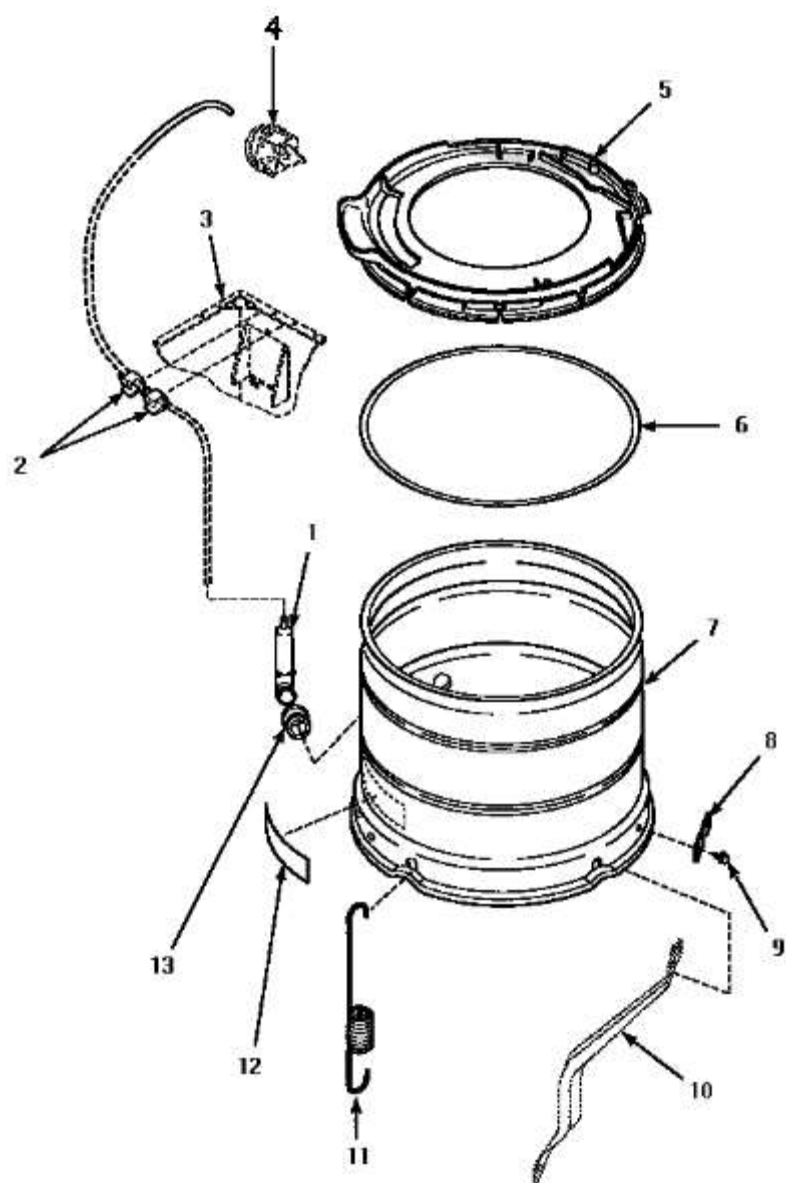
# LW3502L



## LW3502L

1	WP3400029	NUT
2	34791	POST,MOUNT-MOTOR
3	34788	MOUNT,MOTOR
4	WP27001200	SCREW-10 16 X.44
5	27171	PULLEY,MOTOR - NLA
6	35632P	SWITCH,MOTOR
7	WP40112301	MOTOR SHIELD
8	35139	PALNUT
9	WP27001215	MOTOR ASSEMBLIES
9	Y02390002	MOTOR ASSEMBLY,ONE SPEED,120
10	23750	PIN,ROLL
11	27001225	NUT,HEX JAM 1/4-20L
12	34890	BRACKET,MOTOR MOUNT - NLA
13	30620	SPRING,IDLER LEVER HEL - NLA
14	28803	LOCKNUT
15	40041002	IDLER LEVER
16	81392	WASHER
17	27229	SHOULDER BOLT
18	WP28849	CLIP,SPRING
19	28800P	WHEEL,IDLER
20	WP37366	SPRING
21	28802P	SHAFT,IDLER
22	Y29443	WASHER,FELT - NLA
23	WP23748	RING,RETAINING
24	WP52549	WASHER,501 ID X3/4 ODX
25	WP40063701	SCREW
26	35742P	PUMP ASSEMBLY
27	WP28808	BELT,AGITATE & SPIN
NI	258P3	KIT,CAPACITOR

LW3502L

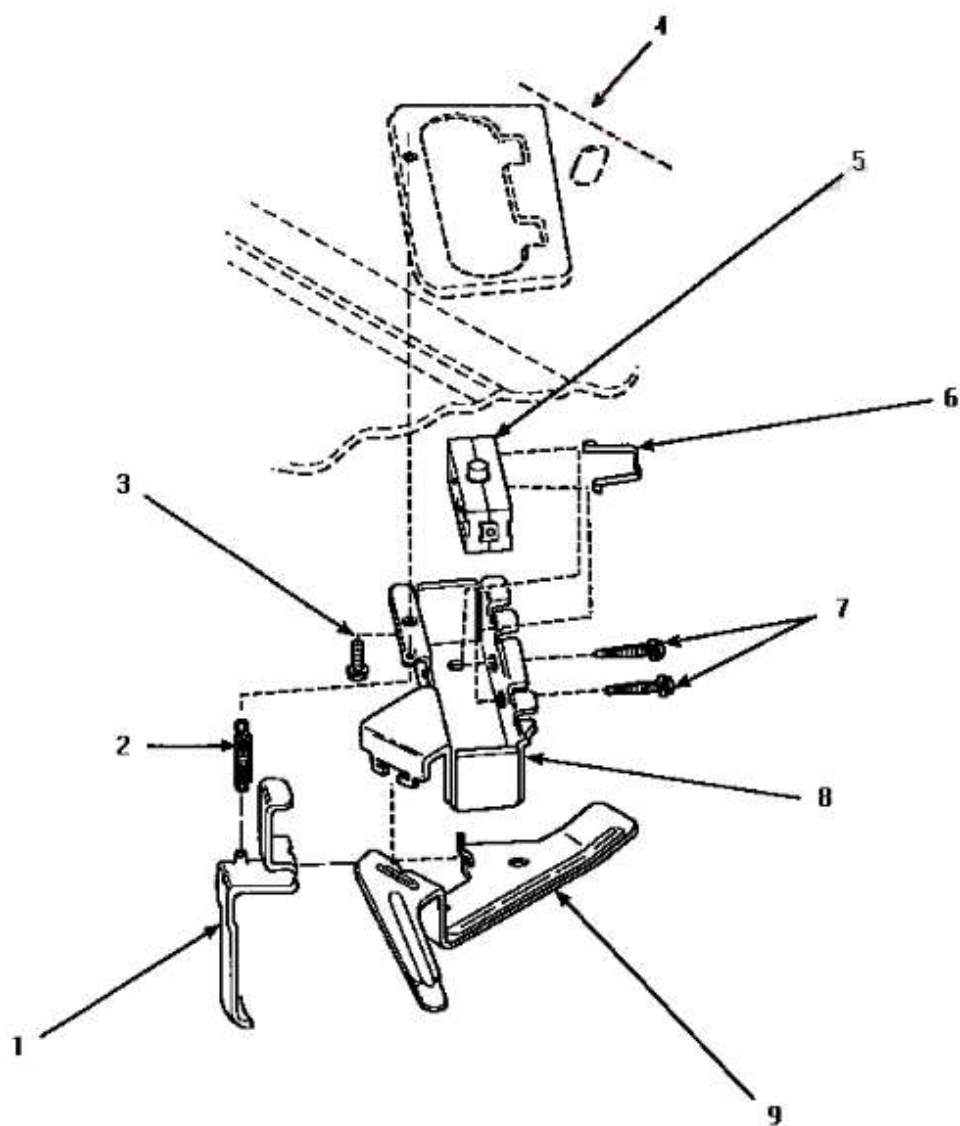


## LW3502L

1	30907	PRESSURE BULB
2	21036	CLIP,CABLE
3	Y00000000	SEE NOTE
4	Y00000000	SEE NOTE
5	36025P	OUTER TUB COVER ASSEMBLY
6	WP32857	GASKET,TUB COVER SMALL
7	34438P	ASSY,OUTER TUB
8	27926	PLATE,LEG .063
9	40128701	SCREW
10	Y00000000	SEE NOTE
11	35948	SPRING,LEG-LARGE TUB - NLA
12	500049	STICKER
13	29175	GROMMET
NI	39125	PRESSURE HOSE



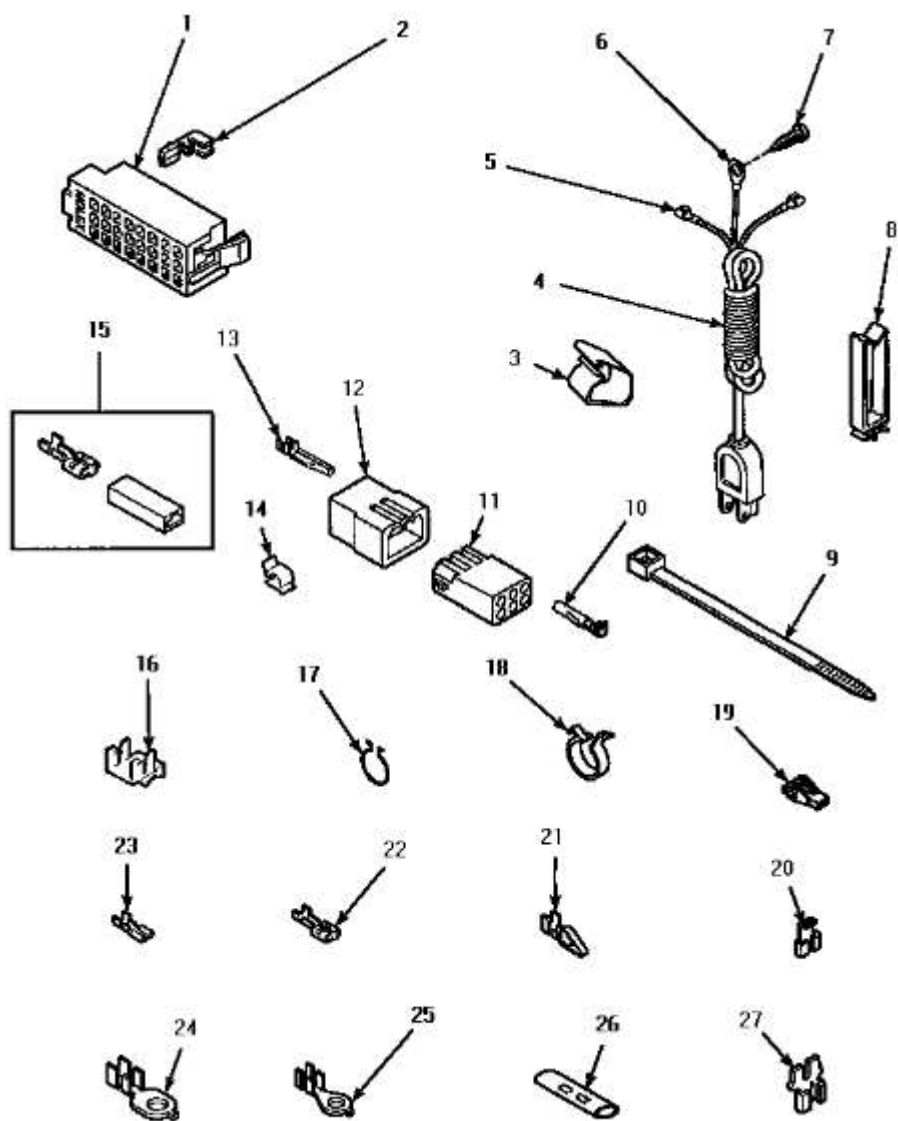
LW3502L



## LW3502L

1	33442	LEVER,UNBALANCED LOAD
2	33443	SPRING
3	23962	SCREW,8B-18 X 3/8 IND
4	Y00000000	SEE NOTE
5	33445	SWITCH
6	33433	CLIP,HOLDER-SWITCH - NLA
7	36510	SCREW
8	36497P	KIT,SWITCH HOLDER
9	33441	ARM,ACTUATOR

# LW3502L



## LW3502L

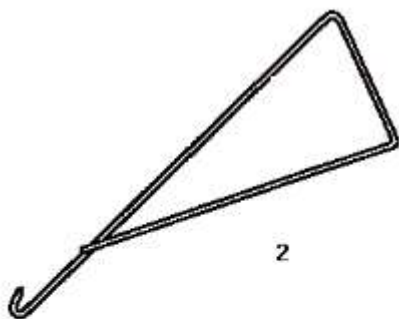
1	32746	HOUSING,R.H.-24 POSITI
1	34123	HOUSING,LH -24 POSITION
2	Y00188	MOLEX TERMINAL (FOR ONE OR TWO WIRE APPLICATI - NLA
3	35521	CLIP,HARNESS HOLDER
4	40095301	POWER CORD ALL
5	3673	NUT
6	Y00000000	SEE NOTE
7	52909	SCREW,10B-16 X 1/2 HEX
8	36274	CLIP,HARNESS - NLA
9	36466	WIRE TIE - NLA
10	Y00117	FEMALE SOCKET TERMINAL
11	26163	RECEPTACLE,9 CIRCUIT
11	26301	RECEPTACLE,MOLEX
11	26708	RECEPTACLE,6 CIRCUIT
12	23033	PLUG,9 CIRCUIT
12	23041	PLUG,6 CIRCUIT
12	26302	PLUG,1 CIRCUIT
13	Y00116	MALE PIN TERMINAL - NLA
14	21036	CLIP,CABLE
15	359	TERMINAL,INSULATED
16	Y00161	GROUND CLIP - NLA
17	51291	CLIP,WIRE
18	504034	CLIP,WIRE
19	70210	INSULATOR,BLUE
20	Y00120	TERMINAL,FLAG-1/4 FEMA - NLA
21	220	TERMINAL,CRIMP-SINGLE
22	M0320585	SPADE TERMINAL(18 GAUGE)
23	112	TERMINAL,SPADE-3/16 FE

24	Y00113	TERMINAL,RING-1/4 STUD - NLA
25	110	No.10 ((1) 18 GAUGE WIRE
26	WP75614	CONNECTOR TWO 1/4 INCH MALE
27	29673	DOUBLE CONNECTOR

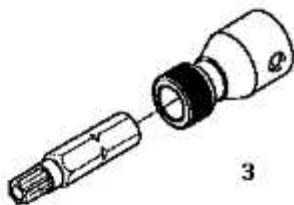
# LW3502L



1



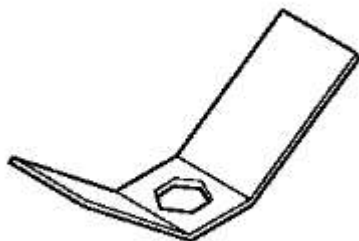
2



3



4

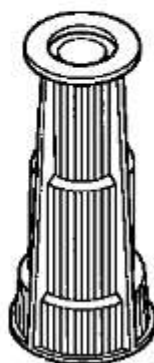
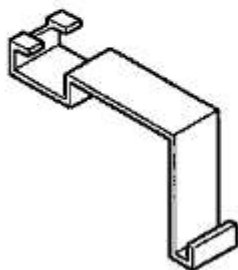
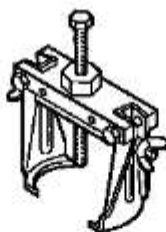
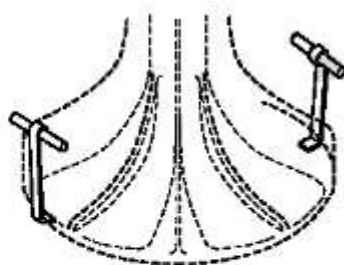


5

## LW3502L

1	291P4	WRENCH,T - ALLEN
2	321P4	HOOK,SPRING
3	24161	TORX BIT HOLDER
3	282P4	T25 TAMPER RESISTANT BIT
4	242P4	INSTALLER,SPRING
5	306P4	HEX WRENCH
NI	725P3	KIT,TOOL

LW3502L

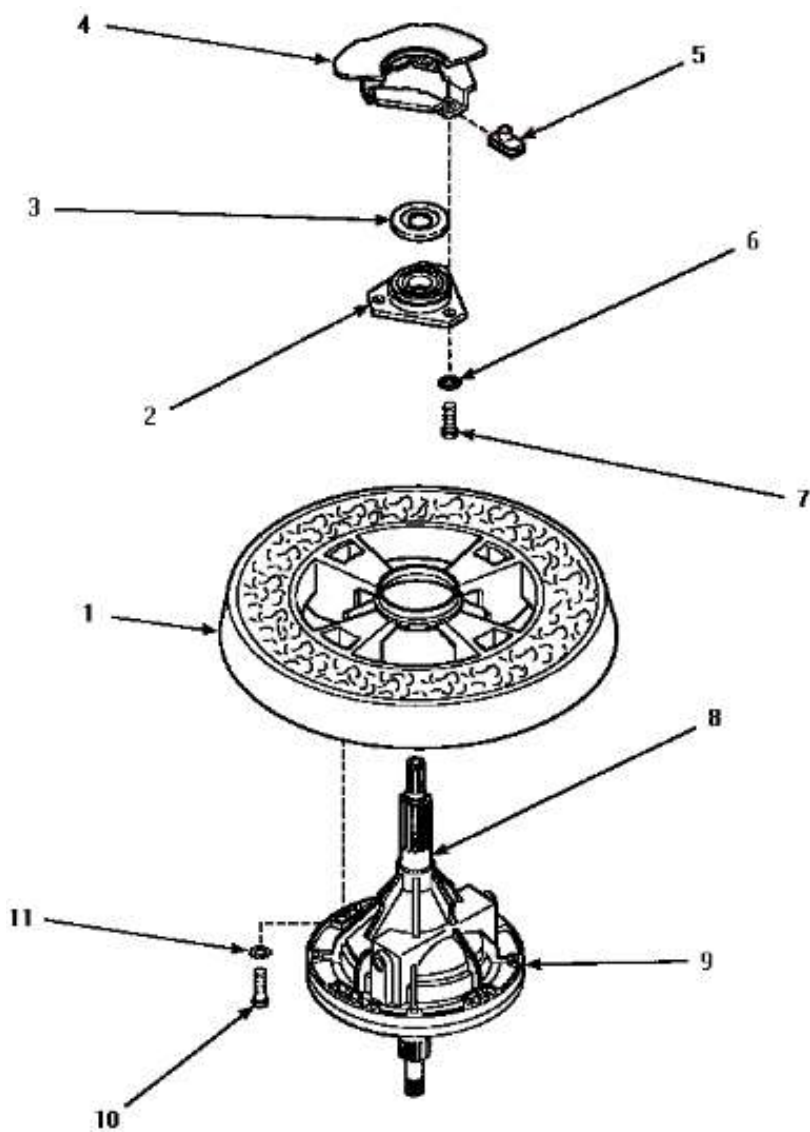




## LW3502L

1	272P4	TOOL,LID SWITCH INSTAL
2	254P4P	AGITATOR HOOKS
3	294P4	BELL TOOL
4	273P4	TUB COVER GASKET TOOL
5	293P4	SEAL TOOL

# LW3502L



## LW3502L

1	34731P	ASSY,BALANCE RING-COMPL
2	WP40004201P	BEARING HOUSING ASSEMBLY
3	27187	FLINGER
4	Y00000000	SEE NOTE
5	27222	NUT,RETAINER 5/16-18 - NLA
6	4366	LOCKWASHER,5/16INTSHKP
7	M400057SPQ	SCREW
8	27604P	NEVER-SEEZE 1 OZ TUBE
9	34526P	TRANSMISSION ASSEMBLY
10	27200ATF	CAP SCREW
11	2431	LOCKWASHER,1/4 EXT SHK

**\*NOTA: SI EL CODIGO DEL ARTICULO QUE NECESITA NO APARECE EN NUESTRA PAGINA WEB, ES PROBABLE QUE SEA SOBRE PEDIDO O ESTE OBSOLETO.**

**FAVOR DE COMUNICARSE A NUESTRAS OFICINAS PARA MAYOR INFORMACION**

**TELEFONOS: 83377949, 83377999 Y 83373889.**