

* ADD LETTER TO DESIGNATE COLOR: L-ALMOND W-WHITE

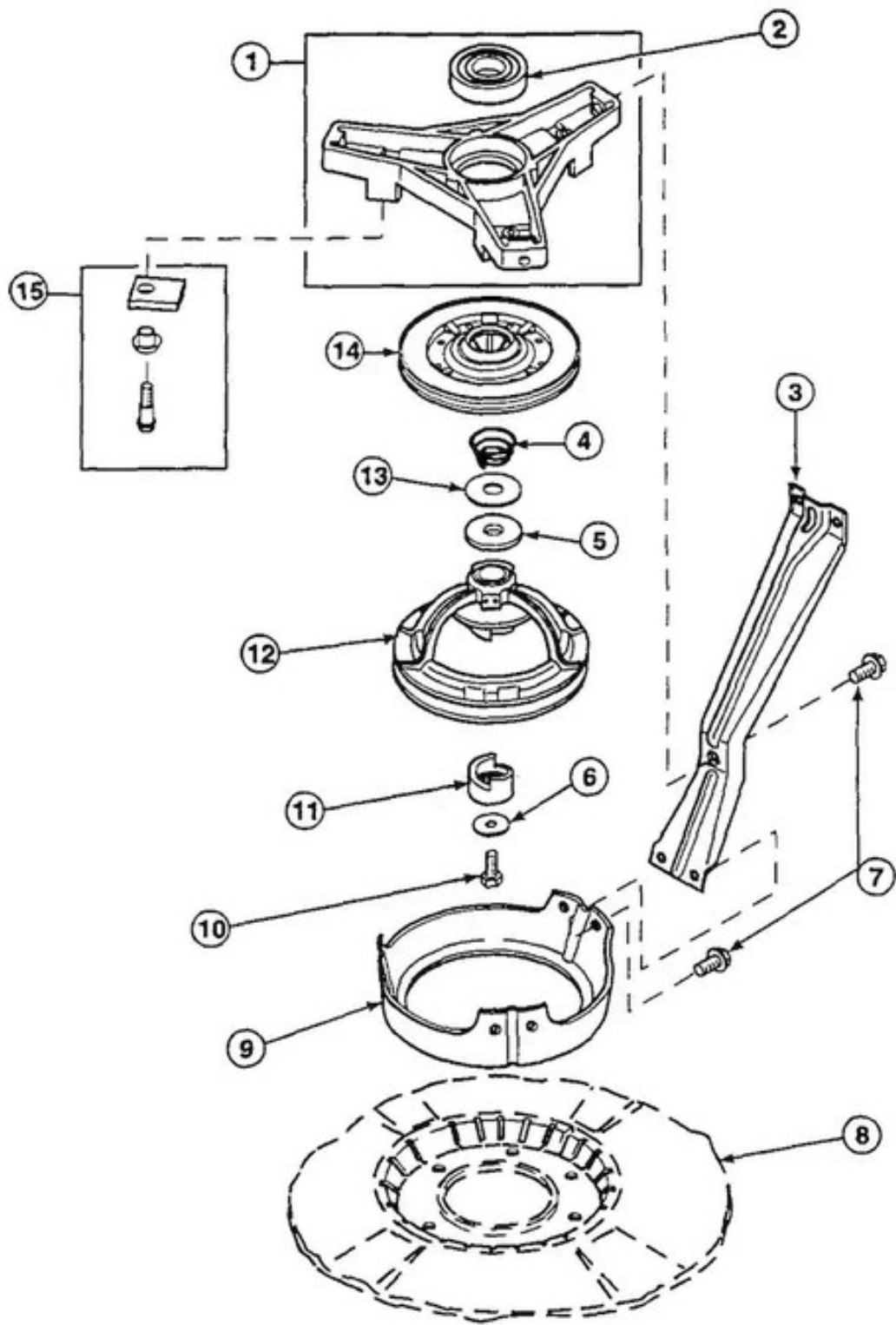


LAVADORA LW3502W2

Guía	Número de parte	Descripción
1	Fabric Softener Kit	40002101W
2	DISCONTINUED	N/A
3	Flex Vane Agitator	40000501W
4	GUARD- CLO	35035
5	Screw	WP3400527
6	GASKET	28094
7	Self Cleaning Lint Filter	N/A
8	Agitator Drive Bell Seal	40016101
9	Lock Nut	40016301
10	Lock Nut Spline Insert	WP40008301
11	Complete Hub and Seal Kit	R9900552
12	KIT- WASH	R9900144
12A	WASH TUB	39240P
12B	DISCONTINUED	N/A
13	O-Ring	36472
14	Drive Bell and Seal Kit	R9900189
15	Shoulder Screw	40065102
16	Bell Plug	40008401
17	Flex Vane Agitator	40000501W



LAVADORA LW3502W2



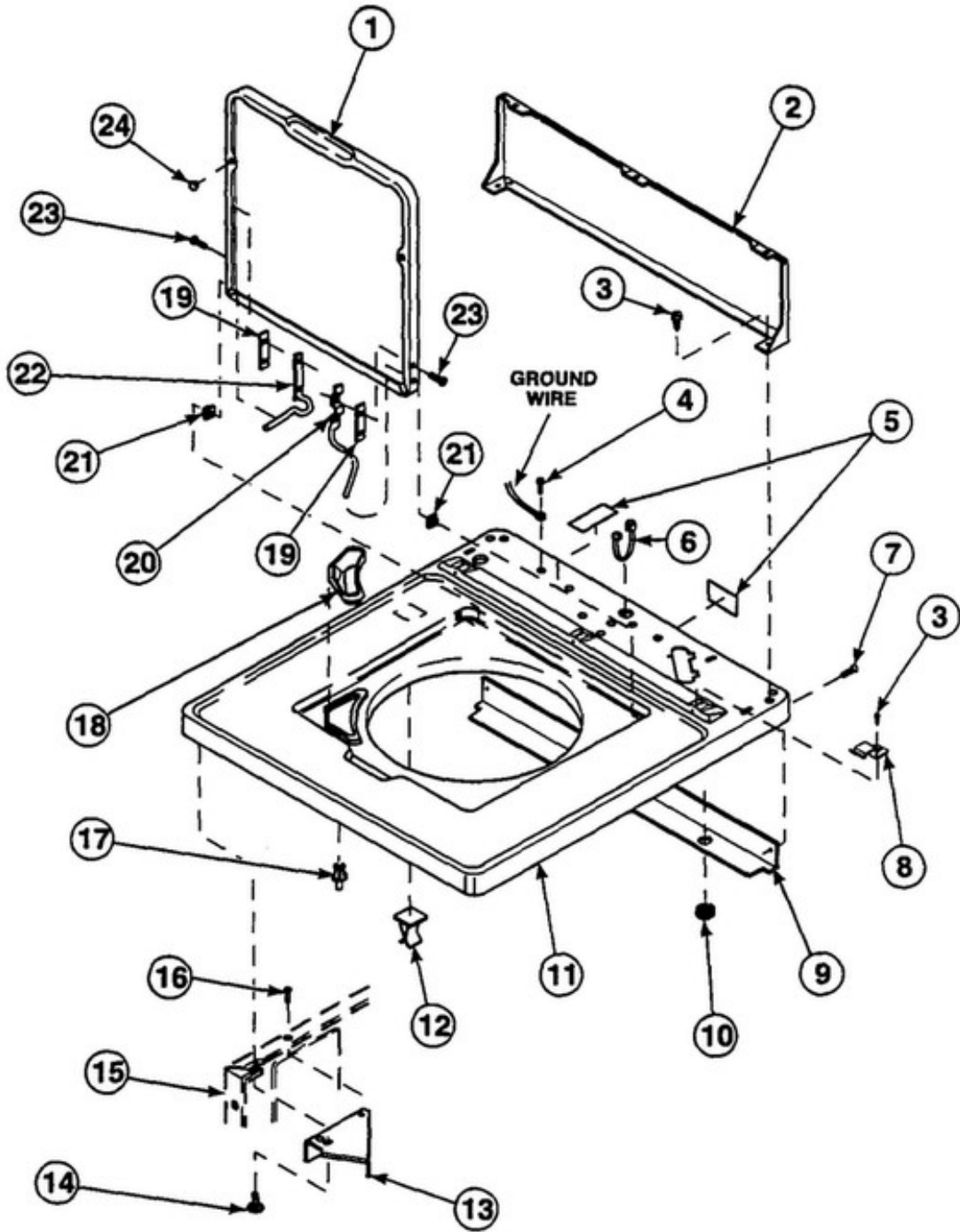
* ADD LETTER TO DESIGNATE COLOR: L-ALMOND W-WHITE

Guía	Número de parte	Descripción
1	HOUSING	35746
2	Upper/Lower Bearing	WP40004001
3	LEG,SUPPORT	34471
3A	LEG,SUPPORT	34792
4	SPRING-CON	33435
5	Washer	40063201
6	Washer	40041501
7	Screw - 5/16	40128701
8	Assembly NUT/LEG BASE	34434P
8A	BASE	36599P
9	DOME-PIVOT	34470
10	Hex Screw	WP40063401
11	HELIX	27018
12	PULLEY	34921
12A	PULLEY	34923
13	Plastic Washer	40065701
14	Brake Rotor Assembly	R9900474
15	Brake Pad Kit	R9900543



LAVADORA LW3502W2

MODEL: CW4202W2A/W2B

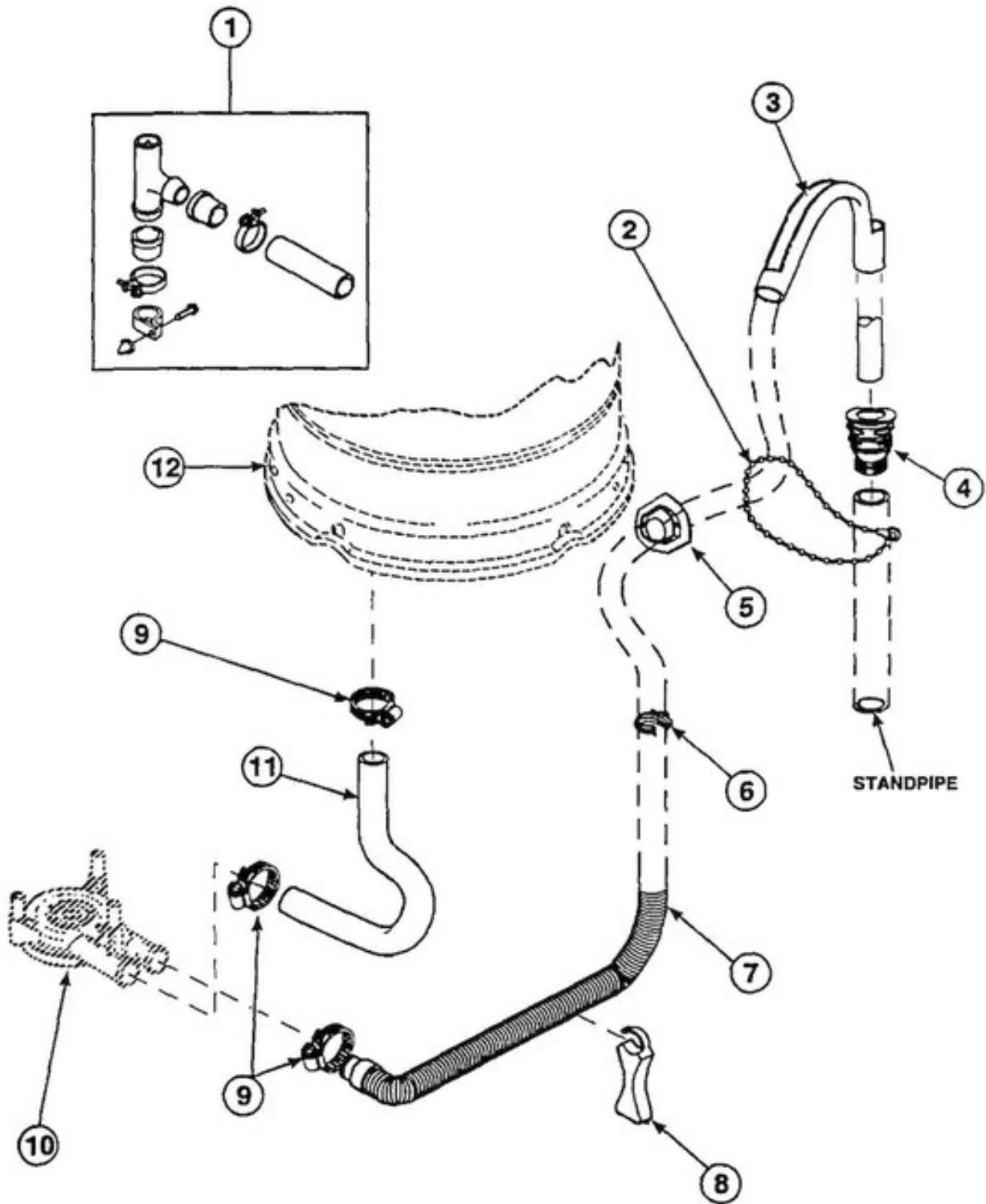


* ADD LETTER TO DESIGNATE COLOR: L-ALMOND W-WHITE

Guía	Número de parte	Descripción
1	Assembly,LID-AMANA ELECTRONIC	36018LP
1A	Assembly,LID-AMANA ELECTRONIC	36018WP
2	CONTROL HOOD BACK PANEL	37782
3	Screw, 8/18 x 3/8	WP90767
4	SCREW,10B-16 X 1/2 HEX	52909
5	STUD, SHELF	652346
6	GROMMET- C	211881
7	Screw - 12-14 x 1/2 Type B	WP27001200
8	CLIP- HOLD	40063901
9	SHIELD, TOP	34228
10	GROMMET	80262
11	Assembly, TOP-AMANA	34902LP
11A	DISCONTINUED	34902WP
12	CLIP	36519
13	BRACKET,DIRECTOR-MODULE	36034
14	DISCONTINUED	31644
15	DISCONTINUED	38612LP
15A	KIT-SERVIC	38612WP
16	SCREW,8-18X3/8 PHIL FLT HD	36035
17	DISCONTINUED	56534
18	DISCONTINUED	34776
19	GASKET-HIN	34338
20	HINGE	36437
21	BUSHING- H	40008201
22	HINGE, LID LEFT	36438
23	Lid Hinge Mounting Screw	WPW10119828
24	BUMPER	40038001



LAVADORA LW3502W2



* ADD LETTER TO DESIGNATE COLOR: L-ALMOND W-WHITE

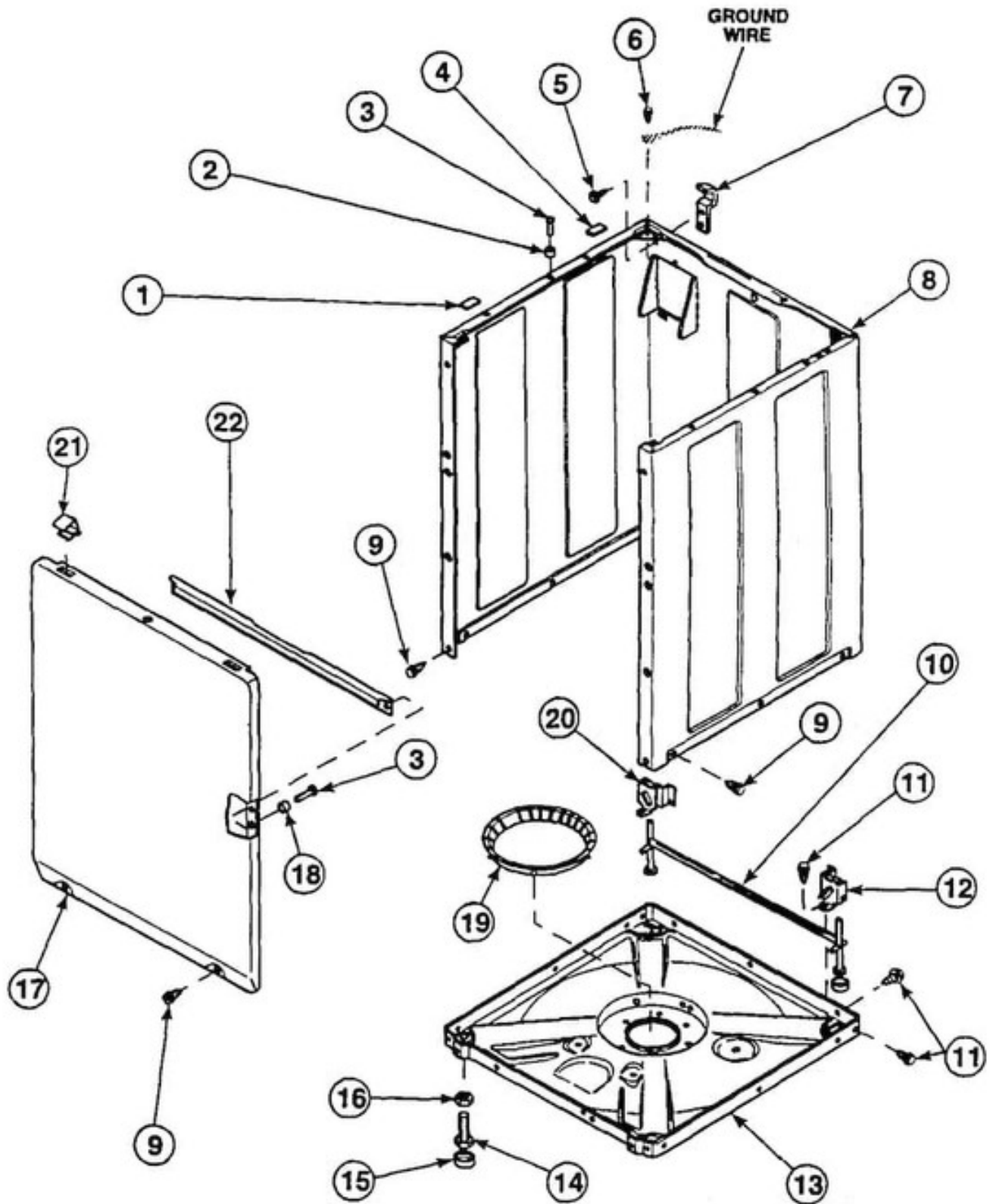


LAVADORA LW3502W2

Guía	Número de parte	Descripción
1	Siphon Break Kit	76660
2	TIE-WIRE	35-2890
3	Retainer	WP22003814
4	Standpipe Adapter	4000810
5	RELIEF, STRAIN	32219
6	CLIP- RETA	36014
7	Drain Hose with Rubber Elbow	WP40053901
8	DISCONTINUED	35487
8A	HOSE SUPPO	36522
9	Hose Clamp	WP285655
10	Drain Pump	27001233
11	HOSE-TUB T	35752
11A	HOSE,TUB TO PUMP-DDP	35753
12	TUB-ASM	34438P
12A	OUTER TUB	34439P



LAVADORA LW3502W2



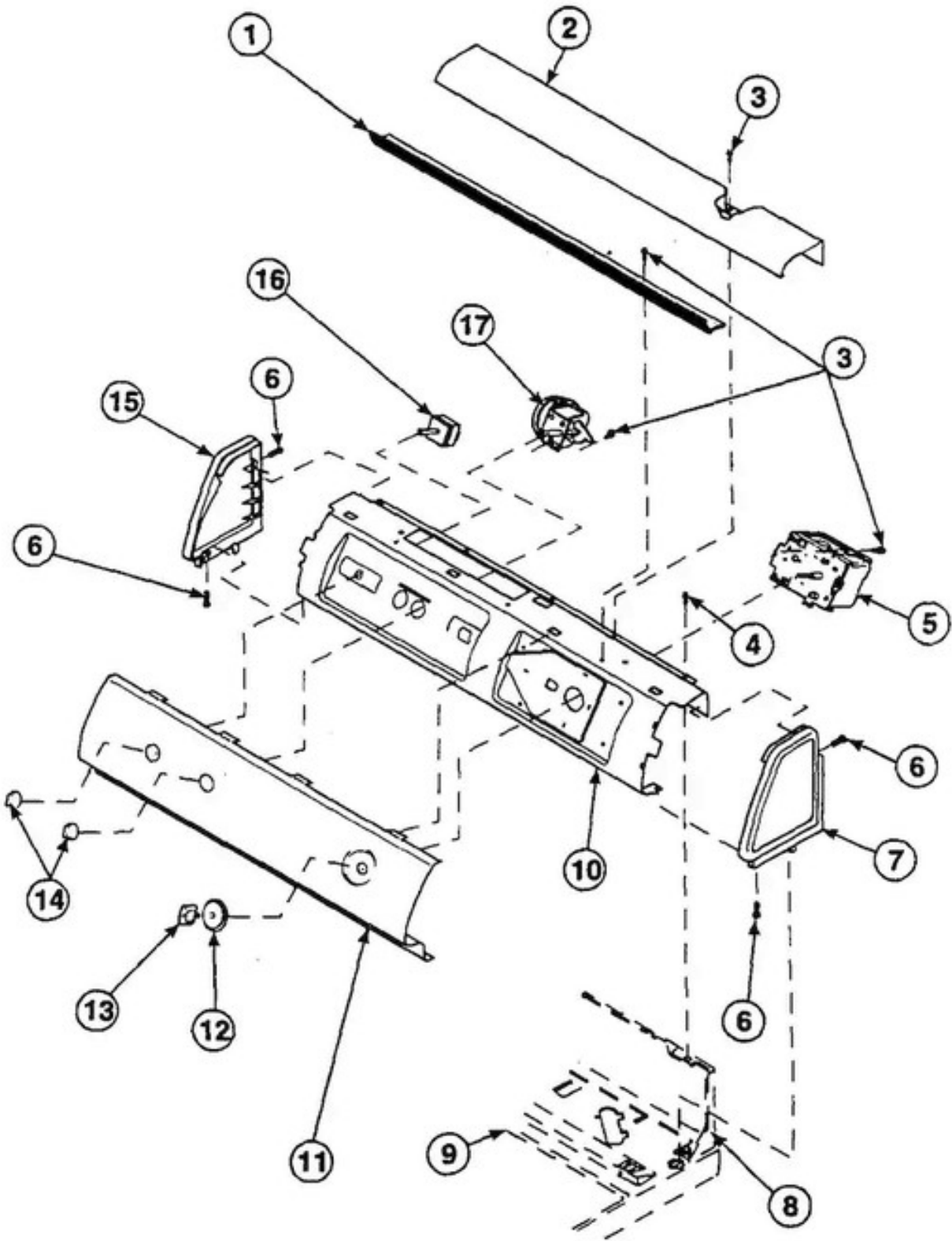
BENITO JUÁREZ #1500 GPE ZITON, CD. GUADALUPE NUEVO LEÓN TEL: 8183377999 Y 49
HORARIOS: LUNES A VIERNES 8:30 A 6:00 PM Y SÁBADOS DE 8:30 A 2:00 PM

www.denek.com



LAVADORA LW3502W2

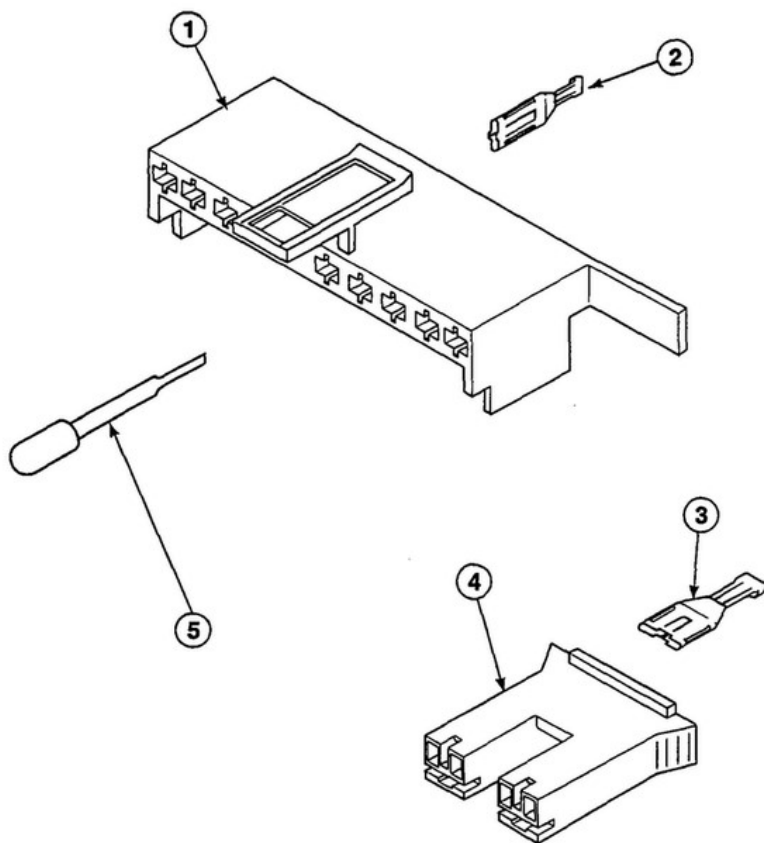
Guía	Número de parte	Descripción
1	PAD- BUMPE	Y56128
2	LOCATOR- P	505187
3	Screw	WPY014874
4	PAD, BUMPER .25	36226
5	SCREW, #10B X 1/4 TAP IN HX	34499
6	Screw, 8/18 x 3/8	WP90767
7	HINGE-HOLD	Y27103
8	DISCONTINUED	38612LP
8A	KIT-SERVIC	38612WP
9	Screw - 12-14 x 1/2 Type B	WP27001200
10	Assembly,LEG & STABILIER	34443
11	SCREW,1/4-14 X 3/8 HX HD	35148
12	BRACKET,SLL-RIGHT	36036
13	Assembly NUT/LEG BASE	34434P
13A	BASE	36599P
14	Adjustable Levelling Leg	22003428
15	Rubber Foot Pad	40016001
16	Lock Nut	WP210385
17	Assembly,FRONT PANEL	34656LP
17A	Assembly,FRONT PANEL	34656WP
18	LOCATOR,PANEL	28102
19	SNUBBER PA	36108
20	BRACKET-SL	36037
21	DISCONTINUED	35865
22	BRACE- Front	Y35097





LAVADORA LW3502W2

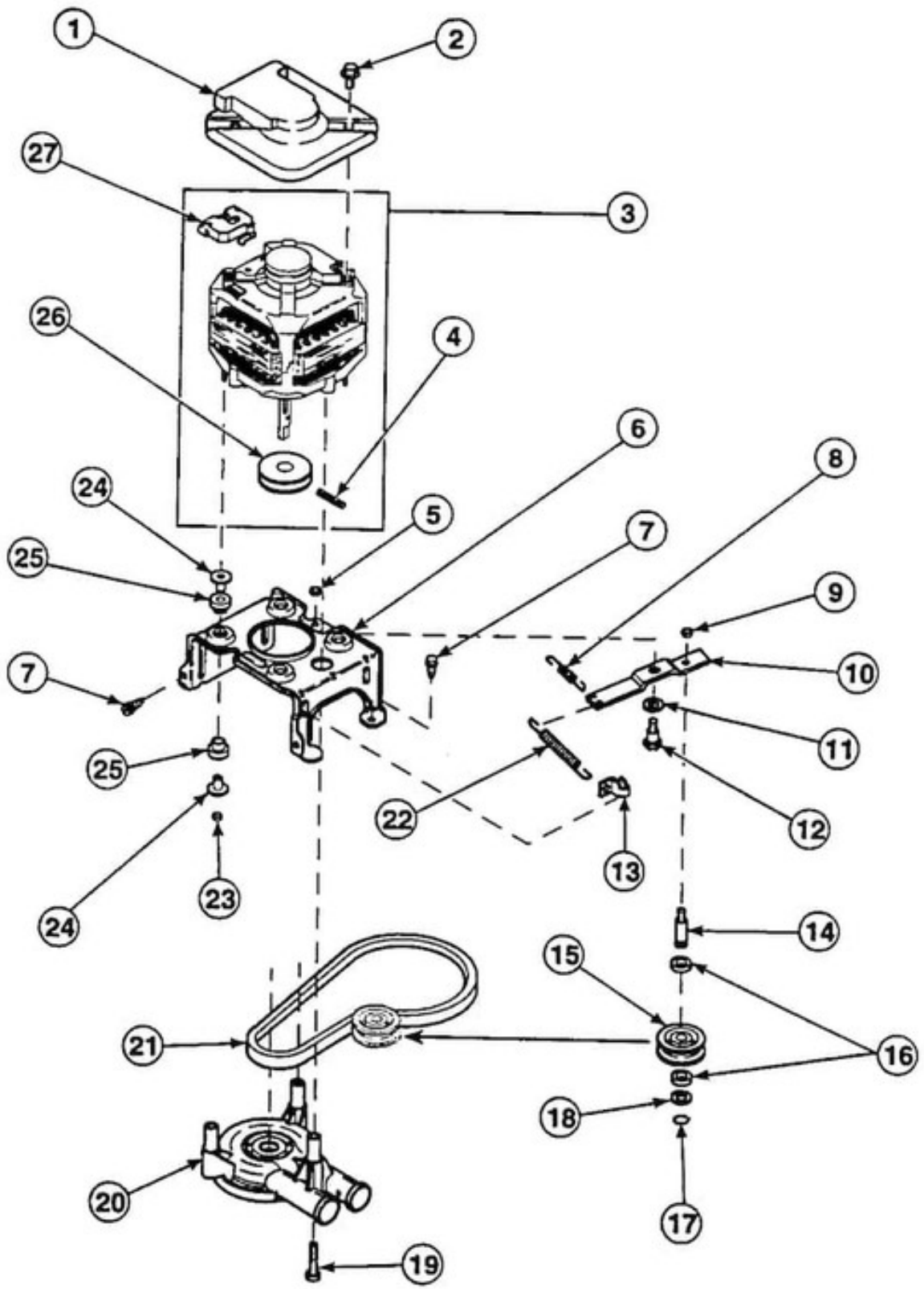
Guía	Número de parte	Descripción
1	DISCONTINUED	Y34826
2	COVER, TOP	34823
3	Screw, 8/18 x 3/8	WP90767
4	Screw	W11233072
5	Quick Connect Timer - 3 Cycle	31239
6	Screw, 8/18 x 3/8	WP90767
7	PANEL, END R.H. (Black)	34815
8	CONTROL HOOD BACK PANEL	37782
9	Assembly, TOP-AMANA	34902LP
9A	DISCONTINUED	34902WP
10	PANEL, CONTROL SUPPORT	38171
11	DISCONTINUED	36614
11A	PANEL, GRAPHICS	36865
11B	PANEL, GRAPHICS	36883
11C	PANEL, GRAPHICS	36884
12	DISCONTINUED	98812
13	Timer Knob	34844
14	Rotary Knob	34847
15	PANEL, END (BLK,L.H.)	34816
16	SWITCH-TEM	35115
17	SWITCH- PR	39035
17A	Pressure Switch	40055101



Guía	Número de parte	Descripción
1	10 CIRCUIT	34677
2	DISCONTINUED	00188*
3	TERMINAL	M0320585
4	PLUG	34675
4A	PLUG	34676
5	TERMINAL EXTRACTOR TOOL	283P4



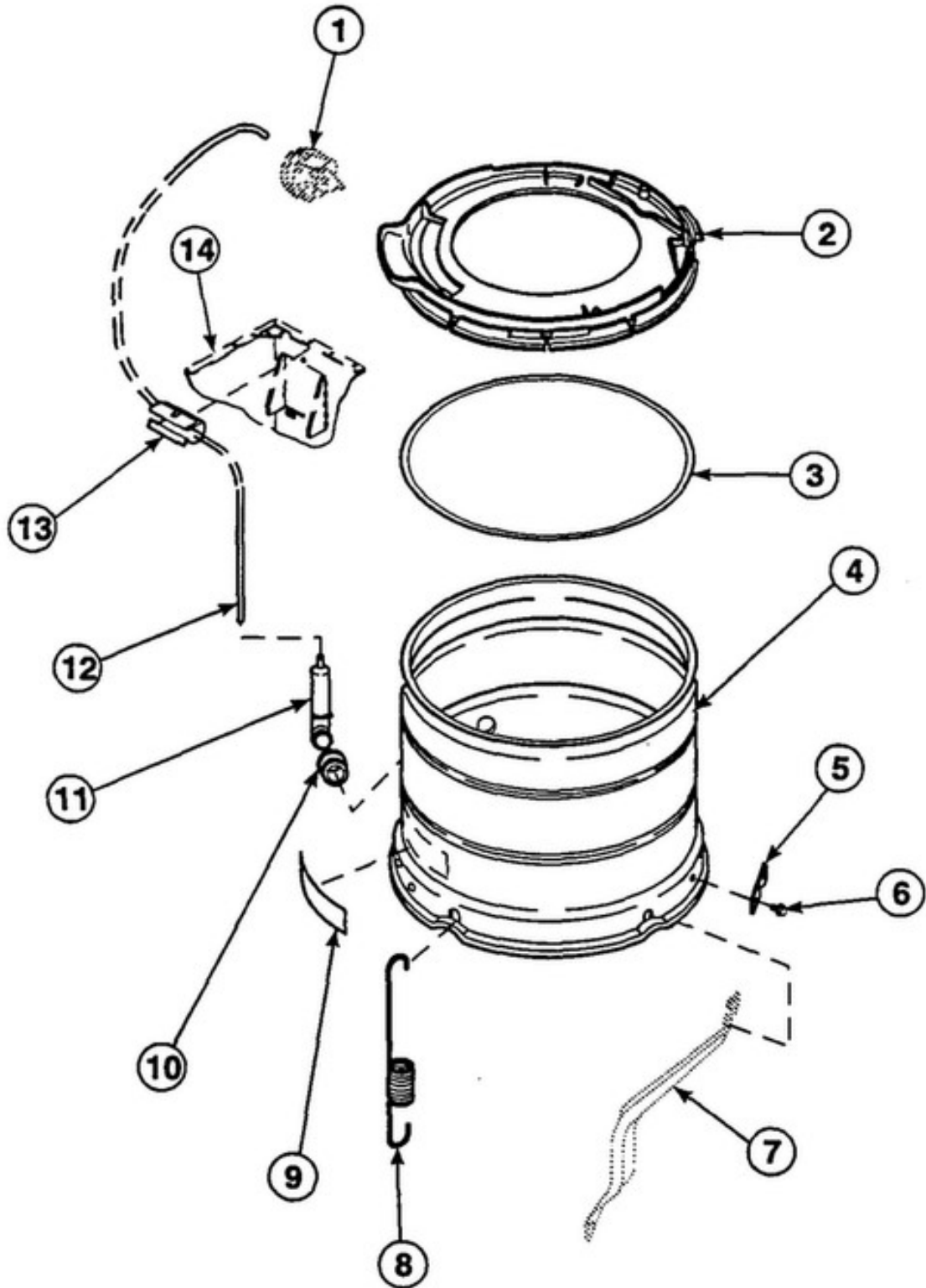
LAVADORA LW3502W2





LAVADORA LW3502W2

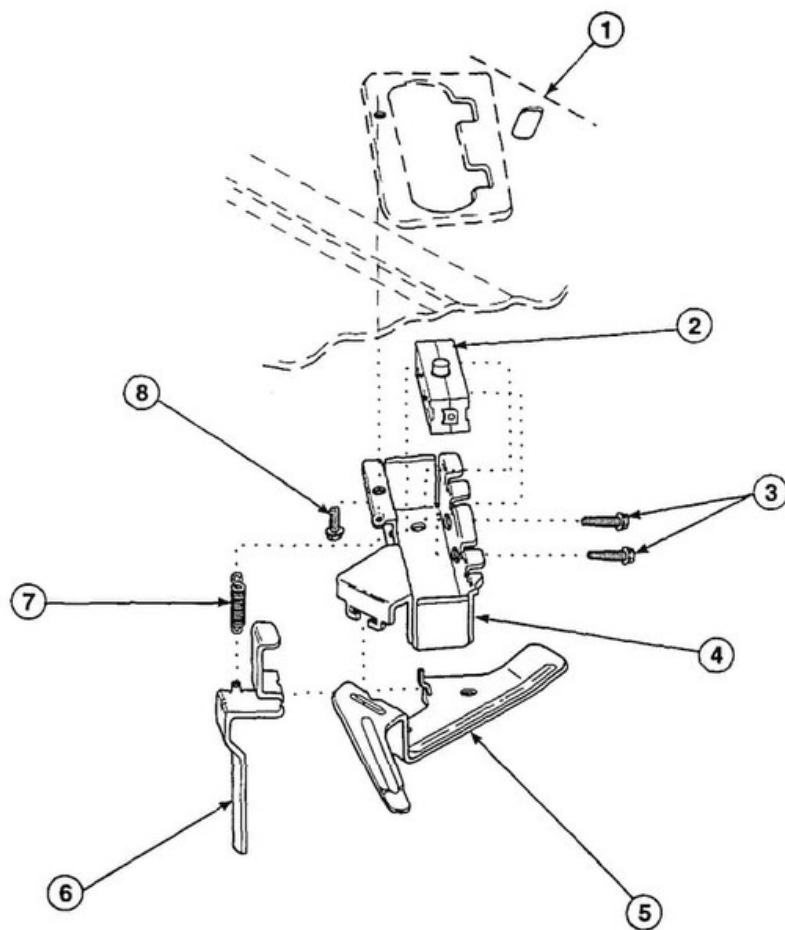
Guía	Número de parte	Descripción
1	SHIELD	40112301
2	Screw	WP4312464
3	2-Speed Drive Motor with Pulley	27001215
3	2-Speed Drive Motor with Pulley	27001215
4	PIN,ROLL	23750
5	Dryer Nut	WPW10139757
6	BRACKET,MOTOR MOUNT	34890
6A	KIT, MOTOR BRKT	37415P
6B	KIT, MOTOR BRKT	37415P
7	Screw - 12-14 x 1/2 Type B	WP27001200
8	SPRING,IDLER LEVER HEL	30620
9	Nut	WP358160
10	Idler Pulley Lever	40041002
10A	Idler Pulley Lever	40041002
11	Washer	40054701
12	Screw	40038901
13	CLIP-SPRIN	28849
14	Shaft for Idler Pulley Wheel	28802
15	Idler Pulley Wheel	28800
16	Felt Washer	Y29443
17	Retaining Ring	WP23748
18	Thrust Washer	WP233520
19	Screw - 10-16x1.75	WP40063701
20	Drain Pump	27001233
21	V-Style Drive Belt	WP28808
22	Idler Pulley Spring	WP37366
22A	SPRING- ID	37606
23	Plate Nut	WP3400029
24	POST-MOUNT	34791
25	MOUNT-MOTO	34788
26	PULLEY,MOTOR	27171
27	SWITCH, MOTOR	35632





LAVADORA LW3502W2

Guía	Número de parte	Descripción
1	SWITCH- PR	39035
1A	SWITCH,PRESSURE-FIXED	35012
1B	Pressure Switch	40055101
1C	SWITCH- PR	39078
2	COVER-TUB	36025P
3	Tub Cover Gasket	32857
4	TUB-ASM	34438P
4A	OUTER TUB	34439P
5	PLATE,LEG .063	27926
6	Screw - 5/16	40128701
7	LEG,SUPPORT	34471
7A	LEG,SUPPORT	34792
8	SPRING,TUB -SHORT	35947
8A	Support Leg Spring	35948
9	DISCONTINUED	500049R4
10	Grommet	40037801
11	ASSEMBLY	40008501
12	DISCONTINUED	39125
13	CLIP, HOSE	36985
14	DISCONTINUED	38612LP
14A	KIT-SERVIC	38612WP

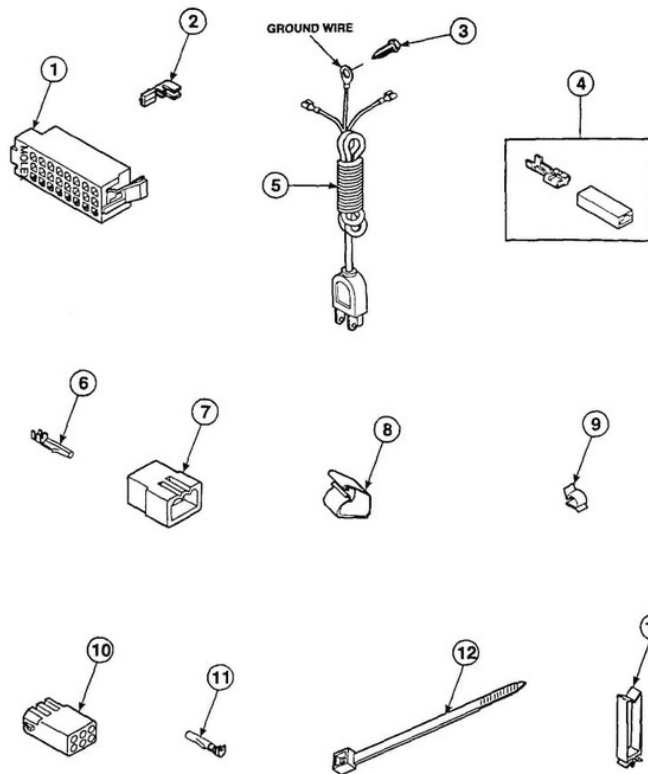


* ADD LETTER TO DESIGNATE COLOR: L-ALMOND W-WHITE

Guía	Número de parte	Descripción
1	Assembly, TOP-AMANA	34902LP
1A	DISCONTINUED	34902WP
2	Lid Switch	WP27001095
3	SCREW	36510
4	KIT- Switch	36497P
5	ARM-ACTUAT	33441
6	DISCONTINUED	33442
7	SPRING	33443
8	Screw, 8/18 x 3/8	WP90767



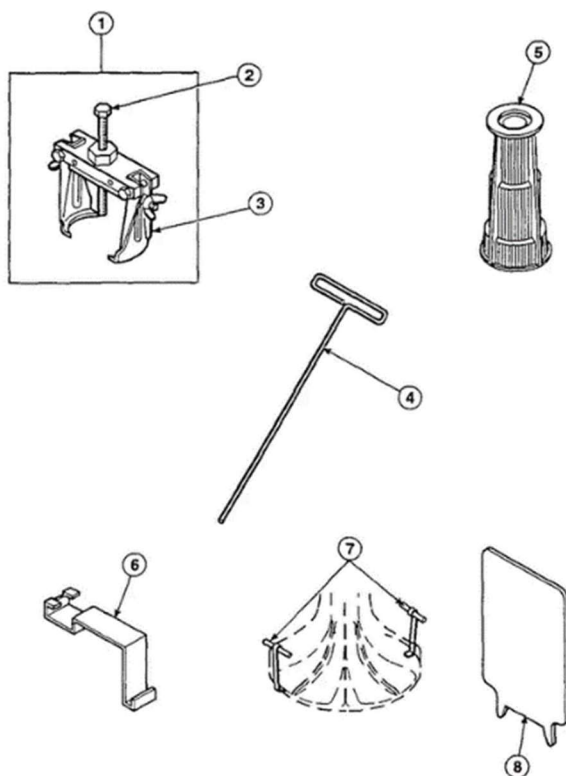
LAVADORA LW3502W2



* ADD LETTER TO DESIGNATE COLOR: L-ALMOND W-WHITE

Guía	Número de parte	Descripción
1	HOUSING,R.H.-24 POSITI	32746
1A	HOUSING,LH -24 POSITION	34123
2	DISCONTINUED	00188*
3	SCREW,10B-16 X 1/2 HEX	52909
4	TERMINAL,INSULATED	00234*
5	DISCONTINUED	40095301
6	TERMINAL-P	Y00116
7	PLUG,9 CIRCUIT	23033
7A	PLUG,6 CIRCUIT	23041
7B	PLUG,1 CIRCUIT	26302
8	CLIP,HARNESS HOLDER	35521
9	CLIP,CABLE	21036
10	RECEPTACLE	26163
10A	RECEPTACLE,MOLEX	26301
10B	RECEPTACLE	26708
11	DISCONTINUED	5011-XX
12	USE MAC M0321209	36466
13	CLIP, HARNESS	36274

LAVADORA LW3502W2

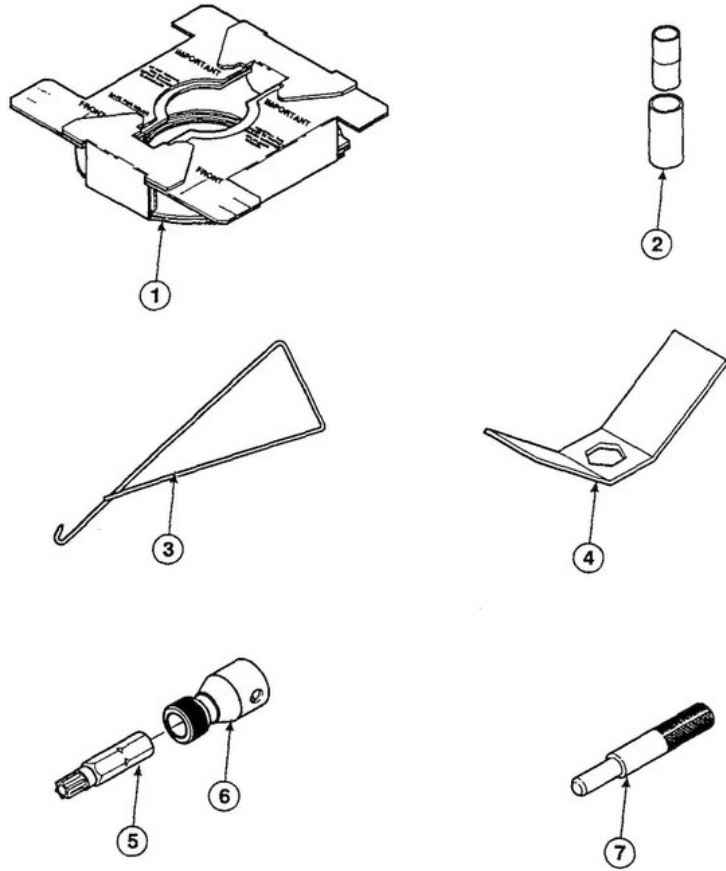


* ADD LETTER TO DESIGNATE COLOR: L-ALMOND W-WHITE

Guía	Número de parte	Descripción
1	BELL TOOL	294P4
2	DRIVE BELL BOLT	294P4B
3	JAW,DRIVE BELL TOOL	294P4A
4	WRENCH, T - ALLEN	291P4
5	SEAL TOOL	293P4
6	TUB COVER GASKET TOOL	273P4
7	AGITATOR HOOKS	254P4P
8	TOOL,LID SWITCH INSTAL	272P4



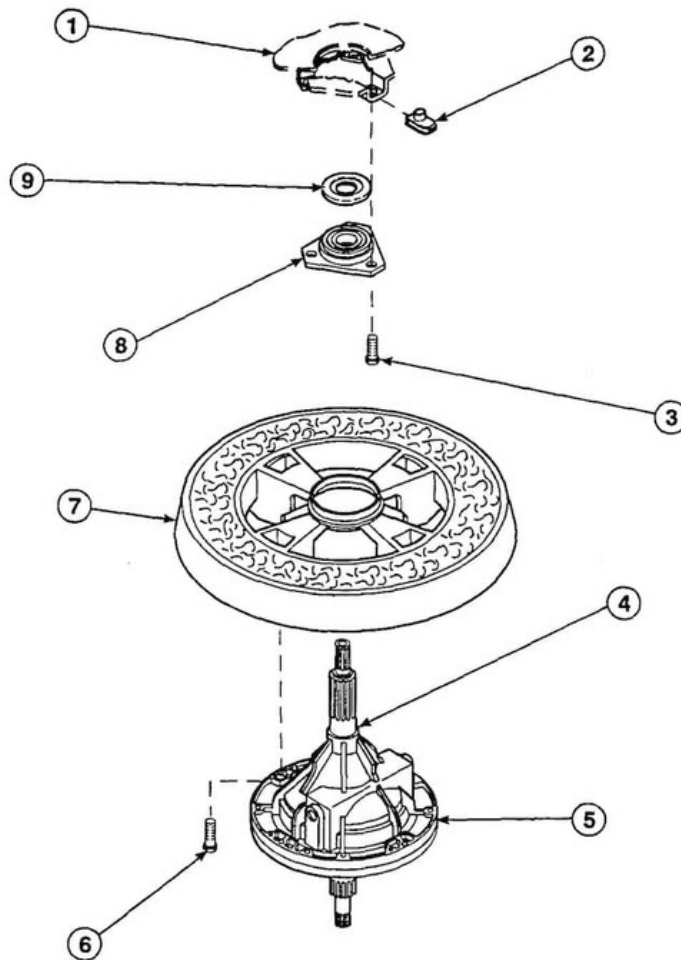
LAVADORA LW3502W2



* ADD LETTER TO DESIGNATE COLOR: L-ALMOND W-WHITE

Guía	Número de parte	Descripción
1	BRACE, SHIPPING	36926
2	INSTALLER, SPRING	242P4
3	SUB 321P4	289P4
4	SUB 306P4	237P4
5	T25 TAMPER RESISTANT BIT	282P4
6	TORX BIT HOLDER	24161
7	TOOL, TRANSMISSION PI	305P4

LAVADORA LW3502W2



* ADD LETTER TO DESIGNATE COLOR: L-ALMOND W-WHITE

Guía	Número de parte	Descripción
1	TUB-ASM	34438P
1A	OUTER TUB	34439P
2	NUT-RETAIN	27222
3	Cap Screw	3400500
4	NEVER-SEEZE 1 OZ TUBE	27604P
5	TRANSMISSION	34526P
6	SCREW, CAP	37047
7	Assembly, BALANCE RING-COMPL	34731
8	Main Tub Bearing Assembly	WP40004201P
9	FLINGER	27187