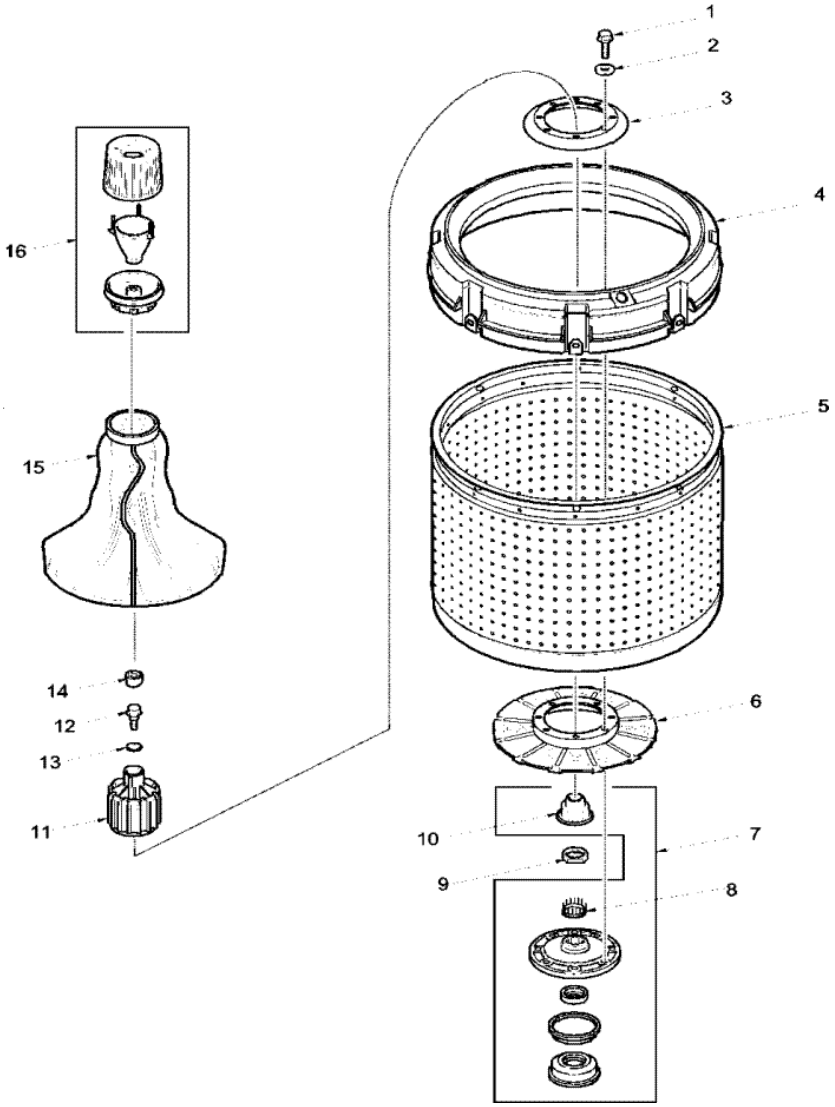


LWA50AW TINA





## LWA50AW TINA

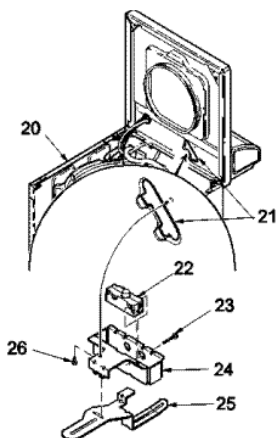
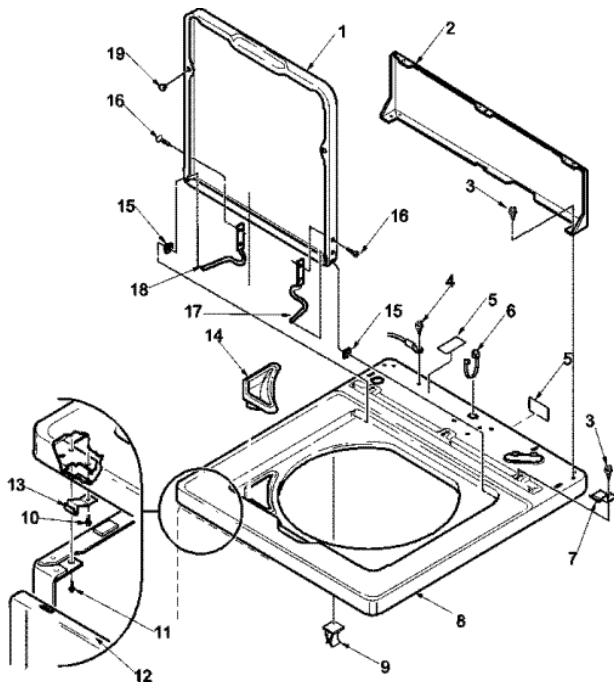
1	27202	CAP SCREW <b>(S/P)</b>
2	28094	GASKET <b>(S/P)</b>
3	R9900144	WASHER (LARGE RING FOR TUB) <b>(S/P)</b>
4	27001052	BALANCE RING <b>(S/P)</b>
5	R9900144	WASHTUB <b>(S/P)</b>
6	39112	LINT FILTER
7	R9900552	HUB AND SEAL KIT
8	40008301	SPLINED INSERT
9	40016301	LOCKNUT
10	40016101	SEAL
11	R9900189	DRIVE BELL & SEAL KIT
12	34288	SHOULDER SCREW <b>(S/P)</b>
13	36472	O-RING <b>(S/P)</b>
14	40008401	PLUG <b>(S/P)</b>
15	40000501W	AGITATOR
16	40002101W	FABRIC SOFTENER DISPENSER

Distribuidor Autorizado

SurteRápido.com

Venta de Refacciones  
Electrodomesticas

## LWA50AW CUBIERTA





## LWA50AW CUBIERTA

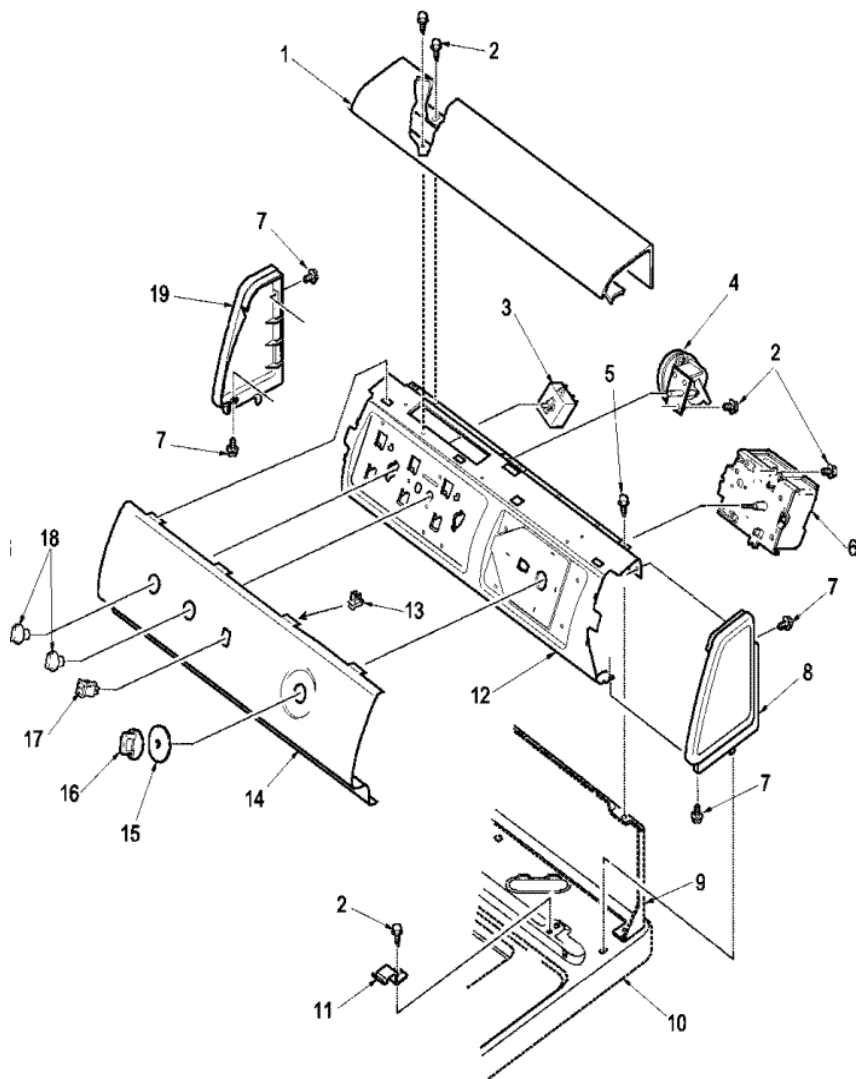
1	201502WP	LOADING DOOR (S/P)
2	37782	CONTROL HOOD BACK PANEL (S/P)
3	23962	SCREW, 8B-18 X 3/8 IND (S/P)
4	52909	SCREW, 10B-16 X 1/2 HEX (S/P)
5	505281R3	STICKER, DISCONNECT POW (S/P)
6	211881	STRAIN RELIEF (S/P)
7	40063901	HOLD-DOWN CLIP (S/P)
8	37992WP	<b>DESCONTINUADO</b>
9	36519	CLIP (S/P)
10	501086	SCREW, 8B-18X3/8 SLT (S/P)
11	Y31644	SCREW, 10-24T X 3/4 SEM (S/P)
12	38238WP	FRONT PANEL (S/P)
13	40034202	CLIP (S/P)
14	40093901	BLEACH DISPENSER (S/P)
15	40008201	BUSHING (S/P)
16	34337	SCREW (S/P)
17	36437	HINGE, LID R
18	36513	HINGE, LEFT (S/P)
19	40038001	BUMPER (S/P)
20	38612WP	CABINET (S/P)
21	37992WP	<b>DESCONTINUADO</b>
22	27001095	SWITCH
23	36510	SCREW (S/P)
24	40009801	SWITCH HOLDER
25	40009701	ACTUATOR ARM
26	23962	SCREW, (S/P)

Distribuidor Autorizado

SurteRápido.com

Venta de Refacciones  
Electrodomesticas

## LWA50AW TABLERO





## LWA50AW TABLERO

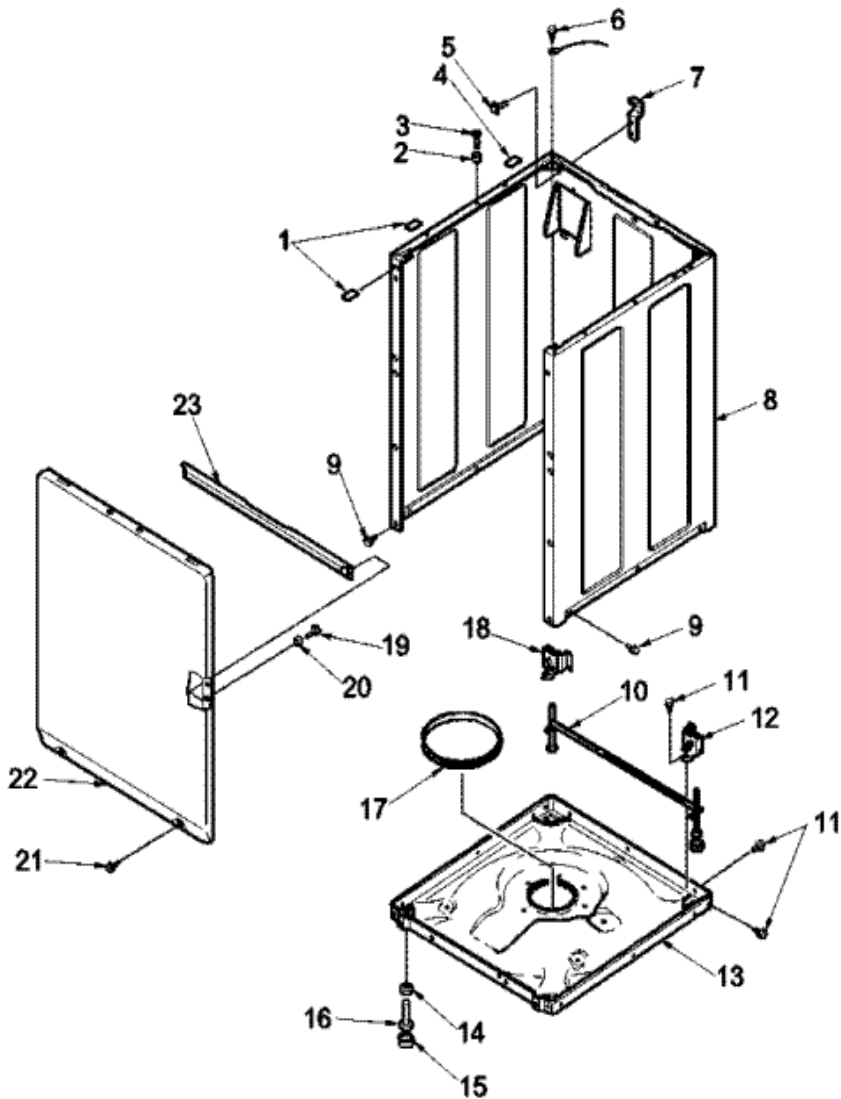
1	38231W	COVER, TOP (S/P)
2	23962	SCREW, 8B-18 X 3/8 IND (S/P)
3	35115	SWITCH, TEMPERATURE 3 P (S/P)
4	40055101	PRESSURE SWITCH
5	34904	SCREW, 8-18 X 3/8 PHIL PAN HD (S/P)
6	37926	TIMER, 115V/60HZ 4 CYCL
7	501086	SCREW, 8B-18X3/8 SLT (S/P)
8	40012701W	CAP-END RH (S/P)
9	37782	CONTROL HOOD BACK PANEL (S/P)
10	37992WP	<b>DESCONTINUADO</b>
11	40063901	HOLD-DOWN CLIP (S/P)
12	38171	PANEL, CONTROL SUPPORT (S/P)
13	Y00161	GROUND CLIP (S/P)
14	38556W	PANEL, GRAPHIC-AMANA (S/P)
15	36700W	KNOB SKIRT (S/P)
16	35333W	KNOB, TIMER (S/P)
17	38424W	SWITCH, ROCKER (WHT) (S/P)
18	36701W	KNOB (WHITE) (S/P)
19	40012702W	CAP-END LH (S/P)

Distribuidor Autorizado

SurteRápido.com

Venta de Refacciones  
Electrodomesticas

## LWA50AW GABINETE





## LWA50AW GABINETE

1	Y56128	PAD, BUMPER (S/P)
2	505187	LOCATER, PANEL (S/P)
3	32671	SCREW, TAPPING (S/P)
4	36226	PAD, BUMPER .25 (S/P)
7	Y27103	HINGE, HOLD-DOWN LUG (S/P)
8	38612WP	CABINET (S/P)
10	34443	ASSY, LEG & STABILIER (S/P)
11	35148	SCREW, 1/4-14 X 3/8 HX HD (S/P)
12	36036	BRACKET, SLL-RIGHT (S/P)
13	39788	BASE (S/P)
14	40038101	LOCKNUT (S/P)
15	40016001	RUBBER FOOT
16	22003428	LEVELING LEG
17	40037401	FRICTION RING
18	36037	BRACKET, SLL-LEFT (S/P)
20	28102	LOCATOR, PANEL (S/P)
22	38238WP	<b>DESCONTINUADO</b>
23	Y35097	BRACE, FRT PNL (S/P)
24	27001185	WASHER SHIPPING BRACE (S/P)
25	27001185	SHIPPING PLUG (S/P)
26	321P4	HOOK, SPRING (S/P)
27	306P4	HEX WRENCH (S/P)
28	282P4	T25 TAMPER RESISTANT BIT (S/P)
29	24161	TORX BIT HOLDER (S/P)
30	305P4	TOOL, TRANSMISSION PI (S/P)
31	294P4	BELL TOOL (S/P)
32	294P4B	DRIVE BELL BOLT (S/P)
33	294P4A	JAW, DRIVE BELL TOOL (S/P)
34	293P4	SEAL TOOL (S/P)
35	273P4	TUB COVER GASKET TOOL (S/P)
36	254P4P	AGITATOR HOOKS (S/P)

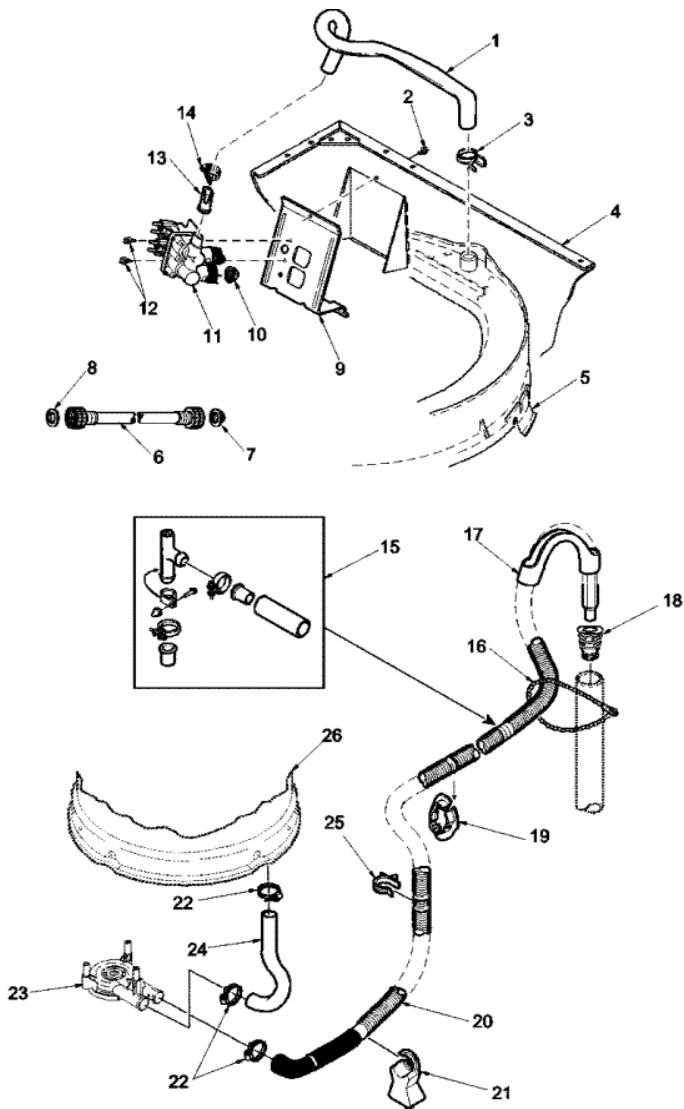


Distribuidor Autorizado

SurteRápido.com

Venta de Refacciones  
Electrodomesticas

## LWA50AW MANGUERA





## LWA50AW MANGUERA

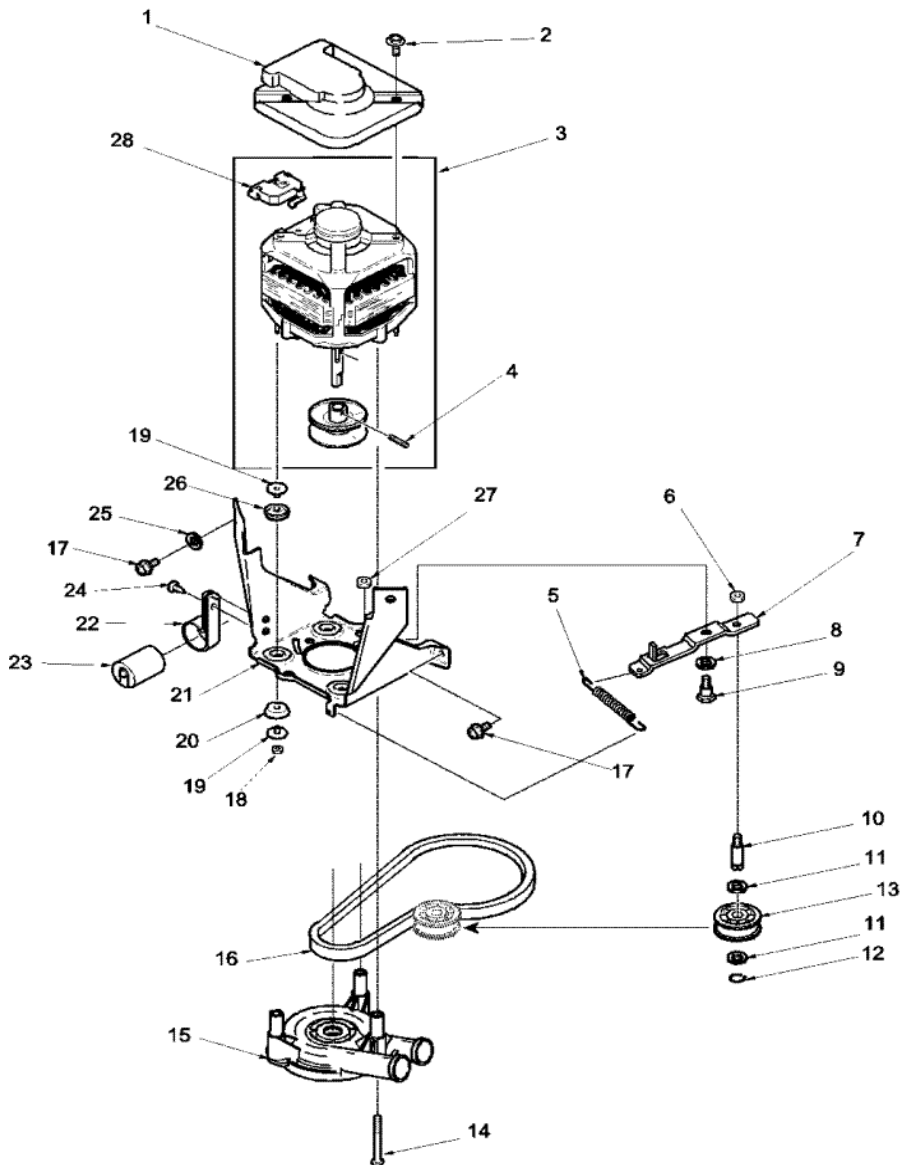
1	38155	HOSE, MIX VALVE TO TU (S/P)
2	503661	SCREW, 10-16X.44 UNS (S/P)
3	29210	HOSE CLAMP (S/P)
4	38612WP	CABINET (S/P)
5	37502	COVER, OUTER TUB (S/P)
6	20617	HOSE, INLET (8 FT) (S/P)
6	21001467	HOSE, INLET (10 FT) (S/P)
6	202860	HOSE, WATER INLET 5 FEET (S/P)
7	22002960	WASHER, FILTER (S/P)
8	20290	WASHER, 19/32 IDX1.031 (S/P)
9	39407	MIXING VALVE MOUNTING BRACKET (S/P)
10	22002960	INLET SCREEN (S/P)
11	R0131578	MIXING VALVE (S/P)
12	501086	SCREW, 8B-18X3/8 SLT (S/P)
13	22001900	PREVENTOR, BACKFLOW (S/P)
14	25-7867	CLAMP, HOSE (S/P)
15	562P3	SIPHON KIT
16	8539404	STRAP, STANDPIPE BEAD (S/P)
17	22003814	SLEEVE, DRAIN HOSE (S/P)
18	36878	STAND PIPE ADAPTER
19	32219	RELIEF, STRAIN (S/P)
20	40053901	HOSE, DRAIN
21	40044901	HOSE SUPPORT (S/P)
22	27001024	CLAMP, HOSE (S/P)
24	40094201	TUB-TO-PUMP HOSE (S/P)
25	36014	CLIP, RETAINER-HOSE (S/P)

Distribuidor Autorizado

SurteRápido.com

Venta de Refacciones  
Electrodomesticas

## LWA50AW MOTOR





## LWA50AW MOTOR

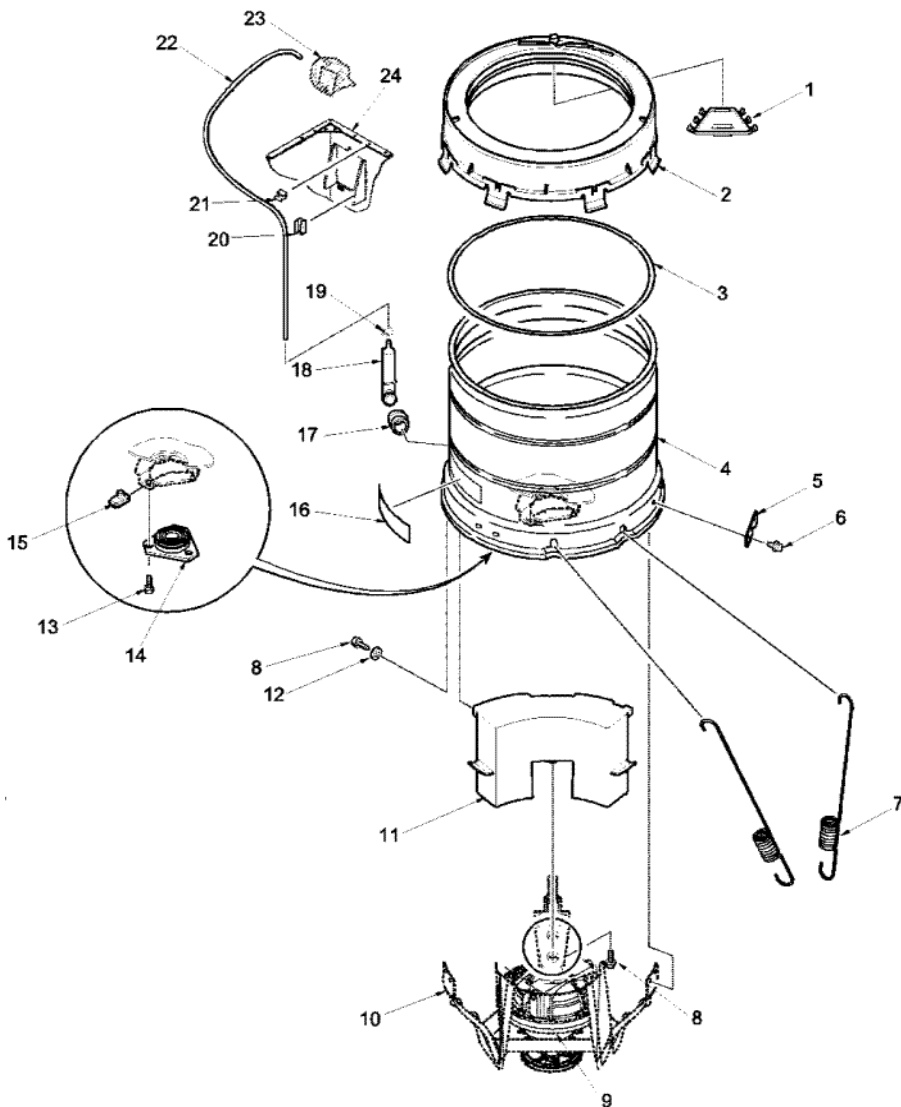
1	40112301	MOTOR SHIELD (S/P)
2	4312464	SCREW (S/P)
3	27001215	MOTOR ASSY-115V, 60HZ, 2 SPEED
4	10416	<b>DESCONTINUADO</b>
5	40061401	IDLER LEVER SPRING
6	2221070	LOCKNUT (S/P)
7	40041002	IDLER LEVER
8	40054701	WASHER (S/P)
9	27229	SHOULDER BOLT (S/P)
10	56461	IDLER SHAFT
11	52549	WASHER, 501 ID X3/4 ODX (S/P)
12	23748	RING, RETAINING (S/P)
13	40045001	IDLER PULLEY
14	40063701	SCREW (S/P)
15	27001233	PUMP ASSEMBLY
16	27001007	BELT
17	35369	SCREW (S/P)
18	35423	NUT (S/P)
19	40053701	MOTOR MOUNT POST (S/P)
20	40054301	MOTOR MOUNT LOWER (S/P)
21	40015502R	MOTOR MOUNTING BRACKET
22	27001107	CLAMP, CAPACITOR (S/P)
23	40084501	CAPACITOR (S/P)
25	37772	WASHER, ALUMINUM .34X (S/P)
26	40053801	MOTOR MOUNT UPPER (S/P)
27	27001225	NUT, HEX JAM 1/4-20L (S/P)
28	35632	SWITCH, MOTOR

Distribuidor Autorizado

SurteRápido.com

Venta de Refacciones  
Electrodomesticas

LWA50AW TINA





**LWA50AW TINA**

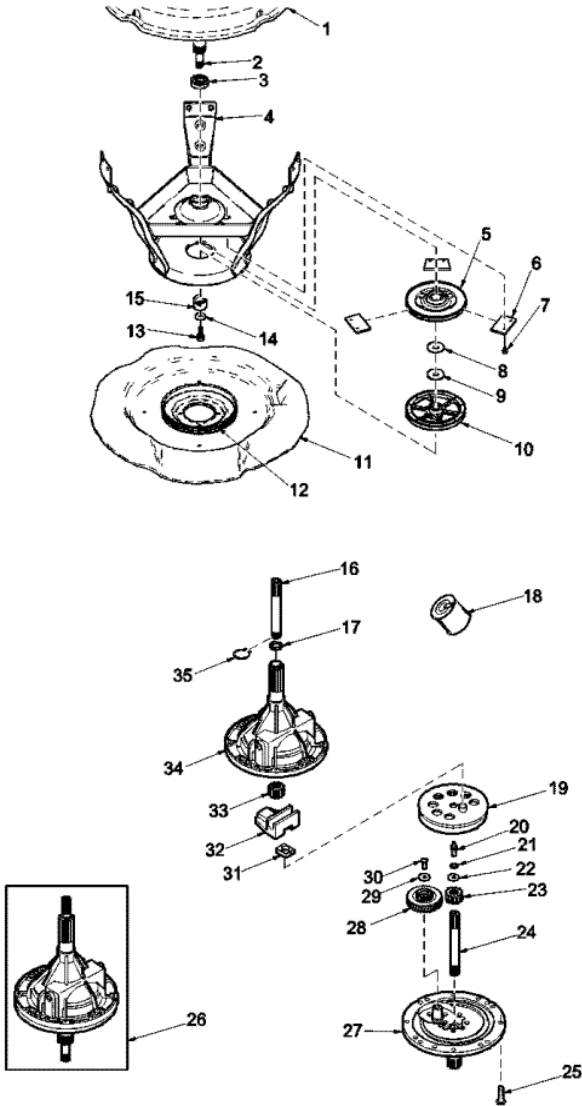
1	39079	<b>DESCONTINUADO</b>
2	37502	COVER, OUTER TUB (S/P)
3	38359	GASKET, TUB COVER LARGE (S/P)
4	37813P	TUB, OUTER-TALL (S/P)
5	27926	PLATE, LEG .063 (S/P)
6	35369	SCREW (S/P)
7	40045202	MODULE SPRINGS
8	37766	SCREW (S/P)
11	38769	ASSY, COUNTERWEIGHT (S/P)
12	37767	WASHER, ALUMINUM .28X (S/P)
13	36991	SCREW, CAP (S/P)
14	40004201P	BEARING HOUSING ASSEMBLY
15	27222	NUT, RETAINER 5/16-18
16	500049	STICKER (S/P)
17	40037801	GROMMET
18	40008501	PRESSURE BULB
19	596669	HOSE CLAMP (S/P)
20	36985	CLIP, HOSE (S/P)
21	21036	CLIP, CABLE (S/P)
22	39125	<b>DESCONTINUADO</b>
24	38612WP	CABINET (S/P)

Distribuidor Autorizado

SurteRápido.com

Venta de Refacciones  
Electrodomesticas

## LWA50AW TRANSMISION





**LWA50AW TRANSMISION**

3	40004001	BEARING
4	39253	ASSY, WELD & BEARING (S/P)
5	R9900474	BRAKE
6	R0000014	BRAKE PAD
7	37836	SCREW (S/P)
8	40065701	WASHER
9	40063201	WASHER
10	40047202	PULLEY ASSY
11	39788	BASE (S/P)
12	40037401	FRICION RING
13	27220	SCREW
14	40041501	WASHER
15	40047402	HELIX
16	36570	SHAFT, OUTPUT
17	35092	WASHER, 3628ID X 1.00 X .056 (S/P)
18	27243P	<b>DESCONTINUADO</b>
19	26577	ASSY, GEAR & STUD
20	27030	SCREW, 1/4-20 SPECIAL (S/P)
21	21456	LOCKWASHER, 1/4 INTSHKP (S/P)
22	40041501	WASHER
23	37406	PINION, DRIVE (S/P)
24	38268	SHAFT, INPUT (S/P)
25	32814	SCREW, 1/4-20X7/8 SERRA (S/P)
26	12002178	TRANSMISSION ASSY
27	Y37471	ASSY, TRANSMISSION COVER (S/P)
28	37403	GEAR, REDUCTION (S/P)
29	29260	WASHER (S/P)
30	29273	SCREW, 1/4-20 X 3/8 (S/P)
31	26493	SLIDE
32	Y31526	RACK (S/P)
33	27003	PINION, AGITATOR
34	33223	ASSY, TRANSMISSION CASE (S/P)
35	27197	RING, RETAINING