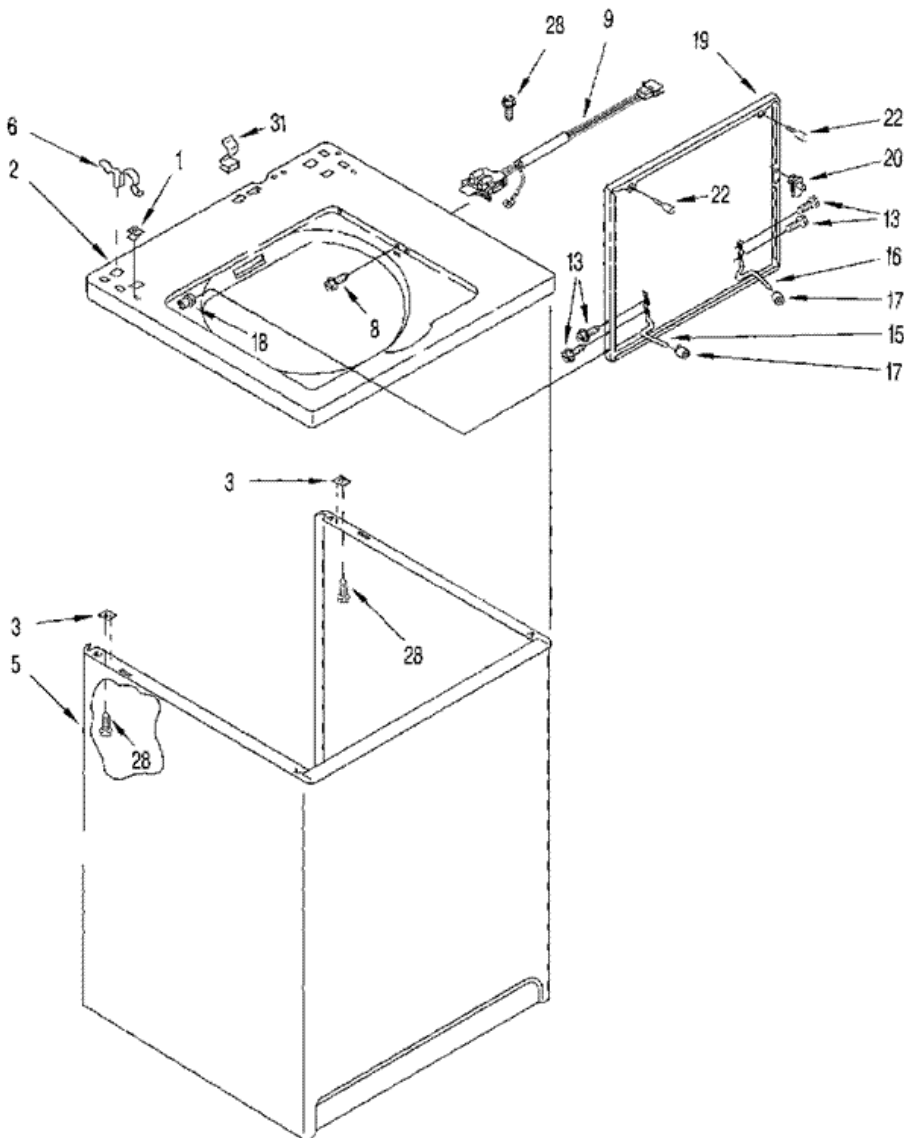


Distribuidor Autorizado

SurteRápido.com

Venta de Refacciones
Electrodomesticas

LXR7144EW0 GABINETE





LXR7144EW0 GABINETE

1	357213	NUT, PUSH-IN (2) (S/P)
2	3949310	TOP DESCONTINUADO
2	3949311	TOP DESCONTINUADO
3	62750	SPACER, CABINET TO TOP (4) (S/P)
5	63424	CABINET (S/P)
5	63425	CABINET (FOR DESIGNER ALMOND MODEL)
6	62780	CLIP, TOP & CABINET & REAR PANEL (2)
8	3356311	SCREW & WASHER, LID SWITCH (2) (S/P)
9	3949237	SWITCH, LID
13	3351355	SCREW, LID HINGE MOUNTING (4) (S/P)
15	54584	HINGE, LID (L.H.) (S/P)
16	54583	HINGE, LID (R.H.) (S/P)
17	19119	BUMPER, LID HINGE (S/P)
18	21258	BEARING, LID HINGE (2) (S/P)
19	3361396	LID (FOR DESIGNER ALMOND MODEL) (S/P)
19	3361395	LID (FOR DESIGNER WHITE MODELS) (S/P)
20	358684	STRIKE, LID SWITCH
22	93770	BUMPER, LID (2)
28	384435	SCREW, 10-16 X 1/2 (4) (S/P)
31	90016	CLIP, HARNESS (S/P)

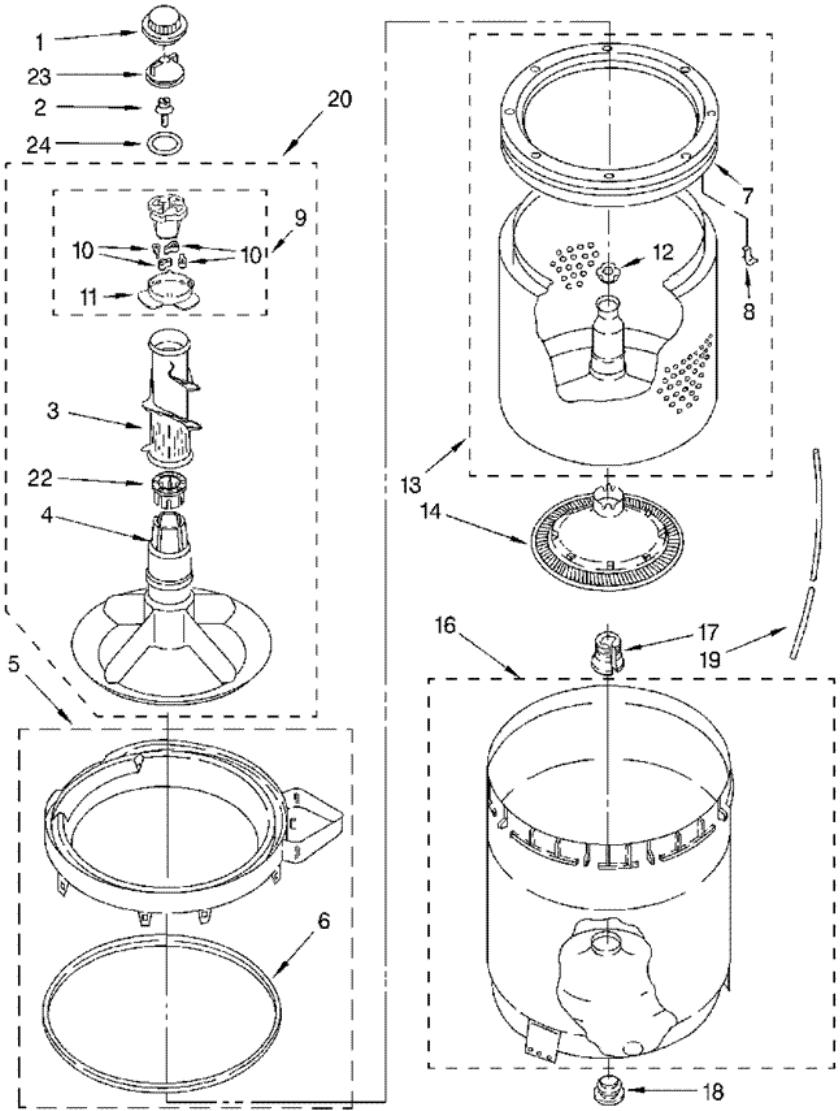


LXR7144EW0 TABLERO

1	16123	WASHER, WATER INLET HOSE (4) (1-1/16 X 5/8) (S/P)
3	89503	HOSE, WATER INLET (2) (HOSE (INLET))
4	3357027	NOZZLE-DRAIN HOSE (S/P)
5	387402	HINGE, CONSOLE (2)
6	3357978	PANEL, REAR (S/P)
7	62747	PAD, REAR PANEL (S/P)
8	285664	HOSE, DRAIN (4' - 8'')
8	661577	HOSE, DRAIN (9' - 9'') (NOT INCLUDED) (S/P)
8	285702	EXTENSION, DRAIN HOSE (21 INCHES) (S/P)
9	3948323	TIMER, CONTROL (60 HZ.)
11	90767	SCREW, 8A X 3/8 (S/P)
12	3356466	SWITCH, WATER LEVEL
13	3948608	BRACKET, CONTROL (S/P)
14	285800	CORD, POWER (S/P)
15	285777	STRAIN RELIEF, POWER CORD (S/P)
16	285846	CAP, END (L.H.) (FOR WHITE MODEL)
16	285848	CAP, END (L.H.) (FOR DESIGNER ALMOND) (S/P)
16	285846	CAP, END (L.H.) (FOR DESIGNER WHITE)
17	96160	SCREEN, FILTER (2) (S/P)
18	285805	VALVE, WATER MIXING
19	90864	SCREW, 10-24 X 3/8 (2) (S/P)
21	596669	CLAMP, HOSE (S/P)
22	3357328	HOSE, VACUUM BREAK
23	596669	CLAMP, HOSE (S/P)
24	3347034	BREAK, VACUUM
25	8519200	SUPPORT, REAR PANEL
26	8317940	HOSE-CORRUGATED ASSY.
27	356138	CLAMP, HOSE (S/P)
30	371502	CLAMP, HOSE (S/P)
31	285655	CLAMP, HOSE (S/P)
32	285871	HOSE, PUMP TO TUB
35	661614	SWITCH, WATER TEMPERATURE (S/P)
36	96435	SCREW, TIMER MOUNTING (10-32 X 1) (2)

39	3948256	PANEL, CONSOLE (FOR WHITE) DESCONTINUADO
39	3948257	PANEL, CONSOLE (WHITE) DESCONTINUADO
39	3948258	PANEL, CONSOLE (ALMOND) DESCONTINUADO
44	3364291	KNOB, TIMER (FOR DESIGNER WHITE)
44	3364290	KNOB, TIMER (FOR WHITE)
44	3364293	KNOB, TIMER (FOR DESIGNER ALMOND)
45	8274331	DIAL, TIMER (WHITE) DESCONTINUADO
45	280193	DIAL, TIMER (FOR ALMOND MODEL)
47	3950760	KNOB, CONTROL (FOR DESIGNER ALMOND) (S/P)
47	8538957	KNOB, CONTROL (FOR WHITE) (S/P)
47	3957796	KNOB, CONTROL (FOR DESIGNER WHITE) (S/P)
49	388326	SCREW, 8-18 X 1.25 (PANEL TO TOP) (S/P)
50	62863	SCREW, 10-16 X 3/8 (S/P)
51	285848	CAP , END (R.H.) (FOR DESIGNER ALMOND) (S/P)
51	285846	CAP , END (R.H.) (FOR DESIGNER WHITE)
55	3357011	SCREW, 10-16 X 1/2 (S/P)
58	3357331	CLAMP, DRAIN HOSE (S/P)
59	3950049	WIRING, HARNESS DESCONTINUADO

LXR7144EW0 TINAS

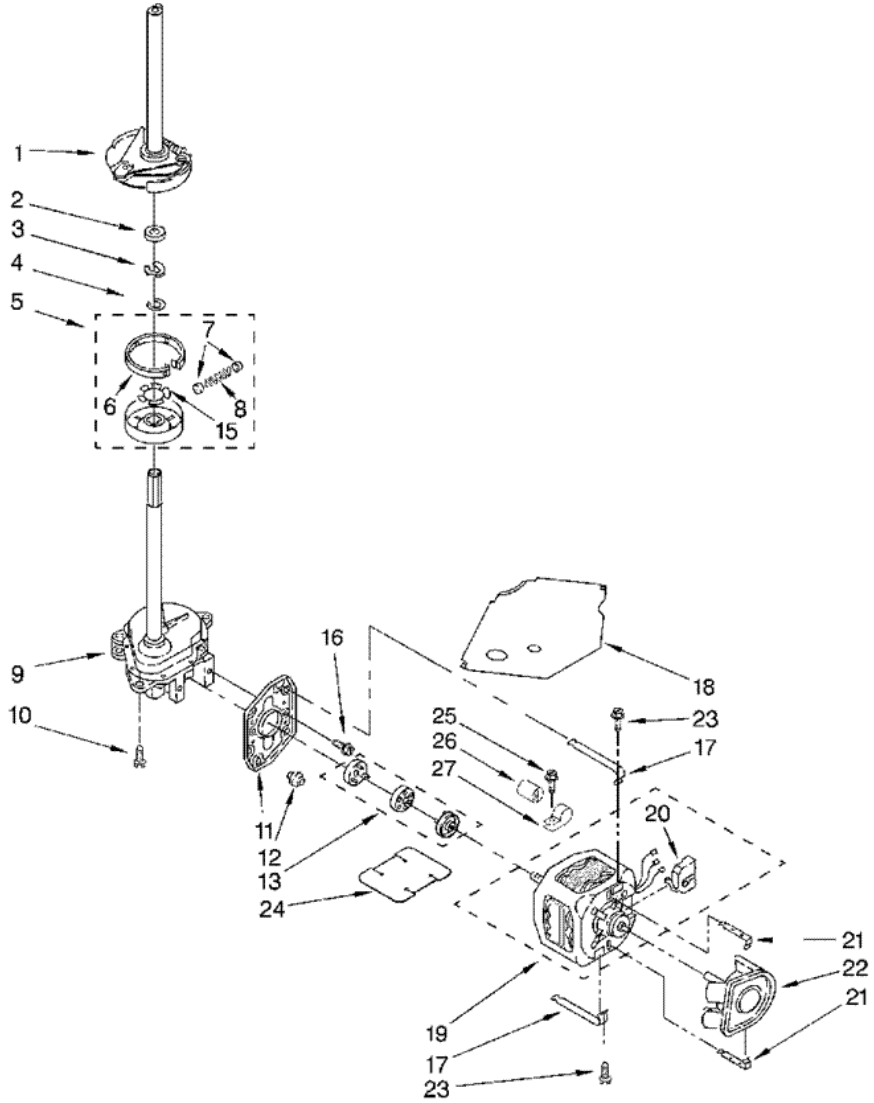




LXR7144EW0 TINAS

1	3355758	CAP, AGITATOR (S/P)
2	358237	SCREW & WASHER (5-16-24 X 1)
3	3349019	CLOTHES MOVER
4	3350830	AGITATOR
5	3360611	TUB RING & GASKET (S/P)
6	3359586	GASKET, TUB RING
7	8519815	CLIP, BALANCE RING (8) (S/P)
8	3956205	BALANCE RING
9	285811	CAM DRIVEN
10	285770	DOG, AGITATOR CLUTCH
11	3363661	BEARING-DRIVEN CAM (S/P)
12	21366	NUT, SPANNER
13	3956207	BASKET & BALANCE RING (S/P)
14	285868	FILTER, PLATE
16	63125	TUB (S/P)
17	389140	BLOCK, BASKET DRIVE
18	383727	GASKET, CENTER POST
19	353244	HOSE, PRESSURE SWITCH
20	285574	AGITATOR (COMPLETE ASY)
22	285587	SPACER, THRUST
23	285551	CAP, BARRIER
24	3348855	SEAL, INNER CAP

LXR7144EW0 MOTOR





LXR7144EW0 MOTOR

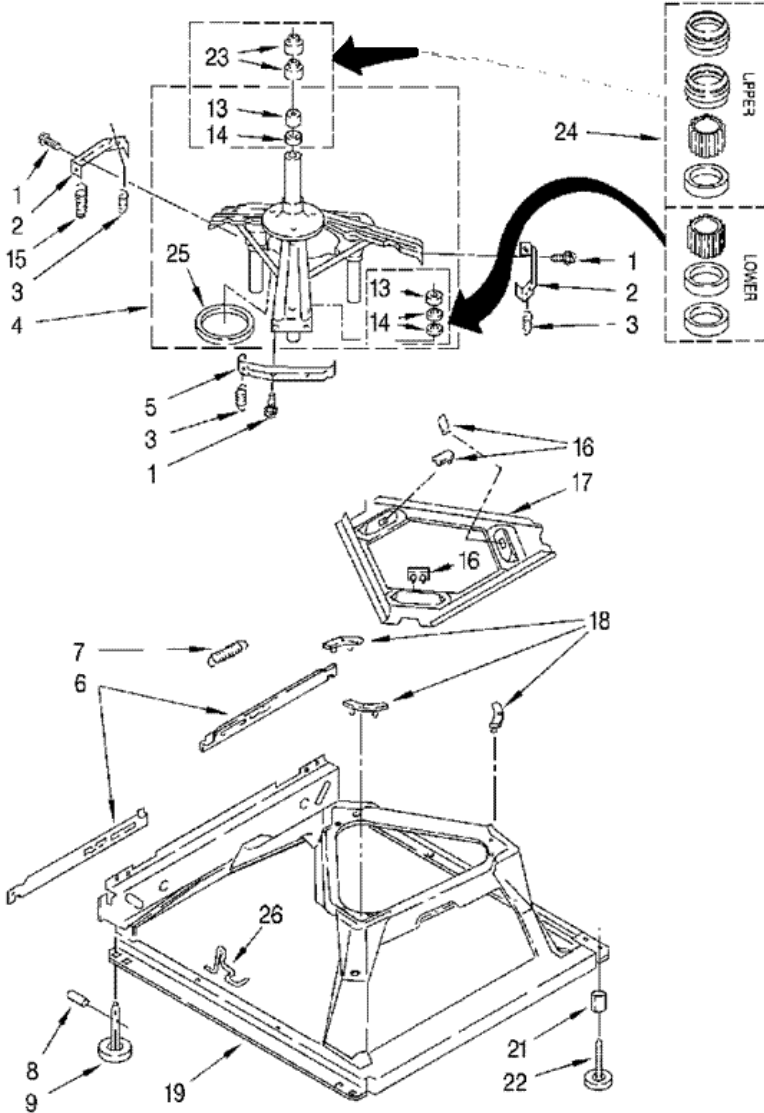
1	285792	BRAKE & DRIVE TUBE (COMPLETE)
2	63292	WASHER, SPIN TUBE THRUST
3	62697	RING, SPIN TUBE SUPPORT
4	285353	RING, RETAINER
5	285785	CLUTCH (COMPLETE)
6	285790	BAND & LINING, CLUTCH (INCLUDES ILLUS. 7 & 8)
7	62646	CAP, CLUTCH SPRING (2) (S/P)
8	3946792	SPRING, CLUTCH (S/P)
9	3360629	GEARCASE (COMPLETE)
10	3357334	SCREW, GEARCASE TO BASE (3) (S/P)
11	62611	PLATE, MOTOR MOUNT TO GEARCASE (S/P)
12	62691	GROMMET, MOTOR (4)
13	285735	COUPLING, MOTOR & ISOLATION
15	3355454	CLIP, ANTI-RATTLE (S/P)
16	3357334	SCREW (S/P)
17	3349637	RETAINER, MOTOR (2)
18	3362089	SHIELD, TUB TO MOTOR (S/P)
19	389248	MOTOR, MAIN DRIVE
20	8529896	SWITCH, MAIN DRIVE MOTOR (S/P)
21	62700	RETAINER, PUMP (2)
22	3363394	PUMP (COMPLETE)
23	3387485	SCREW, 10-16 X 5/8 (S/P)
24	3946532	SHIELD, MOTOR (S/P)
24	3348855	SEAL, INNER CAP
25	62863	SCREW, 10-16 X 3/8 (S/P)
26	8572717	CAPACITOR (S/P)
27	357030	CLAMP, CAPACITOR (S/P)

Distribuidor Autorizado

SurteRápido.com

Venta de Refacciones
Electrodomesticas

LXR7144EW0 BASE

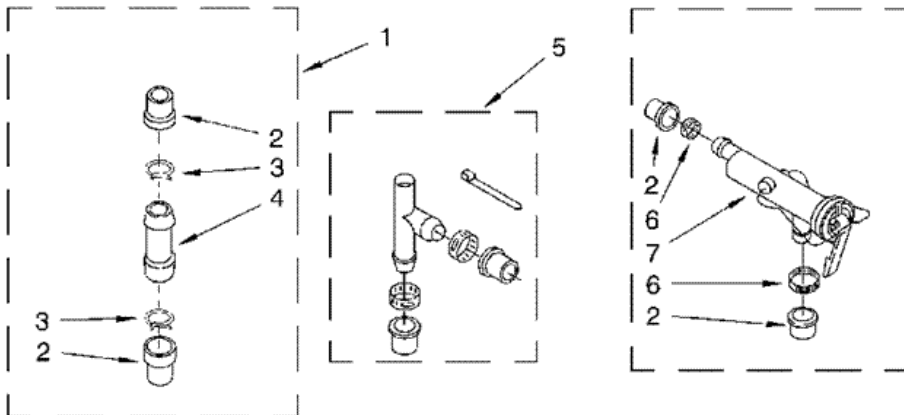




LXR7144EW0 BASE

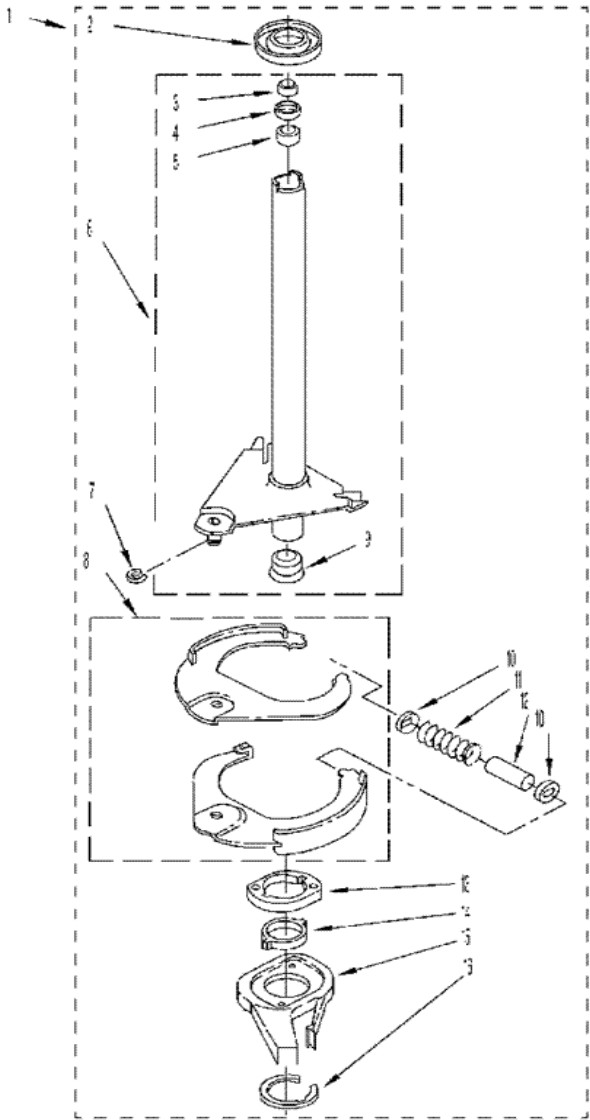
1	343641	SCREW, BRACKET MOUNTING (10-16 X 1/2) (S/P)
2	64067	BRACKET, SPRING OUTER (2)
3	63907	SPRING, SUSPENSION (3)
4	63740	SUPPORT & BRAKE, TUB
5	64065	BRACKET, SPRING OUTER (L.F.)
6	63466	LINK, LEVELING MECHANISM (2) (S/P)
7	8316845	SPRING, LEVELING MECHANISM
8	62837	PIN, KNURLED (S/P)
9	285244	FOOT, REAR (2) (S/P)
13	8546455	BEARING, CENTERPOST (2) (S/P)
14	359449	SEAL, CENTERPOST (3)
15	388492	SPRING, COUNTERWEIGHT
16	285219	PAD, PLATE
17	3946509	PLATE, SUSPENSION (INCLUDES ILLUS. 16) (S/P)
18	285744	PAD, BASE
19	285771	BASE ASSEMBLY
21	3359452	NUT, LOCK (3/8-16) (S/P)
22	389102	FOOT, FRONT (2)
23	91938	SEAL, CENTERPOST (2)
24	285203	CENTERPOST BEARING KIT
25	63134	RING, SOUND DEADENING
26	63806	RETAINER, SUSPENSION SPRING

LXR7144EW0 SISTEMA DE AGUA



1	285442	CONNECTOR KIT, PLASTIC DRAIN HOSE (S/P)
2	285321	SLEEVE KIT, (CONTAINS 2 SLEEVES) (S/P)
3	285655	CLAMP, HOSE (S/P)
4	16272	CONNECTOR, STRAIGHT (S/P)
5	285320	SIPHON BREAK KIT (NOT INCLUDED) (S/P)
6	285655	CLAMP, HOSE (S/P)
7	367031	DRAIN PROTECTOR (NOT INCLUDED) (S/P)

LXR7144EW0 FLECHA HUECA





LXR7144EW0 FLECHA HUECA

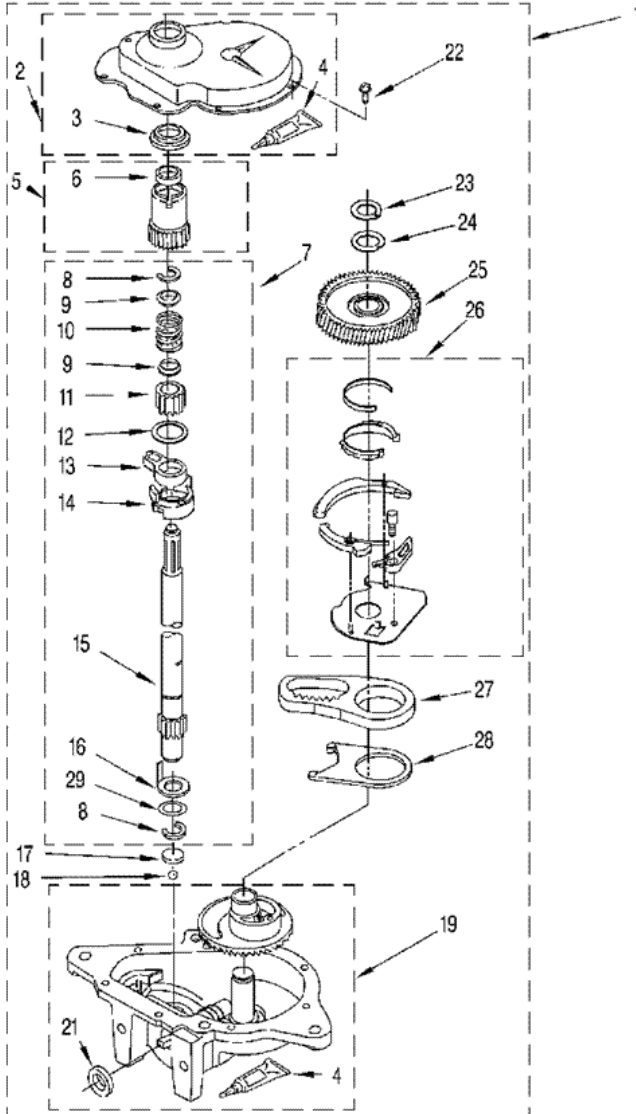
1	285792	BRAKE AND DRIVE TUBE (COMPLETE)
2	62658	RING, THRUST
3	91939	SEAL, OIL
4	356427	SEAL, DRIVE TUBE
5	356937	SPACER, DRIVE TUBE
6	285792	TUBE, BASKET DRIVE (INCLUDES ILLUS. 3, 4, 5, & 9)
7	W10083190	RING, RETAINING (S/P)
8	285438	SHOE, BRAKE
9	62703	``T`` BEARING, SPIN TUBE
10	285658	CAP, BRAKE SPRING (2) (S/P)
11	62647	SPRING, BRAKE DESCONTINUADO
12	285658	SLEEVE, BRAKE SPRING (S/P)
13	661516	CAM, BRAKE RELEASE
14	63022	SLEEVE, CAM DESCONTINUADO
15	285790	DRIVER, BRAKE CAM
16	90368	RING, RETAINING
16	285208	LUBRICANT (S/P)

Distribuidor Autorizado

SurteRápido.com

Venta de Refacciones
Electrodomesticas

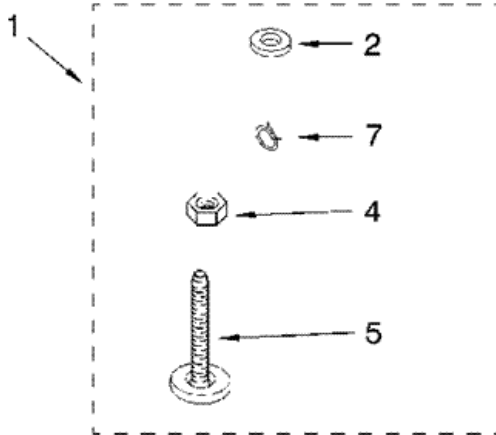
LXR7144EW0 TRANSMISION





LXR7144EW0 TRANSMISION

1	3360630	GEARCASE (COMPLETE) (S/P)
2	285202	COVER, GEARCASE (S/P)
3	3349985	SEAL, GEARCASE COVER
4	285195	SEALER, GASKET (.20 FL. OZ.) (6 ML) (S/P)
5	285362	PINION, SPIN (INCLUDES ILLUS. 25)
6	356427	SEAL, SPIN PINION
7	389387	SHAFT, AGITSTOR (COMPLETE) (S/P)
8	90369	RING, RETAINING (2)
9	62677	RETAINER, SPRING
10	62676	SPRING, AGITATOR
11	285509	GEAR, AGITATE DESCONTINUADO
12	62619	WASHER, AGITATOR GEAR (S/P)
13	285206	CAM FOLLOWER (INCLUDES 14)
14	285206	CAM, AGITATE (INCLUDES 13)
15	285509	SHAFT, AGITATOR DESCONTINUADO
16	62618	WASHER, CAM THRUST
17	285205	BEARING, THRUST
18	285205	BALL, BEARING
19	285515	BOTTOM AND PINION, GEARCASE (S/P)
21	285352	SEAL, THRUST PLUG
22	3351614	SCREW, GEARCASE COVER, MOUNTING (8) (S/P)
23	285765	RING, RETAINING
24	285735	WASHER KIT, THRUST
25	285362	GEAR, SPIN
26	388253	NEUTRAL ASSEMBLY
27	3949609	RACK, CONNECTING
28	62621	ACTUATOR, SHIFT
29	388815	WASHER, INTERMEDIATE DESCONTINUADO



1	285609	MISCELLANEOUS PARTS BAG (S/P)
2	16123	WASHER, INLET HOSE (1-1/16 X 5/8) (4) (S/P)
4	3359452	NUT, LOCK (3/8-16) (S/P)
5	389102	FOOT, FRONT (2)
7	356138	CLAMP, HOSE (S/P)