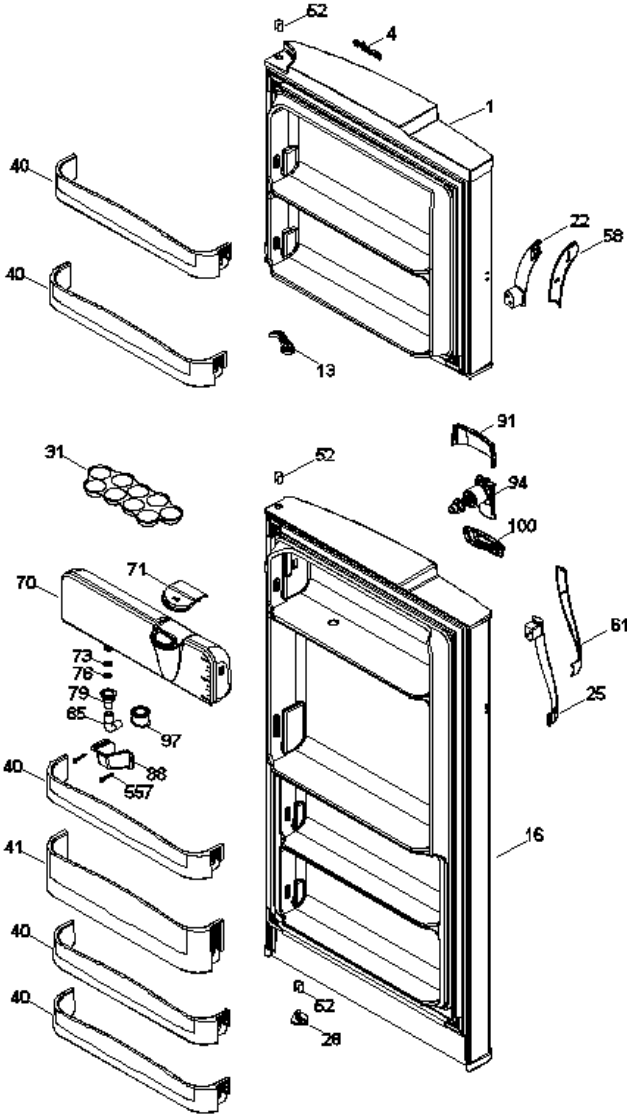
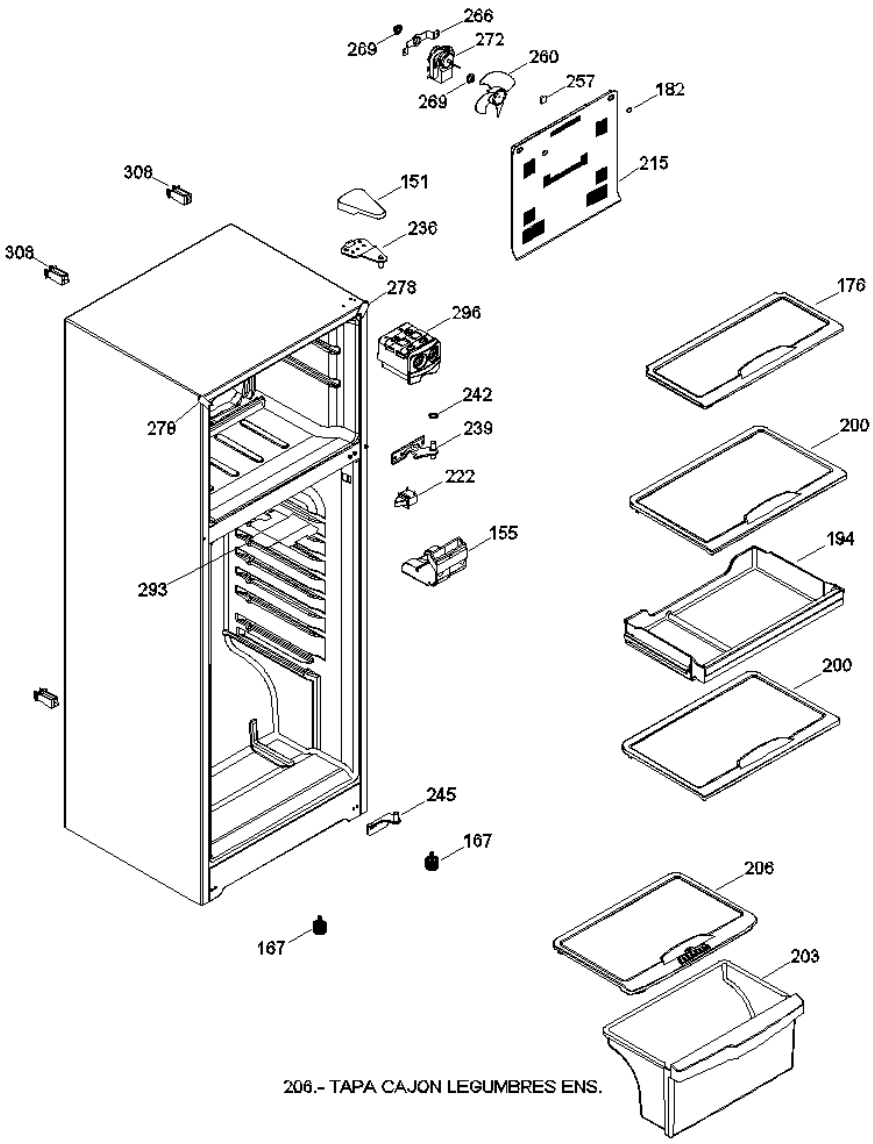


**MA011XJMS0**

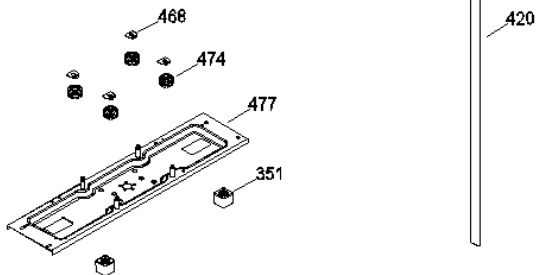
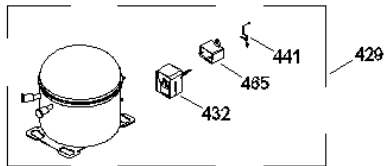
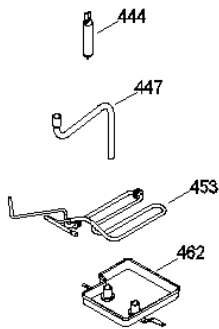
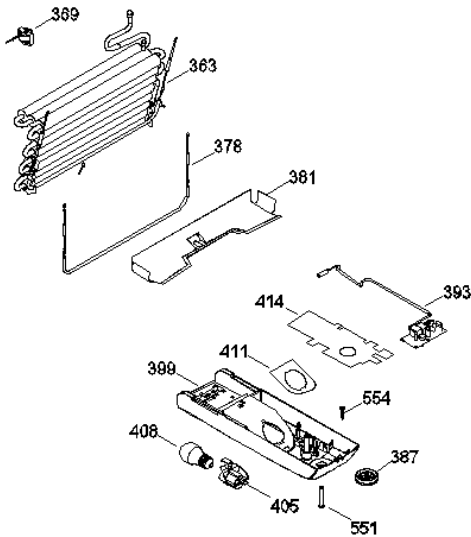
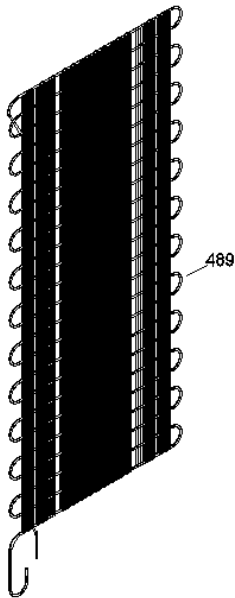


**MA011XJMS0**



206.- TAPA CAJON LEGUMBRES ENS.

**MA011XJMS0**





MA011XJMS0

1	225D1724G006	PTA.FZ.ESP.11PERS.ESC
4	238C2881P001	PLACA EMBLEMA MABE SED
13	200D3835P002	TOPE PTA CONG NAT CIERRE FORZA
16	225D1725G006E	PTA.FF.ESP.11 PERS.ESC
22	225D1747P003	BASE JALADERA ESCALONA
25	225D1747P006	BASE JALADERA ESCALONA
28	238C3525P001	TOPE PUERTA FF PERS.ES
31	238C1489P006	CHAROLA DE HUEVOS AZUL
40	200D2698P019	ANAQ.C/JOR.ANG.PIGMENT
41	200D2699P007	ANAQ.C/JOR.ANC.PIGMENT
52	238C2207P001	BUJE PUERTA
58	225D1748P009	INS.JAL.ESCALONADO FZ
61	225D1748P012	INS.JAL.ESCALONADO FF
70	225D2469P001	TANQUE DE AGUA S/GRAF.
71	355B2929G001	CUBIERTA TANQUE DE AGU
73	355B2928P001	ANILLO PLASTICO PERS.0
76	355B2928P002	ANILLO PLASTICO(DISPEN
79	355B2808P001	ACOPLE (CONECTOR DEL T
85	355B2809P001	CODO CONECTOR DISPENSA
88	355B2810P001	CUB.CONEXIONES DISPENS
91	238C3557P004	CUB.RECESO DISPENS.GRI
94	238C3617G004	VALVULA/ACTUADOR/AISLA
97	355B2932P001	CUBIERTA ESPUMA(DESCAC
100	238C3558P001	BANDEJA DE ESCURRIMIEN
151	186D1080P005	TAPA BISAGRA SUPERIOR GRIS
155	238C3694G001	DUCTO AIRE.ENS.PERS.EP
167	314B8640P010	TORNILLO NIVELADOR GRIS
176	225D1704G004	ENS.PARR.CRISTAL.FZ.C/
182	355B2012P001	TAPON TORNILLO CUB.EVA
194	200D8001P009	CAJON CARNES PIGMENTAD
200	225D1707G004	ENS.PARR.CRISTAL.FF.C/
203	225D1712P003	CAJON LEGUMBRES PIGM.P
206	225D1711G002	ENS.TAPA CAJON C/GRAF.

215	200D9300G010	CAMARA DE AIRE MB.11P
222	314B8274P001	INTERRUPTOR FOCO
236	355B1769G002	BISAGRA SUPERIOR ENS.
239	355B1718G009	BISAGRA INTERMEDIA ENS
242	238C1981P001	RONDANA BISAGRA
245	355B3188G001	BISAGRA INF.ENS.PERS
257	355B1485P001	CLIP ADHESIVO EVAP
260	197D3131G006	ASPA VENTILADOR Y ANILLO ENS.
266	238C1189P002	SOPORTE MOTOR VENTILADOR
269	221C5143P001	EMPAQUE MOTOR VENTILADOR
272	200D2940P009	MOTOR VENT PERSEUS ENCAPSULADO
278	186D5264P009	ESQUINERO PLASTICO GRI
293	238C3533P001	AISLANTE ELECTRICO PER
296	200D7574G007	DESM.HIELOS"PRACTIHIEL
308	238C2369P002	CLIP CONDENSADOR
351	238C2459P001	TACON POSTERIOR SOPORTE COMP
363	200D6739G005	EVAP.EC."L"C/RESISTENC
369	238C1015P005	TERMOSTATO DESHIELO PERSEUS
378	238C2216G013	RESISTENCIA 220WATTS P
381	186D2836P001	CHAROLA DE DRENAJE
387	238C3223P004	PERILLA CTRL.TEMP.PERS
393	200D9607G001	TARJETA CTROL L.CALIEN
399	225D1996P002	CAJA CTRL.ELECTRONICA
405	186D1259G001	SOCKET Y TERM ENS
408	314B9124P001	FOCO (25 W)
411	238C2629P001	FOIL ALUMINIO P/CAJA CTROL STD
414	355B2802P001	FOIL P/CAJA ELECTRONIC
420	200D6711G001	ARNES TOMACORRIENTE ST
429	220C_BZN100L2G	COMPRESOR CBZN100 C/ACEITE ENS
432	200D5578P016	5SP16B276RH P/COMP CBZN100L2
441	355B2089P004	SUJETADOR CLIP 5SP
444	221C5100P006	FILTRO DESHIDRATADOR E
447	314B8606P001	CESPOL
453	221C8378G004	TUBO SERPENTIN AUXILIAR ENS.
462	238C2234G001	CHAROLA EVAP ENS
465	238C2606P002	CAPACITOR DE 10MFD
468	203C5262P001	AMORTIGUADOR
474	871516P006	SEGURO DE SUJECION COMPRESOR

477	225D2798G001M	SOPORTE COMPRESOR ENSAMBLE
489	200D5028P002	CONDENSADOR PLANO
551	314B8355P001	TORNILLO 8-19 HI/LO
554	355B1714P002	TORNILLO PISO CONGELADOR
557	355B2930P001	TORNILLO P/DISPENSADOR