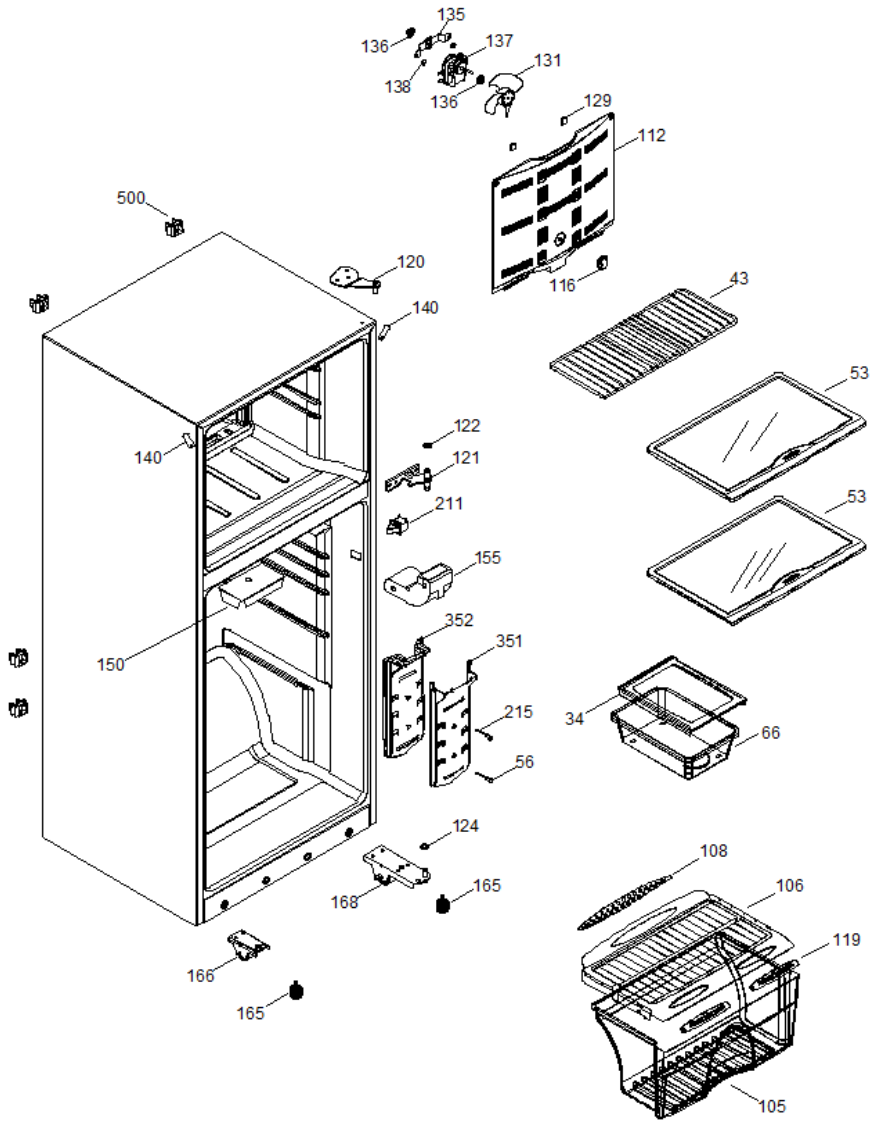
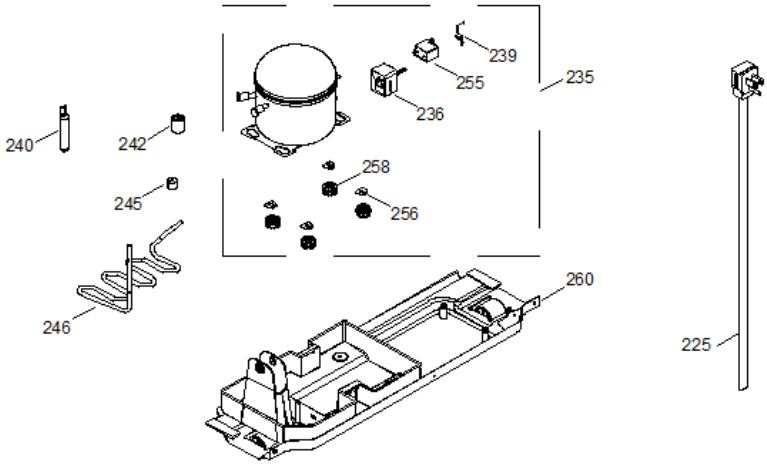
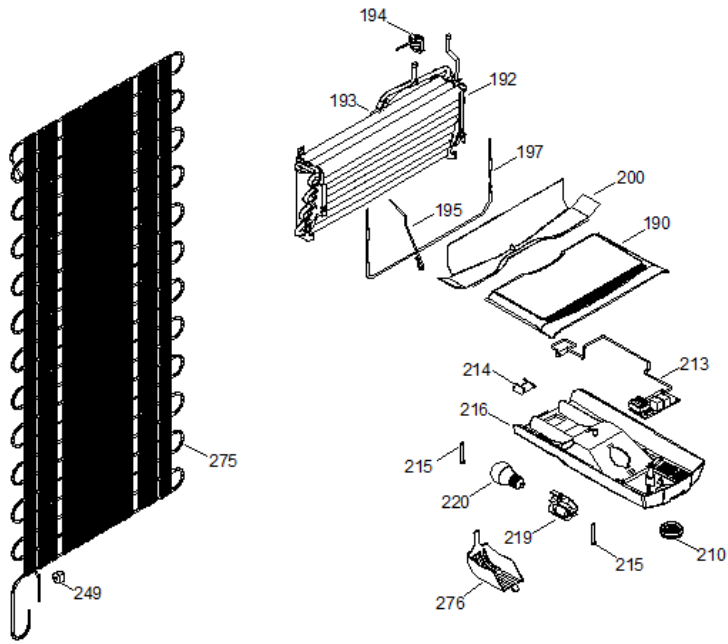


MA021WIMS0



106.- TAPA CAJON LEGUMBRES ENS.

MA021WIMS0





MA021WIMS0

| | | |
|-----|--------------|--------------------------------|
| 1 | 200D8868G007 | PTA.FZ.ESP.12 MB.SILV |
| 2 | 238C2881P001 | PLACA EMBLEMA MABE SED |
| 4 | 238C1221P005 | TAPON BUJE GRIS |
| 5 | 355B1499P006 | TOPE PUERTA CONGELADOR NATURAL |
| 9 | 200D8874G005 | PTA.FF.ESP.12MB.SILV. |
| 13 | 238C3163P001 | CUBIERTA JALADERA FZ G |
| 16 | 200D2724P004 | CHAROLA DE HUEVOS |
| 18 | 200D6478P001 | ANAQUEL DESLIZABLE 12-14 |
| 19 | 200D2107P002 | ANAQUEL ANGOSTO REFRI/CONG. |
| 23 | 200D4235P001 | ANAQUEL INCLINADO |
| 27 | 238C2207P001 | BUJE PUERTA |
| 31 | 238C3164P001 | CUBIERTA JALADERA GRIS |
| 34 | 200D9491P001 | SOPORTE CAJON 13-15 |
| 41 | 200D5143P003 | CHAROLA HIELOS TRANSPARENTE |
| 43 | 238C1770P002 | PARRILLA CONG.ALAMBRE |
| 44 | 200D5144P009 | PERILLA FAB HIELOS |
| 45 | 200D9333P001 | CHAROLA DE HIELOS |
| 53 | 200D9889G005 | ENS.PARR.FF.CRIS.S/SOP |
| 56 | 221C5126P001 | TAPON BCO |
| 66 | 200D2889P001 | CAJON CARNES |
| 105 | 238C1833G005 | CAJON LEGUMBRES GRANDE ENS |
| 106 | 238C2796G004 | TAPA CAJ.LEG.GDE.PLAST |
| 108 | 200D2796P004 | INSERTO TAPA CAJON LEGUMBRES |
| 112 | 200D8898G003 | CUBIERTA ENS.EVAP.COMP |
| 116 | 355B2155P005 | PERILLA REGULADOR MB N |
| 119 | 200D2681P002 | CONTROL DE HUMEDAD |
| 120 | 200D3939G003 | BISAGRA SUPERIOR DERECHA |
| 121 | 355B1718G004 | BISAGRA INTERMEDIA |
| 122 | 238C1981P001 | RONDANA BISAGRA |
| 124 | 203C2032P010 | RONDANA BISAGRA INTERMEDIA |
| 129 | 355B1485P001 | CLIP ADHESIVO EVAP |
| 131 | 197D3131G006 | ASPA VENTILADOR Y ANILLO ENS. |
| 135 | 238C1189P002 | SOPORTE MOTOR VENTILADOR |

| | | |
|-----|----------------|--------------------------------|
| 136 | 221C5143P001 | EMPAQUE MOTOR VENTILADOR |
| 137 | 200D2940P005 | MOTOR VENTILADOR EVAP. |
| 137 | 200D2940P005 | MOTOR VENTILADOR EVAP. |
| 137 | 200D2940P005 | MOTOR VENTILADOR EVAP. |
| 138 | 314B8295P002 | SEPARADOR TORNILLO |
| 140 | 355B2047P005 | ESQUINERO GAB.GRIS (ET |
| 150 | 355B2381P001 | AISLANTE ELECTRICO SUP |
| 155 | 9001882 | DUCTO ESPUMA ENSAMBLE |
| 165 | 314B8640P010 | TORNILLO NIVELADOR GRIS |
| 166 | 200D3263G008 | SOPORTE RUEDA CORTO EN |
| 168 | 200D3283G006 | SOP. RUEDA LARGO POLAR |
| 190 | 200D1400P001 | PISO CONGELADOR |
| 192 | 200D6739G002 | EVAPORADOR ENS COMPLETO |
| 193 | 221C8290P002 | ACUMULADOR |
| 194 | 238C1015P005 | TERMOSTATO DESHIELO PERSEUS |
| 195 | 203C5692P003 | ALAMBRE CALEFACTOR |
| 195 | 203C5692P003 | ALAMBRE CALEFACTOR |
| 195 | 203C5692P003 | ALAMBRE CALEFACTOR |
| 195 | 203C5692P003 | ALAMBRE CALEFACTOR |
| 197 | 238C2216G008 | RES Y ARNES 280W/120V AMARILLO |
| 200 | 200D1932P001 | CHAROLA DE DESHIELO |
| 210 | 238C3223P003 | PERILLA CTRL.TEMP.12 W |
| 211 | 314B8274P001 | INTERRUPTOR FOCO |
| 213 | 200D5940G017 | TARJETA CONTROL 12 W/ |
| 214 | 238C1799P001 | DIFUSOR CAJA CONTROL |
| 215 | 314B8355P001 | TORNILLO 8-19 HI/LO |
| 216 | 200D9890P003 | CAJA CONTROL MB ST.GS. |
| 219 | 186D1259G001 | SOCKET Y TERM ENS |
| 220 | 314B9124P001 | FOCO (25 W) |
| 225 | 200D6711G001 | ARNES TOMACORRIENTE ST |
| 235 | 220C_BZN100L2G | COMPRESOR CBZN100 C/ACEITE ENS |
| 236 | 200D5578P016 | 5SP16B276RH P/COMP CBZN100L2 |
| 239 | 355B2089P004 | SUJETADOR CLIP 5SP |
| 240 | 162D9086P004 | FILTRO DESHIDRATADOR Q |
| 242 | 355B1473P001 | VALVULA TUBO DREN |
| 245 | 314B8294P001 | AMORTIGUADOR VIBRACION |
| 246 | 200D2589G002 | TUBO SERPENTIN AUXILIAR ENS. |
| 249 | 314B9163P003 | AMORTIGUADOR PARA CONDENSADOR |

| | | |
|-----|--------------|--------------------------------|
| 255 | 238C2606P002 | CAPACITOR DE 10MFD |
| 256 | 203C5262P001 | AMORTIGUADOR |
| 258 | 871516P006 | SEGURO DE SUJECION COMPRESOR |
| 260 | 200D3274G003 | SOPORTE COMPRESOR ENSAMBLE |
| 275 | 200D5028P002 | CONDENSADOR PLANO |
| 276 | 162D7022P001 | PROTECTOR PANTALLA |
| 323 | 200D6049P005 | MARCO FAB DE HIELOS |
| 325 | 200D5146P009 | CUBIERTA FABRICA DE HIELOS |
| 326 | 200D6048P001 | BASE FAB DE HIELO TRANSPARENTE |
| 327 | 200D5142G009 | ENS FABRICA DE HIELOS |
| 328 | 238C3157P003 | ETIQ.CAJON ICE FACTORY |
| 351 | 200D5080P011 | TORRE DE AIRE W 12-14 |
| 352 | 200D5391G001 | DUCTO DE AIRE TORRE ENS |
| 500 | 238C2369P001 | CLIP CONDENSADOR PLANO |