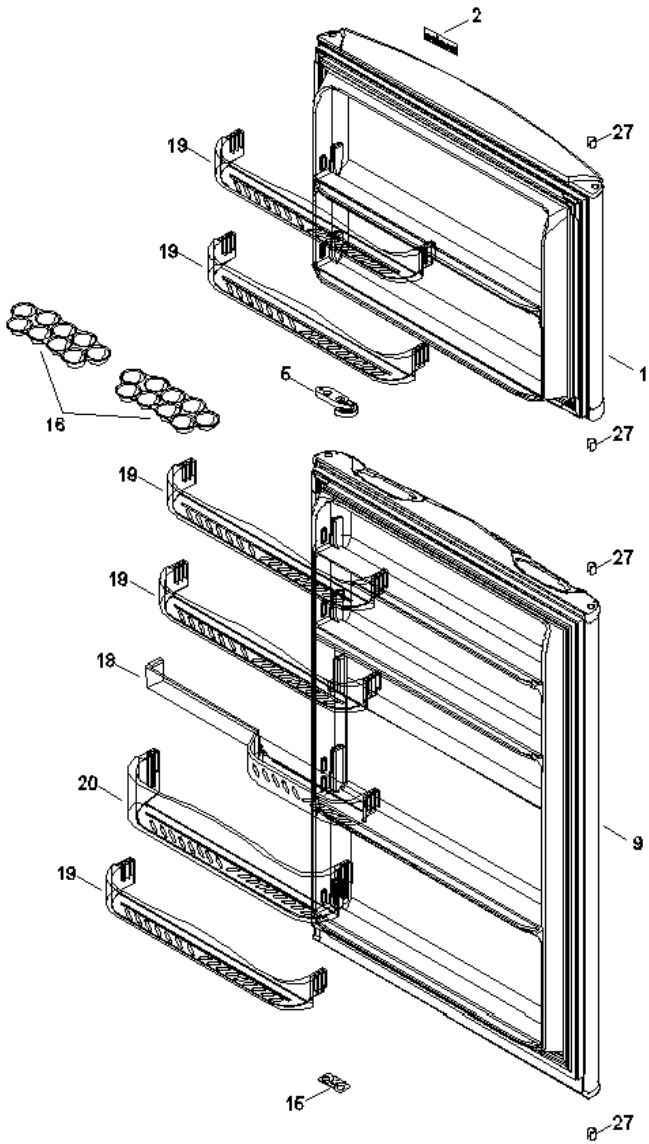
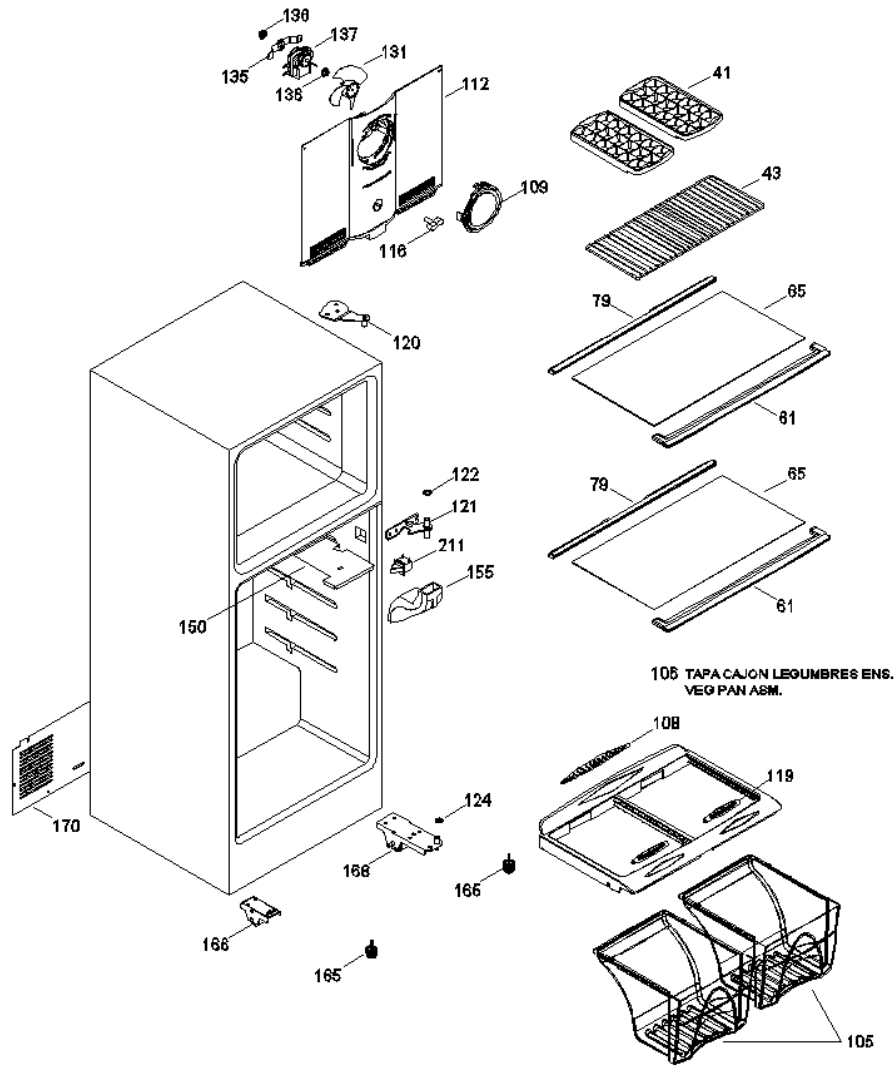
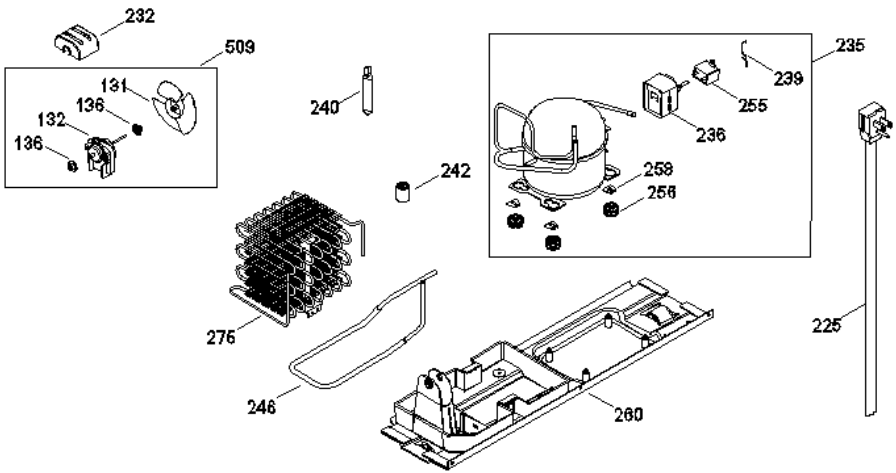
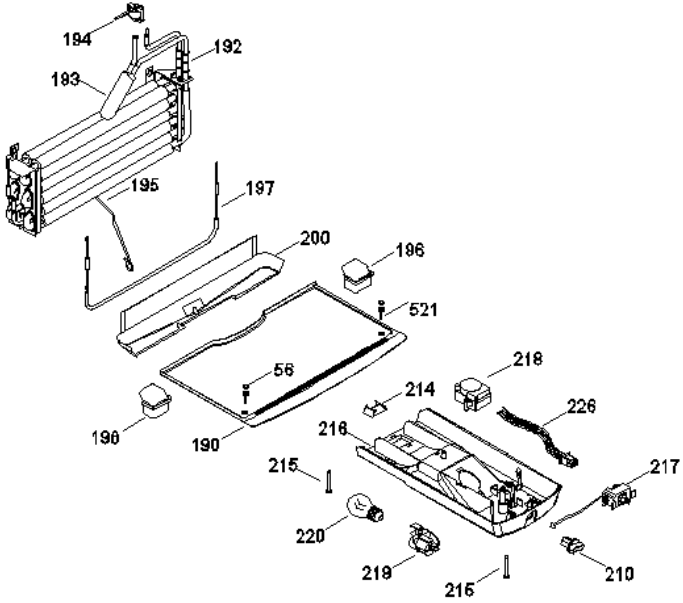


MA088V04S0



MA088V04S0







MA088V04S0

1	200D2686G021	PTA.FZ.ESP.15 POL.MB S
2	238C2758P001	PLACA EMBLEMA MABE GRIS 2004
5	355B1499P006	TOPE PUERTA CONGELADOR NATURAL
9	200D2683G015	PTA.FF.ESP.15 POL.MB.S
15	221C5251P002	TOPE PUERTA REFRIGERADOR
16	238C1489P006	CHAROLA DE HUEVOS AZUL
18	200D2315P001	ANAQUEL DOBLE PROFUNDIDAD
19	200D2316P001	ANAQUEL ANGOSTO 1618 HI
20	200D2317P001	ANAQUEL ANCHO ALTO
27	238C2207P001	BUJE PUERTA
41	200D2953P003	CHAROLA CUBOS DE HIELO
43	200D2352P002	PARRILLA CONG.ALAMBRE
56	314B9397P001	TAPON TORNILLO MANGUETE BCO
61	238C2723P002	REMATE PARRILLA FRONTAL 16HIP
65	238C2738P002	PARRILLA REF CRISTAL
79	238C2724P002	REMATE PARRILLA FF 16POSTERIO
105	200D2375G005	CAJON LEGUMBRES ENS
106	200D2428G012	TAPA CAJ.GEM.ENS.MB 16
108	200D2796P009	INSERTO TAPA CAJON LEG PLATA
109	200D3473P020	DIFUSOR AIRE CONG AZUL
112	200D4933G014	CUBIERTA EVAPORADOR C/FOIL
116	238C1183P007	PERILLA REG.AIRE AZUL CONG
119	200D2681P001	CONTROL DE HUMEDAD
120	200D3939G003	BISAGRA SUPERIOR DERECHA
121	355B1718G004	BISAGRA INTERMEDIA
122	238C1981P001	RONDANA BISAGRA
124	203C2032P010	RONDANA BISAGRA INTERMEDIA
131	197D3131G006	ASPA VENTILADOR Y ANILLO ENS.
132	200D2940P006	MOTOR VENTILADOR CONDENS.
135	238C1189P002	SOPORTE MOTOR VENTILADOR
136	221C5143P001	EMPAQUE MOTOR VENTILADOR
137	200D2940P005	MOTOR VENTILADOR EVAP.
137	200D2940P005	MOTOR VENTILADOR EVAP.

137	200D2940P005	MOTOR VENTILADOR EVAP.
150	238C1641P001	AISLANTE ELECTRICO
155	9001882	DUCTO ESPUMA ENSAMBLE
165	314B8640P010	TORNILLO NIVELADOR GRIS
166	200D3263G008	SOPORTE RUEDA CORTO EN
168	200D3283G006	SOP. RUEDA LARGO POLAR
170	200D2305P002	TAPA COMPRESOR 15/16 C
190	200D3332P001	PISO CONGELADOR
192	200D3599G001	EVAPORADOR ESTRIADO ENS.
193	221C8290P002	ACUMULADOR
194	238C1015P008	TERMOSTATO 15-16-18 MECANICOS
194	238C1015P008	TERMOSTATO 15-16-18 MECANICOS
195	203C5692P003	ALAMBRE CALEFACTOR
195	203C5692P003	ALAMBRE CALEFACTOR
195	203C5692P003	ALAMBRE CALEFACTOR
195	203C5692P003	ALAMBRE CALEFACTOR
196	238C2668P001	DUCTO DE RETORNO POL.15-18 FID
197	238C2216G003	RES Y ARNES 300W/120V BCO ENS
200	200D2302P001	CHAROLA DE DESHIELO
210	238C1192P007	PERILLA CTRL.TEMP.AZUL
211	314B8274P001	INTERRUPTOR FOCO
214	238C1799P001	DIFUSOR CAJA CONTROL
215	314B8355P001	TORNILLO 8-19 HI/LO
216	200D1424P022	CAJA CONTROL STD.15'U SILVER
217	200D3568P004	CONTROL TEMPERATURA
218	162D6022P006	CONTROL DE DESHIELO (115-127V)
219	186D1259G001	SOCKET Y TERM ENS
220	314B9124P001	FOCO (25 W)
225	200D1524G001	ARNES TOMACORRIENTE
226	200D3126G001	ARNES CAJA CONTROL
232	238C2142P001	CLIP MOTOR CONDENSADOR
235	20505212499	COMPRESOR CBE121L2G DOE/FIDE E
235	20505212499	COMPRESOR CBE121L2G DOE/FIDE E
236	200D5578P008	ACC.ELEC. 5SP16B317RH 10025
239	355B2089P006	CLIP COMPRESOR
240	162D9086P004	FILTRO DESHIDRATADOR Q
242	355B1473P001	VALVULA TUBO DREN
246	238C1628G001	TUBO AUXILIAR ENS.

255	203C2799P004	CAPACITOR
256	203C5262P001	AMORTIGUADOR
258	871516P006	SEGURO DE SUJECION COMPRESOR
260	200D2405G002	SOPORTE COMPRESOR ENS.
275	200D3705G002	CONDENSADOR ENSAMBLE
509	355B1403G002	VENTILADOR CONDENSADOR ENS.
521	355B1714P002	TORNILLO PISO CONGELADOR