

Distribuidor Autorizado

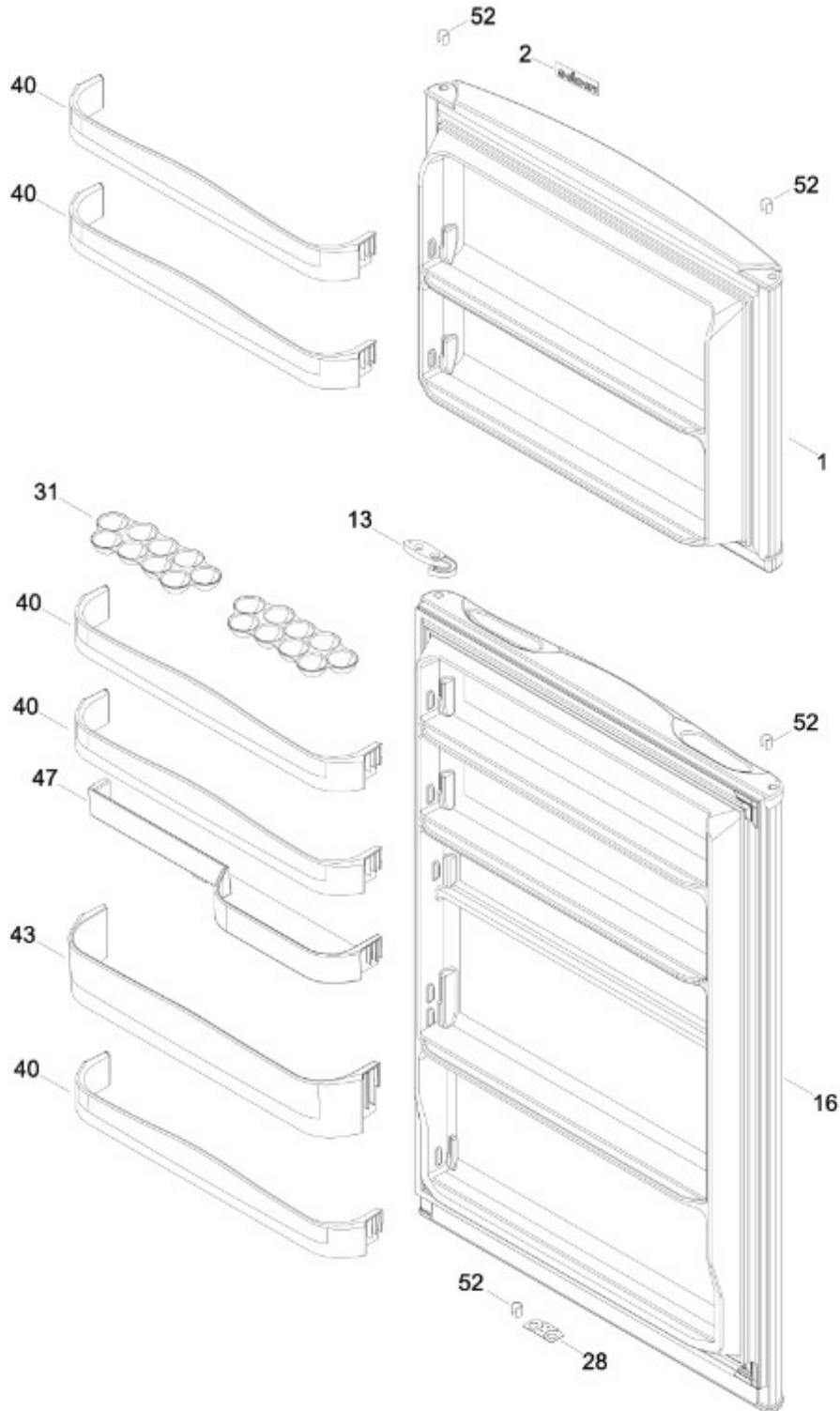
SurteRápido.com

Venta de Refacciones
Electrodomesticas

REFRIGERADOR MA088V04S2

PARTES PARA PUERTA/DOOR PARTS

MA088V04S2



Distribuidor Autorizado

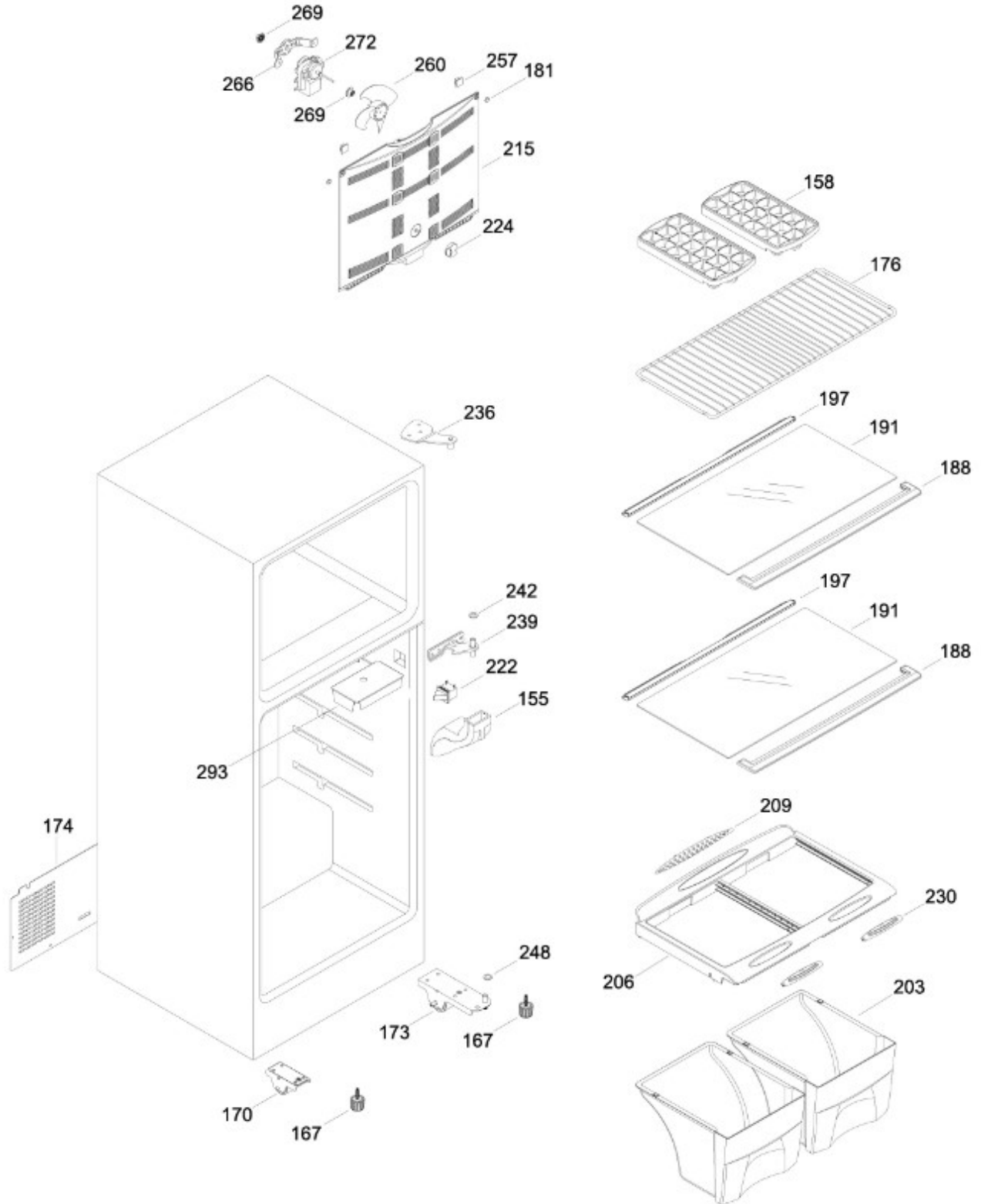
SurteRápido.com

Venta de Refacciones
Electrodomesticas

REFRIGERADOR MA088V04S2

PARTES PARA GABINETE/ CABINET PARTS

MA088V04S2

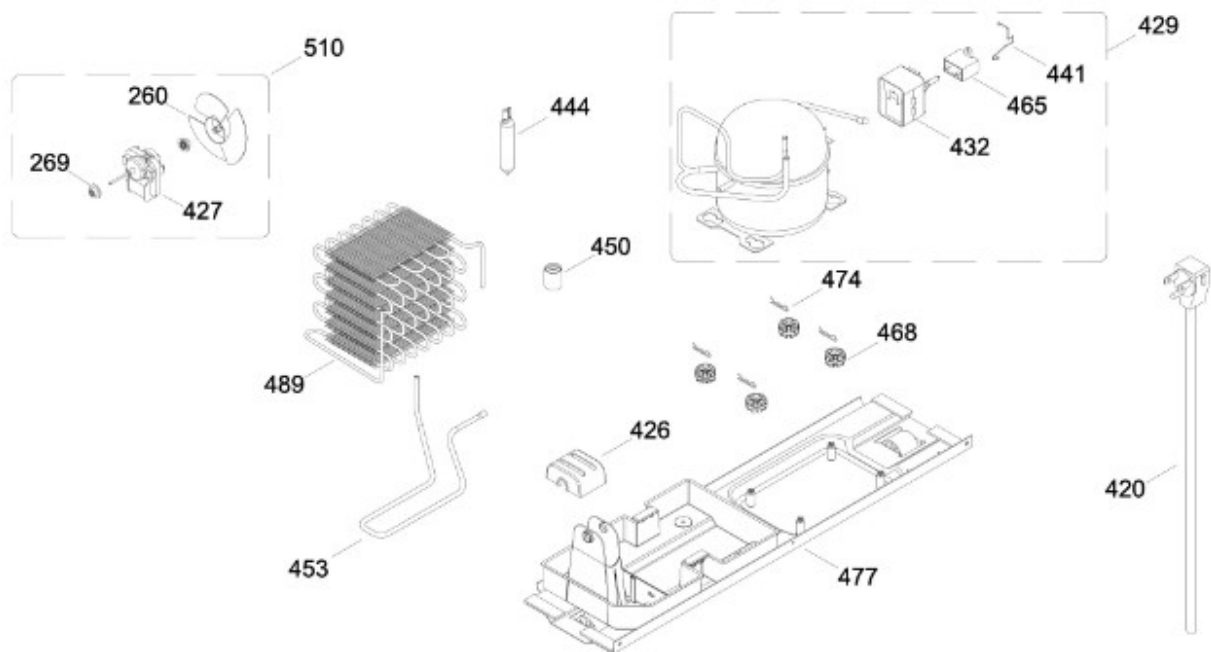
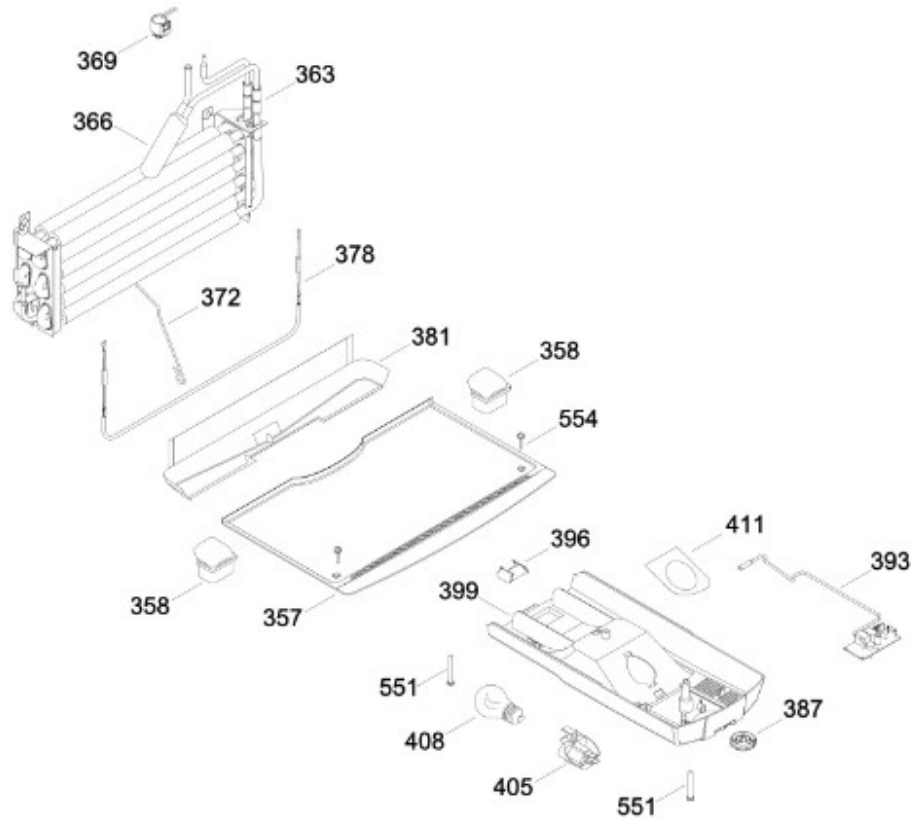


206 TAPA CAJON LEGUMBRES ENS.
VEG PAN ASM.

REFRIGERADOR MA088V04S2

PISO CONGELADOR Y UNIDAD REFRIGERANTE / FLOOR FZ AND LOW UNIT ASM

MA088V04S2



Distribuidor Autorizado

SurteRápido.com

Venta de Refacciones
Electrodomesticas

REFRIGERADOR MA088V04S2

| Guía | Refacción | Descripción |
|------|--------------|-------------------------------|
| 1 | 200D2686G033 | PUERTA CONGELADOR ENSAMBLE |
| 2 | WR01A00400 | NAMEPLATE MABE |
| 2 | WR01A01249 | NAMEPLATE MABE |
| 13 | WR01A01217 | TOPE PUERTA INTERMEDIO |
| 16 | WR01L05832 | PUERTA ALIM ENS GRIS 88 |
| 28 | WR01A01218 | TOPE PUERTA REFR. |
| 31 | WR01L05907 | RACK HUEVOS |
| 40 | WR01L04681 | ANAQUEL |
| 43 | WR01L04678 | ANAQUEL |
| 47 | WR01L04691 | ANAQUEL |
| 52 | WR01L02462 | BUJE BISAGRA |
| 155 | WR01F02130 | DUCTO ESPUMA ENS. |
| 158 | WR01L04810 | CHAROLA HIELOS |
| 158 | WR01L08058 | CHAROLA HIELOS |
| 167 | WR01A01225 | TORNILLO NIVELADOR |
| 170 | WR01A01158 | SOPORTE RUEDA ENS. |
| 173 | WR01A01159 | OPORTE RUEDA |
| 174 | WR01L06003 | TAPA COMPRESOR |
| 176 | WR01L05124 | PARRILLA CONG. |
| 181 | WR01A01200 | TAPON TORNILLO BISAGRA |
| 188 | WR01L05926 | REMATE PARRILLA FRONTAL |
| 191 | WR01L04821 | CRISTAL PARRILLA |
| 197 | WR01L05919 | REMATE PARRILLA POST. |
| 203 | WR01L04926 | ENS. CAJON |
| 206 | WR01L05980 | ENS. TAPA CAJON |
| 209 | WR01L05088 | INSERTO TAPA CAJON |
| 215 | WR01L06042 | CUBIERTA EVAPORADOR |
| 222 | WR01L05089 | INTERRUPTOR (6.67.6YL3CER)RVO |
| 224 | WR01L05165 | PERILLA DAMPER |
| 230 | WR01F02087 | CONTROL HUMEDAD |
| 236 | WR01L04925 | ENS. BISAGRA |
| 239 | WR01L04755 | BISAGRA INTERMEDIA ENS. |
| 239 | WR01L09400 | BISAGRA INTERMEDIA ENS. |
| 242 | WR01A01112 | ESPACIADOR BISAGRA |
| 242 | WR01A01110 | ESPACIADOR BISAGRA |

Distribuidor Autorizado

SurteRápido.com

Venta de Refacciones
Electrodomesticas

REFRIGERADOR MA088V04S2

| Guía | Refacción | Descripción |
|------|------------|--------------------------------|
| 248 | WR01A01150 | RONDANA BISAGRA |
| 257 | WR01A01099 | CLIP ADHESIVO EVAP |
| 260 | WR01F00099 | ASPA DE VENTILADOR ENS |
| 266 | WR01A01091 | BRACKET VENTILADOR CONG. |
| 269 | WR01A00239 | EMPAQUE VENTILADOR |
| 272 | WR01F01638 | MOTOR VENTILADOR SUNG SHIN |
| 293 | WR01F01961 | AISLANTE ELECTRICO SUP |
| 357 | WR01L05171 | PISO CONGELADOR |
| 358 | WR01F02127 | DUCTO RETORNO |
| 363 | WR01F02153 | ENS. COMPRESOR EVAPORADOR |
| 366 | WR01F01955 | ACUMULADOR ENS.POLAR12-18 DOE |
| 369 | WR01F02355 | TERMOSTATO |
| 372 | WR01F00990 | CONDUCTOR DE CALOR P/ DESHIELO |
| 378 | WR01F02282 | ENS. RESISTENCIA |
| 381 | WR01L04803 | CHAROLA DESHIELO 15"16"18" |
| 387 | WR01L05146 | PERILLA CONTROL TEMP. |
| 387 | WR01L05144 | PERILLA CONTROL TEMP. |
| 393 | WR01F02344 | TARJETA CONTROL |
| 393 | WR03F04508 | TARJETA CONTROL |
| 396 | WR01F02119 | DIFUSOR CAJA ESTÃ NDAR |
| 399 | WR01F02020 | CAJA CONTROL |
| 405 | WR01F02288 | SOCKET ENS. |
| 408 | WR01F02439 | LAMPARA |
| 411 | WR01F01962 | FOIL DE ALUMINIO |
| 420 | WR01F02000 | ARNES TOMACORRIENTE |
| 426 | WR01A01105 | CLIP MOTOR COND. |
| 426 | WR01A01451 | CLIP MOTOR COND. |
| 427 | WR01F02266 | MOTOR VENTILADOR |
| 429 | WR01F02054 | COMPRESOR |
| 432 | WR01F01944 | PROTECTOR RELAY 5SP16B317RH |
| 432 | WR01F02376 | PROTECTOR RELAY 5SP16B317RH |
| 441 | WR01A01100 | SUJETADOR CLIP 5SP |
| 441 | WR01A01614 | SUJETADOR CLIP 5SP |
| 441 | WR01A02393 | CLIP 5SP 127V GLOBE CAPACITOR |
| 444 | WR01F02221 | FILTRO DESHIDRATADOR |

Distribuidor Autorizado

SurteRápido.com

Venta de Refacciones
Electrodomesticas

REFRIGERADOR MA088V04S2

| Guía | Refacción | Descripción |
|------|------------|-------------------------------|
| 450 | WR01F02375 | VALVULA DREN |
| 453 | WR01F02137 | ENS. TUBO AUXILIAR |
| 465 | WR01F03431 | CAPACITOR DE 12MFD |
| 465 | WR01F02043 | CAPACITOR DE 12MFD |
| 468 | WR01F00846 | ARANDELA COMPRESOR |
| 468 | WR01L13035 | ARANDELA COMPRESOR |
| 474 | WR01A01153 | SEGURO SOPORTE COMPRESOR |
| 477 | WR01F02182 | ENS. SOPORTE COMPRESOR |
| 489 | WR01F02077 | CONDENS.ADOR MULTILAYER |
| 510 | WR01F02172 | MOTOR ASPA ENS. |
| 510 | WR01F02266 | MOTOR ASPA ENS. |
| 551 | WR01A01224 | TORNILLO 8-19 |
| 554 | WR01A01223 | TORNILLO 8-18 PISO CONGELADOR |