

Distribuidor Autorizado

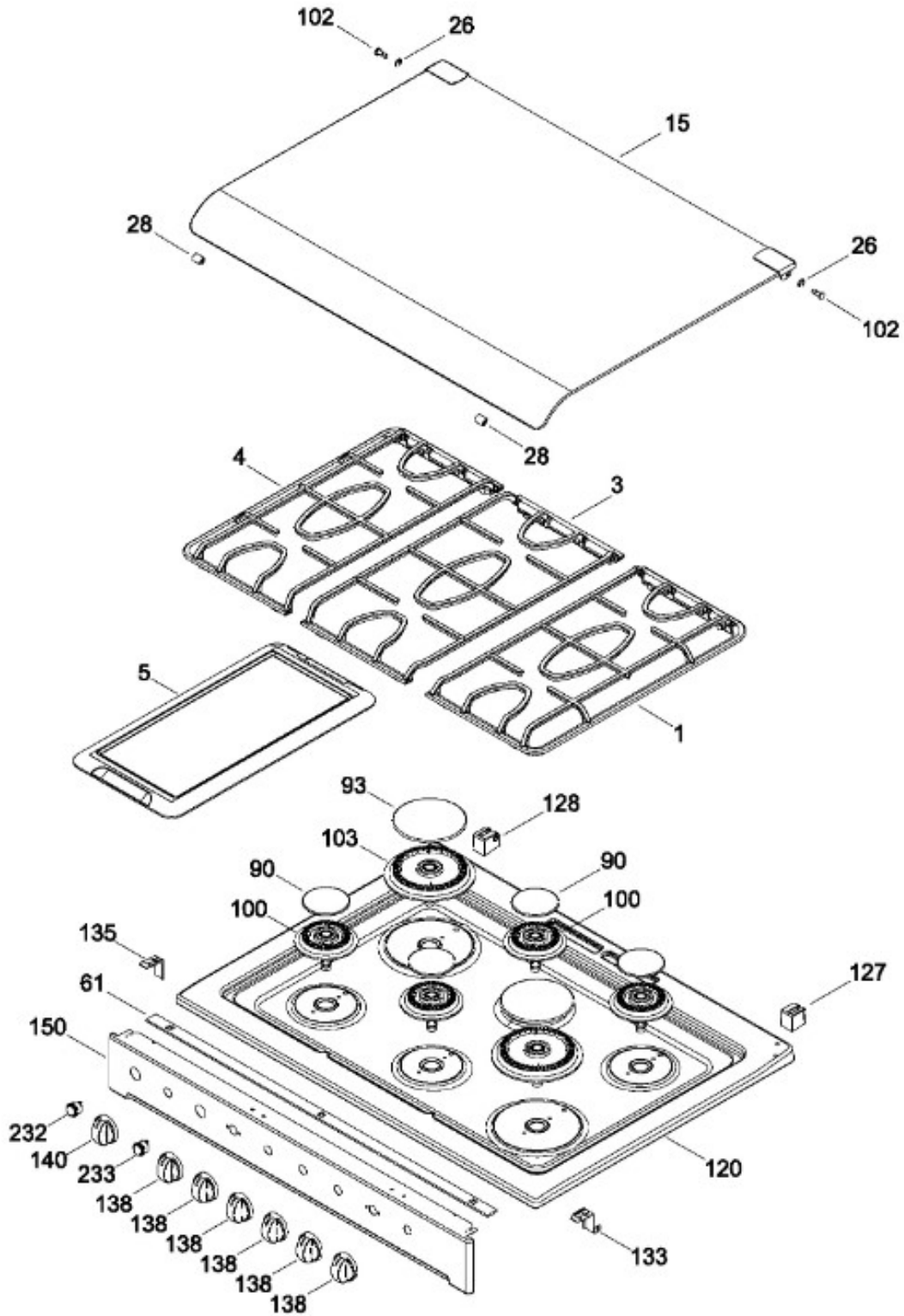
SurteRápido.com

Venta de Refacciones  
Electrodomesticas

# ESTUFA MA0C8050C11A

CUBIERTA / TOP RANGE

MA0C8050C11A



Distribuidor Autorizado

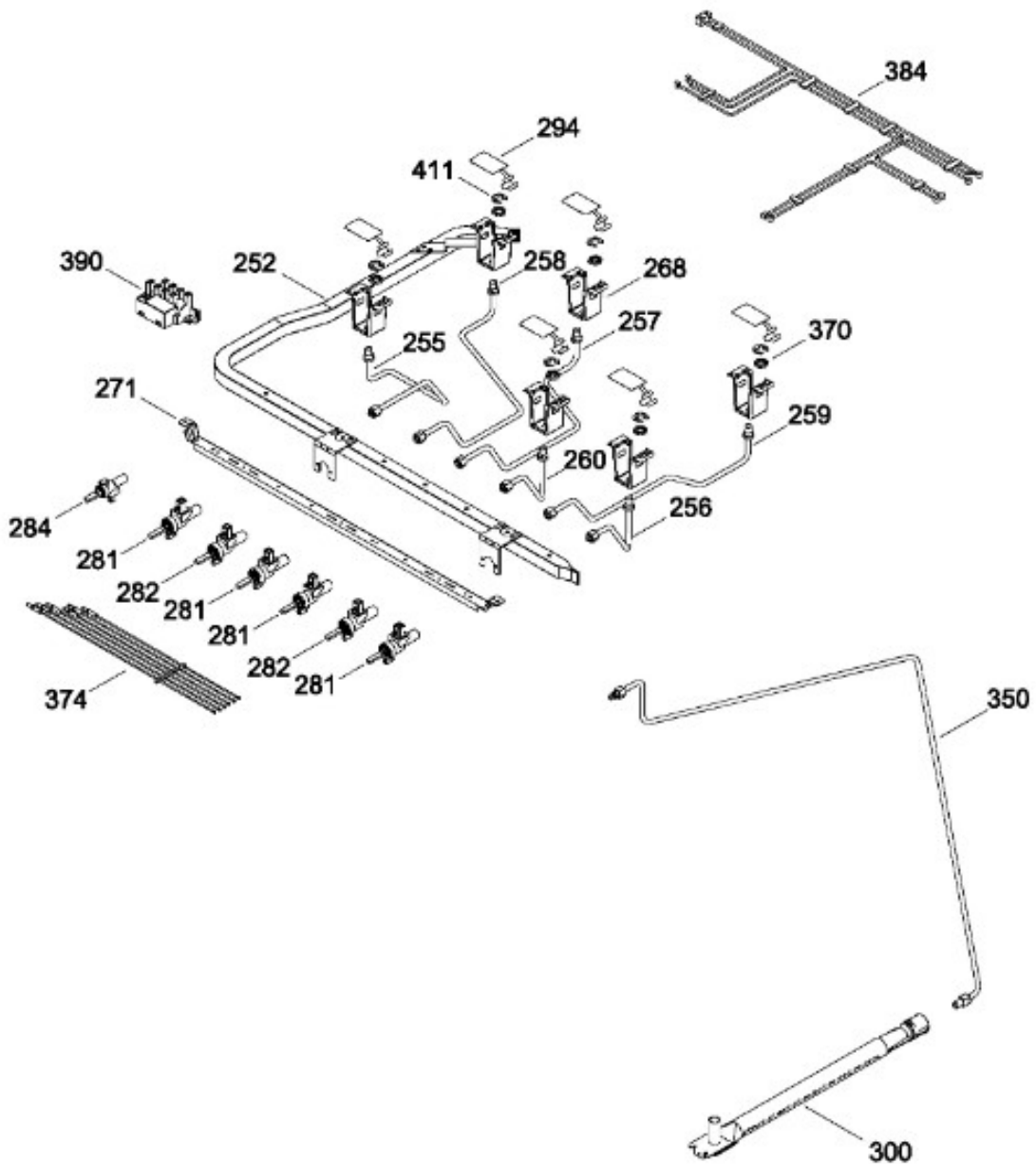
SurteRápido.com

Venta de Refacciones  
Electrodomesticas

# ESTUFA MA0C8050C11A

SISTEMA DE GAS/GAS & BURNER PARTS

MA0C8050C11A



Distribuidor Autorizado

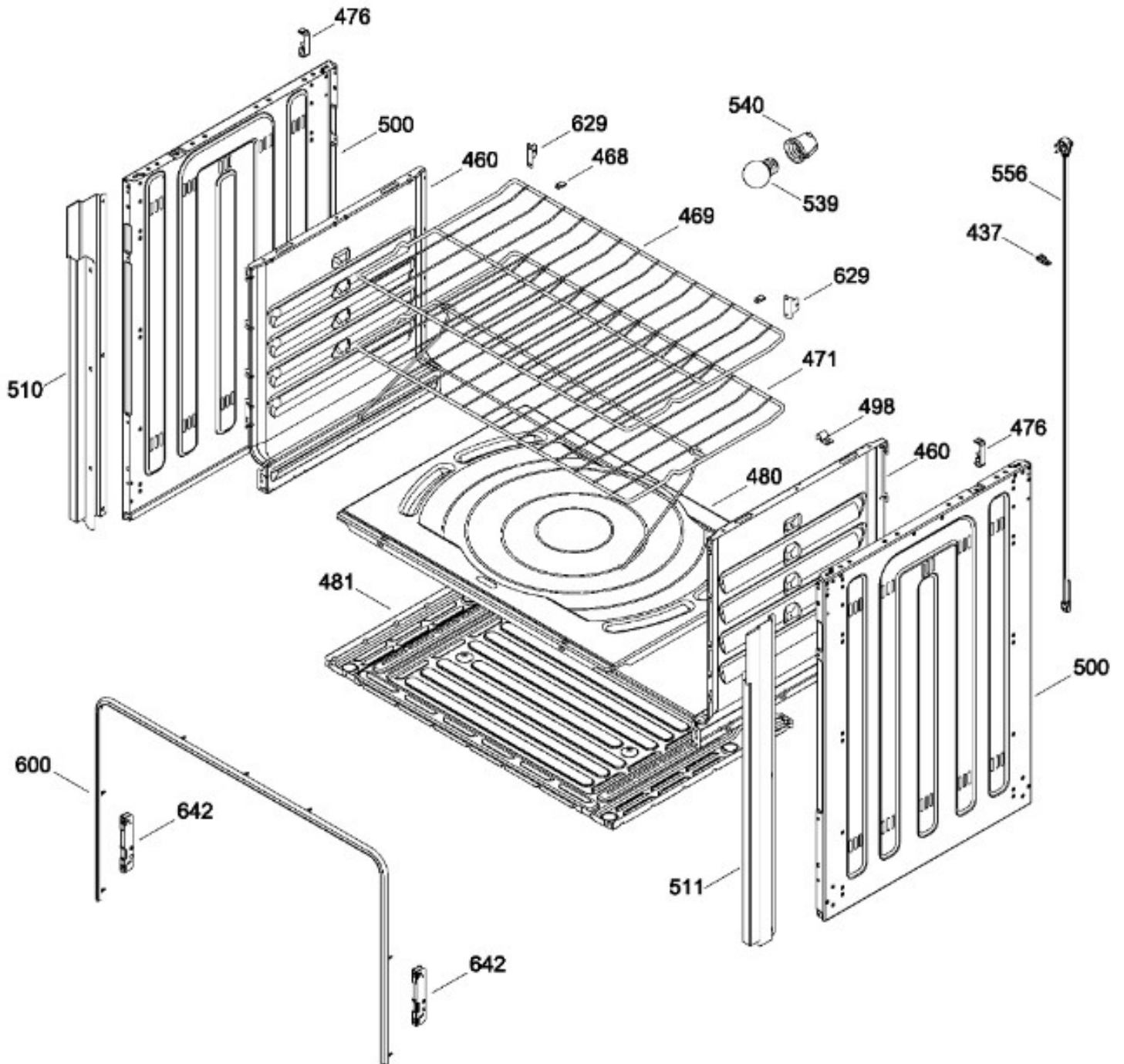
SurteRápido.com

Venta de Refacciones  
Electrodomesticas

# ESTUFA MA0C8050CI1A

GABINETE/BODY PARTS

MA0C8050CI1A



Distribuidor Autorizado

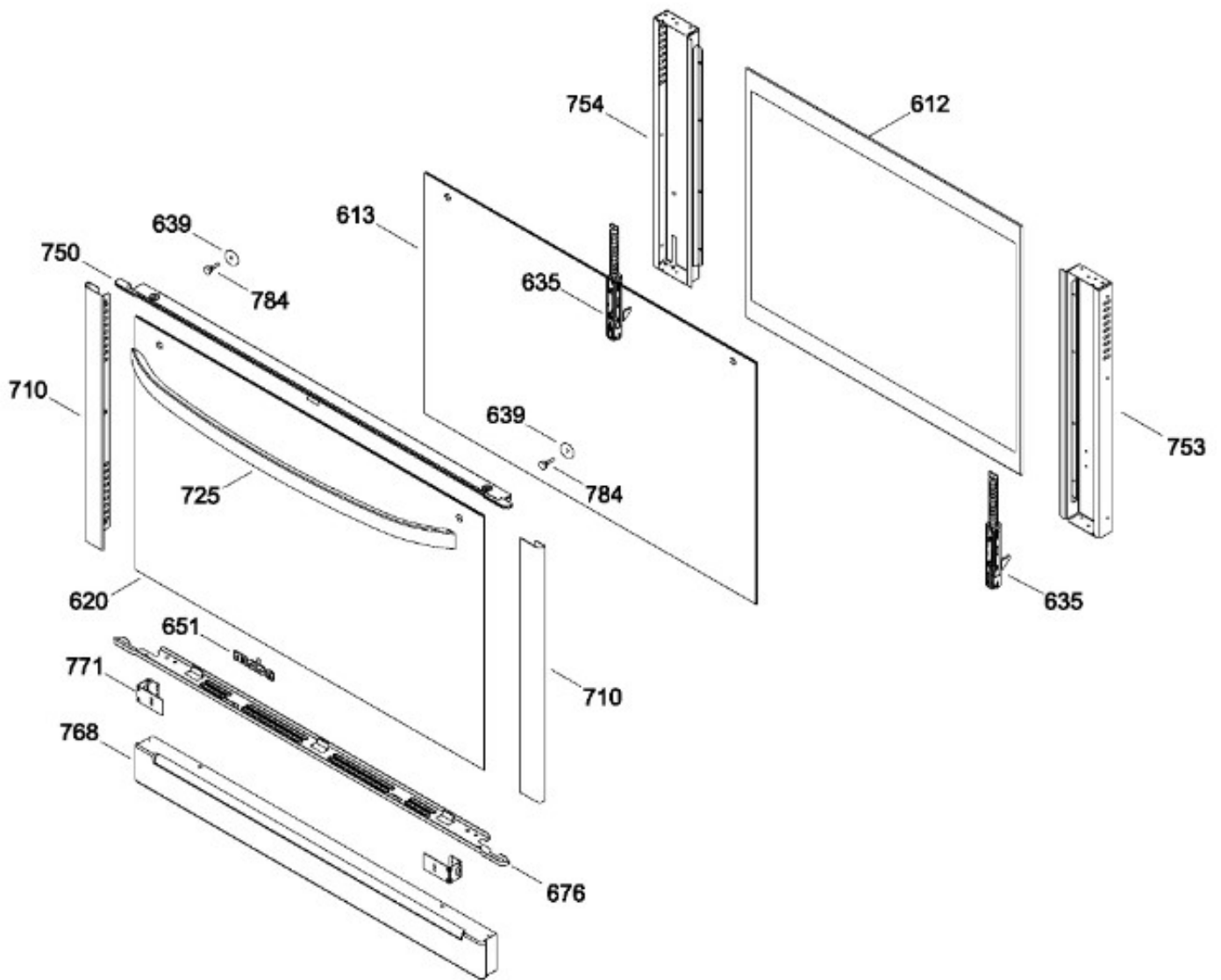
SurteRápido.com

Venta de Refacciones  
Electrodomesticas

# ESTUFA MA0C8050CI1A

PUERTA/DOOR PARTS

MA0C8050CI1A



Distribuidor Autorizado

**SurteRápido.com**

Venta de Refacciones  
Electrodomesticas

## ESTUFA MA0C8050CI1A

| Guía | Refacción  | Descripción                     |
|------|------------|---------------------------------|
| 1    | WS01L14573 | PARRILLA SUPERIOR               |
| 3    | WS01L14343 | PARRILLA SUPERIOR CENTRAL       |
| 4    | WS01L14572 | PARRILLA SUPERIOR               |
| 5    | WS01L08474 | COMAL TEFLONIZADO MAQ.          |
| 15   | WS01L14588 | CAPELO ESTUFA ENS.              |
| 15   | WS01L15852 | CAPELO ESTUFA ENS.              |
| 15   | WS01L15730 | CAPELO ESTUFA ENS.              |
| 26   | WS01A01600 | SEGURO P/BUJIA QUEMADOR         |
| 28   | WS01L07756 | TOPE VIDRIO CAPELO              |
| 61   | WS01F00132 | AISLANTE DE CONTROL             |
| 90   | WS01F04042 | TAPA QUEMADORES 3 NE. MA.       |
| 93   | WS01F04045 | TAPA QUEMADORES 4 ENS. MA.      |
| 100  | WS01F02218 | QUEMADOR ENS. 3                 |
| 100  | WS01F02219 | QUEMADOR ENS. 3                 |
| 102  | WS01A01035 | PERNO ASADOR                    |
| 103  | WS01F02220 | QUEMADOR ENS. 4                 |
| 103  | WS01F02221 | QUEMADOR ENS. 4                 |
| 120  | WS01L01339 | CUBIERTA SUP. INOX.             |
| 127  | WS01A00962 | SOPORTE CAPELO                  |
| 128  | WS01A00961 | SOPORTE CAPELO                  |
| 133  | WS01A01349 | CLIP FRENTE PERILLAS            |
| 135  | WS01A01350 | CLIP FRENTE PERILLAS            |
| 138  | WS01L14354 | PERILLA                         |
| 140  | WS01L14358 | PERILLA                         |
| 140  | WS01L14351 | PERILLA                         |
| 150  | WS01L14579 | FRENTE PERILLAS SM. C/SE.       |
| 232  | WS01L14523 | INTERRUPTOR                     |
| 233  | WS01L14522 | INTERRUPTOR                     |
| 252  | WS01F03230 | TUBO DE VALVULAS ENS            |
| 255  | WS01F06958 | TUBO QUEMADORES FRONTAL IZQ.    |
| 256  | WS01F06960 | TUBO QUEMADORES CENTRAL FRONTAL |
| 257  | WS01F06961 | TUBO QUEMADORES CENTRAL POST.   |
| 258  | WS01F06959 | TUBO QUEMADORES POST. IZQ.      |
| 259  | WS01F06963 | TUBO QUEMADORES DER. POST.      |
| 260  | WS01F06962 | TUBO QUEMADORES CENTRAL FRONTAL |

Distribuidor Autorizado

**SurteRápido.com**

Venta de Refacciones  
Electrodomesticas

## ESTUFA MA0C8050CI1A

| Guía | Refacción  | Descripción                  |
|------|------------|------------------------------|
| 268  | WS01A00708 | 2OPORTE P/BUJIA CENTRAL      |
| 268  | WS01A00708 | 2OPORTE P/BUJIA CENTRAL      |
| 271  | WS01A02066 | SOPORTE TRANSVERSAL          |
| 281  | WS01F03604 | VALVULA                      |
| 281  | WS01F03799 | VALVULA                      |
| 282  | WS01F03605 | VALVULA                      |
| 282  | WS01F03799 | VALVULA                      |
| 284  | WS01F02635 | TERMOCONTROL 5 POSICIONES    |
| 294  | WS01L01550 | CUBRE ESPREA                 |
| 300  | WS01F07172 | QUEMADOR ENS HORNO           |
| 350  | WS01F07174 | TUBO ALI. DE HORNO           |
| 370  | WS01A01130 | TUERCA ECO.                  |
| 374  | WS01F06858 | BUJIAS Y ARNES ENS.          |
| 374  | WS01F00832 | BUJIAS Y ARNES ENS.          |
| 384  | WS01F00538 | ARNES MAESTRO                |
| 390  | WS01F04024 | MODULO DE ENCENDIDO          |
| 390  | WS01F04212 | MODULO DE ENCENDIDO          |
| 390  | WS01F02040 | MODULO DE ENCENDIDO 6+0      |
| 390  | WS01F02040 | MODULO DE IGNICION           |
| 411  | WS01A01115 | ANILLO DE RETENCION          |
| 437  | WS01A01072 | GRAPA P/CABLE TOMACORRIENTE  |
| 460  | WS01L14560 | LATERAL HORNO MANUAL         |
| 468  | WS01A01062 | CLIP CHIMENEA                |
| 469  | WS01L13501 | PARRILLA HORNO               |
| 471  | WS01L13942 | PARRILLA INFERIOR RETRACTRIL |
| 476  | WS01A01082 | CLIP ARNES VERDE             |
| 480  | WS01L14420 | PISO HORNO PZ.               |
| 481  | WS01L13937 | PISO ESTUFA                  |
| 498  | WS01A01243 | ABRAZADERA                   |
| 500  | WS01L13940 | LATERAL ESTUFA               |
| 500  | WS01L17578 | LATERAL ESTUFA               |
| 510  | WS01L14580 | MOLDURA VERTICAL SM.         |
| 511  | WS01L14581 | MOLDURA VERTICAL SM.         |
| 539  | WS01F01495 | FOCO 127V/ 40W               |
| 540  | WS01F02438 | SOCKET P/LAMP                |

Distribuidor Autorizado

**SurteRápido.com**

Venta de Refacciones  
Electrodomesticas

## ESTUFA MA0C8050CI1A

| Guía | Refacción  | Descripción               |
|------|------------|---------------------------|
| 556  | WS01F00853 | CABLE TOMACORRIENTE       |
| 600  | WS01L13659 | SELLO MARCO FRONTAL       |
| 612  | WS01L13534 | VIDRIO CONTRAPUERTA       |
| 612  | WS01L17820 | VIDRIO CONTRAPUERTA       |
| 612  | WS01L18148 | VIDRIO CONTRAPUERTA       |
| 613  | WS01L14339 | VIDRIO PUERTA             |
| 613  | WS01L17694 | VIDRIO PUERTA             |
| 620  | WS01L14583 | ENS LOGO & VIDRIO         |
| 629  | WS01F04938 | SOPORTE PARRILLA          |
| 635  | WS01L00226 | BISAGRA PUERTA HORNO ENS. |
| 635  | WS01L16209 | BISAGRA PUERTA HORNO ENS. |
| 639  | WS01L01469 | CUBIERTA VALVULA          |
| 642  | WS01L00580 | CONTRA DE BISAGRA         |
| 642  | WS01L17365 | CONTRA DE BISAGRA         |
| 651  | WS01A00341 | LOGO COPETE               |
| 676  | WS01L14584 | MOLDURA INF. PUERTA SM.   |
| 710  | WS01L14586 | MOLDURA LATERAL PUERTA SM |
| 725  | WS01L14587 | JALADERA CURVA            |
| 750  | WS01L14585 | MOLDURA SUP. ENS. SM.     |
| 753  | WS01L14558 | POSTE CONTRA PUERTA PZ.   |
| 754  | WS01L14559 | POSTE CONTRA PUERTA PZ.   |
| 768  | WS01L14582 | FALDON SM.                |
| 771  | WS01A01348 | SOPORTE PUERTA            |
| 784  | WS01A01355 | BUJE ANTIRUIDO            |