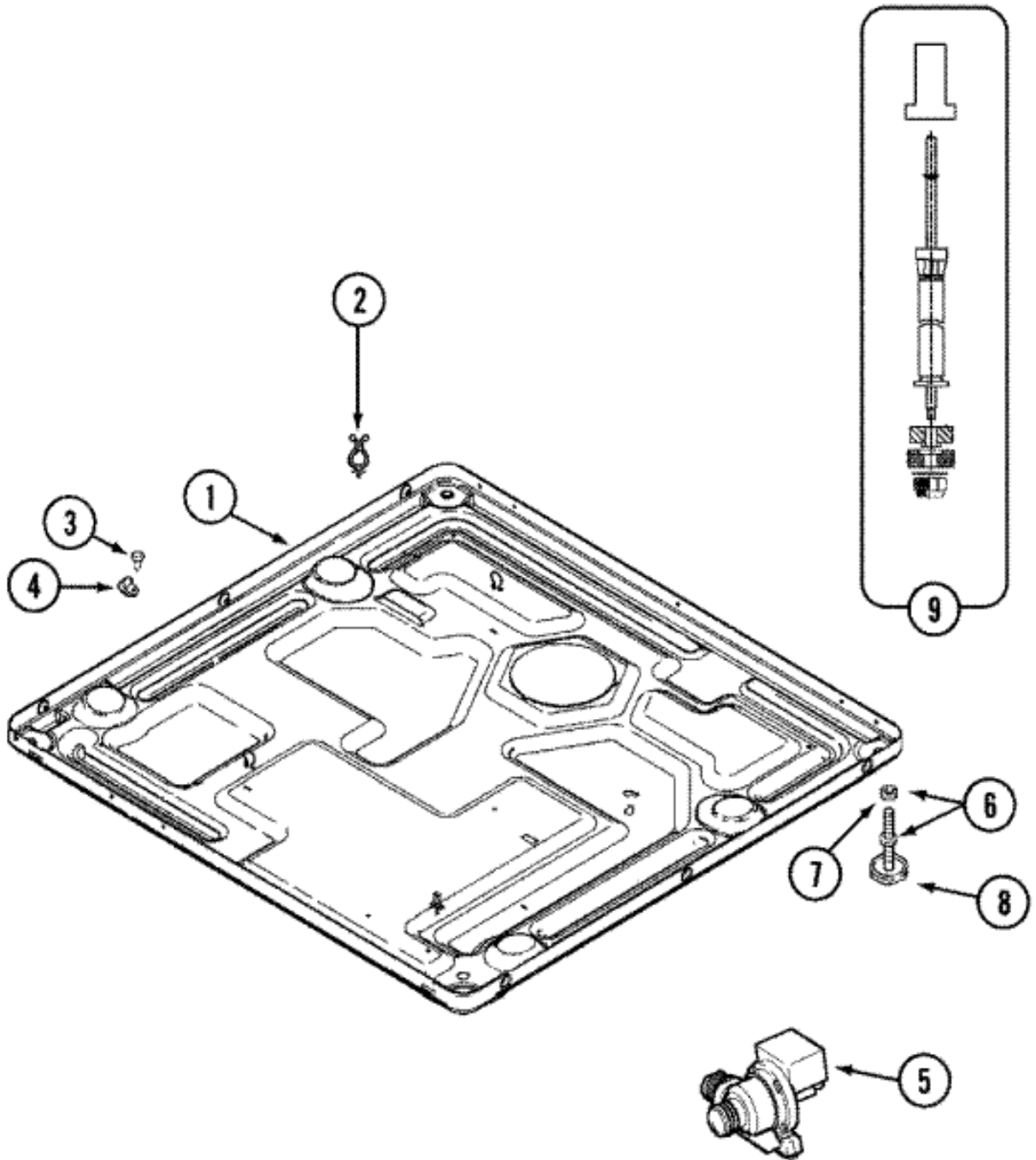


# MAH14PSAAW BASE





## MAH14PSAAW BASE

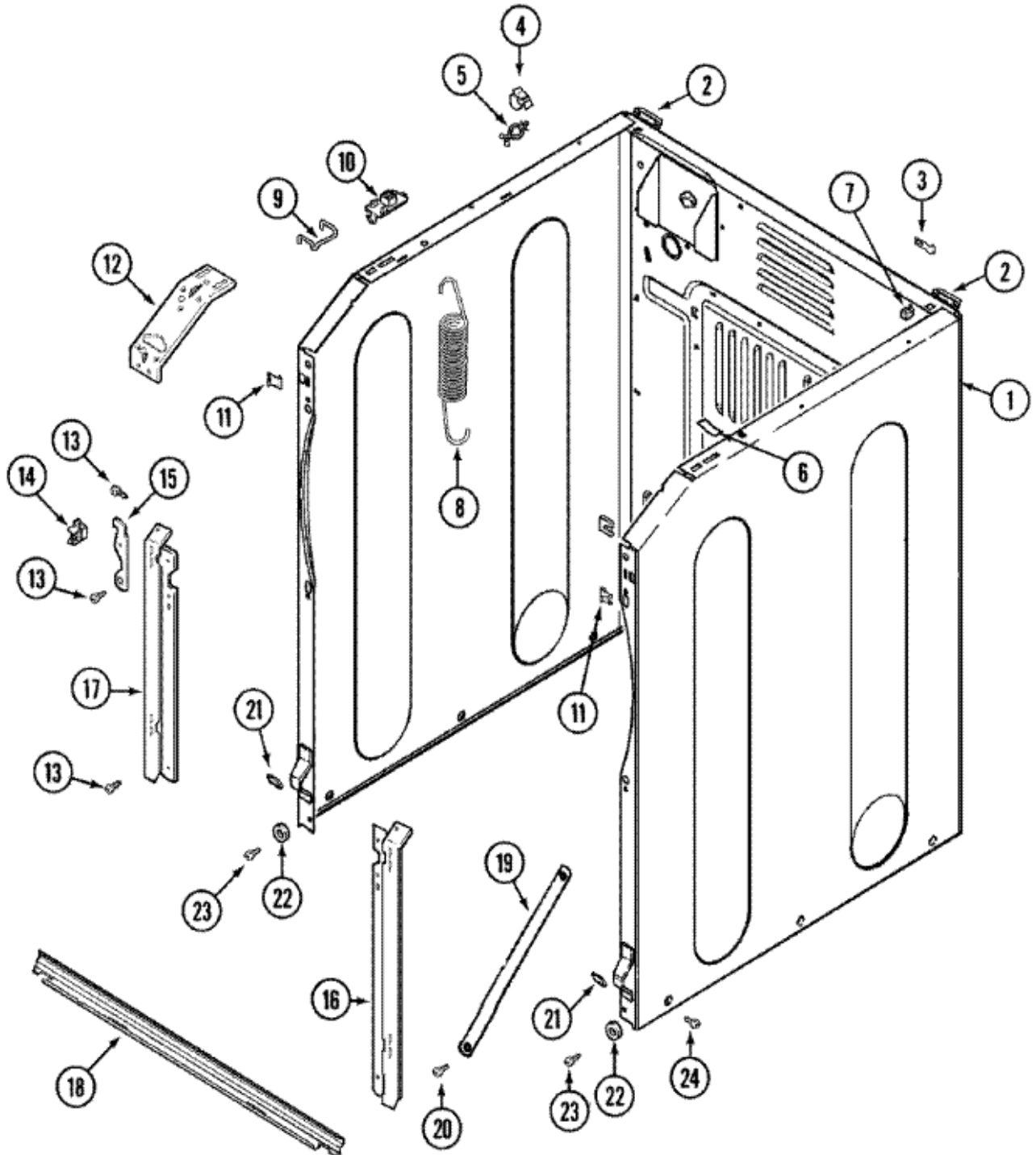
1	22003605	BASE (S/P)
1	22003435	BASE (S/P)
2	22003298	RETAINER, WIRE (S/P)
3	212276	SCREW (S/P)
4	22002014	CLIP (S/P)
5	22003059	PUMP, DRAIN (80 WATT)
6	22003544	ADJUSTABLE LEG & NUT
7	Y052740	NUT (S/P)
8	210684	FOOT, RUBBER
9	22001988	STRUT ASSY-REAR

Distribuidor Autorizado

SurteRápido.com

Venta de Refacciones  
Electrodomesticas

# MAH14PSAAW GABINETE





## MAH14PSAAW GABINETE

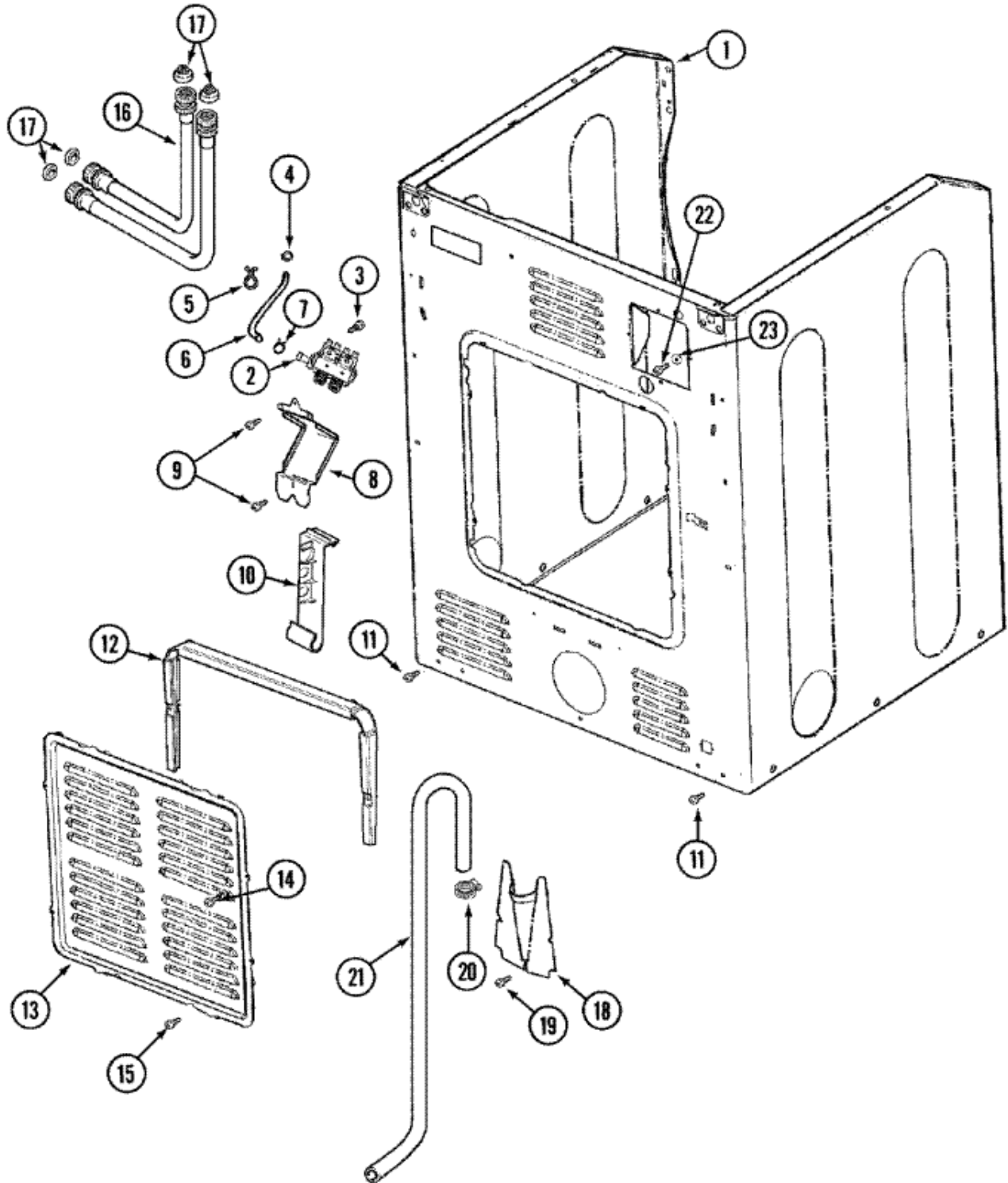
1	22003639	<b>DESCONTINUADO</b>
2	33001827	<b>DESCONTINUADO</b>
3	22002345	<b>DESCONTINUADO</b>
3	33002125	SCREW (S/P)
3	22002178	BRACKET, WATER SWITCH (S/P)
4	Y310376	CLIP, WIRE HARNESS (S/P)
5	22003298	RETAINER, WIRE (S/P)
6	33001836	STRAP, TOP COVER SUPPORT (S/P)
7	33002194	FASTENER (S/P)
8	22002100	SPRING (S/P)
9	22002297	SUPPORT, SPRING (S/P)
10	22001997	SPACER, TOP COVER (S/P)
11	22002049	CLIP (S/P)
12	22002090	BRACE, CORNER (S/P)
13	22001995	SCREW (S/P)
14	22002001	SUPPORT, HINGE (S/P)
15	33002597	HOOK, SECURITY (S/P)
16	22003224	BRACKET, SHROUD SUPPORT (RT) (S/P)
17	22002985	BRACKET, SHROUD SUPPORT (LT) (S/P)
18	22001993	BRIDGE, SHROUD SUPPORT (S/P)
19	22002767	BRACE, CROSS (S/P)
19	22001995	SCREW (S/P)
21	22002239	CLIP, LOWER FRONT PANEL (S/P)
21	213280	FRONT PANEL BRACKET/FASTENER (S/P)
22	22002025	DISC, FRONT PANEL SPACER (S/P)
23	22001995	SCREW (S/P)
23	22001496	SCREW, TORX (S/P)
24	213007	SCREW, CABINET (S/P)

Distribuidor Autorizado

SurteRápido.com

Venta de Refacciones  
Electrodomesticas

# MAH14PSAAW GABINETE





## MAH14PSAAW GABINETE

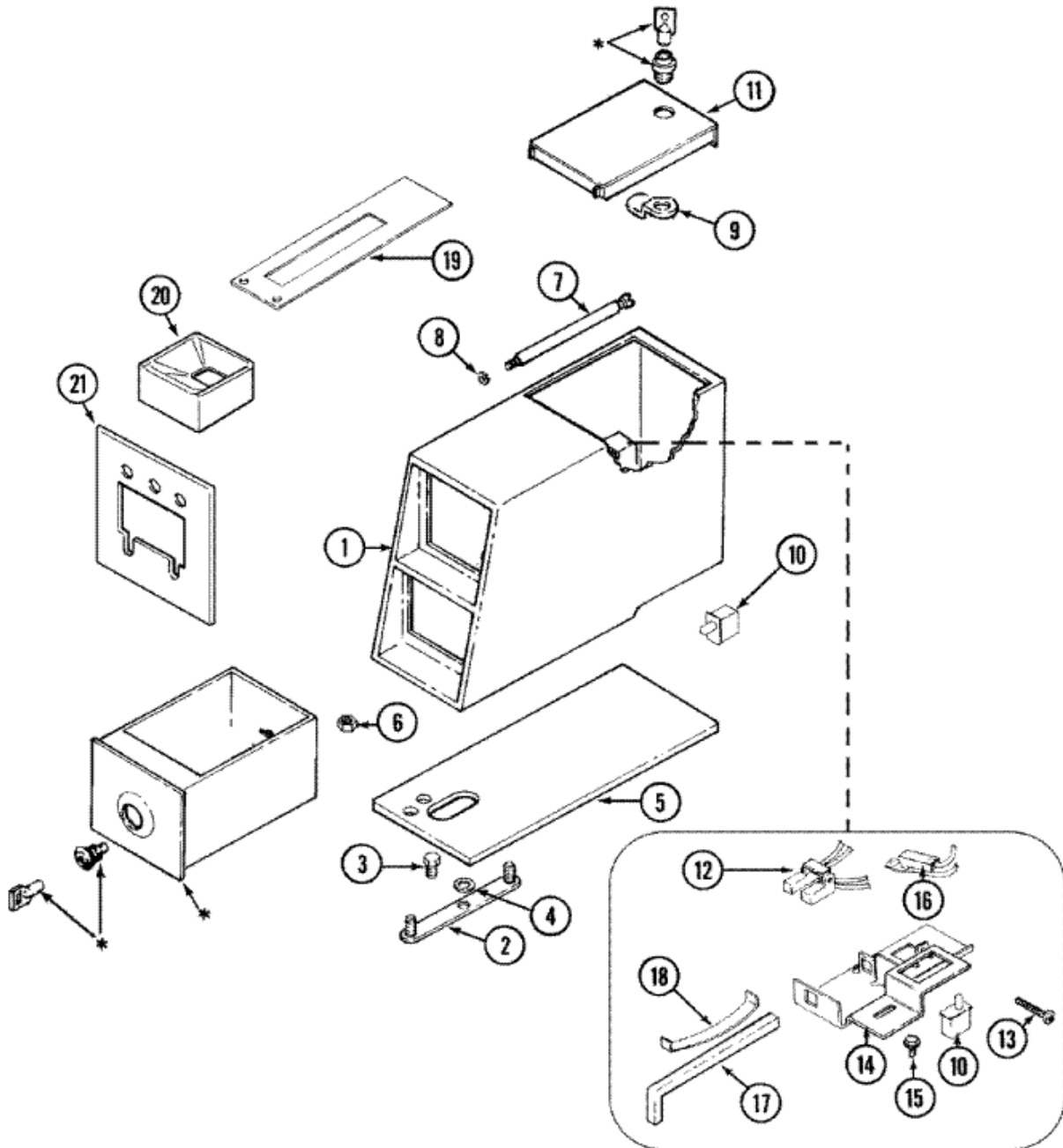
1	22003639	<b>DESCONTINUADO</b>
2	22002101	VALVE, WATER (TWO COIL) (S/P)
3	Y313561	<b>DESCONTINUADO</b>
4	285655	CLAMP, STEPLESS (S/P)
5	22002027	WIRE TIE, TWIST LOCK (S/P)
6	22002296	HOSE, INJECTOR (S/P)
7	216169	CLAMP, HOSE-INJEC.HOSE TO VALVE (S/P)
8	22002572	BRACKET, WATER VALVE (S/P)
9	22001996	SCREW (S/P)
10	33002213	STRAP, DRAIN HOSE (S/P)
11	22001995	SCREW (S/P)
12	22002022	SPACER, ACCESS PANEL (S/P)
13	22002092	PANEL, ACCESS (S/P)
14	213117	SCREW-TEMP. SWITCH TO PANEL (S/P)
15	22001996	SCREW (S/P)
16	202860	INLET HOSE ASSY. (S/P)
17	Y013783	GASKET, INLET HOSE (S/P)
18	22002704	COVER, DRAIN HOSE (S/P)
19	22001995	SCREW (S/P)
20	22001984	CLAMP, DRAIN HOSE (S/P)
21	22002085	<b>DESCONTINUADO</b>
21	12001807	DRAIN HOSE REPLACEMENT(NEPTUN)
21	8539404	TIE, CABLE (S/P)
21	22002892	RETAINER, DRAIN HOSE (S/P)
22	33001245	<b>DESCONTINUADO</b>
23	313363	WASHER (S/P)

Distribuidor Autorizado

SurteRápido.com

Venta de Refacciones  
Electrodomesticas

# MAH14PSAAW DEPOSITO MONEDAS



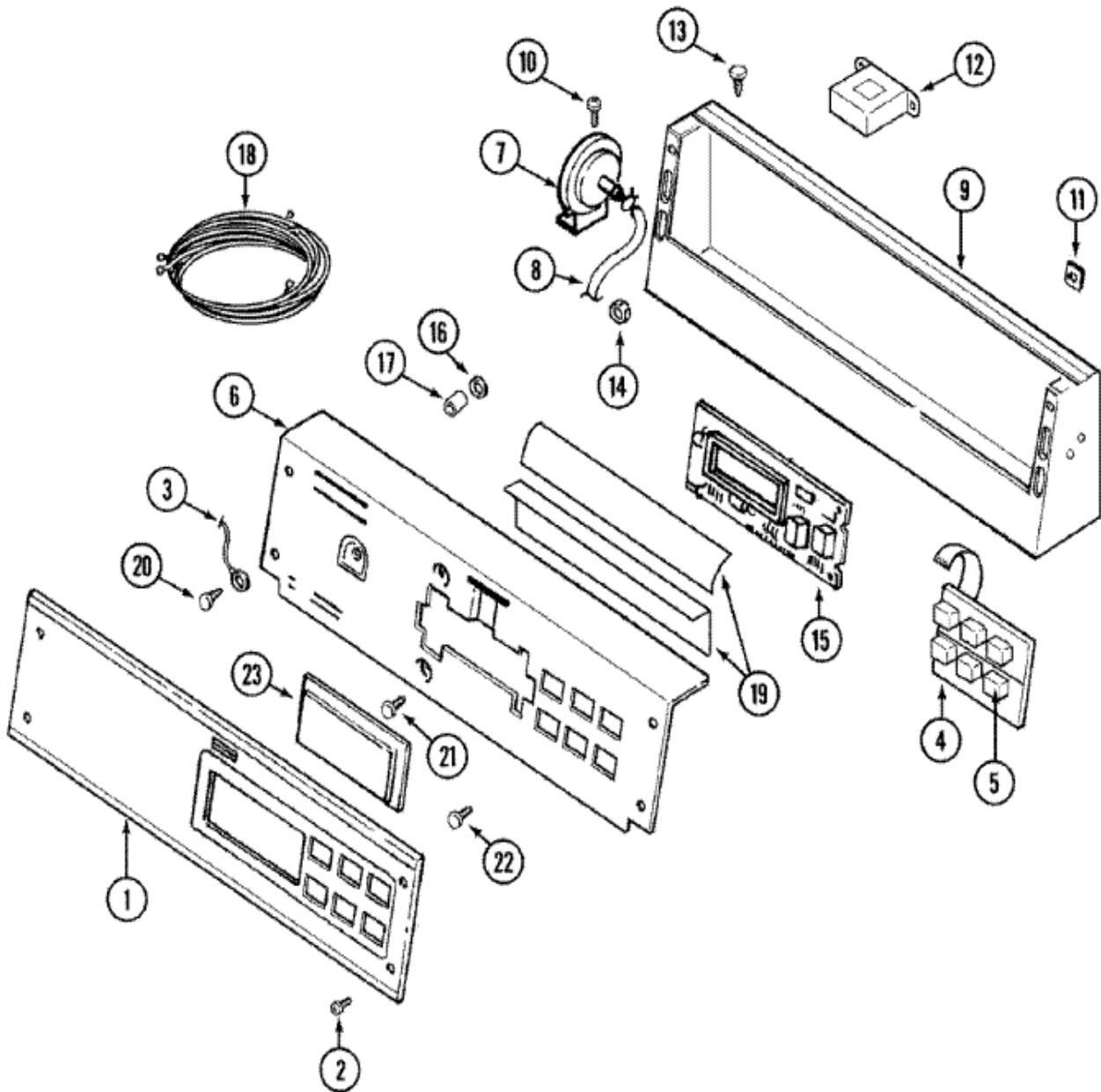


**MAH14PSAAW DEPOSITO MONEDAS**

1	22002478	VAULT, COIN (WHT) (S/P)
1	22003815	DUAL FACEPLATE (S/P)
1	22002478	VAULT, COIN (WHT)CS (S/P)
2	22001810	<b>DESCONTINUADO</b>
3	22001996	SCREW (S/P)
4	910309	WASHER (S/P)
5	22002072	<b>DESCONTINUADO</b>
6	Y052740	NUT (S/P)
7	22001903	<b>DESCONTINUADO</b>
8	211605	RETAINER, TIMER KNOB
8	910387	LOCK WASHER (S/P)
9	22001905	CAM, LOCKING (S/P)
10	33001250	SWITCH, SENSOR (S/P)
10	912012	SCREW (S/P)
11	22003679	<b>DESCONTINUADO</b>
12	22001965	<b>DESCONTINUADO</b>
13	314665	SCREW (S/P)
14	33001253	BRACKET, SENSOR SWITCH (S/P)
15	211605	RETAINER, TIMER KNOB
15	212276	SCREW (S/P)
16	22001966	HARNES, SENSOR SWITCH (S/P)
17	216442	ROD, ACTUATOR (S/P)
18	33001252	SPRING, SWITCH (S/P)
19	22003416	ACTUATOR KIT, PS (S/P)
20	Y052721	NUT (S/P)
20	22002534	BOLT, CARRIAGE (S/P)
20	22002533	WELD ASSY., FUNNEL (S/P)
20	22002478	CHUTE, COIN (S/P)
21	22001917	PLATE, ADAPTER (WHT) (S/P)
21	22001919	BRACE, COIN SLIDE (S/P)



# MAH14PSAAW TABLERO





## MAH14PSAAW TABLERO

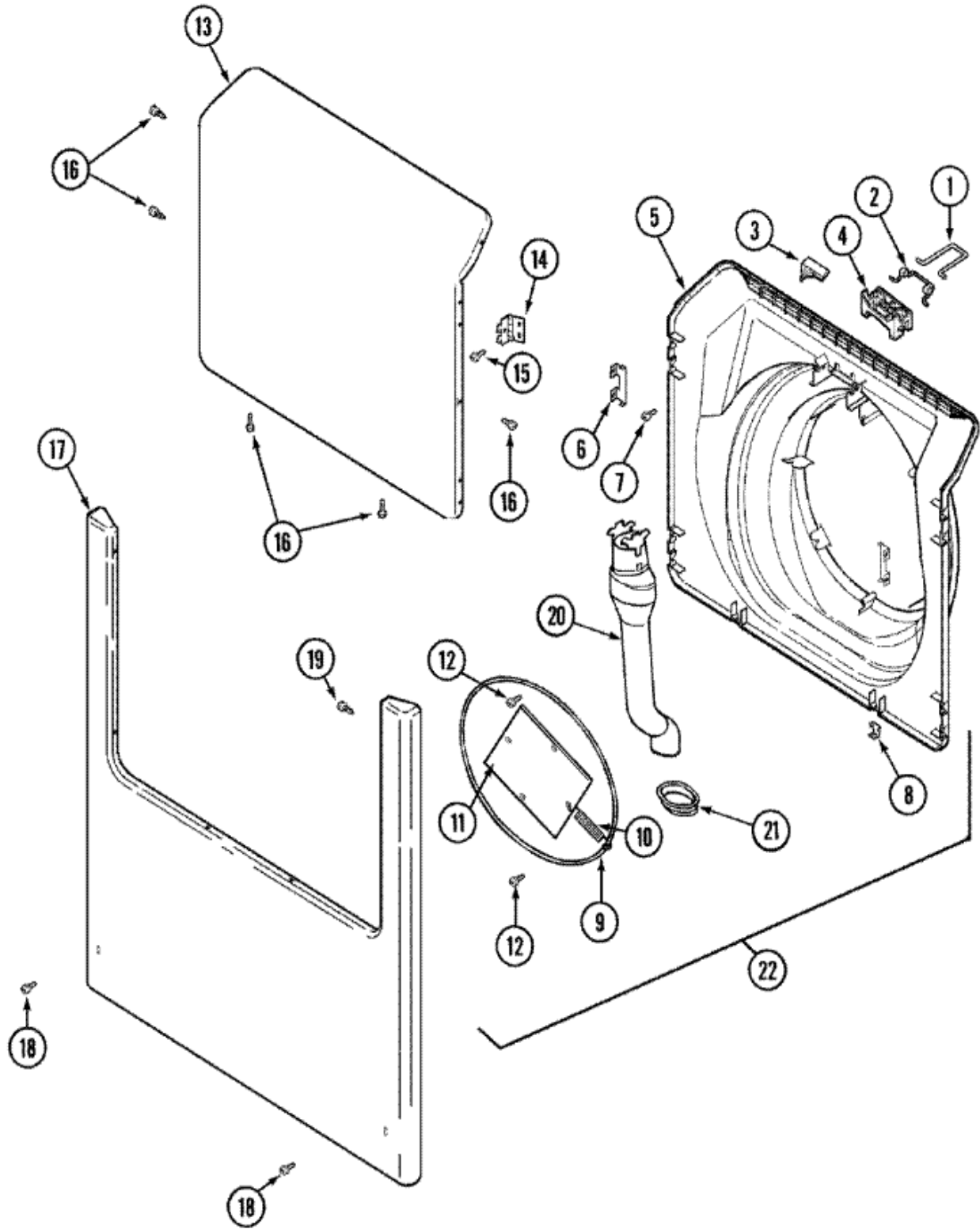
1	22004349	<b>DESCONTINUADO</b>
3	205810	WIRE, GROUND (S/P)
4	206808	CONTROL SWITCH ASSY. (S/P)
4	215527	SCREW (S/P)
5	33002863	PUSHBUTTON
6	22002036	<b>DESCONTINUADO</b>
7	22002921	SWITCH, PRESSURE
8	22002010	HOSE, AIR DOME
8	22002051	<b>DESCONTINUADO</b>
9	22002329	<b>DESCONTINUADO</b>
11	215003	FASTENER (S/P)
12	22001960	TRANSFORMER
13	211251	SCREW (S/P)
14	22001419	NUT (ELASTIC) (S/P)
15	22004335	BOARD, CONTROL (S/P)
16	912077	LOCKNUT (S/P)
17	33001204	<b>DESCONTINUADO</b>
18	22002404	WIRE HARNESS, MAIN (S/P)
18	22002690	<b>DESCONTINUADO</b>
18	22002110	WIRE HARNESS, MAIN (S/P)
18	22002471	WIRE HARNESS, MOTOR CONTROL (S/P)
18	22001966	HARNESS, SENSOR SWITCH (S/P)
18	22002454	<b>DESCONTINUADO</b>
18	22002862	UPPER SUB-HARNESS W/SWITCHES (S/P)
18	22002254	WIRE HARNESS, MAIN (S/P)
19	22002954	DEFLECTOR, WATER (W/ADHESIVE) (S/P)
20	211252	SCREW (S/P)
21	215526	SCREW (S/P)
22	215527	SCREW (S/P)
23	22001962	COVER, DISPLAY (S/P)

Distribuidor Autorizado

SurteRápido.com

Venta de Refacciones  
Electrodomesticas

# MAH14PSAAW PUERTA





## MAH14PSAAW PUERTA

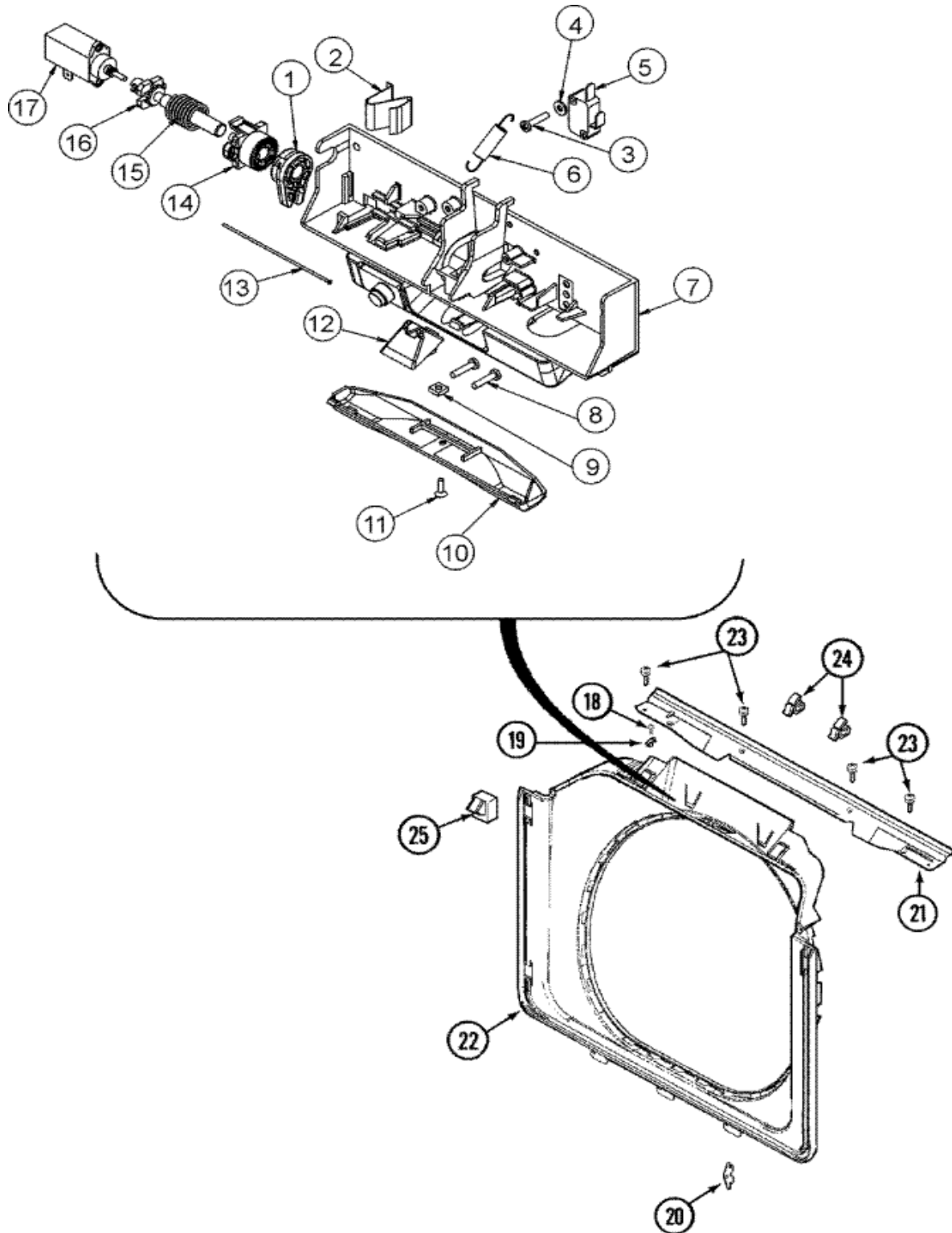
1	22223222	HOOP, LOCK (S/P)
2	22002003	SPRING, LATCH (S/P)
3	22003611	STRIKE, SECONDARY DOOR (WHT) (S/P)
4	22002168	SUPPORT, LOCK HOOP (S/P)
5	22003083	DOOR, INNER (W/VENT-WHT) (S/P)
5	22003611	INNER DOOR/SEC. DOOR STRIKE-WT (S/P)
6	22004335	CLIP, DOOR (DOUBLE)
7	22002007	SCREW (S/P)
8	22002039	CLIP, DOOR (SINGLE) (S/P)
9	22002104	WIREFRAME (S/P)
10	22002356	SPRING, PLATE (S/P)
11	22002094	PLATE (S/P)
12	22002007	SCREW (S/P)
13	22002333	LABEL, OPEN DOOR (WASHER) (S/P)
13	22001979	DOOR, OUTER (WHT-W/DAMPER) (S/P)
14	22002798	HINGE, DOOR (S/P)
15	22002062	SCREW (S/P)
16	22002063	SCREW No.8-18AB WAFER HD (S/P)
17	22002836	PANEL, FRONT (WHT) (S/P)
17	22002087	PANEL, FRONT (WHT) (S/P)
18	22001496	SCREW, TORX (S/P)
19	22002243	SCREW (S/P)
19	22002244	CLIP, GROUNDING (S/P)
19	22002012	SCREW, HINGE (S/P)
20	22003850	VENT TUBE ASSEMBLY (S/P)
21	22003075	GROMMET, VENT TUBE (S/P)
22	22003083	LINER, DOOR ASSY W/VENT (WHT) (S/P)

Distribuidor Autorizado

SurteRápido.com

Venta de Refacciones  
Electrodomesticas

# MAH14PSAAW SWITCH DE PUERTA

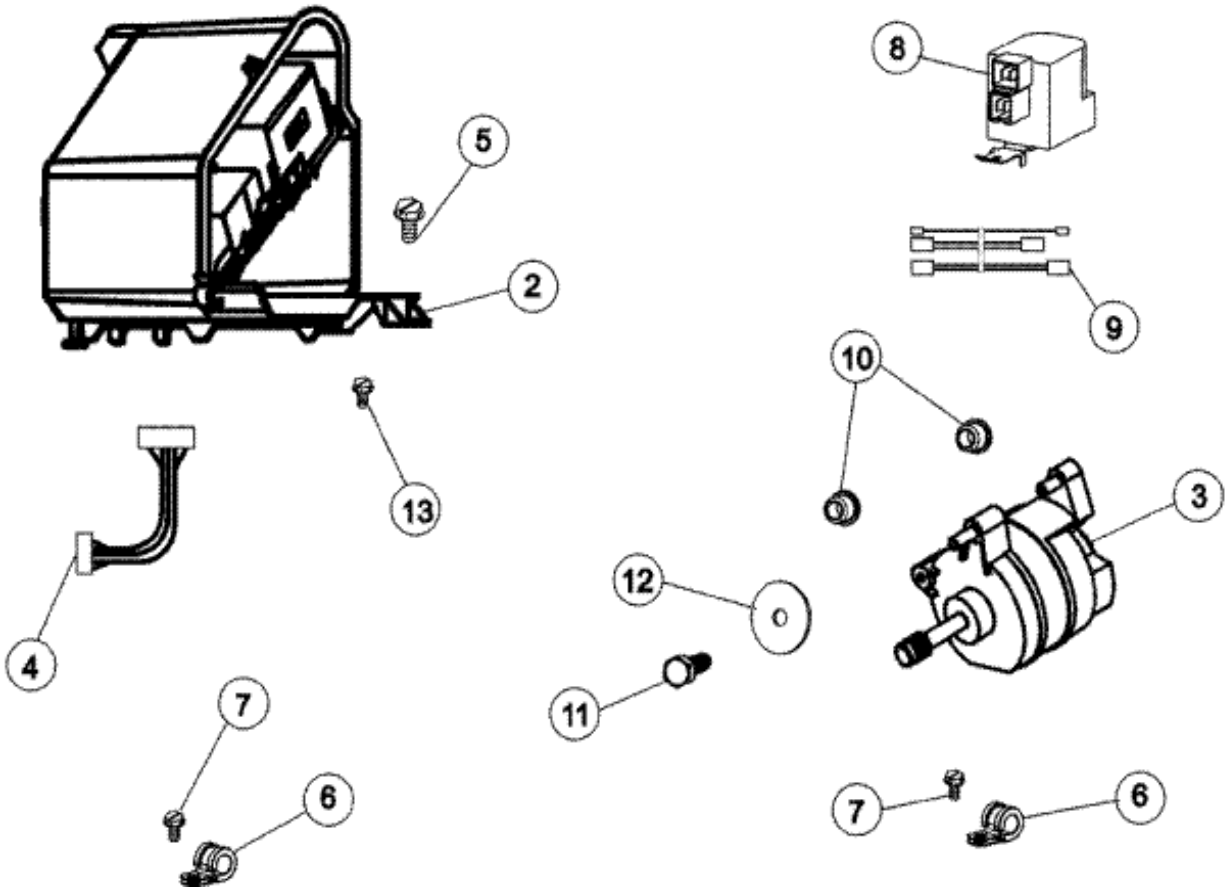
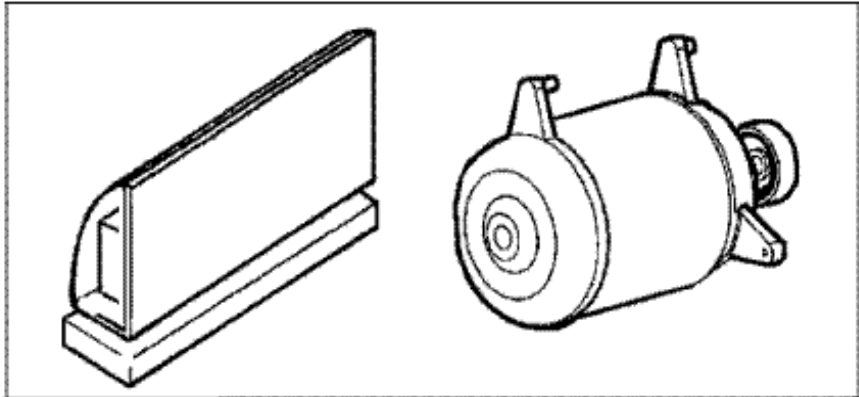




## MAH14PSAAW SWITCH DE PUERTA

1	22003716	ROTATING GEAR, LATCH (S/P)
2	22003717	SPRING, LATCH (S/P)
3	22001352	SCREW, CHECK SWITCH (S/P)
4	22002165	WASHER, DOOR LOCK SWITCH (S/P)
5	22002162	SWITCH, DOOR LOCK SPIN ENABLE (S/P)
6	22002158	SPRING, GEAR RETURN
7	22003722	SWITCH HOLDER ASSY, LATCH (S/P)
8	22003719	SCREW, LATCH (S/P)
9	22003720	NUT, LATCH
10	22002957	COVER, LATCH ASSEMBLY (LWR) (S/P)
11	22002435	SCREW (S/P)
12	22003055	RAMP, DOOR HOOP (S/P)
13	22002164	CABLE, DOOR (S/P)
14	22003715	SLIDING GEAR, LATCH (S/P)
15	22003721	SPRING, AXLE / LATCH (S/P)
16	22003718	AXLE, LATCH (S/P)
17	902899	MOTOR, WAX
18	22001996	SCREW (S/P)
19	22002014	CLIP (S/P)
20	12001994	COVER, HINGE (WHT) (S/P)
21	22002015	SUPPORT, DOOR LOCK (S/P)
22	22002234	SHROUD, PLASTIC (WHT) (S/P)
23	22001995	SCREW (S/P)
24	Y310376	CLIP, WIRE HARNESS (S/P)
25	22002046	SWITCH, SECONDARY DOOR (WHT) (S/P)

# MAH14PSAAW MOTOR





## MAH14PSAAW MOTOR

1	12002039	NEPTUNE MOTOR CONVERSION KIT
2	22004046	CONTROL ASSY., MOTOR
3	22003856	MOTOR, VARIABLE SPEED
4	22004212	HARNESS, MOTOR/MOTOR CONTROL <b>(S/P)</b>
5	33002190	SCREW (No.10-3/8``) <b>(S/P)</b>
6	22004102	P CLIPS <b>(S/P)</b>
7	22002300	SCREW <b>(S/P)</b>
8	22003854	EMI SUPPRESSION FILTER, 12A <b>(S/P)</b>
9	22004101	REPAIR JUMPER HARNESS <b>(S/P)</b>
10	22003329	ISOLATOR, MOTOR <b>(S/P)</b>
11	22003686	BOLT, MOTOR <b>(S/P)</b>
12	22002320	WASHER, STRUT <b>(S/P)</b>
13	22004103	SCREW <b>(S/P)</b>

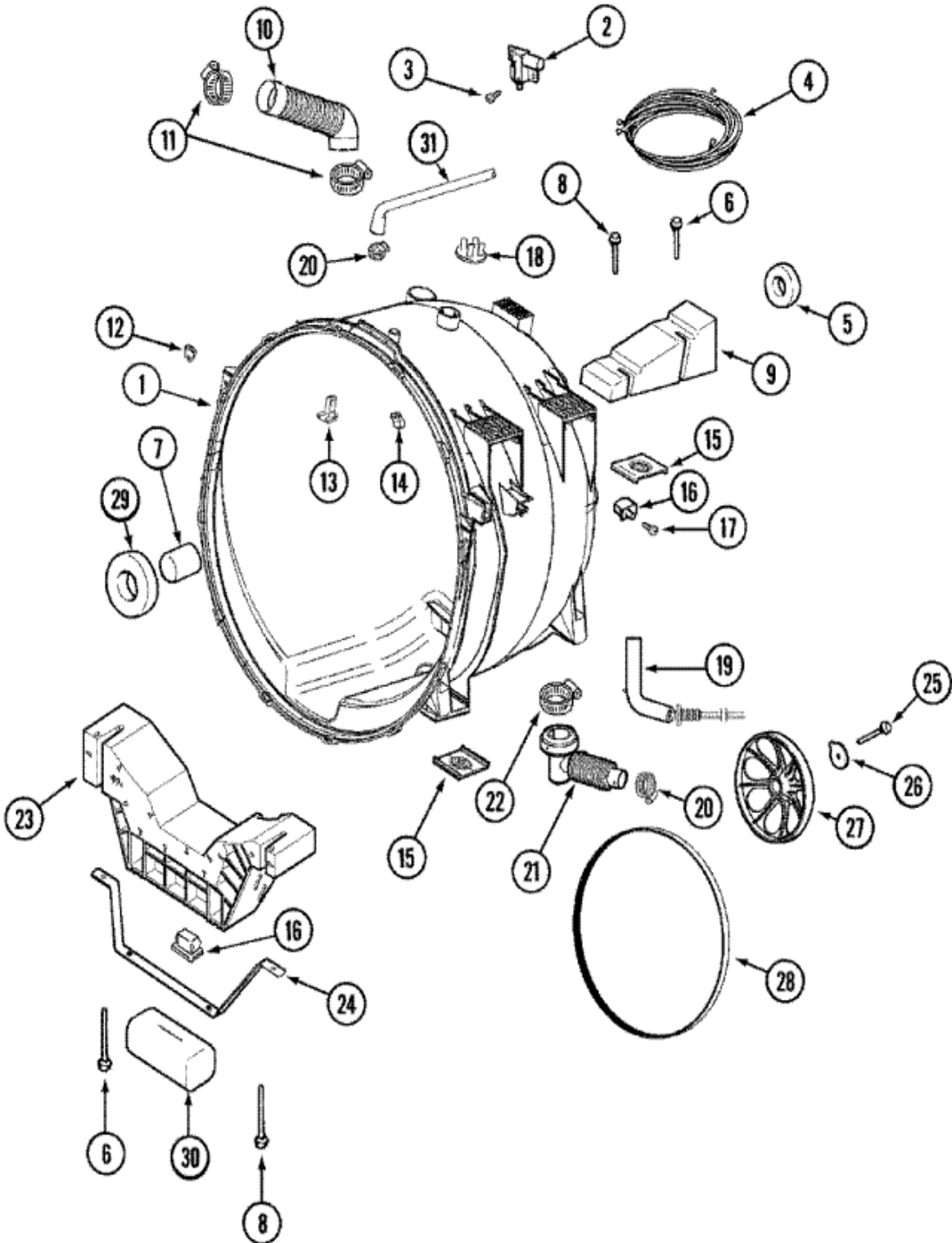


Distribuidor Autorizado

SurteRápido.com

Venta de Refacciones  
Electrodomesticas

# MAH14PSAAW TINA

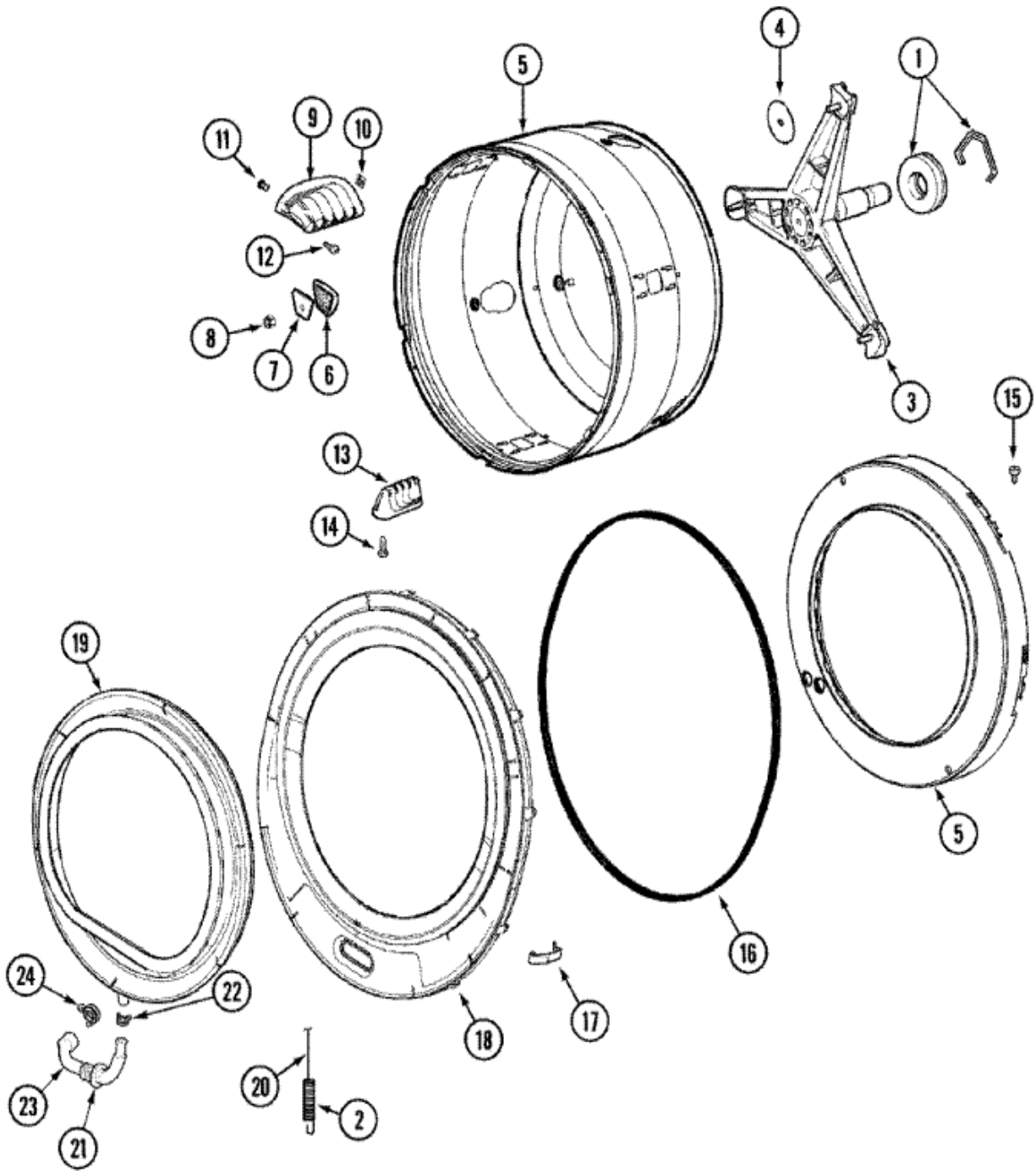




## MAH14PSAAW TINA

1	22004465	TUB ASSY. (OUTER) (S/P)
1	22004464	TUB ASSEMBLY W/COVER (S/P)
2	22003302	SWITCH, INERTIAL – UNBALANCE (S/P)
3	912615	SCREW, No.8X1/2 HEX WASHER HEAD (S/P)
4	22002545	WIRE HARNESS, DISPLACEMENT (S/P)
5	22003441	BALL BEARING, RADIAL
6	22003615	BOLT, DOUBLE SEMS 5-3/8 (S/P)
7	22002935	SPACER, BEARING (S/P)
8	22003616	BOLT, DOUBLE SEMS 3-3/8 (S/P)
9	22002102	WEIGHT, COUNTER BALANCE (S/P)
10	22002083	HOSE, INJECTOR
11	22002052	CLAMP, INJECTOR HOSE (S/P)
12	22002103	CLIP, U (S/P)
13	22004310	DEFLECTOR, WATER (S/P)
14	22002006	CLIP (S/P)
14	22002061	SCREW (S/P)
15	22002065	NUT, COUNTER BALANCE (S/P)
16	22002044	SWITCH, TUB DISPLACEMENT (S/P)
17	22002061	SCREW (S/P)
18	202515	HOSE CLAMP - 1-1/16 INCH (S/P)
19	22002010	HOSE, AIR DOME
20	22001984	CLAMP, DRAIN HOSE (S/P)
21	22003262	HOSE, TUB OUTLET
22	22002053	CLAMP, SUMP HOSE (S/P)
23	22002579	<b>DESCONTINUADO</b>
24	22002008	<b>DESCONTINUADO</b>
25	22002057	SCREW, SPINNER (S/P)
26	22003936	WASHER, SPINNER SHAFT (S/P)
27	22002315	PULLEY, SPINNER
28	12001788	BELT, DRIVE
29	24001015	BEARING, FRONT
30	22003225	CUSHION (S/P)

# MAH14PSAAW SELLOS

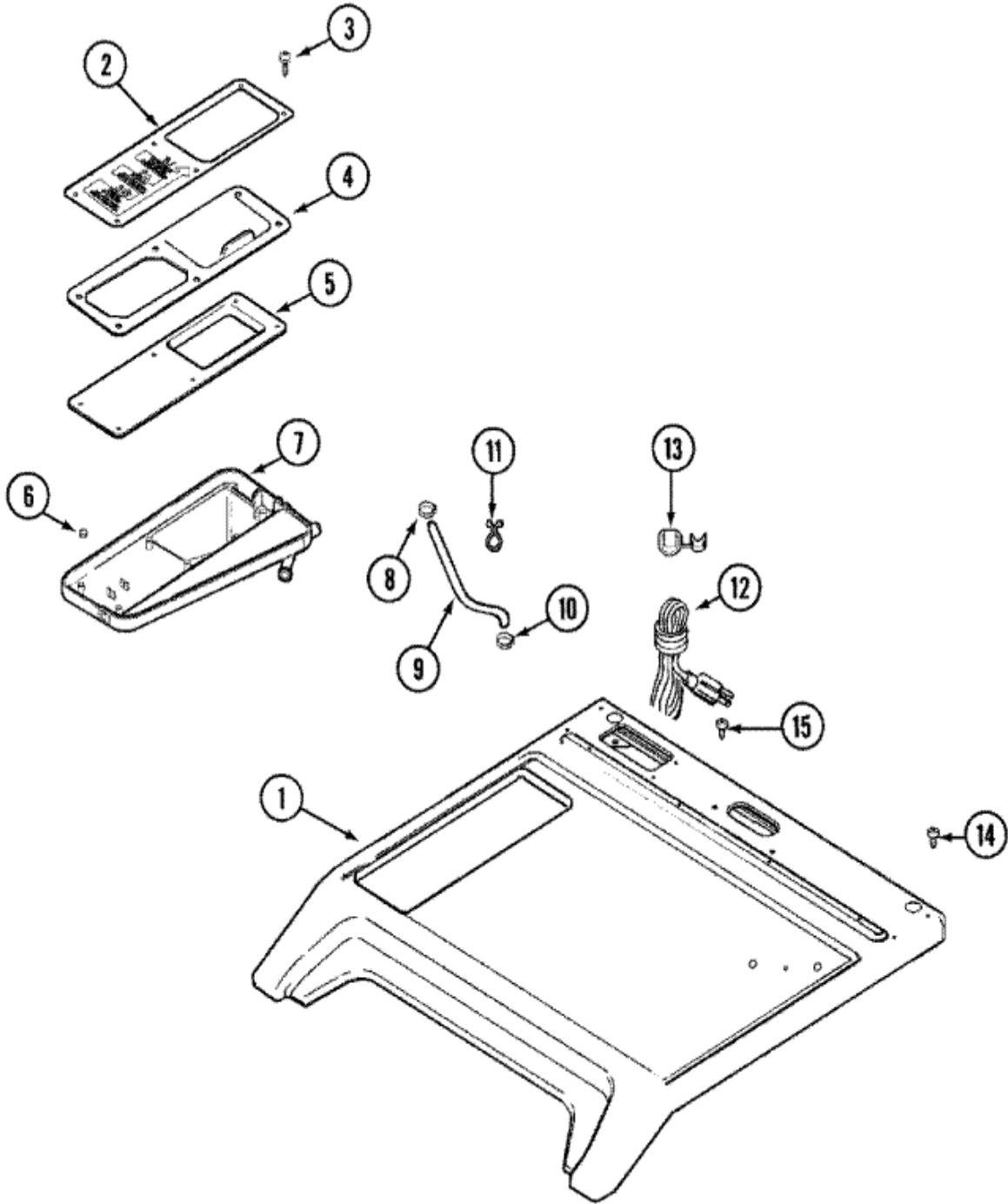




## MAH14PSAAW SELLOS

1	12002022	LIP SEAL SVC ASSY.
2	22002099	SPRING, TUB (S/P)
3	22002897	SUPPORT ASSY., SPINNER
3	22002123	TUBE, MOLYKOTE (S/P)
4	22002023	WASHER, PLASTIC (S/P)
5	22003670	SPINNER ASSY. (W/BALANCE RING)
6	22002482	WASHER, PROFILE (S/P)
7	22002020	WASHER, SPINNER SUPPORT (S/P)
8	2207454	NUT, SPINNER ATTACHMENT (S/P)
9	22001985	BAFFLE, DRIP (REAR) (S/P)
10	22002009	GROMMET, BAFFLE (REAR) (S/P)
11	22001999	GROMMET, BAFFLE (FRT) (S/P)
12	22002325	SCREW (S/P)
13	22001986	BAFFLE, DRIP (FRONT) (S/P)
14	22002059	SCREW (S/P)
15	22002028	<b>DESCONTINUADO</b>
16	22002077	SEAL, TUB COVER (S/P)
17	22002050	CLIP, TUB TO COVER (S/P)
18	22003074	GUARD, HOSE (S/P)
18	22003212	COVER, TUB (W/SEAL) (ASP)
18	22004464	COVER, TUB (W/SEAL) (S/P)
19	12002533	KIT, DOOR BOOT W/DRAIN
20	22002327	WIRE, BOOT CLAMP (S/P)
21	22003074	GUARD, HOSE (S/P)
22	22003073	CLAMP, HOSE DOUBLE WIRE (S/P)
23	22004477	DOOR BOOT DRAIN HOSE
24	22003072	CLAMP, HOSE DOUBLE WIRE (S/P)

# MAH14PSAAW TAPA





**MAH14PSAAW TAPA**

1	22002928	COVER, TOP (WHT) (S/P)
2	22002032	COVER, COMM. DISPENSER (WHT) (S/P)
3	22002230	SCREW, DISPENSER (S/P)
4	22002091	LID, COMMERCIAL DISPENSER (S/P)
5	22002074	BEZEL, COMMERCIAL (S/P)
6	22002031	PALNUT (S/P)
7	22002177	DISPENSER BOTTOM, COMMERCIAL (S/P)
8	22002054	CLAMP, STEPLESS (S/P)
9	22002084	HOSE, SHOWER (S/P)
10	201011	CLAMP, HOSE (TUB OUTLET) (S/P)
11	74007164	WIRE TIE, TWIST LOCK (S/P)
11	212276	SCREW (S/P)
12	22003062	CORD, POWER (S/P)
13	211881	GROMMET, CORD (S/P)
14	912365	SCREW (S/P)
15	210186	<b>DESCONTINUADO</b>