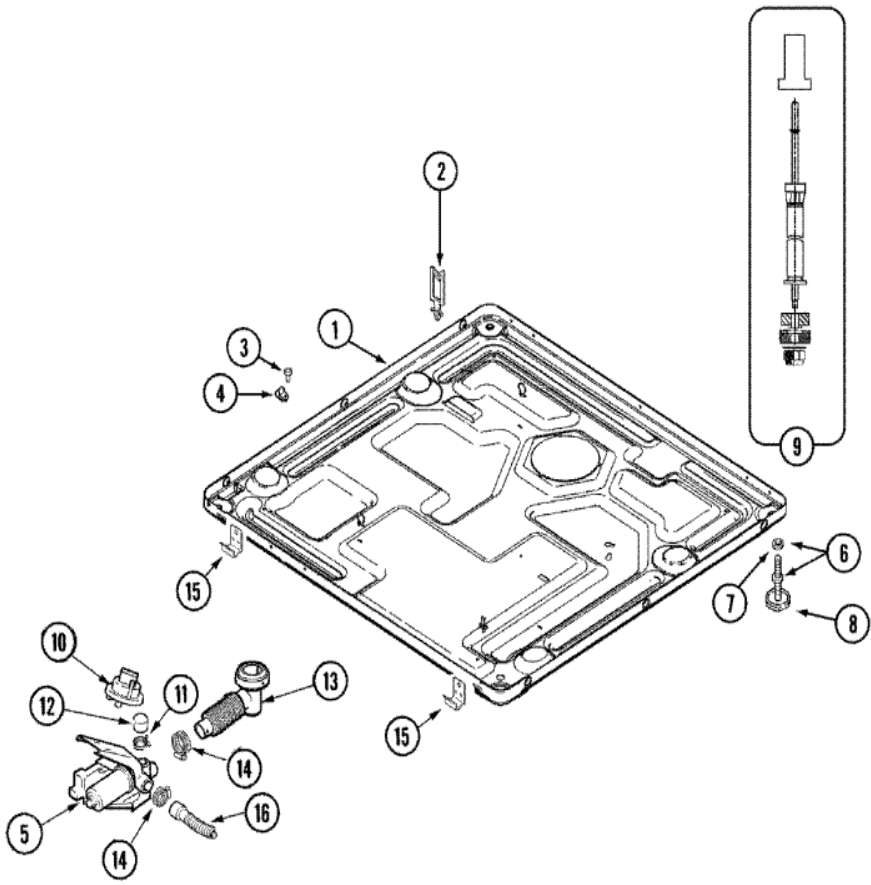


**MAH21PNAWW BASE**





## MAH21PNAWW BASE

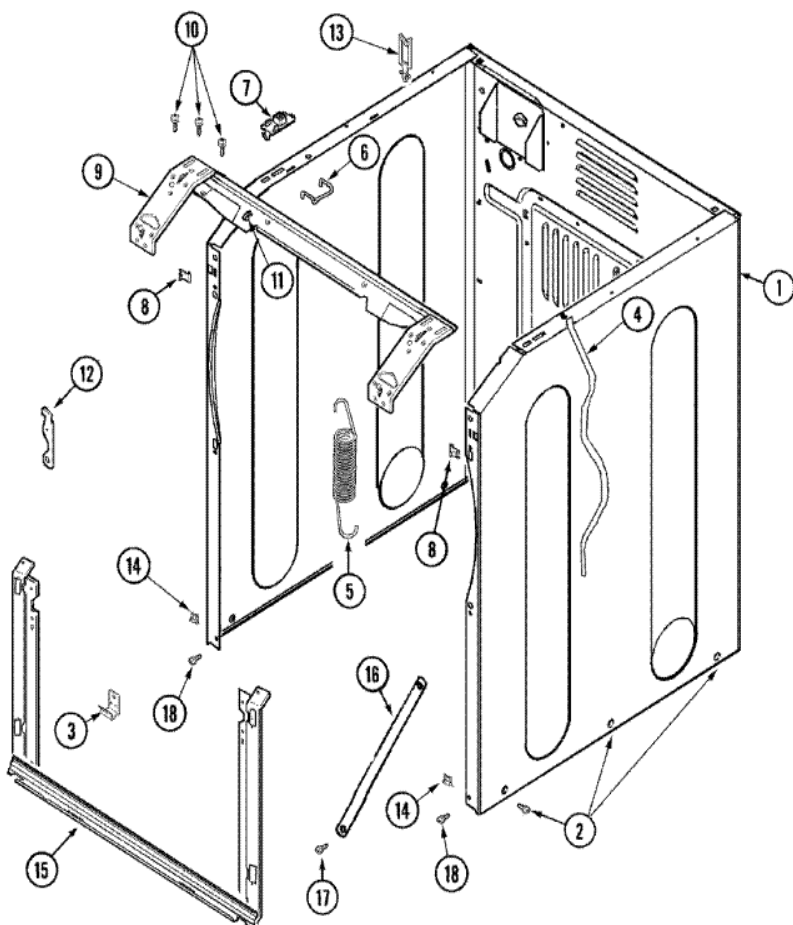
1	22003605	BASE WELD ASSEMBLY (S/P)
2	22003298	RETAINER, WIRE (S/P)
3	Y313561	<b>DESCONTINUADO</b>
4	22003327	CLAMP, LCD HARNESS TO COVER (S/P)
5	25001052	PUMP
6	22003544	ADJUSTABLE LEG W/FOOT & NUT
7	Y052740	NUT (S/P)
8	210684	FOOT, RUBBER
9	22001988	STRUT ASSY-REAR
10	22003728	SWITCH, PRESSURE
10	22003265	<b>DESCONTINUADO</b>
11	22002853	CLAMP, HOSE (S/P)
12	22003268	CAP, RUBBER (S/P)
13	22003262	HOSE, TUB TO PUMP
14	202515	HOSE CLAMP - 1-1/16 INCH (S/P)
15	22002239	CLIP, LOWER FRONT PANEL (S/P)
15	22001995	SCREW (S/P)
16	22002892	RETAINER, DRAIN HOSE (S/P)
16	12001807	HOSE, DRAIN (CORR)(80 1/2")

Distribuidor Autorizado

**SurteRápido.com**

Venta de Refacciones  
Electrodomesticas

## MAH21PNAWW GABINETE





## MAH21PNAWW GABINETE

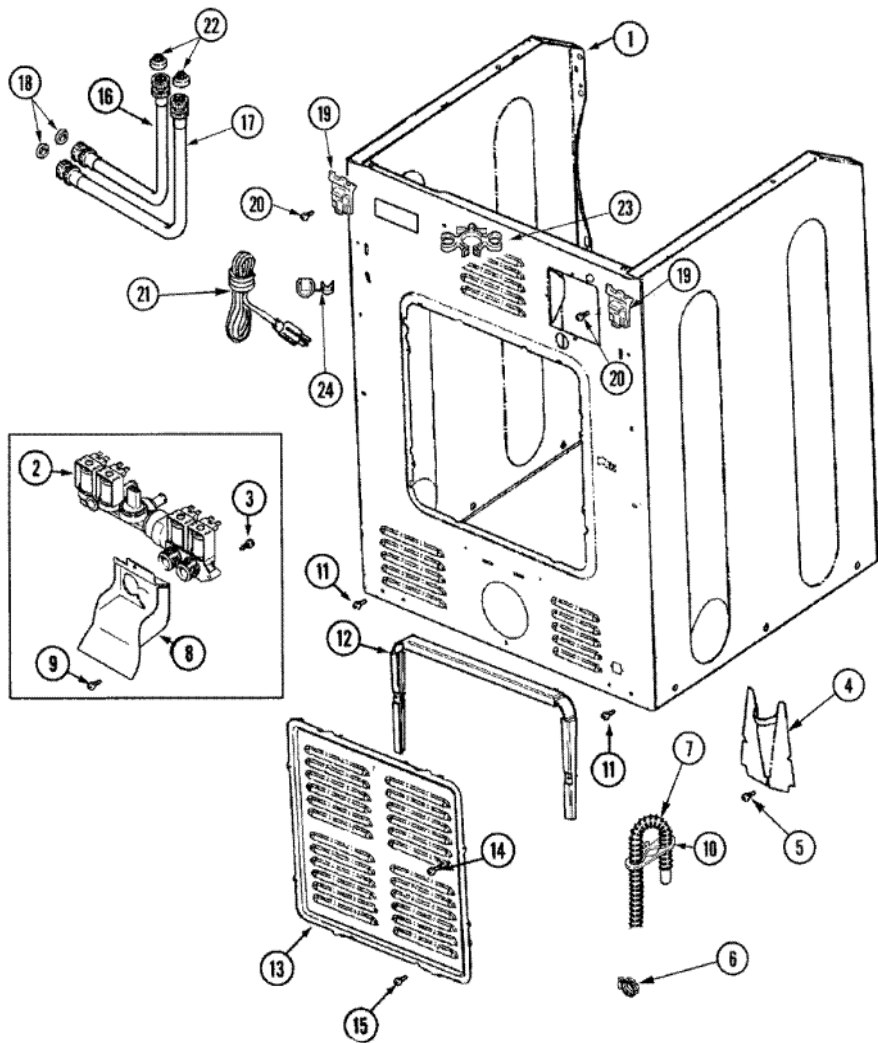
1	22003639	<b>DESCONTINUADO</b>
2	22003409	<b>DESCONTINUADO</b>
3	22002239	CLIP, LOWER FRONT PANEL (S/P)
4	33001836	STRAP, TOP COVER SUPPORT (S/P)
5	22003254	SPRING, CABINET (S/P)
6	22002297	SUPPORT, SPRING (S/P)
7	22001997	SPACER, TOP COVER (S/P)
8	22002049	CLIP (S/P)
9	22003637	BRACE ASSEMBLY, TOP CROSS (S/P)
10	22001995	SCREW (S/P)
11	22002014	CLIP (S/P)
12	33002597	HOOK, SECURITY (S/P)
13	22003298	RETAINER, WIRE (S/P)
14	22002013	STOP, SHIPPING (S/P)
15	22003652	SHROUD SUPPORT ASSEMBLY (S/P)
16	22002767	BRACE, CROSS (S/P)
17	22001995	SCREW (S/P)
18	22001995	SCREW (S/P)

Distribuidor Autorizado

SurteRápido.com

Venta de Refacciones  
Electrodomesticas

# MAH21PNAWW GABINETE





**MAH21PNAWW GABINETE**

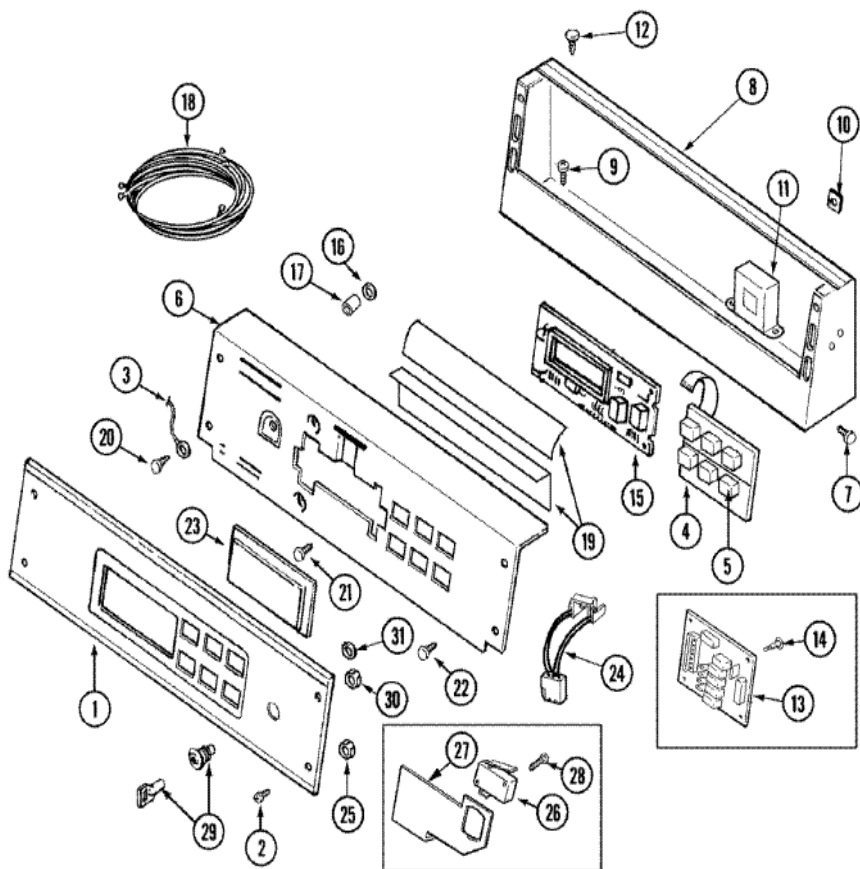
1	22003639	<b>DESCONTINUADO</b>
2	22002944	VALVE, WATER
2	22003940	WATER VALVE (S/P)
3	22002436	SCREW (S/P)
4	22002704	COVER, DRAIN HOSE (S/P)
5	22001995	SCREW (S/P)
6	22001984	CLAMP, DRAIN HOSE (S/P)
7	12001807	HOSE, DRAIN (CORR)(80 1/2``)
8	33002212	BRACKET, WATER VALVE (S/P)
9	22002925	SCREW (S/P)
10	22002892	RETAINER, DRAIN HOSE (S/P)
11	22001995	SCREW (S/P)
12	22002022	SPACER, ACCESS PANEL (S/P)
13	22002092	PANEL, ACCESS (S/P)
14	22002295	SCREW (S/P)
15	22002925	SCREW (S/P)
16	12001901	INLET HOSE ASSY (COLD) (S/P)
17	12001900	INLET HOSE ASSY (HOT) (S/P)
18	Y013783	GASKET, INLET HOSE (S/P)
19	22004095	HINGE, PLASTIC
20	22001995	SCREW (S/P)
21	22003062	CORD, POWER (AS WRAPPED) (S/P)
22	22002960	STRAINER (S/P)
23	22002932	CLIP, DRAIN HOSE (S/P)
24	22003057	PLUG, HOLE (S/P)
24	2-11881	GROMMET, CORD

Distribuidor Autorizado

SurteRápido.com

Venta de Refacciones  
Electrodomesticas

## MAH21PNAWW TABLERO





**MAH21PNAWW TABLERO**

1	22003746	PANEL, CONTROL (AS-PK) (S/P)
2	215506	SCREW, TORX (S/P)
3	205810	WIRE, GROUND (S/P)
4	206808	CONTROL SWITCH ASSY. (S/P)
4	215527	SCREW (S/P)
5	33002863	PUSHBUTTON (S/P)
6	22003697	<b>DESCONTINUADO</b>
7	212276	SCREW (S/P)
8	22003101	<b>DESCONTINUADO</b>
10	215003	FASTENER (S/P)
11	22001960	TRANSFORMER (S/P)
13	22004171	<b>DESCONTINUADO</b>
14	22002943	STAND-OFF (S/P)
15	22003700	CONTROL BOARD (S/P)
16	912077	LOCKNUT (S/P)
17	33001204	<b>DESCONTINUADO</b>
18	22002782	PAD, FOAM (SOUND DAMPENER) (S/P)
18	22003858	EMI SUPPRESSION FILTER, 16ª (S/P)
18	22003934	<b>DESCONTINUADO</b>
18	22003675	HARNESS, WIRE (S/P)
18	33002090	<b>DESCONTINUADO</b>
19	22002954	DEFLECTOR, WATER (W/ADHESIVE) (S/P)
20	210186	<b>DESCONTINUADO</b>
23	22001962	COVER, DISPLAY (S/P)
24	33002090	<b>DESCONTINUADO</b>
25	22003702	NUT, LOCK (S/P)
26	22002367	<b>DESCONTINUADO</b>
27	33001982	BRACKET, SWITCH MOUNTING (S/P)
29	22002349	LOCK, ACCESS DOOR (S/P)
29	213750	LOCKING CAM (S/P)
30	212328	NUT, HEX (S/P)
31	22001354	WASHER, LOCK (S/P)

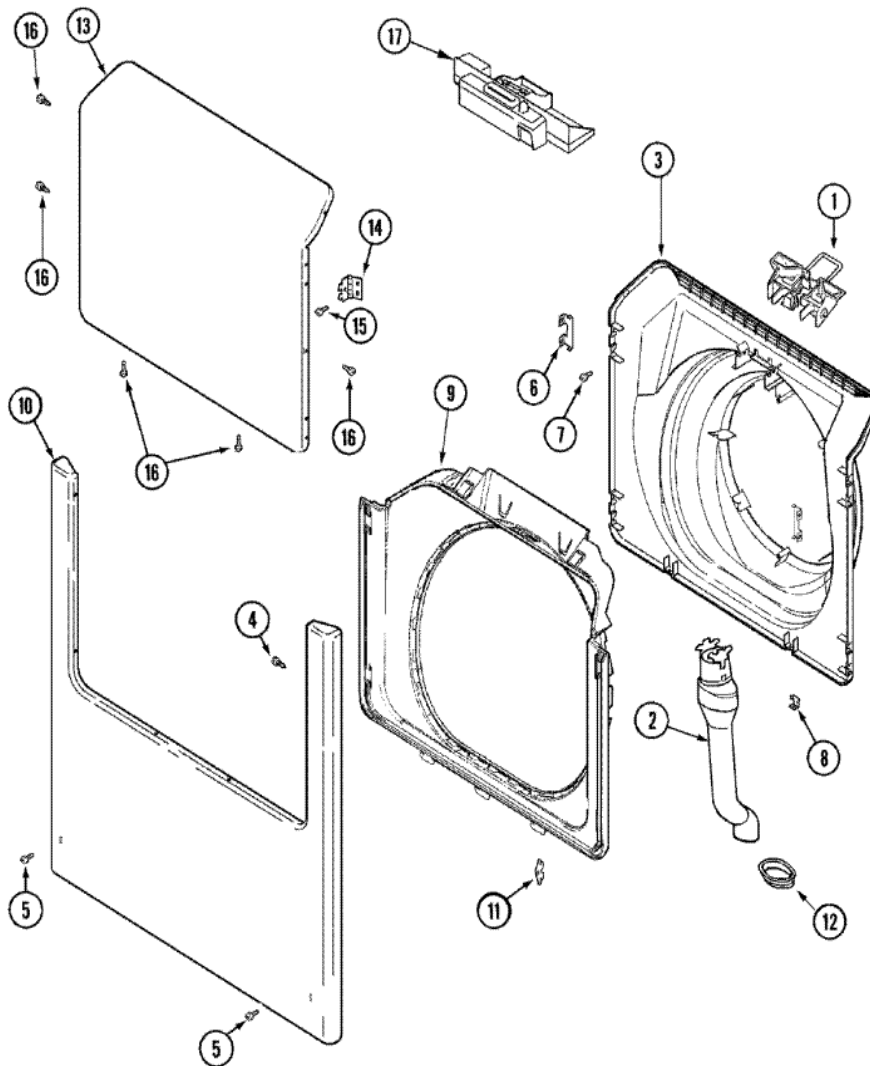


Distribuidor Autorizado

SurteRápido.com

Venta de Refacciones  
Electrodomesticas

## MAH21PNAWW PUERTA

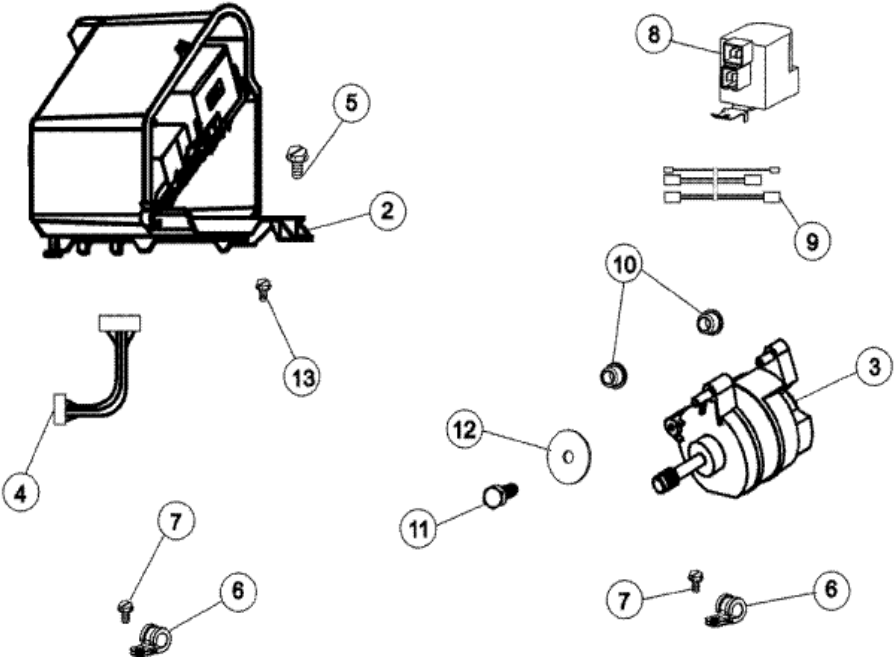
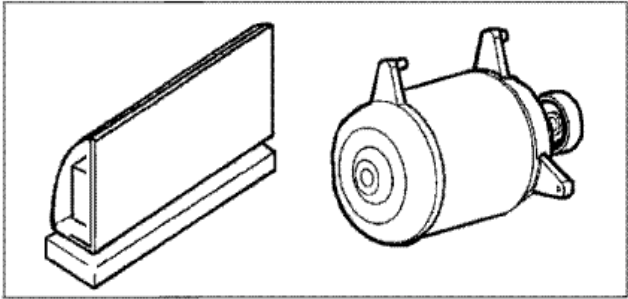




## MAH21PNAWW PUERTA

1	22003269	DOOR, LOCK HOOP ASSEMBLY (S/P)
2	22003576	VENT TUBE ASSY. (S/P)
3	22003275	DOOR, INNER (WHT)
4	22002244	CLIP, GROUNDING (S/P)
5	33002190	SCREW (No.10-3/8") (S/P)
6	22002038	CLIP, DOOR (DOUBLE) (S/P)
7	22002007	SCREW (S/P)
8	22002039	CLIP, DOOR (SINGLE) (S/P)
9	22003516	<b>DESCONTINUADO</b>
10	22002836	PANEL, FRONT (WHT) (S/P)
11	22002095	COVER, HINGE (WHT) (S/P)
11	33001764	COVER, HINGE HOLE (WHT) (S/P)
11	33001846	SCREW (S/P)
12	22003075	GROMMET, VENT TUBE (S/P)
13	22003785	DOOR, OUTER (WHT) (S/P)
14	22002798	HINGE, DOOR (S/P)
15	22002062	SCREW (S/P)
16	22002063	SCREW No.8-18AB WAFER HD (S/P)
17	22003706	DOOR LOCK ASSEMBLY, COMMERCIAL

**MAH21PNAWW MOTOR**





## MAH21PNAWW MOTOR

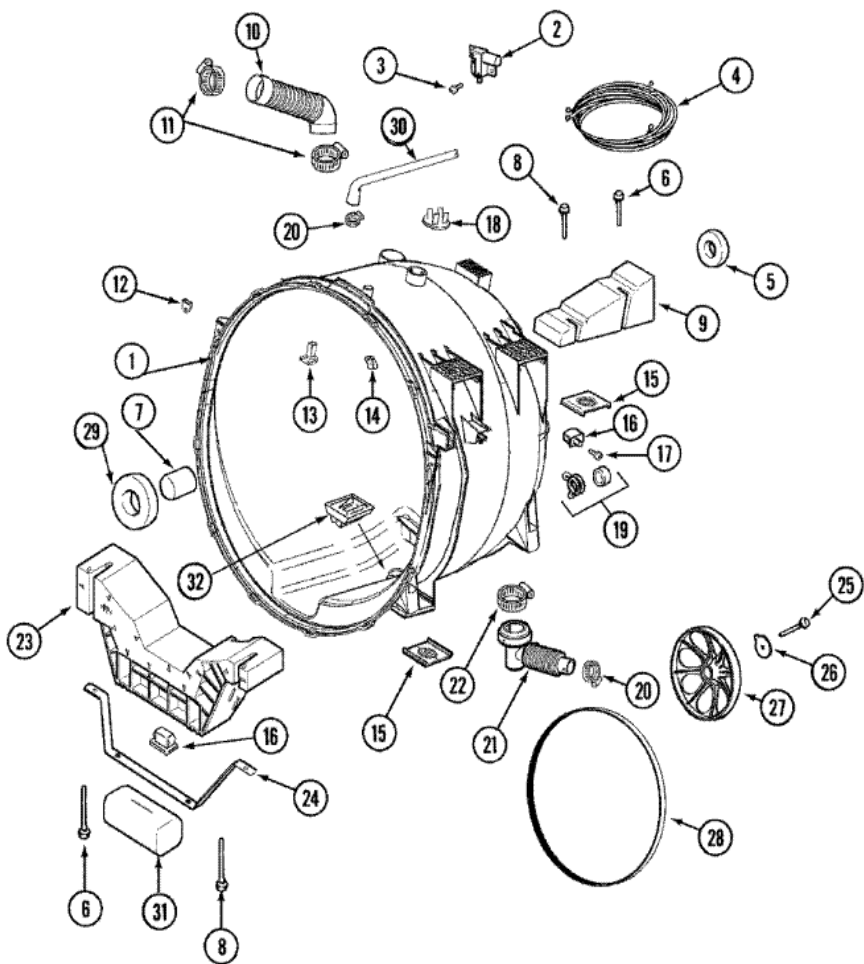
1	12002039	NEPTUNE MOTOR CONVERSION KIT
2	22004046	CONTROL ASSY., MOTOR
3	22003856	MOTOR, VARIABLE SPEED
4	22004212	HARNESS, MOTOR/MOTOR CONTROL (S/P)
5	33002190	SCREW (No.10-3/8") (S/P)
6	22004102	P CLIPS (S/P)
7	22002300	SCREW (S/P)
8	22003854	EMI SUPPRESSION FILTER, 12 <sup>a</sup> (S/P)
9	22004101	REPAIR JUMPER HARNESS (S/P)
10	22003329	ISOLATOR, MOTOR (S/P)
11	22003686	BOLT, MOTOR (S/P)
12	22002320	WASHER, STRUT (S/P)
13	22004103	SCREW (S/P)

Distribuidor Autorizado

SurteRápido.com

Venta de Refacciones  
Electrodomesticas

MAH21PNAWW TINA



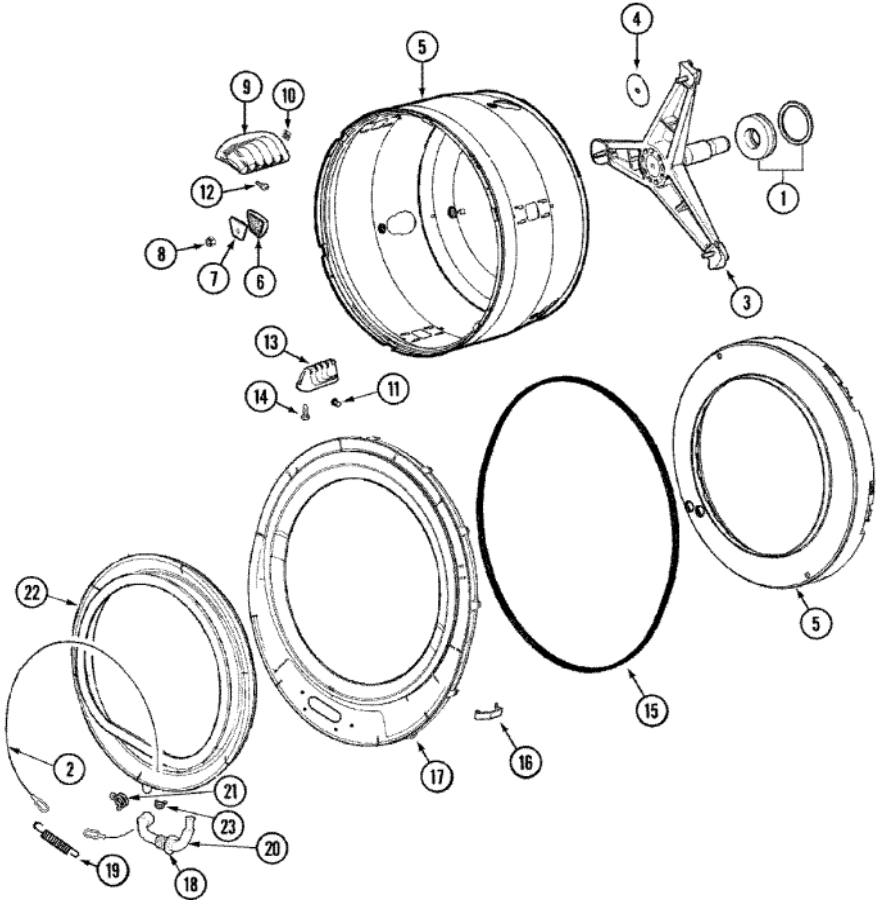


## MAH21PNAWW TINA

1	22004465	OUTER TUB ASSEMBLY AS-PK KIT (S/P)
2	22003302	SWITCH, INERTIAL – UNBALANCE (S/P)
2	22002006	CLIP (S/P)
3	22002061	SCREW (S/P)
3	22002300	SCREW (S/P)
4	22003684	WIRE HARNESS, UPPER SUB ASSY (S/P)
4	22004052	HARNESS UPPER SUB ASSY (S/P)
4	22004093	COVER, UNBALANCE SWITCH (S/P)
5	22003441	BEARING, REAR
6	22003828	PLATED BOLT, DOUBLE SEMS SU (S/P)
6	22003615	BOLT, DOUBLE SEMS 5-3/8 (S/P)
7	22002935	SPACER, BEARING (S/P)
8	22003828	PLATED BOLT, DOUBLE SEMS SU (S/P)
8	22003616	BOLT, DOUBLE SEMS 3-3/8 (S/P)
9	22002102	WEIGHT, COUNTER BALANCE (S/P)
10	22002083	HOSE, INJECTOR
11	22003627	CLAMP, INJECTOR HOSE (S/P)
12	22002103	CLIP, U (S/P)
13	22004310	DEFLECTOR, WATER (S/P)
14	22002006	CLIP (S/P)
15	22002065	NUT, COUNTER BALANCE (S/P)
16	22002044	SWITCH, TUB DISPLACEMENT (S/P)
17	22002061	SCREW (S/P)
18	22002797	CLIP, HOSE (SADDLE HORN) (S/P)
19	22003261	PLUG, OUTER TUB (S/P)
19	22003295	CLAMP, OUTER TUB PLUG (S/P)
20	202515	HOSE CLAMP - 1-1/16 INCH (S/P)
21	22003262	HOSE, TUB TO PUMP
22	22002053	CLAMP, SUMP HOSE (S/P)
23	22004472	LOWER BRACKET (S/P)
23	22003253	BRACKET, FRONT WEIGHT (S/P)
24	22001810	<b>DESCONTINUADO</b>
25	22002057	SCREW, SPINNER (S/P)

26	22003936	WASHER, SPINNER SHAFT <b>(S/P)</b>
27	22002315	PULLEY, SPINNER
28	12001788	KIT, BELT & ISOLATOR
29	24001015	BEARING, FRONT
30	22003259	HOSE, SHOWER (9 1/2``) <b>(S/P)</b>
30	74007164	WIRE TIE, TWIST LOCK <b>(S/P)</b>
31	22003225	CUSHION <b>(S/P)</b>
31	22003827	CUSHION <b>(S/P)</b>
32	22003710	CAP, SUMP <b>(S/P)</b>
32	22003263	SCREW <b>(S/P)</b>

**MAH21PNAWW SELLOS**



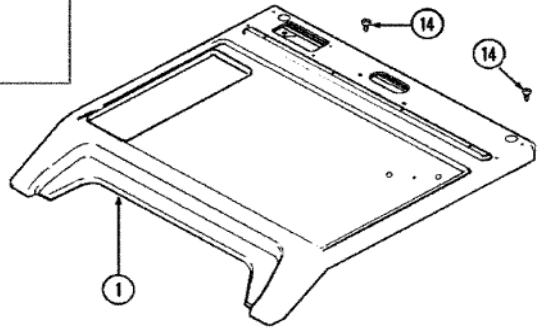
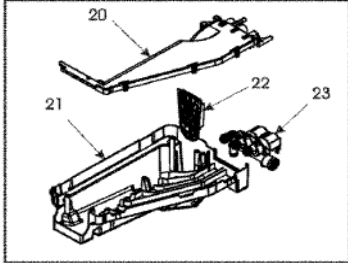
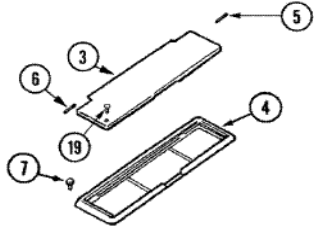
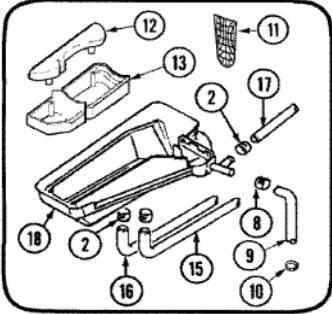




## MAH21PNAWW SELLOS

1	12002022	LIP SEAL KIT
2	22002327	BOOT CABLE CLAMP (S/P)
3	22002897	SUPPORT ASSY., SPINNER
3	22002123	TUBE, MOLYKOTE (S/P)
4	22002023	WASHER, PLASTIC (S/P)
5	22003670	SPINNER ASSY W` BALANCE RING (S/P)
6	22002482	WASHER, PROFILE (S/P)
7	22002020	WASHER, SPINNER SUPPORT (S/P)
8	2207454	NUT, SPINNER ATTACHMENT (S/P)
9	22001985	BAFFLE, DRIP (REAR) (S/P)
10	22002009	GROMMET, BAFFLE (REAR) (S/P)
11	22001999	GROMMET, BAFFLE (FRT) (S/P)
12	22003556	SCREW (S/P)
13	22001986	BAFFLE, DRIP (FRONT) (S/P)
14	22002059	SCREW (S/P)
15	22002077	SEAL, TUB COVER (S/P)
16	22002050	CLIP, TUB TO COVER (S/P)
17	22003212	COVER, TUB (W/SEAL) (ASP)
17	22004464	OUTER TUB/TUB COVER KIT (S/P)
17	22004254	COVER, TUB W/SEAL&CAPS ASPK (S/P)
18	22003074	GUARD, HOSE (S/P)
19	22002099	SPRING, TUB (S/P)
20	22004477	DOOR BOOT DRAIN HOSE
21	22003072	CLAMP, HOSE DOUBLE WIRE (S/P)
22	12002533	DOOR BOOT W/DRAIN (GRAY)
23	22003073	CLAMP, HOSE DOUBLE WIRE (S/P)

**MAH21PNAWW TAPA**





## MAH21PNAWW TAPA

1	22004180	TOP COVER W/TAPE WHT (S/P)
2	205161	CLAMP - 15/16`` (S/P)
3	22002941	LID, DISPENSER (S/P)
3	12001671	CHEMICAL INJECT.DISPENSER ASSY (S/P)
4	22003665	BEZEL, DISPENSER (S/P)
5	Y912678	PIN, HINGE (LONG) (S/P)
6	Y912679	PIN, HINGE (SHORT) (S/P)
7	22002060	SCREW, BEZEL (S/P)
8	22001984	CLAMP, DRAIN HOSE (S/P)
9	22003259	HOSE, SHOWER (9 1/2``) (S/P)
10	201011	CLAMP, HOSE (TUB OUTLET) (S/P)
11	22003321	GRID, DISPENSER (S/P)
12	22003849	SIPHON CAP (S/P)
12	22002266	CAP, SIPHON
13	22002265	CUP, SIPHON
13	22003848	SIPHON CUP (S/P)
14	912365	SCREW (S/P)
15	22002551	HOSE, BLEACH (S/P)
16	22003634	HOSE, FABRIC SOFTENER (S/P)
17	22003457	HOSE, DETERGENT (S/P)
18	22003322	TOP, DISPENSER (FLUME) (S/P)
18	22003320	BOTTOM, DISPENSER ASSY. (S/P)
18	22003723	BOTTOM, DISPENSER (S/P)
19	22003681	SCREW, DISPENSER LID (S/P)
20	22003845	DISPENSER COVER (FLUME) (S/P)
21	22003844	DISPENSER BOTTOM (S/P)
22	22003321	GRID, DISPENSER (S/P)
23	12001929	VALVE SEAL KIT (S/P)
23	22003833	HOSE, TUB SHOWER (S/P)
23	12001930	DISPENSER VALVE (S/P)
23	22001640	CLAMP, HOSE (S/P)
23	22003832	FILL HOSE, DISPENSER (S/P)