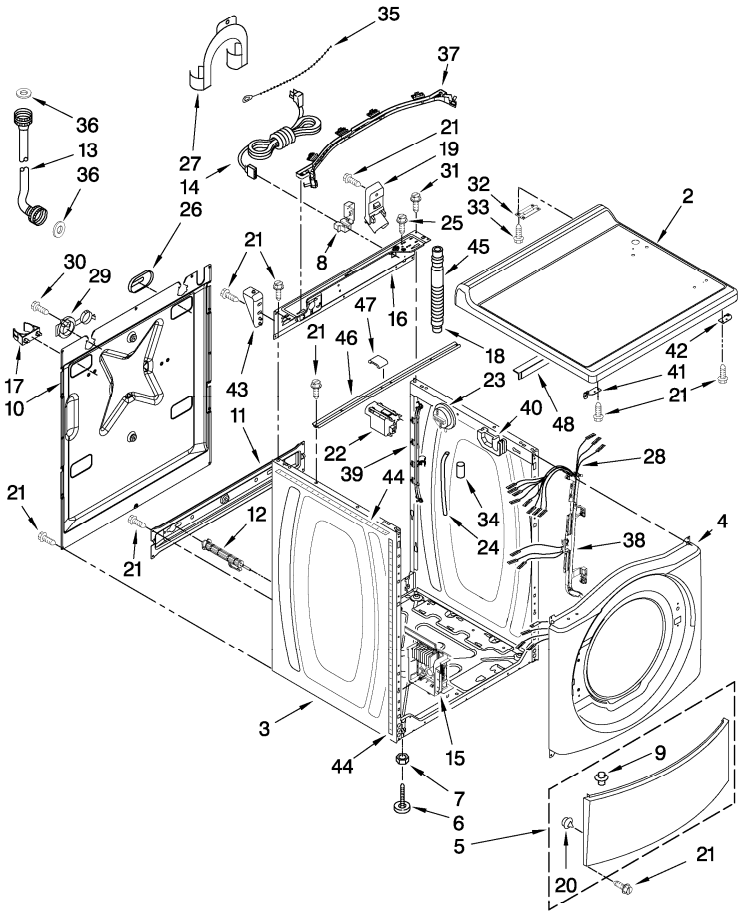


**MAH2PDAGW0 GABINETE**



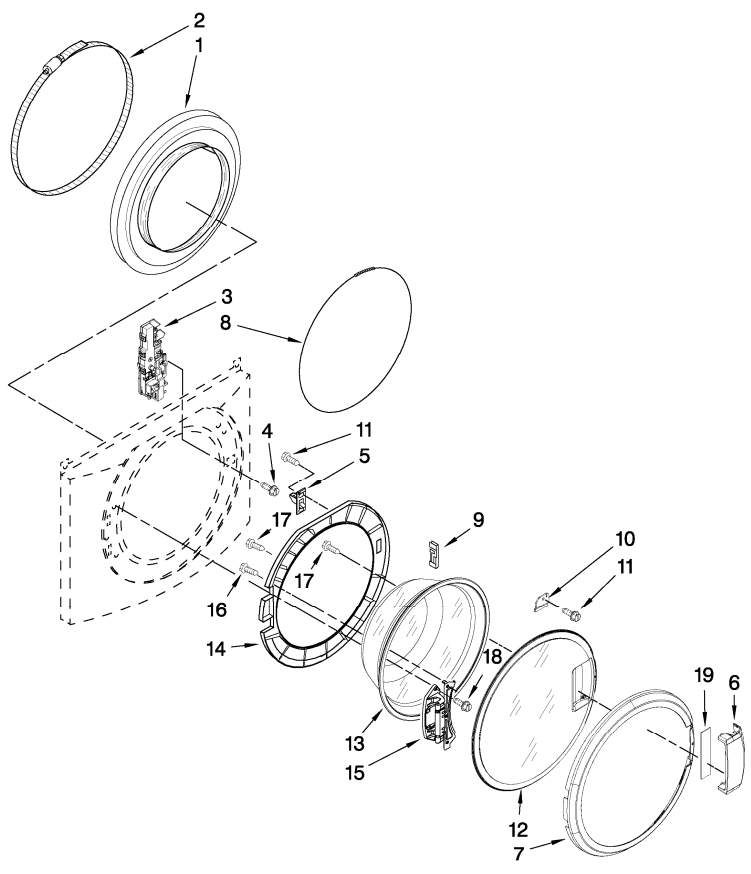


## MAH22PDAGW0 GABINETE

2	W10137411	TOP (S/P)
3	W10201831	CABINET (S/P)
4	W10306505	PANEL, FRONT (S/P)
5	8540813	TOE PANEL (S/P)
6	W10245373	FOOT, LEVELING (4) (S/P)
7	3359452	NUT, LOCK (4) (S/P)
8	8182635	STRAIN RELIEF, POWER CORD (S/P)
9	8518891	RIVET (S/P)
10	8540582	PANEL, REAR (S/P)
11	W10189659	BRACE, TRANSPORT (S/P)
12	W10285622	BOLT, SHIPPING (4) (S/P)
13	W10276793	HOSE, WATER INLET (COLD WATER) (S/P)
13	W10276795	HOSE, WATER INLET (WARM WATER) (S/P)
14	W10045597	CORD, POWER (PARTS NOT SHOWN) (S/P)
14	W10223804	10A CORD ADAPTERS: (AUSTRALIAN) (S/P)
14	W10223807	10A CORD ADAPTERS: (BRITISH) (S/P)
14	W10223809	10A CORD ADAPTERS: (EUROPEAN) (S/P)
14	W10153836	10A CORD LOCK (S/P)
15	W10259012	MOTOR CONTROL UNIT (S/P)
16	W10161694	BRACE, REAR (S/P)
17	W10182936	CLAMP, TUBE- TRANSPORTATION (3) (S/P)
18	W10114608	HOSE, DRAIN (S/P)
19	8540607	RETAINER, HOSE OUTLET (S/P)
20	238614	BUMPER (2) (S/P)
21	W10015090	SCREW, 8-18 X 5/8 (S/P)
22	W10269676	FILTER, INTERFERENCE (S/P)
23	W10163980	SWITCH, PRESSURE
24	8540294	HOSE, PRESSURE SWITCH (S/P)
25	8540479	SCREW, GROUNDING (S/P)
26	8540268	COVER, TRANSPORT (S/P)
27	W10280024	U-BEND, DRAIN HOSE (S/P)
28	W10203594	HARNESS, WIRING (LOWER MAIN) (S/P)
29	8182699	SLEEVE, CORD SUPPORT (2) (S/P)

30	8540727	SCREW, 3 X 8 MM (S/P)
31	8540329	SCREW (S/P)
32	8565018	HINGE & PIN ASSEMBLY (S/P)
33	342055	SCREW, 8-18 X 1/2 (S/P)
34	2162499	SLEEVE, PRESSURE SWITCH HOSE (S/P)
35	3347868	CABLE TIE (S/P)
36	16123	WASHER, WATER INLET HOSE (4) 1-1/16 X 5/8 (S/P)
37	W10168548	HARNESS CHANNEL, TOP REAR (S/P)
38	W10200785	HARNESS CHANNEL, SIDE FRONT (S/P)
39	W10168547	HARNESS CHANNEL, SIDE REAR (S/P)
40	8540643	BRACKET, SPRING (S/P)
41	W10137445	BRACKET - TOP PANEL, LEFT (S/P)
42	W10137444	BRACKET - TOP PANEL, RIGHT (S/P)
43	W10137398	STOP - TOP PANEL (S/P)
44	8318396	SEAL, FOAM-IEC (S/P)
45	W10231519	SLEEVE, DRAIN HOSE (S/P)
46	8540721	BRACE, TOP (S/P)
47	8283273	DAMPER, BRACE (6) (S/P)
48	W10279059	SUPPORT, TOP-ANGLE (S/P)

**MAH22PDAGW0 PUERTA**

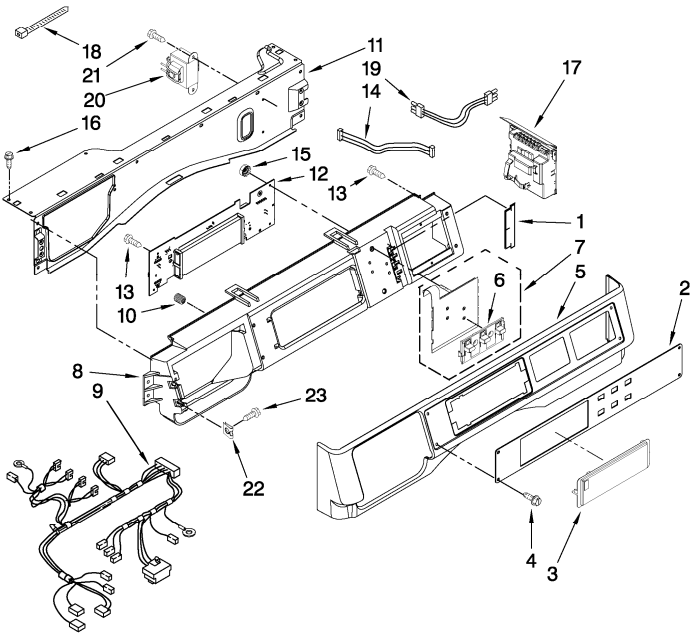




**MAH22PDAGW0 PUERTA**

1	W10130455	BELLOW (S/P)
2	8540108	CLAMP, BELLOW TO TUB (S/P)
3	W10196671	LOCK, DOOR (S/P)
4	8540725	SCREW (S/P)
5	W10111148	HOOK, DOOR (S/P)
6	W10117474	HANDLE, DOOR (INCLUDES ITEM 19) (S/P)
7	W10112914	TRIM RING, OUTER DOOR (S/P)
8	W10217563	CLAMP, BELLOW TO FRONT PANEL (S/P)
9	8540115	CLAMP, SUPPORT
10	W10281267	CLAMP, GLASS (3) (S/P)
11	8540513	SCREW (S/P)
12	W10245166	FRAME, DOOR FRONT ASSEMBLY (S/P)
13	W10112078	GLASS, DOOR (S/P)
14	W10138523	FRAME, DOOR BACK SUPPORT (S/P)
15	W10118967	HINGE, DOOR (S/P)
16	8540284	SCREW (S/P)
17	8540282	SCREW (S/P)
18	W10015090	SCREW (S/P)
19	W10112927	PAD, DOOR HANDLE (S/P)

**MAH2PDAGW0 TABLERO**

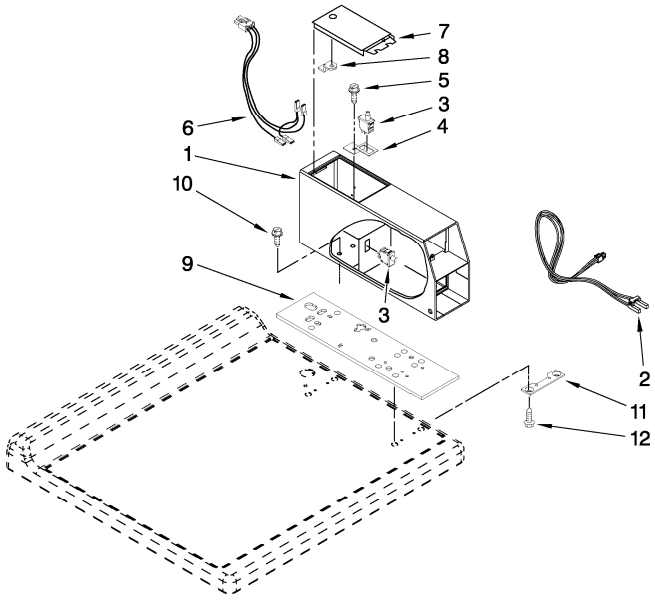




## MAH22PDAGW0 TABLERO

1	W10187276	SEAL, CONSOLE (S/P)
2	W10137436	FACIA / OVERLAY (S/P)
3	W10131114	COVER, DISPLAY (S/P)
4	W10137457	SCREW, 8-32 X 1/2 (S/P)
5	W10137458	CONSOLE, OUTER (S/P)
6	33002863	PUSH BUTTON (2)
7	W10135389	PUSH BUTTON & SWITCH ASSEMBLY (S/P)
8	W10137426	CONSOLE, INNER (S/P)
9	W10200768	HARNESS, WIRING (UPPER MAIN) (S/P)
10	W10189313	INSERT (S/P)
11	W10137396	BRACKET, CONSOLE (S/P)
12	W10166341	USER INTERFACE (S/P)
13	489136	SCREW, 3-24 X 3/8 (S/P)
14	W10155150	HARNESS, TEST (S/P)
15	W10139046	NUT 6-32 (S/P)
16	W10015090	SCREW, 8-18 X 5/8 (S/P)
17	W10202105	MICROCOMPUTER, MACHINE CONTROL (S/P)
18	3429563	CABLE TIE (S/P)
19	W10200791	HARNESS, WIRING (CONSOLE UIC) (S/P)
20	W10205520	TRANSFORMER 240 TO 22.5 VAC (S/P)
21	8540329	SCREW, 8-18 X 7/16 (S/P)
22	9781235	NUT, U-TYPE (2) (S/P)
23	W10131119	SCREW, 8-18 X 1/2 (S/P)

**MAH2PDAGW0 CAJA ACTUADOR DE TAPA**



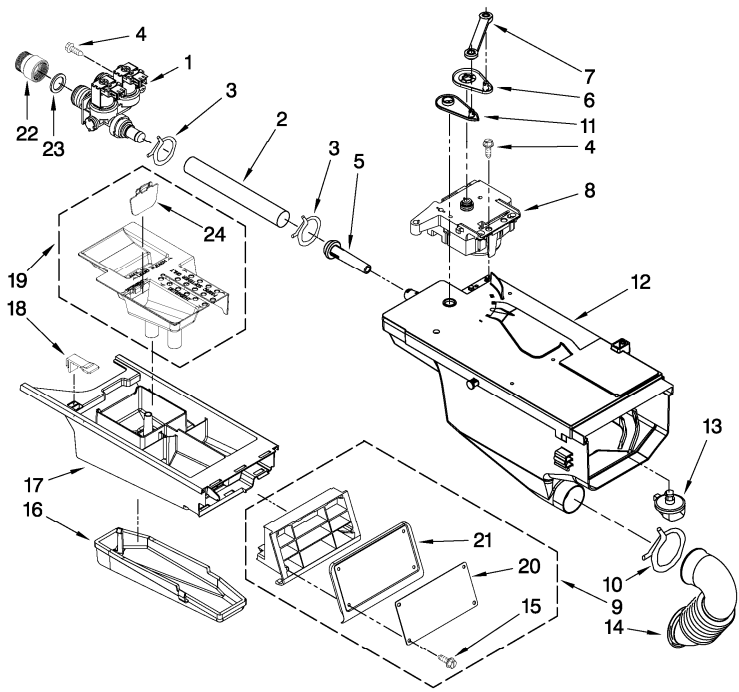




**MAH22PDAGW0 CAJA ACTUADOR DE TAPA**

1	W10171128	METER CASE (S/P)
2	W10247388	SENSOR ASSEMBLY, COIN OPTIC (BLACK) (S/P)
2	W10247389	SENSOR ASSEMBLY, COIN OPTIC (WHITE) (S/P)
3	W10131838	SWITCH - VAULT & SERVICE DOOR (S/P)
4	W10133508	BRACKET, SERVICE SWITCH (S/P)
5	W10139210	SCREW, 8-18 X 5/16 (S/P)
6	W10139456	WIRE HARNESS, SENSOR SWITCH (S/P)
7	3351136	SERVICE DOOR ASSEMBLY (S/P)
8	W10145154	CAM - LOCK (S/P)
9	W10137448	CUSHION, METER CASE (S/P)
10	3349065	SCREW, 5/16-24 X 1 (S/P)
11	3353813	PLATE, METER CASE MOUNTING (2) (S/P)
12	98445	SCREW, 10-16 X 3/4 (S/P)

**MAH22PDAGW0 DEPOSITO DETERGENTE**





**MAH22PDAGW0 DEPOSITO  
DETERGENTE**

1	W10184482	VALVE, INLET (S/P)
2	8540065	HOSE, VALVE TO DISPENSER (S/P)
3	596669	CLAMP, HOSE (S/P)
4	8540282	SCREW (S/P)
5	8183181	NOZZLE, INLET (S/P)
6	8540393	CAM, ACTUATOR (S/P)
7	8540394	LEVER, WATER DISTRIBUTION (S/P)
8	W10182763	ACTUATOR (S/P)
9	W10137428	HANDLE ASSEMBLY, DRAWER (S/P)
10	W10273032	CLAMP, HOSE (S/P)
11	8540395	CONNECTION, LEVER (S/P)
12	W10223702	DISPENSER (S/P)
13	8540053	NOZZLE, DISTRIBUTION (S/P)
14	8540063	HOSE, DISPENSER TO TUB
15	W10137456	SCREW, 8-18 X 1/2 (S/P)
16	8540399	COVER, DETERGENT DRAWER (S/P)
17	8540402	DRAWER, DETERGENT
18	W10137402	HOOK, DRAWER (S/P)
19	W10288162	SIPHON, BLEACH/SOFTENER (S/P)
20	W10137430	FACIA / OVERLAY, DRAWER
21	W10137460	COVER, HANDLE
22	W10196695	VALVE, CHECK (2) (INCLUDES ITEM 23) (S/P)
23	W10196695	SEAL, CHECK VALVE (2) (S/P)
24	W10276474	DOOR, LIVING HINGE (S/P)

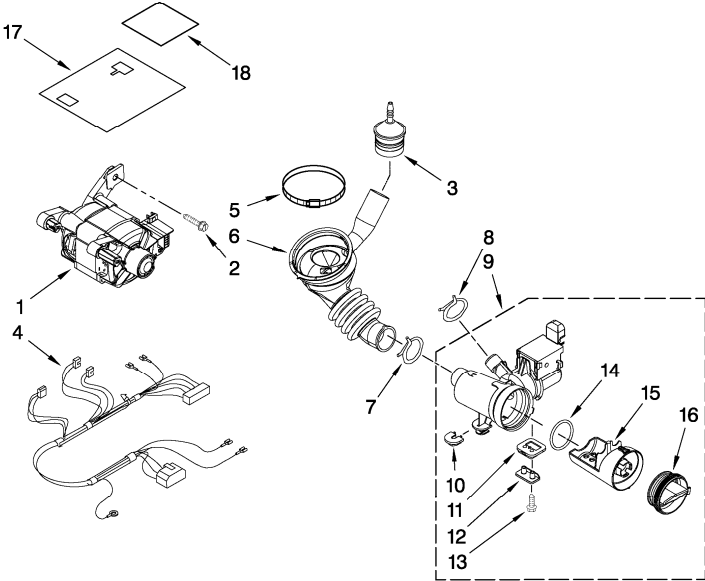




**MAH22PDAGW0 TAMBOR**

1	W10283361	NUT, PULLEY (S/P)
2	8540088C	PULLEY (S/P)
3	W10260319	BELT, DRIVE (S/P)
4	W10200297	COUNTERWEIGHT, FRONT LOWER (S/P)
5	W10142720	PIPE, VENTILATION (S/P)
6	W10273034	CLAMP, VENT HOSE (S/P)
7	8540019	HOSE, EXHAUST
8	W10293058	TUB, REAR (INCLUDES ITEMS 10 & 22) (S/P)
9	8540602	COUNTERWEIGHT, REAR (S/P)
10	W10111158	GASKET, TUB (S/P)
11	W10165321	BASKET, COMPLETE (S/P)
12	W10118982	BAFFLE, TUB (S/P)
13	W10142721	CONNECTOR - VENTILATION (S/P)
14	W10142722	FLAP - VENTILATION (S/P)
15	W10200296	COUNTERWEIGHT, FRONT UPPER (S/P)
16	280159	SPRING, SUSPENSION (S/P)
17	W10094780	BOLT, COUNTERWEIGHT MTG. (S/P)
18	W10273033	CLAMP, HOSE (S/P)
19	8540015	HOSE, EXHAUST
20	8540092	CLAMP, TUB (S/P)
21	W10277540	TUB, FRONT (INCLUDES ITEMS 10 & 22) (S/P)
22	8182512	NUT, PUSH-IN (S/P)
23	W10163171	SHOCK ABSORBER (3) (S/P)
24	8181705	NEGATIVE THERMISTOR CONTROL (S/P)
25	8540766	SEAL, RUBBER (S/P)
26	8540382	SCREW (S/P)
27	W10202464	CROSSPIECE ASSEMBLY (S/P)
28	W10182109	BOLT ASSEMBLY, COUNTERWEIGHT (S/P)

**MAH22PDAGW0 MOTOR**





## MAH22PDAGW0 MOTOR

1	W10140579	MOTOR, DRIVE (S/P)
2	8540134	BOLT, MOTOR (S/P)
3	8540180	AIR TRAP (S/P)
4	W10200759	HARNESS, MOTOR (S/P)
5	W10273037	CLAMP (S/P)
6	8540012	HOSE, TUB TO PUMP (S/P)
7	W10273036	CLAMP, HOSE (S/P)
8	356138	CLAMP, DRAIN HOSE (S/P)
9	W10183441	PUMP (COMPLETE) (S/P)
9	W10183442	PUMP MOTOR ONLY (NOT ILLUSTRATED) (S/P)
10	W10034820	FOOT, RUBBER (SLIDER) (S/P)
11	W10034830	FOOT, RUBBER (LOCK) (S/P)
12	8540033	CAP, LOCK FOOT (S/P)
13	W10167905	SCREW, 10-16 X 1.00 (2) (S/P)
14	8540025	SEAL, FILTER CAP (S/P)
15	8540996	FILTER (INCLUDES ITEMS 14 & 16) (S/P)
16	8540996	CAP, FILTER (INCLUDES ITEMS 14 & 15) (S/P)
17	W10275847	SHIELD, MOTOR (S/P)
18	2266495	COVER SHIELD TRAY (S/P)