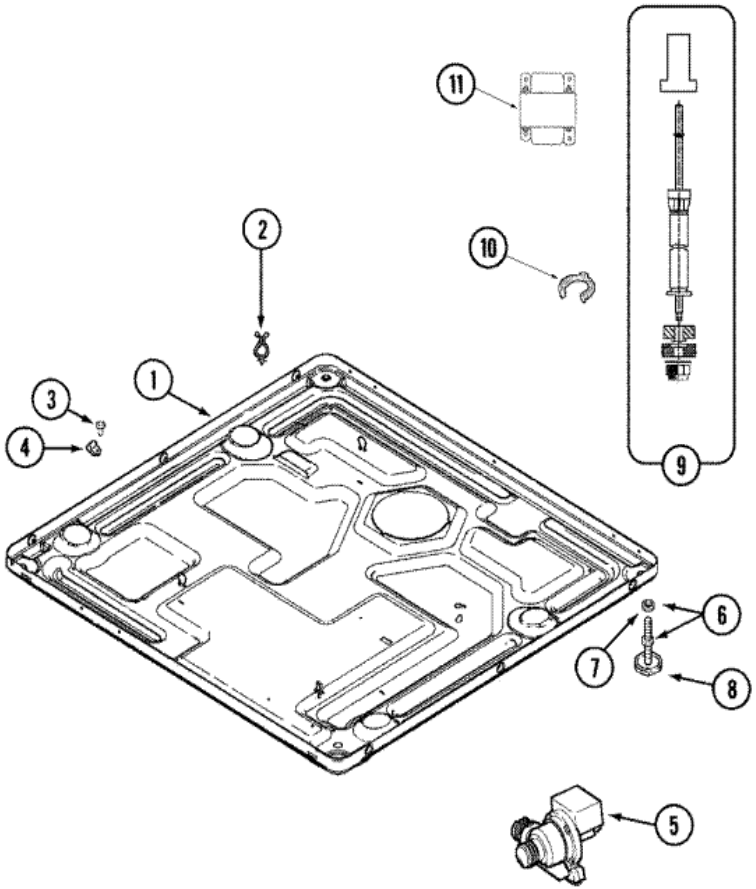


**MAH3000AWW BASE**





## MAH3000AWW BASE

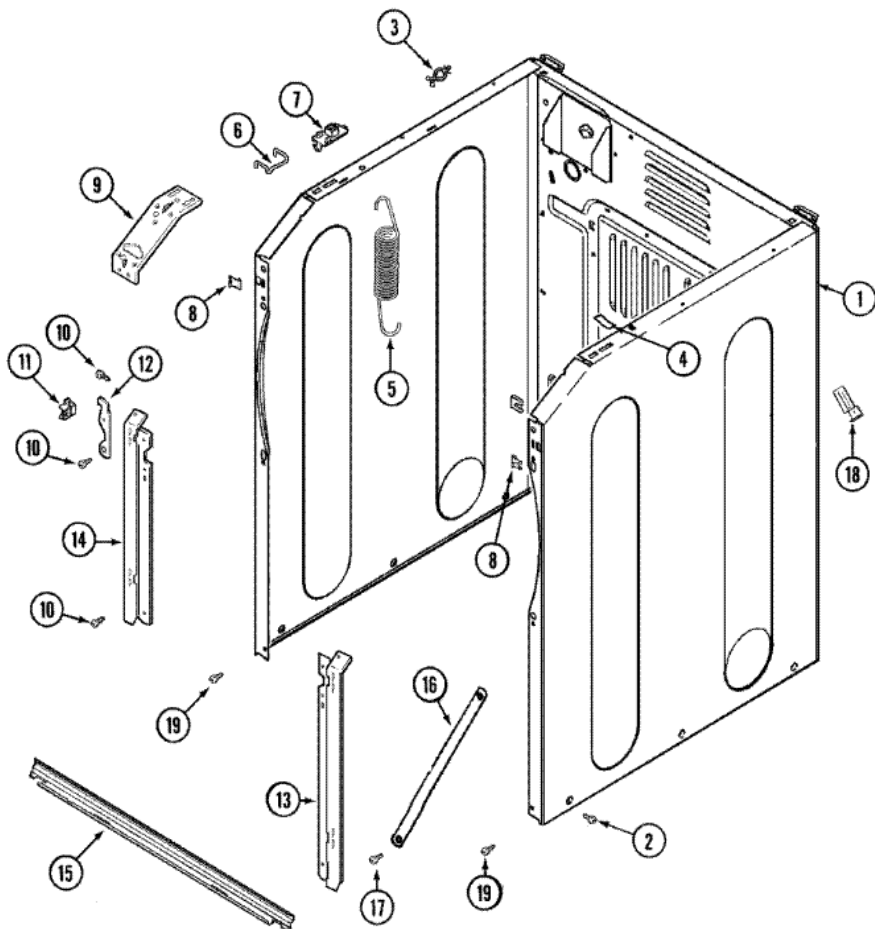
1	22003435	BASE <b>(S/P)</b>
2	22003298	RETAINER, WIRE <b>(S/P)</b>
3	212276	SCREW <b>(S/P)</b>
4	22002014	CLIP <b>(S/P)</b>
5	25001012	PUMP ISOLATOR BRACKET <b>(S/P)</b>
5	22003059	PUMP
6	22003544	ADJUSTABLE LEG & NUT
7	Y052740	NUT <b>(S/P)</b>
8	210684	FOOT, RUBBER
9	22002322	ISOLATOR, STRUT (UPR) <b>(S/P)</b>
9	22001988	STRUT ASSY-REAR
10	22003080	CLIP, AIRDOME HOSE <b>(S/P)</b>
11	22002307	SWITCH, STRUT DISPLACEMENT <b>(S/P)</b>

Distribuidor Autorizado

**SurteRápido.com**

Venta de Refacciones  
Electrodomesticas

## MAH3000AWW GABINETE





## MAH3000AWW GABINETE

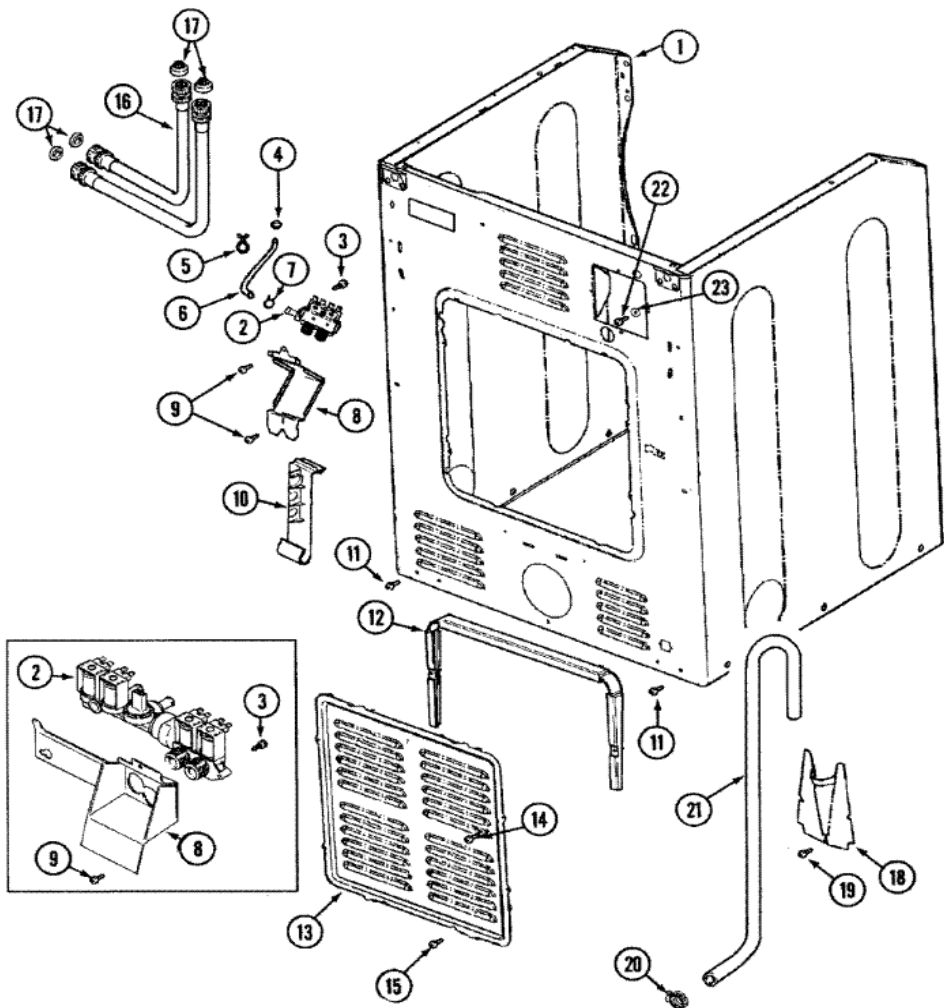
1	22003639	<b>DESCONTINUADO</b>
1	22003511	INSULATION, CABINET (S/P)
2	22002013	STOP, SHIPPING (S/P)
2	33001827	BRACKET, CABINET HINGE (S/P)
3	22003298	RETAINER, WIRE (S/P)
4	33001836	STRAP, TOP COVER SUPPORT (S/P)
5	22002100	SPRING (S/P)
6	22002297	SUPPORT, SPRING (S/P)
7	22001997	SPACER, TOP COVER (S/P)
8	22002049	CLIP (S/P)
9	22002090	BRACE, CORNER (S/P)
9	22002292	BRACE, CORNER (LT) (S/P)
10	22001995	SCREW (S/P)
11	22002001	SUPPORT, HINGE (S/P)
12	33002597	HOOK, SECURITY (S/P)
13	22003224	BRACKET, SHROUD SUPPORT (RT) (S/P)
14	22002985	BRACKET, SHROUD SUPPORT (LT) (S/P)
15	22001993	BRIDGE, SHROUD SUPPORT (S/P)
16	22002767	BRACE, CROSS (S/P)
17	22001995	SCREW (S/P)
18	22001996	SCREW (S/P)
18	22002178	BRACKET, WATER SWITCH (S/P)
19	22001995	SCREW (S/P)
20	213007	SCREW, CABINET (S/P)

Distribuidor Autorizado

**SurteRápido.com**

Venta de Refacciones  
Electrodomesticas

# MAH3000AWW GABINETE

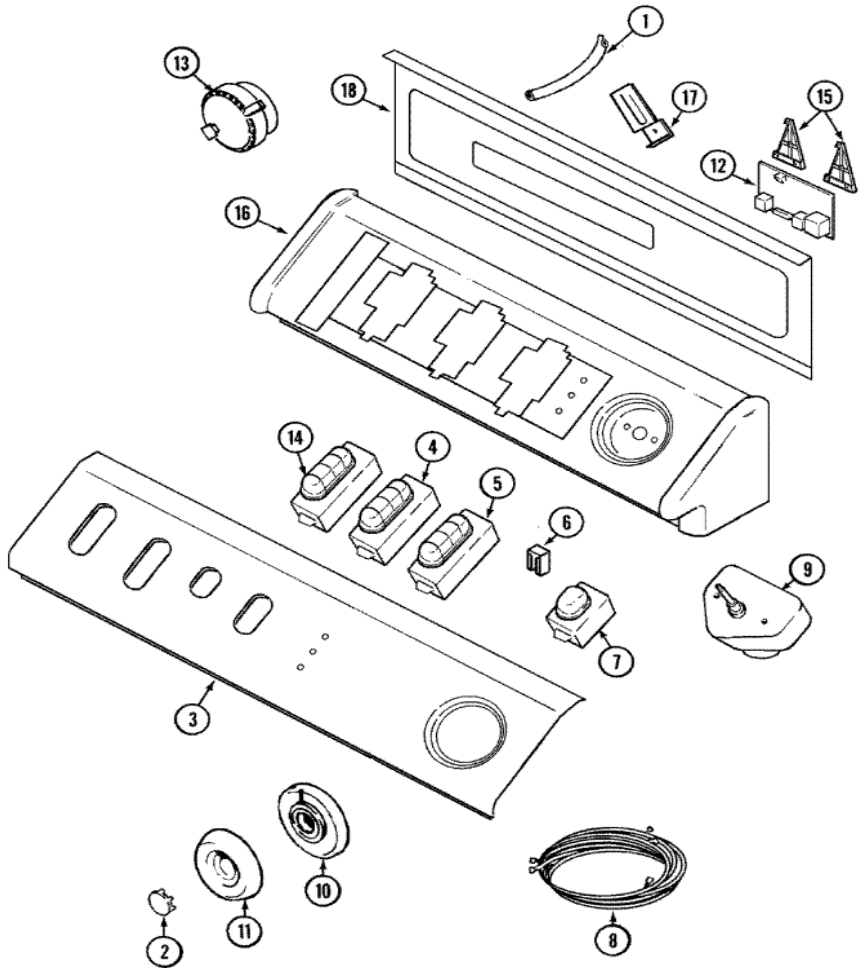




## MAH3000AWW GABINETE

1	22003639	<b>DESCONTINUADO</b>
1	22002444	LABEL, ENERGY (S/P)
1	22002445	LABEL, SAFETY (S/P)
2	22002558	VALVE, WATER
2	22002294	VALVE, WATER (S/P)
2	205161	CLAMP - 15/16`` (S/P)
3	Y313561	<b>DESCONTINUADO</b>
3	22002436	SCREW (S/P)
4	22002054	CLAMP, STEPLESS (S/P)
5	22002027	WIRE TIE, TWIST LOCK (S/P)
6	22002296	HOSE, INJECTOR (S/P)
6	22002179	TIE, CABLE (S/P)
7	216169	CLAMP, HOSE-INJEC.HOSE TO VALVE (S/P)
8	33002212	BRACKET, WATER VALVE (S/P)
8	22002572	BRACKET, WATER VALVE (S/P)
9	22001996	SCREW (S/P)
10	33002213	STRAP, DRAIN HOSE (S/P)
11	22001995	SCREW (S/P)
12	22002022	SPACER, ACCESS PANEL (S/P)
13	22002092	PANEL, ACCESS (S/P)
14	22002295	SCREW (S/P)
15	22001996	SCREW (S/P)
16	22002960	STRAINER (S/P)
16	202860	INLET HOSE ASSY. (S/P)
17	Y013783	GASKET, INLET HOSE (S/P)
18	22002704	COVER, DRAIN HOSE (S/P)
19	22001995	SCREW (S/P)
20	22001984	CLAMP, DRAIN HOSE (S/P)
21	22002085	<b>DESCONTINUADO</b>

**MAH3000AWW TABLERO**





**MAH3000AWW TABLERO**

1	22002010	HOSE, AIR DOME
2	22001664	TIMER KNOB INSERT/CAP (WHT)
3	22002275	<b>DESCONTINUADO</b>
4	22002268	SWITCH, 4 POSITION (WHT) <b>(S/P)</b>
4	22001788	BUTTON, SWITCH (WHT-END) <b>(S/P)</b>
5	22001789	BUTTON, SWITCH (WHT-MDL) <b>(S/P)</b>
5	22002874	SWITCH, OPTIONS (WHT) <b>(S/P)</b>
6	22002281	INDICATOR LIGHT (ON LIGHT) <b>(S/P)</b>
6	903115	LOCK LIGHT <b>(S/P)</b>
7	22002560	SWITCH, PUSH TO START (WHT)
8	22002280	WIRE HARNESS, MAIN <b>(S/P)</b>
8	22002405	WIRE HARNESS, MAIN <b>(S/P)</b>
8	22002643	WIRE HARNESS, MAIN <b>(S/P)</b>
8	22002335	WIRE HARNESS, MAIN <b>(S/P)</b>
8	22002472	WIRE HARNESS, MAIN <b>(S/P)</b>
9	22002441	TIMER
10	22002282	BEZEL, TIMER DIAL (WHT)
11	22001659	TIMER KNOB – GREY
12	912077	LOCKNUT <b>(S/P)</b>
12	12001725	BOARD, MACHINE CONTROL
12	22002988	BOARD, CONTROL
13	22002994	SWITCH, PRESSURE
14	22002270	SWITCH, FABRIC (WHT) <b>(S/P)</b>
14	22001789	BUTTON, SWITCH (WHT-MDL) <b>(S/P)</b>
14	22001788	BUTTON, SWITCH (WHT-END) <b>(S/P)</b>
15	22002284	BRACKET <b>(S/P)</b>
16	22001948	LENS, INDICATOR LIGHT <b>(S/P)</b>
16	27001110	CONSOLE (WHT) <b>(S/P)</b>
17	22002178	BRACKET, WATER SWITCH <b>(S/P)</b>
18	22002529	BACK, CONSOLE PANEL <b>(S/P)</b>

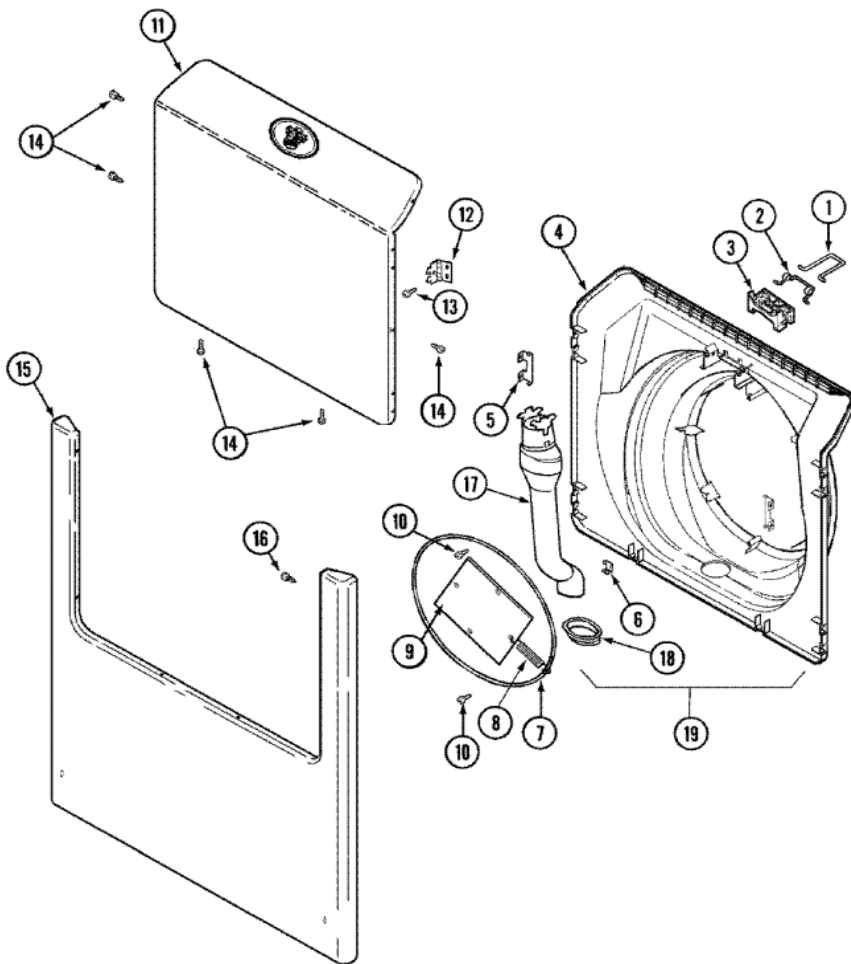


Distribuidor Autorizado

SurteRápido.com

Venta de Refacciones  
Electrodomesticas

# MAH3000AWW PUERTA





## MAH3000AWW PUERTA

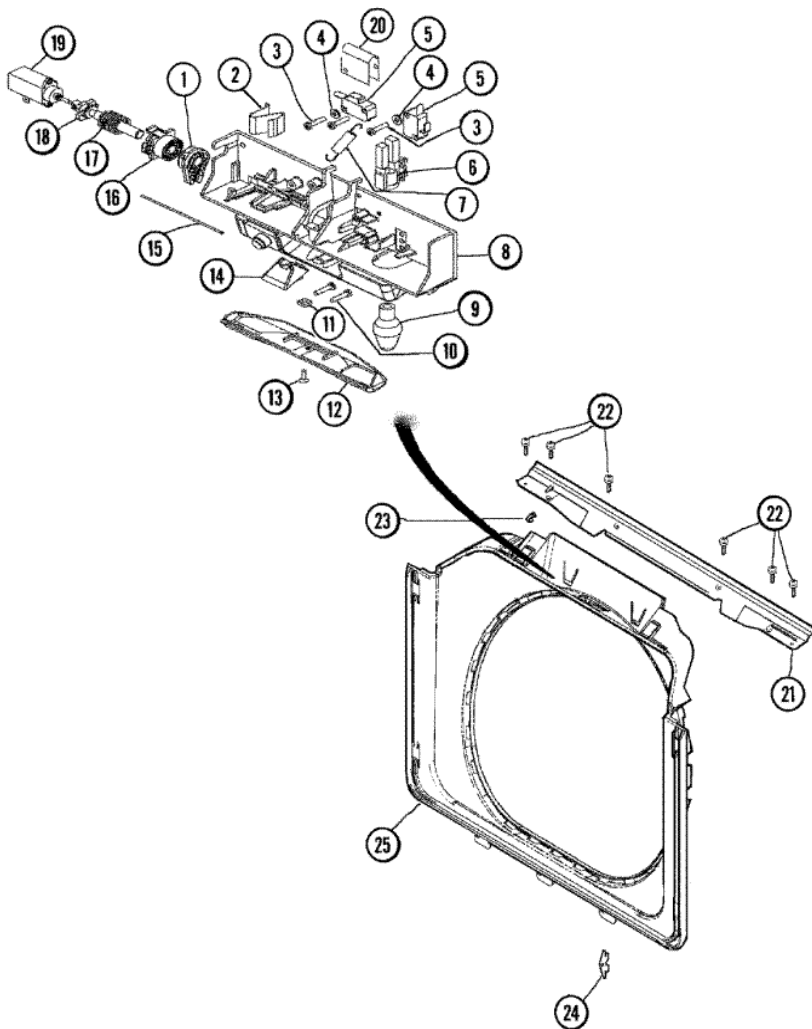
1	22003222	HOOP, LOCK (S/P)
2	22002003	SPRING, LATCH (S/P)
3	22002168	SUPPORT, LOCK HOOP (S/P)
4	22003083	DOOR, INNER (WHT) (S/P)
5	22002038	CLIP, DOOR (DOUBLE) (S/P)
6	22002039	CLIP, DOOR (SINGLE) (S/P)
7	22002104	WIREFRAME (S/P)
8	22002356	SPRING, PLATE (S/P)
9	22002094	PLATE (S/P)
10	22002007	SCREW (S/P)
11	22002260	PANEL, DOOR (WHT-W/MEDALLION) (S/P)
11	22001817	SHEET, SOUND DAMPER (FT. PNL) (S/P)
12	22002798	HINGE, DOOR (S/P)
12	12001994	COVER, HINGE (WHT) (S/P)
13	22002062	SCREW (S/P)
14	22002063	SCREW NO.8-18AB WAFER HD (S/P)
15	22002239	CLIP, LOWER FRONT PANEL (S/P)
15	22001995	SCREW (S/P)
15	22002836	PANEL, FRONT (WHT) (S/P)
15	22003512	INSULATION, FRONT PANEL (S/P)
16	22002012	SCREW, HINGE (S/P)
16	22002244	CLIP, GROUNDING (S/P)
17	22003850	VENT TUBE ASSEMBLY (S/P)
18	22003075	GROMMET, VENT TUBE (S/P)
19	22003083	LINER, DOOR ASSY W/VENT (WHT) (S/P)

Distribuidor Autorizado

SurteRápido.com

Venta de Refacciones  
Electrodomesticas

## MAH3000AWW ENSAMBLE PUERTA





## MAH3000AWW ENSAMBLE PUERTA

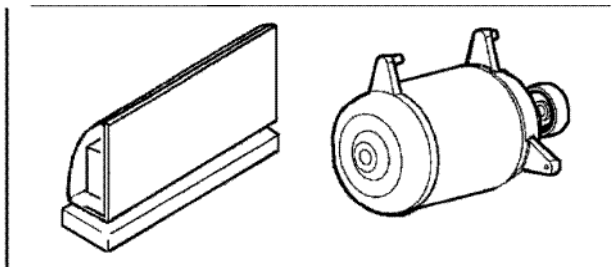
1	22003716	ROTATING GEAR, LATCH (S/P)
3	22001352	SCREW, CHECK SWITCH (S/P)
4	22002165	WASHER, DOOR LOCK SWITCH (S/P)
5	22002162	SWITCH, DOOR LOCK SPIN ENABLE (S/P)
6	22002433	BULB HOLDER ASSEMBLY (S/P)
7	22002158	SPRING, GEAR RETURN
8	22003067	SWITCH HOLDER ASSEMBLY (S/P)
9	22002263	LAMP (10 WATT) (S/P)
10	22003719	SCREW, LATCH (S/P)
11	22003720	NUT, LATCH
12	22002434	COVER, BULB (S/P)
13	22002435	SCREW (S/P)
14	22003055	RAMP, DOOR HOOP (S/P)
15	22002164	CABLE, DOOR (S/P)
16	22003715	SLIDING GEAR, LATCH (S/P)
17	22003721	SPRING, AXLE / LATCH (S/P)
18	22003718	AXLE, LATCH (S/P)
19	902899	MOTOR, WAX
20	22004256	SHIELD (S/P)
21	22002015	SUPPORT, DOOR LOCK (S/P)
22	22001995	SCREW (S/P)
23	22002014	CLIP (S/P)
24	12001994	COVER, HINGE (WHT) (S/P)
25	22002234	SHROUD, PLASTIC (WHT) (S/P)

Distribuidor Autorizado









SurteRápido.com

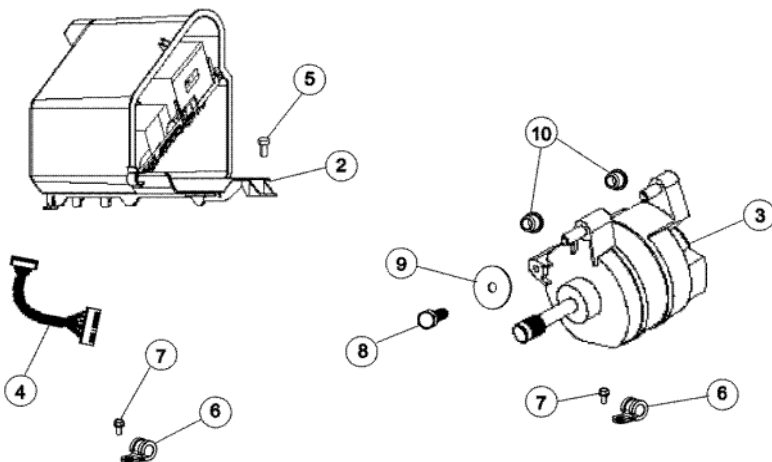
Venta de Refacciones  
Electrodomesticas

# MAH3000AWW MOTOR



1

 22002049 Motor Wires	 22004046 Motor Electrical Board	 02004047 Motor Harness	 22003854 AC Line Plug	 22004102 Cap (2)	 22002980 Screw - Cap to Motor	 32004101 Wire Harness	 32004103 Ground Screw
--	---	--	---	--	---	---	---





## MAH3000AWW MOTOR

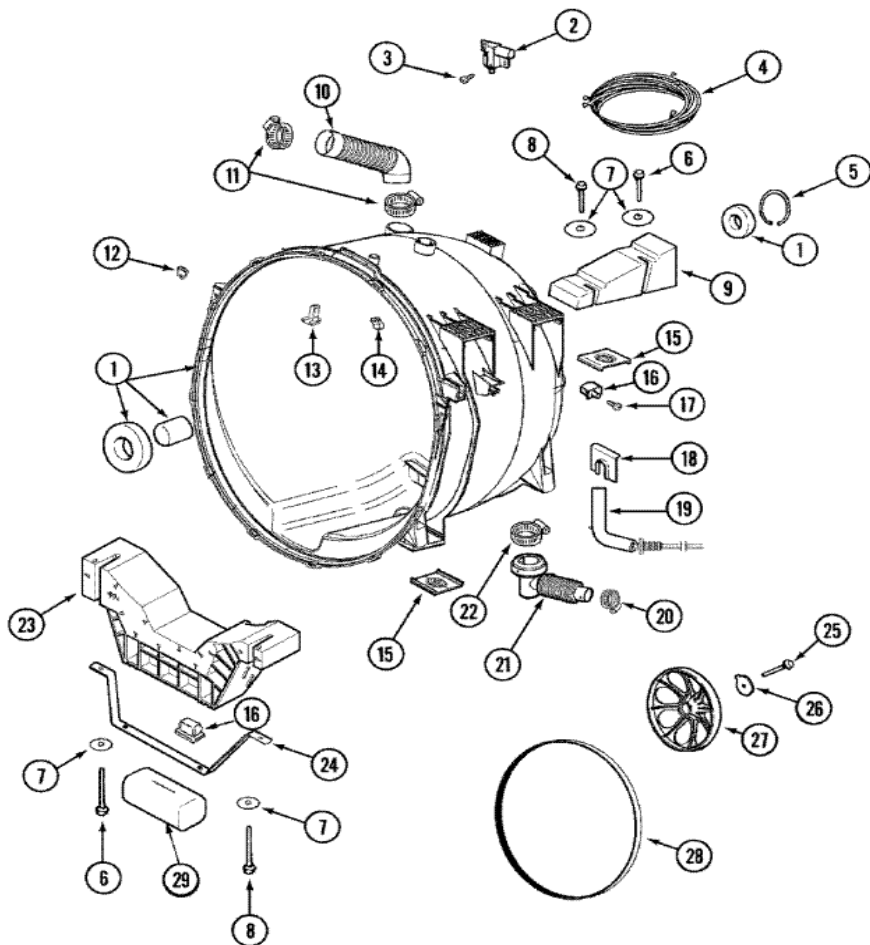
1	12002039	NEPTUNE MOTOR CONVERSION KIT
2	12002039	NEPTUNE MOTOR CONVERSION KIT
2	22004046	CONTROL ASSY., MOTOR
3	22003856	MOTOR, VARIABLE SPEED
3	12002039	MOTOR, (156 T) 60HZ 120V
4	22002471	WIRE HARNESS, MOTOR CONTROL <b>(S/P)</b>
4	22004212	HARNESS, MOTOR/MOTOR CONTROL <b>(S/P)</b>
5	212276	SCREW <b>(S/P)</b>
6	22002014	CLIP, WIRE HARNESS <b>(S/P)</b>
7	Y310632	SCREW <b>(S/P)</b>
8	22003599	BOLT, MOTOR <b>(S/P)</b>
9	22002320	ADJUSTER, BELT TENSION <b>(S/P)</b>
10	22003329	ISOLATOR, MOTOR <b>(S/P)</b>

Distribuidor Autorizado

SurteRápido.com

Venta de Refacciones  
Electrodomesticas

MAH3000AWW TINA





## MAH3000AWW TINA

1	22004465	TUB ASSY. (OUTER) (S/P)
2	22003302	SWITCH, INERTIAL - UNBALANCE (S/P)
4	12001798	HARNESS, WIRE (S/P)
5	22001981	RING, RETAINING (S/P)
6	22003615	BOLT (S/P)
7	22002067	<b>DESCONTINUADO</b>
8	22003616	BOLT (S/P)
9	22002102	WEIGHT, COUNTER BALANCE (S/P)
10	22002083	HOSE, INJECTOR
11	22002052	CLAMP, INJECTOR HOSE (S/P)
12	22002103	CLIP, U (S/P)
13	22004310	DEFLECTOR, WATER (S/P)
14	22002583	WIRE WRAP (S/P)
14	22002006	CLIP (S/P)
15	22002065	NUT, COUNTER BALANCE (S/P)
16	22002044	SWITCH, TUB DISPLACEMENT (S/P)
17	22002061	SCREW (S/P)
18	22002051	<b>DESCONTINUADO</b>
19	22002010	HOSE, AIR DOME
19	22002345	<b>DESCONTINUADO</b>
20	22001984	CLAMP, DRAIN HOSE (S/P)
21	22003262	HOSE, TUB OUTLET
22	22002053	CLAMP, SUMP HOSE (S/P)
23	22002579	FRONT WEIGHT BRACKET (S/P)
24	22002008	<b>DESCONTINUADO</b>
25	22002057	SCREW, SPINNER (S/P)
26	22003936	WASHER, SPINNER SHAFT (S/P)
27	22002315	PULLEY, SPINNER
28	12001788	BELT, DRIVE
29	22003225	CUSHION (S/P)

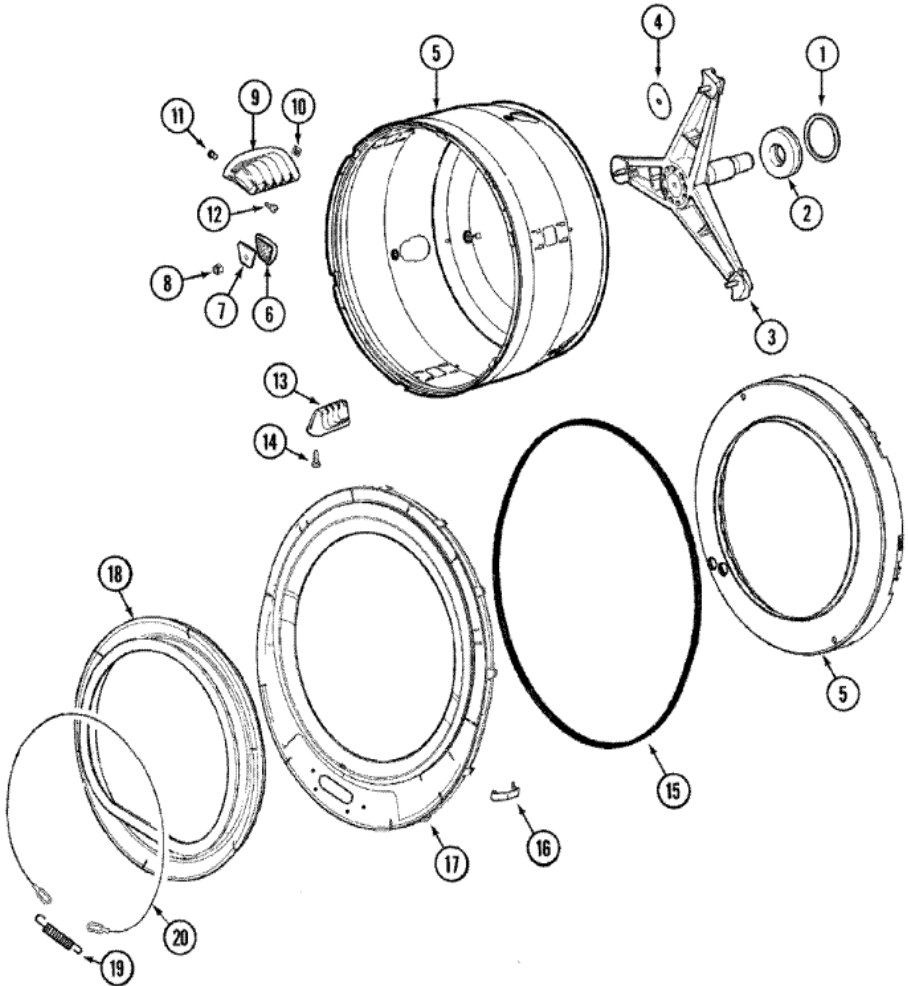


Distribuidor Autorizado

SurteRápido.com

Venta de Refacciones  
Electrodomesticas

## MAH3000AWW SOPORTE TINA

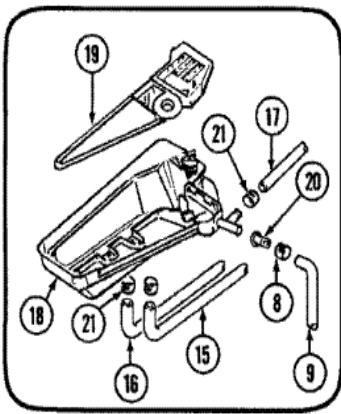
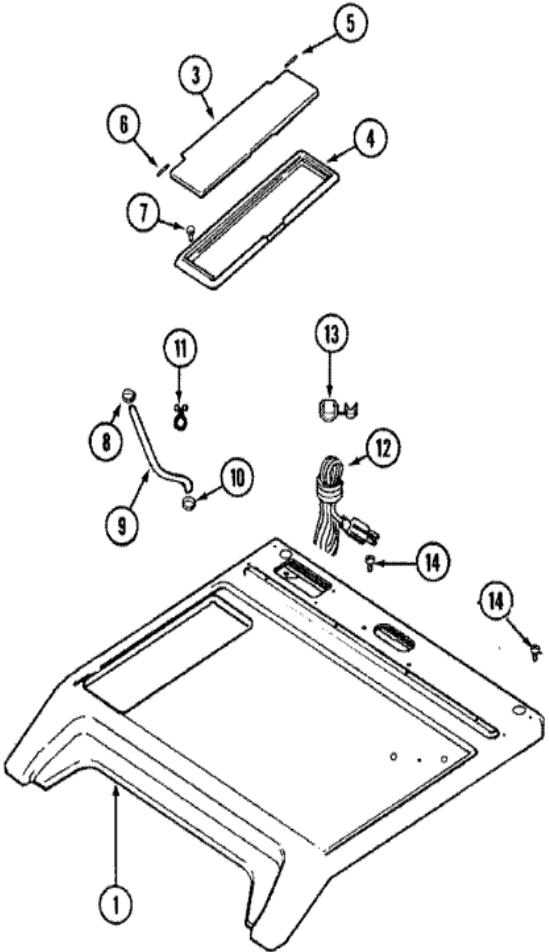
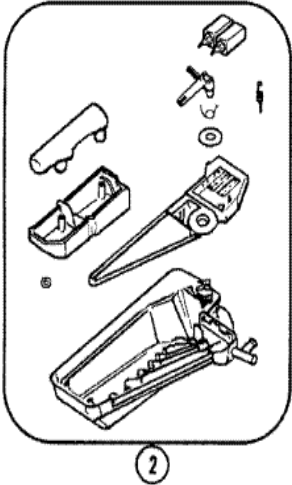




## MAH3000AWW SOPORTE TINA

2	12002022	LIP SEAL SVC ASSY.
3	22002123	TUBE, MOLYKOTE (S/P)
3	22002897	SUPPORT ASSY., SPINNER
4	22002023	WASHER, PLASTIC (S/P)
5	22003670	SPINNER ASSY. (W/BALANCE RING)
6	22002482	WASHER, PROFILE (S/P)
7	22002020	WASHER, SPINNER SUPPORT (S/P)
8	2207454	NUT, SPINNER ATTACHMENT (S/P)
9	22001985	BAFFLE, DRIP (REAR) (S/P)
10	22002009	GROMMET, BAFFLE (REAR) (S/P)
11	22001999	GROMMET, BAFFLE (FRT) (S/P)
12	22002325	SCREW (S/P)
13	22001986	BAFFLE, DRIP (FRONT) (S/P)
14	22002059	SCREW (S/P)
15	22002077	SEAL, TUB COVER (S/P)
16	22002050	CLIP, TUB TO COVER (S/P)
17	22003212	COVER, TUB (W/SEAL)
18	12002533	KIT, DOOR BOOT W/DRAIN
18	22004477	DOOR BOOT DRAIN HOSE
18	22003073	CLAMP, HOSE DOUBLE WIRE (S/P)
18	22003072	CLAMP, HOSE DOUBLE WIRE (S/P)
18	22003074	GUARD, HOSE (S/P)
19	22002099	SPRING, TUB (S/P)
20	22002327	WIRE, BOOT CLAMP (S/P)

**MAH3000AWW TAPA**





## MAH3000AWW TAPA

1	22002116	COVER, TOP (WHT) <b>(S/P)</b>
2	22002265	CUP, SIPHON
2	22002309	<b>DESCONTINUADO</b>
2	W10124350	NOT REQUIRED PART OR SEE NOTE <b>(S/P)</b>
2	22002266	CAP, SIPHON <b>(S/P)</b>
2	22003462	DISPENSER ASSEMBLY (COMPLETE)
3	22004481	LID, DISPENSER (WHT)
4	22002290	BEZEL, DISPENSER (WHT)
5	Y912678	PIN, HINGE (LONG) <b>(S/P)</b>
6	Y912679	PIN, HINGE (SHORT) <b>(S/P)</b>
7	22002060	SCREW, BEZEL <b>(S/P)</b>
8	285655	CLAMP, STEPLESS <b>(S/P)</b>
8	489503	CLAMP, SHOWER HOSE <b>(S/P)</b>
9	22002084	HOSE, SHOWER <b>(S/P)</b>
9	22002556	HOSE, SHOWER <b>(S/P)</b>
10	285655	CLAMP, HOSE (TUB OUTLET) <b>(S/P)</b>
11	212276	SCREW <b>(S/P)</b>
11	74007164	WIRE TIE, TWIST LOCK <b>(S/P)</b>
12	22003062	CORD, POWER <b>(S/P)</b>
13	211881	GROMMET, CORD <b>(S/P)</b>
14	912365	SCREW <b>(S/P)</b>
15	22002551	HOSE, BLEACH <b>(S/P)</b>
16	22002552	<b>DESCONTINUADO</b>
17	22002553	HOSE, DETERGENT <b>(S/P)</b>
18	12001558	DISPENSER BOTTOM <b>(S/P)</b>
19	22002555	FLUME, DISPENSER <b>(S/P)</b>
20	22001900	PREVENTER, BACK FLOW <b>(S/P)</b>
21	205161	CLAMP - 15/16`` <b>(S/P)</b>