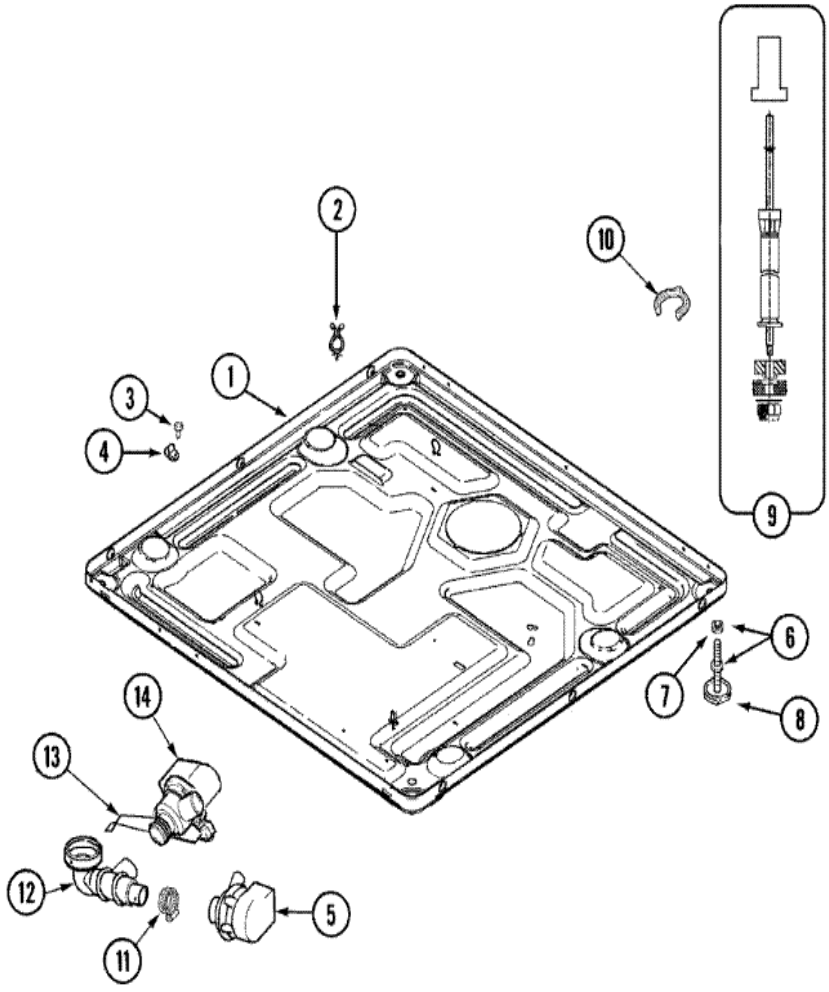


**MAH4000AWQ BASE**





## MAH4000AWQ BASE

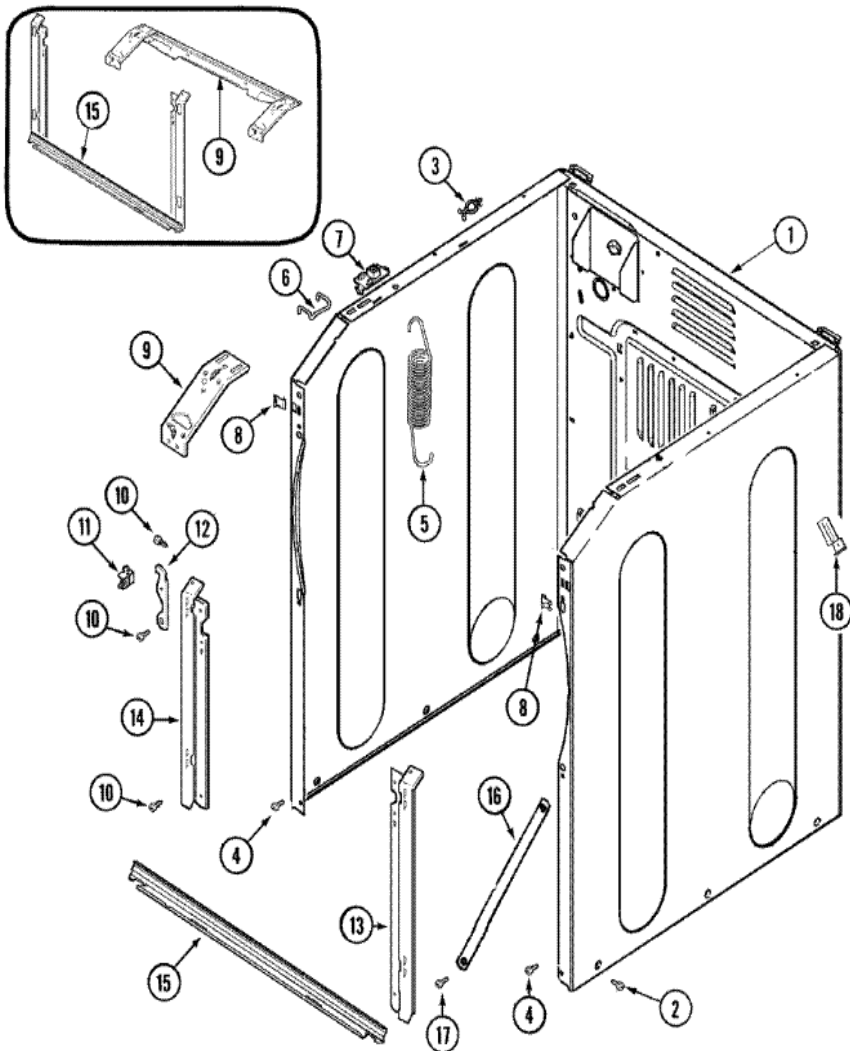
|    |          |                                       |
|----|----------|---------------------------------------|
| 1  | 22003605 | BASE WELD ASSEMBLY <b>(S/P)</b>       |
| 1  | 22003435 | BASE <b>(S/P)</b>                     |
| 2  | 22003298 | RETAINER, WIRE <b>(S/P)</b>           |
| 3  | 212276   | SCREW <b>(S/P)</b>                    |
| 4  | 22002014 | CLIP <b>(S/P)</b>                     |
| 5  | 22003059 | PUMP, DRAIN (80 WATT)                 |
| 5  | 25001012 | PUMP ISOLATOR BRACKET <b>(S/P)</b>    |
| 6  | 22003544 | ADJUSTABLE LEG & NUT                  |
| 7  | Y052740  | NUT <b>(S/P)</b>                      |
| 8  | 210684   | FOOT, RUBBER                          |
| 9  | 22001988 | STRUT ASSY-REAR                       |
| 10 | 22003080 | CLIP, AIRDOME HOSE <b>(S/P)</b>       |
| 11 | 202515   | HOSE CLAMP - 1-1/16 INCH <b>(S/P)</b> |
| 12 | 22002793 | HOSE, OUTLET W/FILTER (6 1/2")        |
| 12 | 22002958 | HOSE, OUTLET (TUB)                    |
| 13 | 22002790 | PUMP MOUNT <b>(S/P)</b>               |
| 14 | 202515   | HOSE CLAMP - 1-1/16 INCH <b>(S/P)</b> |
| 14 | 22002792 | PUMP, RECIRC                          |

Distribuidor Autorizado

**SurteRápido.com**

Venta de Refacciones  
Electrodomesticas

## MAH4000AWQ GABINETE





**MAH4000AWQ GABINETE**

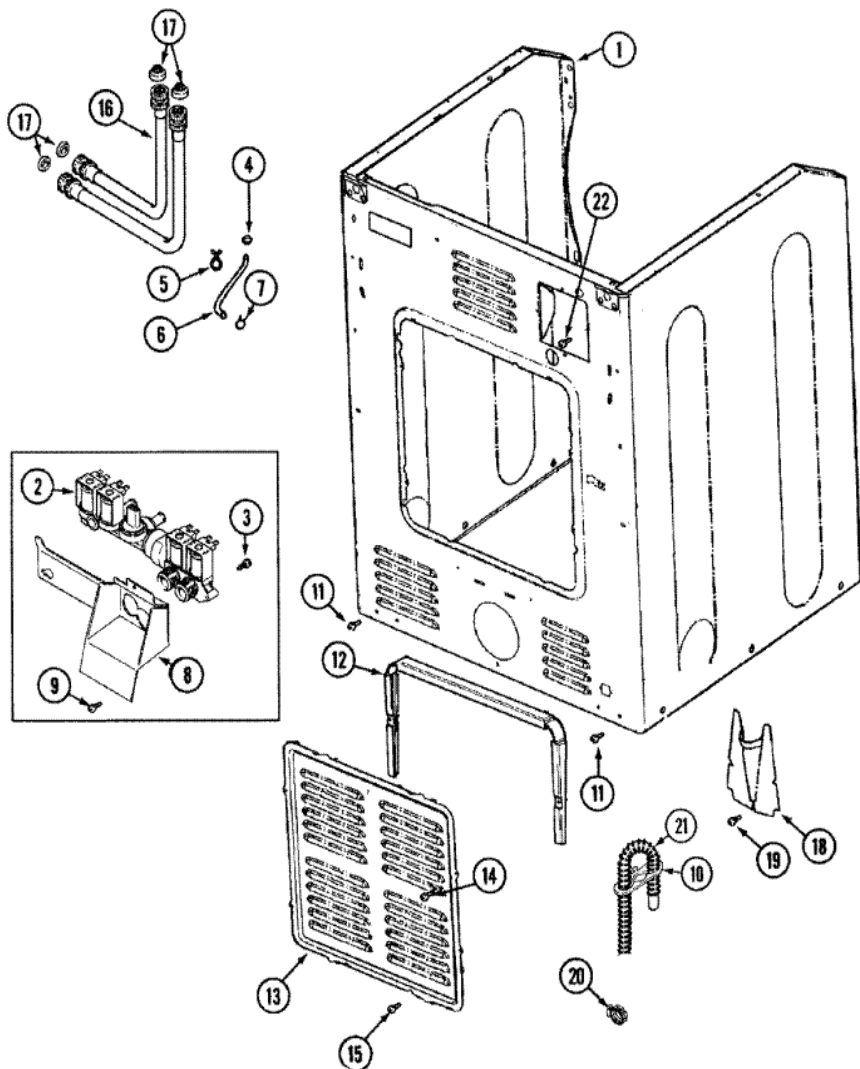
|    |          |                                    |
|----|----------|------------------------------------|
| 1  | 33001836 | STRAP, TOP COVER SUPPORT (S/P)     |
| 1  | 22003640 | CABINET ASSY. (BSQ) (S/P)          |
| 1  | 22003582 | CABINET, ASSY. (WHT-AS PK) (S/P)   |
| 1  | 22003583 | CABINET, ASSY. (BSQ-AS PK) (S/P)   |
| 1  | 22003640 | CABINET ASSY. (BISQUE AS PK) (S/P) |
| 1  | 22003511 | INSULATION, CABINET (S/P)          |
| 2  | 22002013 | STOP, SHIPPING (S/P)               |
| 2  | 213007   | SCREW, CABINET (S/P)               |
| 3  | 22003298 | RETAINER, WIRE (S/P)               |
| 4  | 22001995 | SCREW (S/P)                        |
| 5  | 22002100 | SPRING (S/P)                       |
| 6  | 22002297 | SUPPORT, SPRING (S/P)              |
| 7  | 22001997 | SPACER, TOP COVER (S/P)            |
| 8  | 22002049 | CLIP (S/P)                         |
| 9  | 22003637 | BRACE ASSEMBLY, TOP CROSS (S/P)    |
| 9  | 22002090 | BRACE, CORNER (S/P)                |
| 9  | 22002292 | BRACE, CORNER (LT) (S/P)           |
| 10 | 22001995 | SCREW (S/P)                        |
| 11 | 22002001 | SUPPORT, HINGE (S/P)               |
| 12 | 33002597 | HOOK, SECURITY (S/P)               |
| 13 | 22003224 | BRACKET, SHROUD SUPPORT (RT) (S/P) |
| 14 | 22002985 | BRACKET, SHROUD (LT) (S/P)         |
| 15 | 22003652 | SHROUD SUPPORT ASSEMBLY (S/P)      |
| 15 | 22001993 | BRIDGE, SHROUD SUPPORT (S/P)       |
| 16 | 22002767 | BRACE, CROSS (S/P)                 |
| 17 | 22001995 | SCREW (S/P)                        |
| 18 | 22001996 | SCREW (S/P)                        |
| 18 | 22002178 | BRACKET, WATER SWITCH (S/P)        |

Distribuidor Autorizado

SurteRápido.com

Venta de Refacciones  
Electrodomesticas

# MAH4000AWQ GABINETE

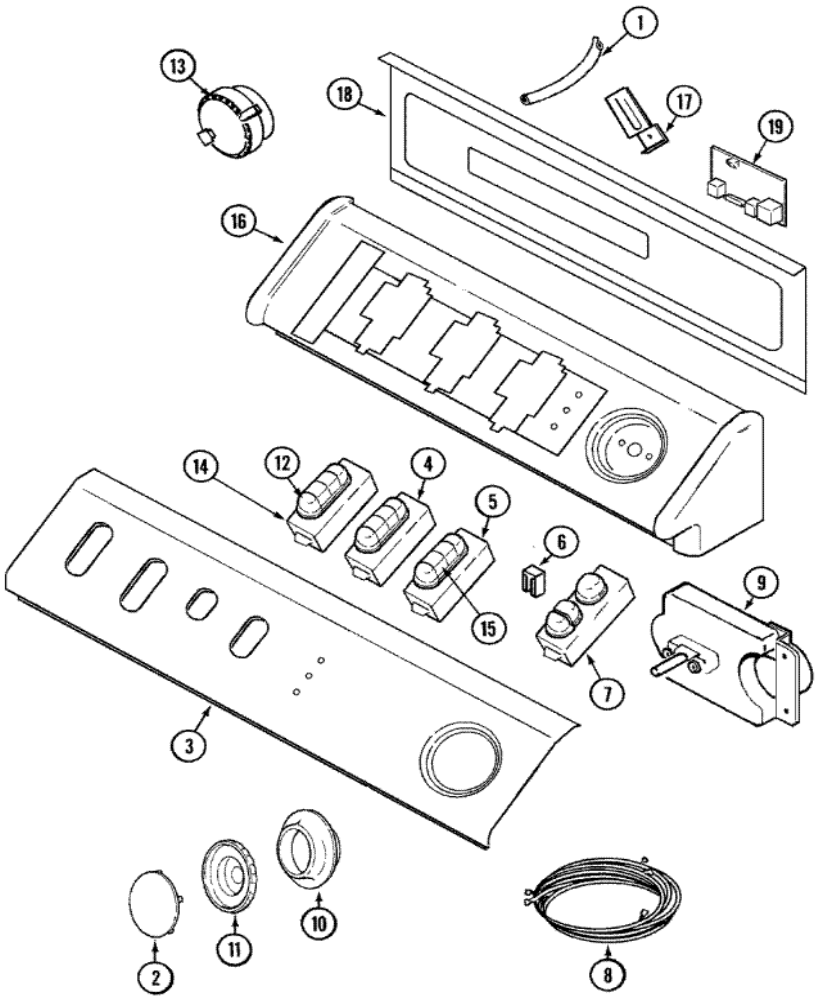




**MAH4000AWQ GABINETE**

|    |          |                                       |
|----|----------|---------------------------------------|
| 1  | 22003640 | CABINET ASSY. (BSQ) (S/P)             |
| 1  | 22002444 | LABEL, ENERGY (S/P)                   |
| 1  | 22002445 | LABEL, SAFETY (S/P)                   |
| 2  | 22002795 | VALVE, WATER (S/P)                    |
| 2  | 205161   | CLAMP - 15/16`` (S/P)                 |
| 3  | 22002436 | SCREW (S/P)                           |
| 4  | 22002054 | CLAMP, STEPLESS (S/P)                 |
| 5  | 74007164 | WIRE TIE, TWIST LOCK (S/P)            |
| 6  | 22002296 | HOSE, INJECTOR (S/P)                  |
| 6  | 8539404  | TIE, CABLE (S/P)                      |
| 7  | 216169   | CLAMP, HOSE-INJEC.HOSE TO VALVE (S/P) |
| 8  | 33002212 | BRACKET, WATER VALVE (S/P)            |
| 9  | 22001996 | SCREW (S/P)                           |
| 10 | 33002213 | STRAP, DRAIN HOSE (S/P)               |
| 11 | 22001995 | SCREW (S/P)                           |
| 12 | 22002022 | SPACER, ACCESS PANEL (S/P)            |
| 13 | 22002092 | PANEL, ACCESS (S/P)                   |
| 14 | 22002295 | SCREW (S/P)                           |
| 15 | 22001996 | SCREW (S/P)                           |
| 16 | 22002960 | STRAINER (S/P)                        |
| 16 | 202860   | INLET HOSE ASSY. (S/P)                |
| 17 | Y013783  | GASKET, INLET HOSE (S/P)              |
| 18 | 22002704 | COVER, DRAIN HOSE (S/P)               |
| 19 | 22001995 | SCREW (S/P)                           |
| 20 | 22001984 | CLAMP, DRAIN HOSE (S/P)               |
| 21 | 22002932 | CLIP, DRAIN HOSE (S/P)                |
| 21 | 12001807 | HOSE, DRAIN                           |
| 21 | 8539404  | TIE, CABLE (S/P)                      |
| 22 | 33001245 | <b>DESCONTINUADO</b>                  |
| 23 | 313363   | WASHER (S/P)                          |
| 24 | 22002892 | RETAINER, DRAIN HOSE (S/P)            |

**MAH4000AWQ TABLERO**





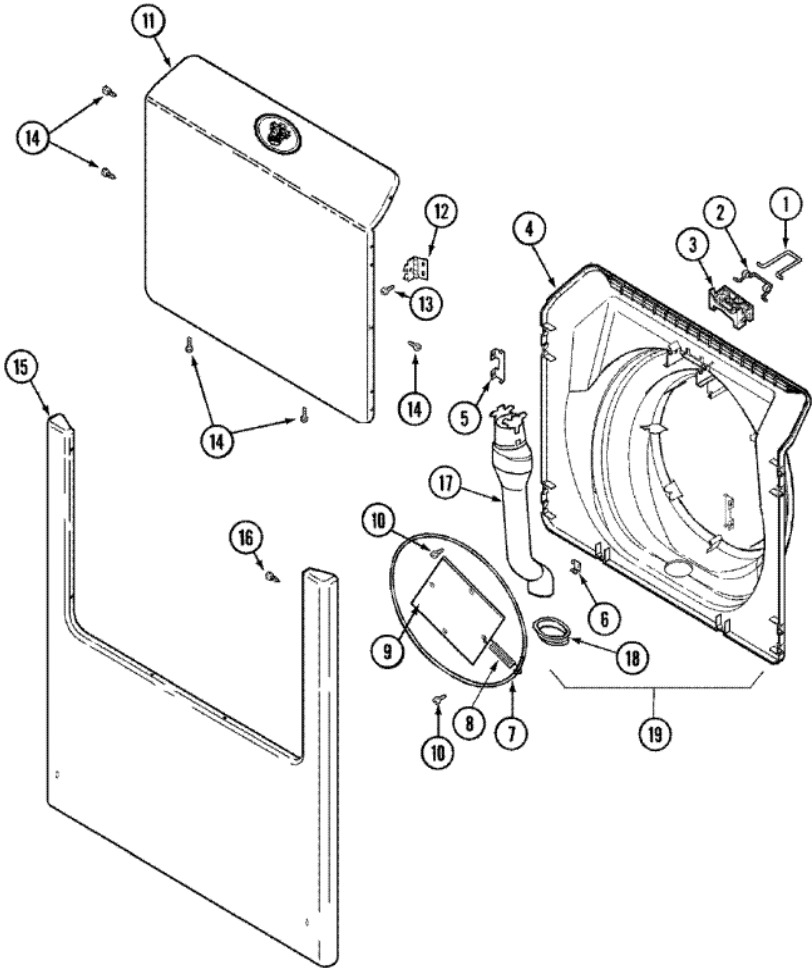
**MAH4000AWQ TABLERO**

|    |           |                                   |
|----|-----------|-----------------------------------|
| 1  | 22002010  | HOSE, AIR DOME                    |
| 2  | 33002347  | TIMER KNOB INSERT/CAP             |
| 3  | 22002870  | PANEL, CONTROL (BSQ) (S/P)        |
| 4  | 22002601  | SWITCH, 4 POSITION (BSQ) (S/P)    |
| 5  | 22002603  | SWITCH, OPTIONS (BSQ) (S/P)       |
| 6  | 22002281  | INDICATOR LIGHT (ON LIGHT) (S/P)  |
| 6  | 903115    | LOCK LIGHT (S/P)                  |
| 6  | 22001948  | LENS, INDICATOR LIGHT (S/P)       |
| 7  | 22002869  | <b>DESCONTINUADO</b>              |
| 7  | 22003013  | BUTTON, PUSH TO START (BSQ) (S/P) |
| 8  | 22002789  | HARNESS, UNBALANCE SWITCHES (S/P) |
| 8  | 22003287  | HARNESS, MAIN WIRE (S/P)          |
| 8  | 22002868  | HARNESS, MAIN WIRE (S/P)          |
| 8  | 22003014  | HARNESS, MAIN WIRE (S/P)          |
| 9  | 22001662  | SCREW (S/P)                       |
| 9  | 22002786  | TIMER (S/P)                       |
| 9  | 22002867  | TIMER                             |
| 10 | 22002604  | <b>DESCONTINUADO</b>              |
| 11 | 22001659  | TIMER KNOB - GREY                 |
| 12 | 22002697  | BUTTON, SWITCH (BSQ-END) (S/P)    |
| 13 | 22002921  | SWITCH, PRESSURE                  |
| 13 | 22002994  | SWITCH, PRESSURE                  |
| 14 | 22002601  | SWITCH, 4 POSITION (BSQ) (S/P)    |
| 15 | 22003875  | BUTTON, SWITCH (BSQ-MDL) (S/P)    |
| 16 | 37001115  | CONSOLE (BSQ) (S/P)               |
| 17 | 22002345  | <b>DESCONTINUADO</b>              |
| 17 | 22001996  | SCREW (S/P)                       |
| 17 | 22002178  | BRACKET, WATER SWITCH (S/P)       |
| 18 | 22001996  | SCREW (S/P)                       |
| 18 | 22002529  | <b>DESCONTINUADO</b>              |
| 18 | Y22002339 | SCREW (S/P)                       |
| 19 | 22002989  | BOARD, CONTROL                    |
| 19 | 33002156  | LOCKNUT, WASHERED (S/P)           |



|    |          |   |
|----|----------|---|
| 19 | 22003548 | BRACKET, MTG. (SR MOTOR CTL) <b>(S/P)</b> |
| 19 | 22002284 | BRACKET <b>(S/P)</b>                      |
| 19 | 22002287 | SCREW, MACHINE CONTROL <b>(S/P)</b>       |
| 19 | 22002989 | BOARD, CONTROL                            |
| 20 | 22002880 | MANUAL, USE & CARE (FRENCH) <b>(S/P)</b>  |
| 20 | 22003484 | <b>DESCONTINUADO</b>                      |
| 20 | 22002879 | MANUAL, USE & CARE <b>(S/P)</b>           |
| 20 | 22003485 | SCRIPT, U & C VIDEO (FRC) <b>(S/P)</b>    |
| 21 | 22002899 | VIDEO, U & C (ENG) <b>(S/P)</b>           |

**MAH4000AWQ PUERTA**





## MAH4000AWQ PUERTA

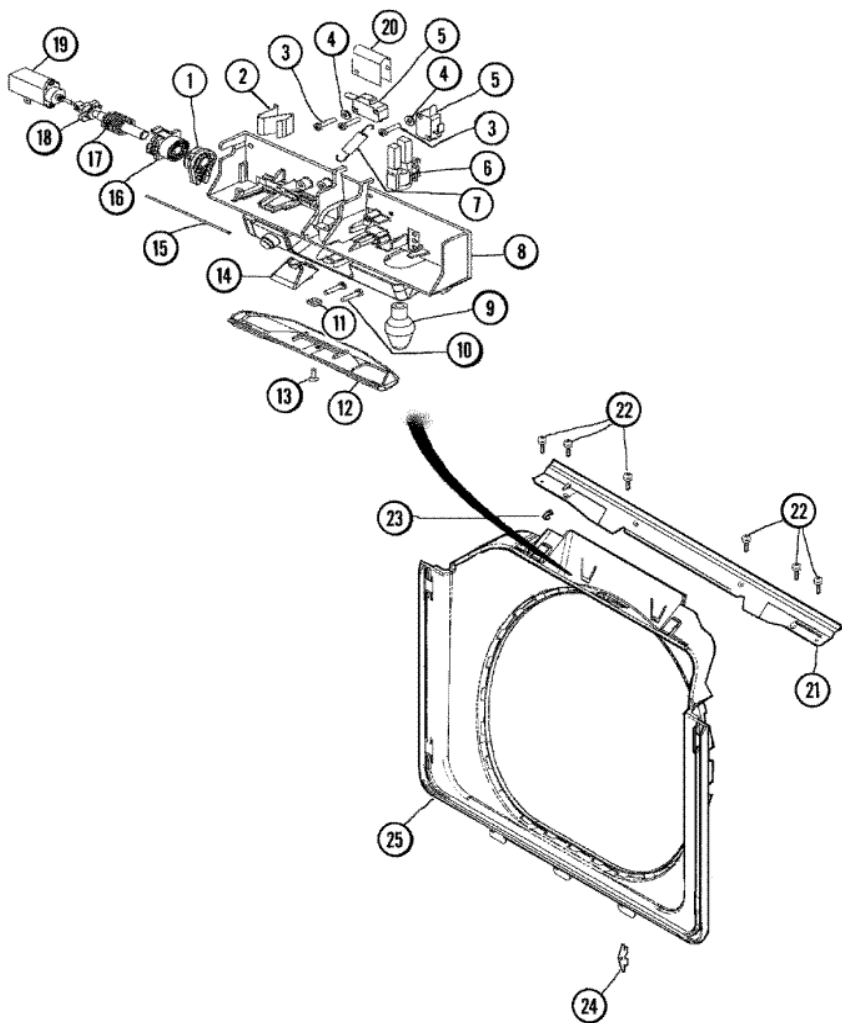
|    |          |                                       |
|----|----------|---------------------------------------|
| 1  | 22003222 | HOOP, LOCK (S/P)                      |
| 2  | 22002003 | SPRING, LATCH (S/P)                   |
| 3  | 22002168 | SUPPORT, LOCK HOOP (S/P)              |
| 4  | 22002443 | LABEL, SAFETY (S/P)                   |
| 4  | 22003078 | DOOR, INNER (BSQ) (S/P)               |
| 4  | 22003085 | DOOR, INNER (W/VENT-BSQ) (S/P)        |
| 5  | 22002038 | CLIP, DOOR (DOUBLE) (S/P)             |
| 6  | 22002039 | CLIP, DOOR (SINGLE) (S/P)             |
| 7  | 22002104 | WIREFRAME (S/P)                       |
| 8  | 22002356 | SPRING, PLATE (S/P)                   |
| 9  | 22002094 | PLATE (S/P)                           |
| 10 | 22002007 | SCREW (S/P)                           |
| 11 | 22002333 | LABEL, OPEN DOOR (WASHER) (S/P)       |
| 11 | 22001817 | SHEET, SOUND DAMPER (FT. PNL) (S/P)   |
| 11 | 22002661 | PANEL, DOOR (BSQ W/MEDALLION) (S/P)   |
| 12 | 22002612 | COVER, HINGE (BSQ) (S/P)              |
| 12 | 22002798 | HINGE, DOOR (S/P)                     |
| 13 | 22002062 | SCREW (S/P)                           |
| 14 | 33002351 | SCREW (No.8-18 OUTER DOOR (BSQ) (S/P) |
| 15 | 22002239 | CLIP, LOWER FRONT PANEL (S/P)         |
| 15 | 22003512 | INSULATION, FRONT PANEL (S/P)         |
| 15 | 22002663 | PANEL, FRONT (BSQ) (S/P)              |
| 15 | 22001995 | SCREW (S/P)                           |
| 16 | 22002012 | SCREW, HINGE (S/P)                    |
| 17 | 22002244 | CLIP, GROUNDING (S/P)                 |
| 17 | 22003850 | VENT TUBE ASSEMBLY (S/P)              |
| 18 | 22003075 | GROMMET, VENT TUBE (S/P)              |
| 19 | 22003085 | LINER, DOOR ASSY W/VENT (BSQ) (S/P)   |
| 20 | 22003908 | VAPOR BARRIER (S/P)                   |

Distribuidor Autorizado

SurteRápido.com

Venta de Refacciones  
Electrodomesticas

## MAH4000AWQ SWITCH PUERTA

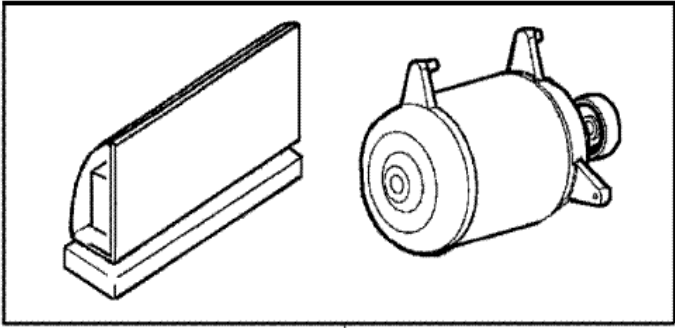




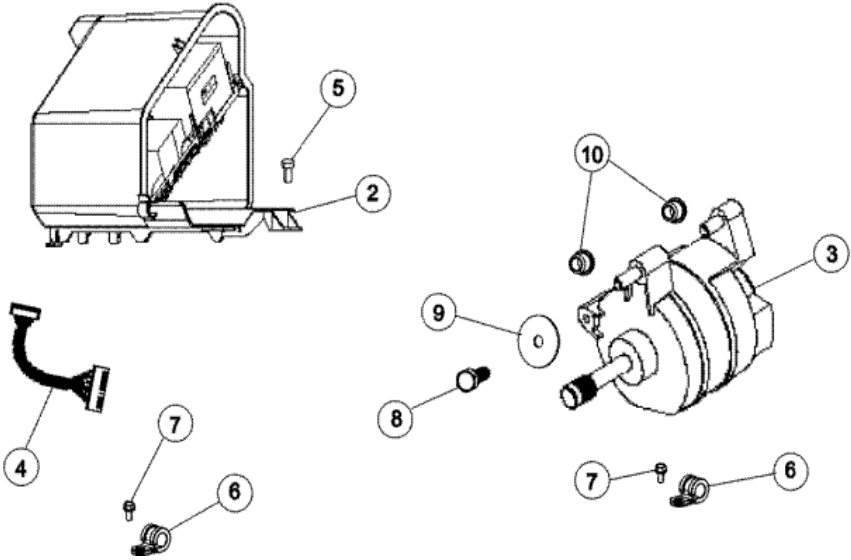
## MAH4000AWQ SWITCH PUERTA

|    |          |                                     |
|----|----------|-------------------------------------|
| 1  | 22003716 | ROTATING GEAR, LATCH (S/P)          |
| 2  | 22003717 | SPRING, LATCH (S/P)                 |
| 3  | 22001352 | SCREW, CHECK SWITCH (S/P)           |
| 4  | 22002165 | WASHER, DOOR LOCK SWITCH (S/P)      |
| 5  | 22002162 | SWITCH, DOOR LOCK SPIN ENABLE (S/P) |
| 6  | 22002433 | BULB HOLDER ASSEMBLY (S/P)          |
| 7  | 22002158 | SPRING, GEAR RETURN                 |
| 8  | 22003067 | SWITCH HOLDER ASSEMBLY (S/P)        |
| 9  | 22002263 | LAMP (10 WATT) (S/P)                |
| 10 | 22003719 | SCREW, LATCH (S/P)                  |
| 11 | 22003720 | NUT, LATCH                          |
| 12 | 22002434 | COVER, BULB (S/P)                   |
| 13 | 22002435 | SCREW (S/P)                         |
| 14 | 22003055 | RAMP, DOOR HOOP (S/P)               |
| 15 | 22002164 | CABLE, DOOR (S/P)                   |
| 16 | 22003715 | SLIDING GEAR, LATCH (S/P)           |
| 17 | 22003721 | SPRING, AXLE / LATCH (S/P)          |
| 18 | 22003718 | AXLE, LATCH (S/P)                   |
| 19 | 902899   | MOTOR, WAX                          |
| 20 | 22004256 | SHIELD (S/P)                        |
| 21 | 22003637 | BRACE ASSEMBLY, TOP CROSS (S/P)     |
| 21 | 22002015 | SUPPORT, DOOR LOCK (S/P)            |
| 21 | 22003908 | VAPOR BARRIER (S/P)                 |
| 22 | 22001995 | SCREW (S/P)                         |
| 23 | 22002014 | CLIP (S/P)                          |
| 24 | 33001787 | SCREW, HINGE (S/P)                  |
| 24 | 33002349 | COVER, HINGE HOLE (BSQ) (S/P)       |
| 24 | 22002612 | COVER, HINGE (BSQ) (S/P)            |
| 25 | 22002665 | <b>DESCONTINUADO</b>                |

**MAH4000AWQ MOTOR**



1





## MAH4000AWQ MOTOR

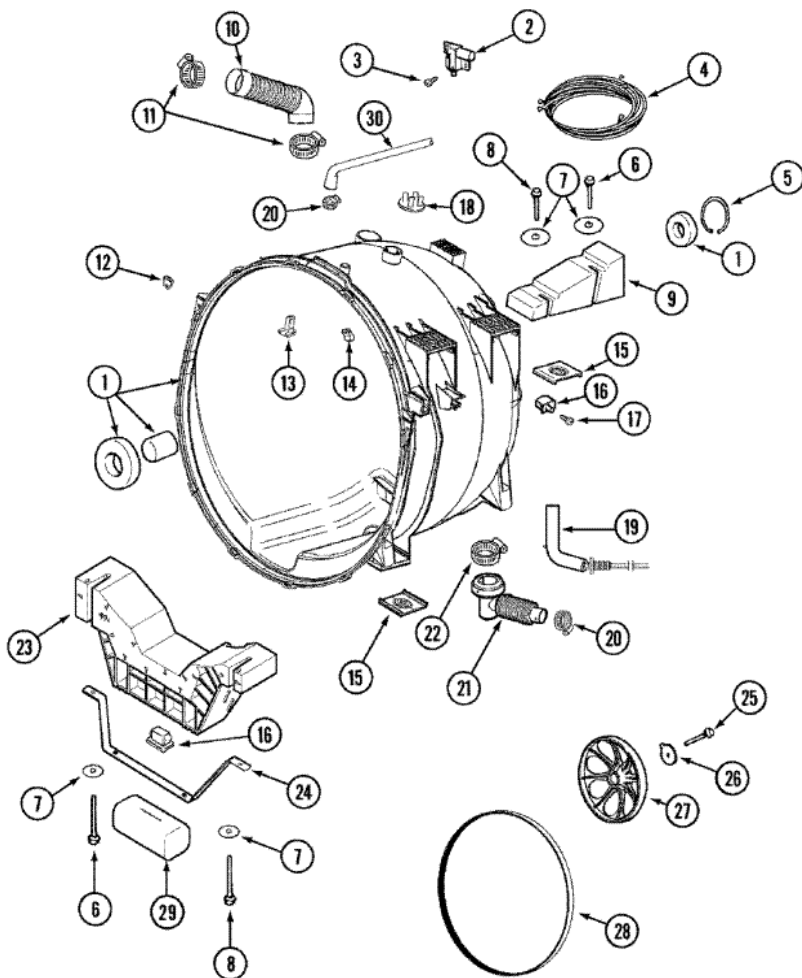
|    |          |   |
|----|----------|---|
| 1  | 12002039 | NEPTUNE MOTOR CONVERSION KIT                  |
| 2  | 12002039 | NEPTUNE MOTOR CONVERSION KIT                  |
| 2  | 22004046 | CONTROL ASSY., MOTOR                          |
| 3  | 22003856 | MOTOR, VARIABLE SPEED                         |
| 3  | 12002039 | MOTOR, (156 T) 60HZ 120V                      |
| 4  | 22003854 | EMI SUPPRESSION FILTER, 12 <sup>a</sup> (S/P) |
| 4  | 22002471 | WIRE HARNESS, MOTOR CONTROL (S/P)             |
| 5  | 212276   | SCREW (S/P)                                   |
| 6  | 22002014 | CLIP, WIRE HARNESS (S/P)                      |
| 7  | Y310632  | SCREW (S/P)                                   |
| 8  | 22003599 | BOLT, MOTOR (S/P)                             |
| 8  | 22003686 | BOLT, MOTOR (S/P)                             |
| 9  | 22002320 | ADJUSTER, BELT TENSION (S/P)                  |
| 10 | 22003329 | ISOLATOR, MOTOR (S/P)                         |

Distribuidor Autorizado

**SurteRápido.com**

Venta de Refacciones  
Electrodomesticas

**MAH4000AWQ TINA**







## MAH4000AWQ TINA

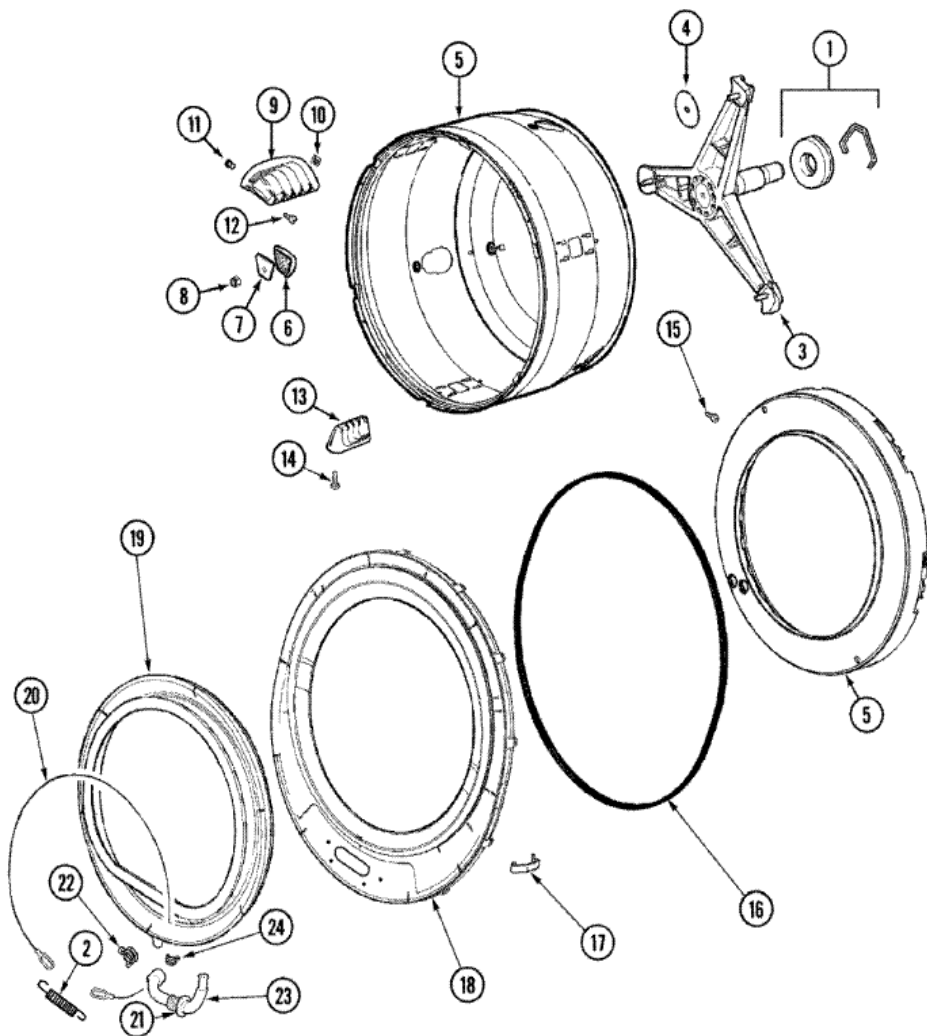
|    |          |                                     |
|----|----------|-------------------------------------|
| 1  | 22004465 | TUB ASSEMBLY (S/P)                  |
| 2  | 22003302 | SWITCH, INERTIAL – UNBALANCE (S/P)  |
| 4  | 12001798 | WIRE HARNESS, UNBALANCE /COMM (S/P) |
| 5  | 22001981 | RING, RETAINING (S/P)               |
| 6  | 22003615 | BOLT (S/P)                          |
| 7  | 22002067 | <b>DESCONTINUADO</b>                |
| 8  | 22003616 | BOLT (S/P)                          |
| 9  | 22002102 | WEIGHT, COUNTER BALANCE (S/P)       |
| 10 | 22002083 | HOSE, INJECTOR                      |
| 11 | 616099   | CLAMP, INJECTOR HOSE (S/P)          |
| 12 | 22002103 | CLIP, U (S/P)                       |
| 13 | 22004310 | DEFLECTOR, WATER (S/P)              |
| 14 | 22002583 | WIRE WRAP (S/P)                     |
| 14 | 22002006 | CLIP (S/P)                          |
| 15 | 22002065 | NUT, COUNTER BALANCE (S/P)          |
| 16 | 22002044 | SWITCH, TUB DISPLACEMENT (S/P)      |
| 18 | 22002797 | CLIP, HOSE (SADDLE HORN) (S/P)      |
| 19 | 22002010 | HOSE, AIR DOME                      |
| 19 | 22002799 | CLIP, SNAP (S/P)                    |
| 20 | 202515   | HOSE CLAMP - 1-1/16 INCH (S/P)      |
| 21 | 22002793 | HOSE, OUTLET W/FILTER (6 1/2``)     |
| 22 | 22002053 | CLAMP, SUMP HOSE (S/P)              |
| 23 | 22002579 | <b>DESCONTINUADO</b>                |
| 24 | 22002008 | <b>DESCONTINUADO</b>                |
| 26 | 22003936 | WASHER (1 1/4``) (S/P)              |
| 26 | 22003936 | WASHER, SPINNER SHAFT (S/P)         |
| 27 | 22002315 | PULLEY, SPINNER                     |
| 28 | 12001788 | BELT KIT, DRIVE                     |
| 29 | 22003225 | CUSHION (S/P)                       |
| 30 | 22002791 | HOSE/CLIP ASSY RECIRC (S/P)         |

Distribuidor Autorizado

**SurteRápido.com**

Venta de Refacciones  
Electrodomesticas

## MAH4000AWQ SELLOS





## MAH4000AWQ SELLOS

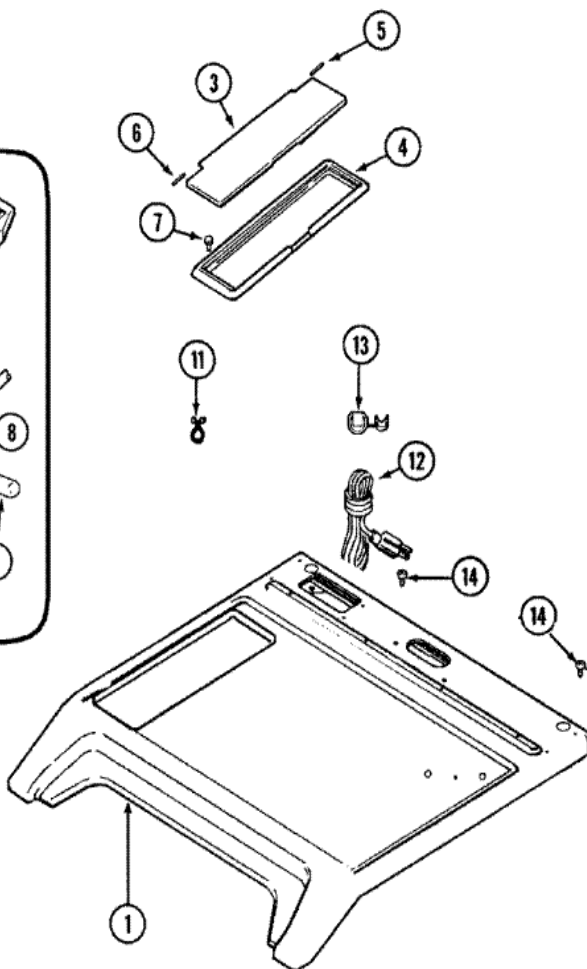
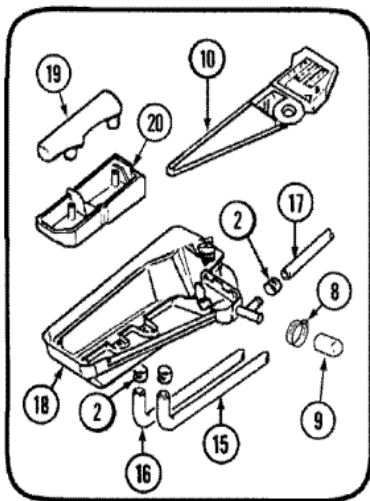
|    |          |                                |
|----|----------|--------------------------------|
| 1  | 12002022 | LIP SEAL SVC ASSY.             |
| 2  | 22002099 | SPRING, TUB (S/P)              |
| 3  | 22002897 | SUPPORT ASSY., SPINNER         |
| 3  | 22002123 | TUBE, MOLYKOTE (S/P)           |
| 4  | 22002023 | WASHER, PLASTIC (S/P)          |
| 5  | 22003670 | SPINNER ASSY. (W/BALANCE RING) |
| 6  | 22002482 | WASHER, PROFILE (S/P)          |
| 7  | 22002020 | WASHER, SPINNER SUPPORT (S/P)  |
| 8  | 22007454 | NUT, SPINNER ATTACHMENT (S/P)  |
| 9  | 22001985 | BAFFLE, DRIP (REAR) (S/P)      |
| 10 | 22002009 | GROMMET, BAFFLE (REAR) (S/P)   |
| 11 | 22001999 | GROMMET, BAFFLE (FRT) (S/P)    |
| 12 | 22002325 | SCREW (S/P)                    |
| 13 | 22001986 | BAFFLE, DRIP (FRONT) (S/P)     |
| 14 | 22002059 | SCREW (S/P)                    |
| 15 | 22002028 | SCREW, BALANCE RING (S/P)      |
| 16 | 22002077 | SEAL, TUB COVER (S/P)          |
| 17 | 22002050 | CLIP, TUB TO COVER (S/P)       |
| 18 | 22003212 | COVER, TUB (W/SEAL)            |
| 19 | 12002533 | KIT, DOOR BOOT W/DRAIN         |
| 20 | 22002327 | WIRE, BOOT CLAMP (S/P)         |
| 21 | 22003074 | GUARD, HOSE (S/P)              |
| 22 | 22003072 | CLAMP, HOSE DOUBLE WIRE (S/P)  |
| 23 | 22004477 | DOOR BOOT DRAIN HOSE           |
| 24 | 22003073 | CLAMP, HOSE DOUBLE WIRE (S/P)  |

Distribuidor Autorizado

SurteRápido.com

Venta de Refacciones  
Electrodomesticas

# MAH4000AWQ TAPA





## MAH4000AWQ TAPA

|    |          |                              |
|----|----------|------------------------------|
| 1  | 22004181 | COVER, TOP (BSQ-AS PK) (S/P) |
| 1  | 22002662 | COVER, TOP (BSQ) (S/P)       |
| 2  | 205161   | CLAMP - 15/16`` (S/P)        |
| 3  | 22002614 | LID, DISPENSER (BSQ) (S/P)   |
| 4  | 22002613 | BEZEL, DISPENSER (BSQ) (S/P) |
| 5  | Y912678  | PIN, HINGE (LONG) (S/P)      |
| 6  | Y912679  | PIN, HINGE (SHORT) (S/P)     |
| 7  | 22003681 | SCREW, DISPENSER LID (S/P)   |
| 7  | 22002060 | SCREW, BEZEL (S/P)           |
| 8  | 22001984 | CLAMP, DRAIN HOSE (S/P)      |
| 9  | 22002796 | CAP (S/P)                    |
| 10 | 22002555 | FLUME, DISPENSER (S/P)       |
| 10 | 22003322 | TOP, DISPENSER (FLUME) (S/P) |
| 11 | 212276   | SCREW (S/P)                  |
| 11 | 74007164 | WIRE TIE, TWIST LOCK (S/P)   |
| 12 | 22003062 | CORD, POWER (S/P)            |
| 13 | 211881   | GROMMET, CORD (S/P)          |
| 14 | 912365   | SCREW (S/P)                  |
| 15 | 22002551 | HOSE, BLEACH (S/P)           |
| 16 | 22002552 | <b>DESCONTINUADO</b>         |
| 17 | 22003457 | HOSE, DETERGENT (S/P)        |
| 17 | 22002553 | HOSE, DETERGENT (S/P)        |
| 18 | 22003723 | BOTTOM, DISPENSER (S/P)      |
| 18 | 12001558 | DISPENSER BOTTOM (S/P)       |
| 19 | 22002266 | CAP, SIPHON                  |
| 20 | 22002265 | CUP, SIPHON                  |