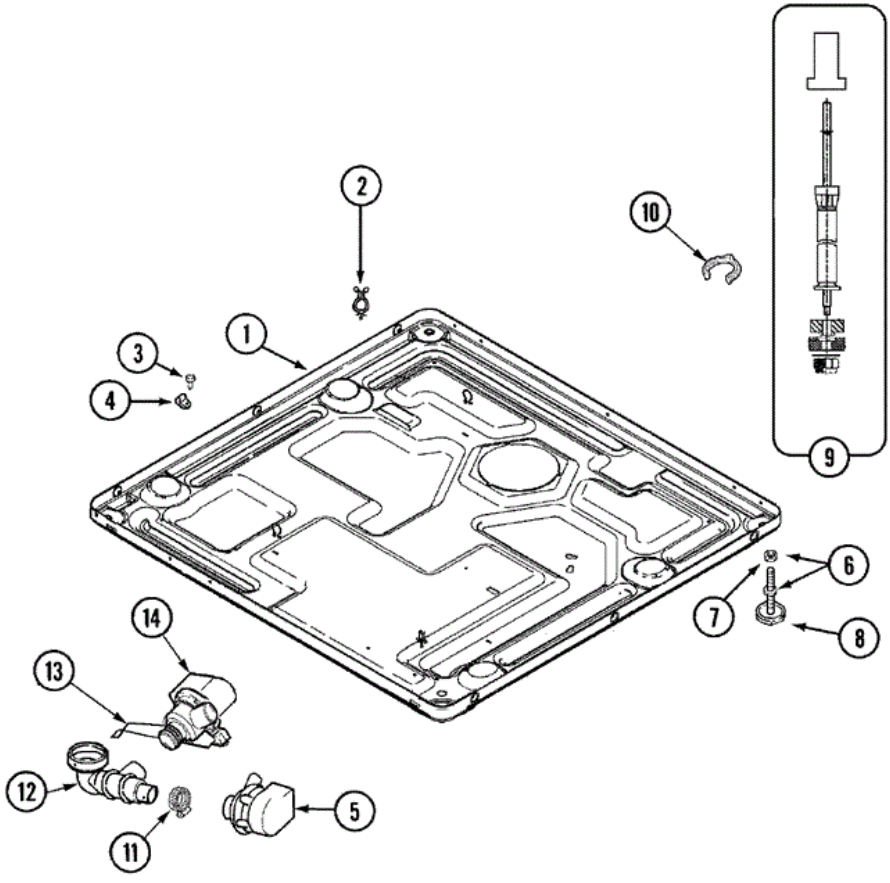


MAH4000AWW BASE





MAH4000AWW BASE

1	22002240	10	BASE
1	22003605	72	BASE WELD ASSEMBLY
2	315471	10	RETAINER, WIRE
3	212276	10	SCREW
4	22002014	10	CLIP
5	22002794	10	PUMP
5	25001012	10	PUMP ISOLATOR BRACKET
5	22003059	49	PUMP, DRAIN (80 WATT)
6	22001915	10	ADJUSTABLE LEG & NUT
7	Y052740	10	NUT
8	210684	10	FOOT, RUBBER
9	22001988	10	STRUT ASSY-REAR
10	22003080	10	CLIP, AIRDOME HOSE
11	202515	10	HOSE CLAMP - 1-1/16 INCH
12	22002793	10	HOSE, OUTLET W/FILTER (6 1/2`)
12	22002958	42	HOSE, OUTLET (TUB)
13	22002790	10	PUMP MOUNT
14	202515	10	HOSE CLAMP - 1-1/16 INCH
14	22002792	10	PUMP, RECIRC

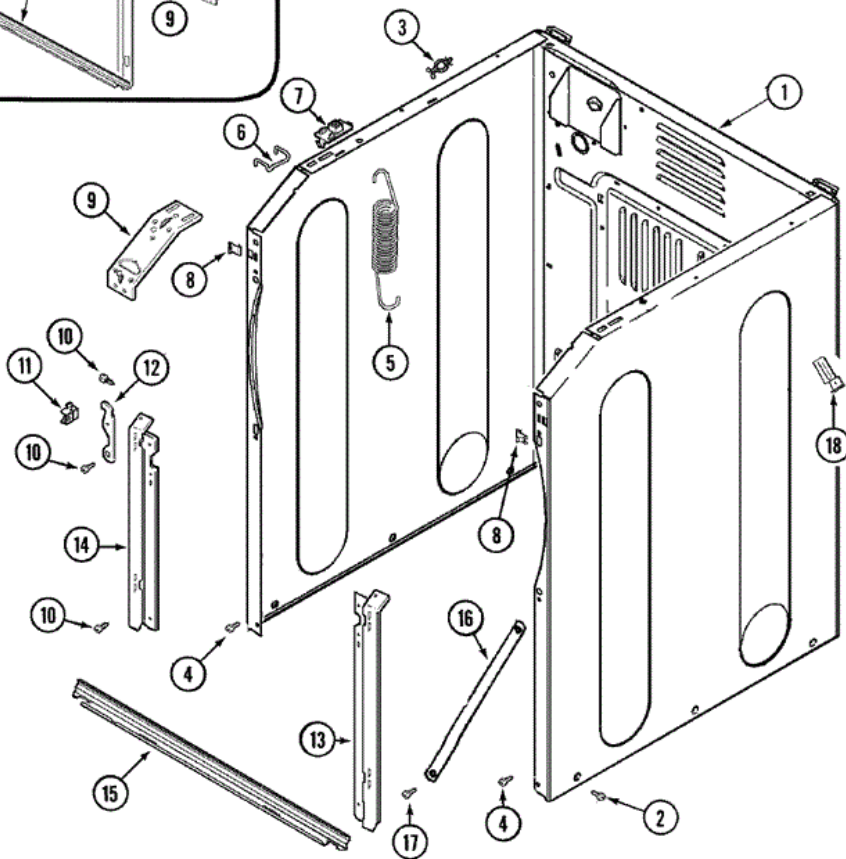
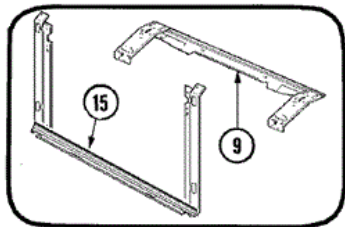
Distribuidor Autorizado

SurteRápido.com

Venta de Refacciones
Electrodomesticas

MAH4000AWW GABINETE

SERIES 69

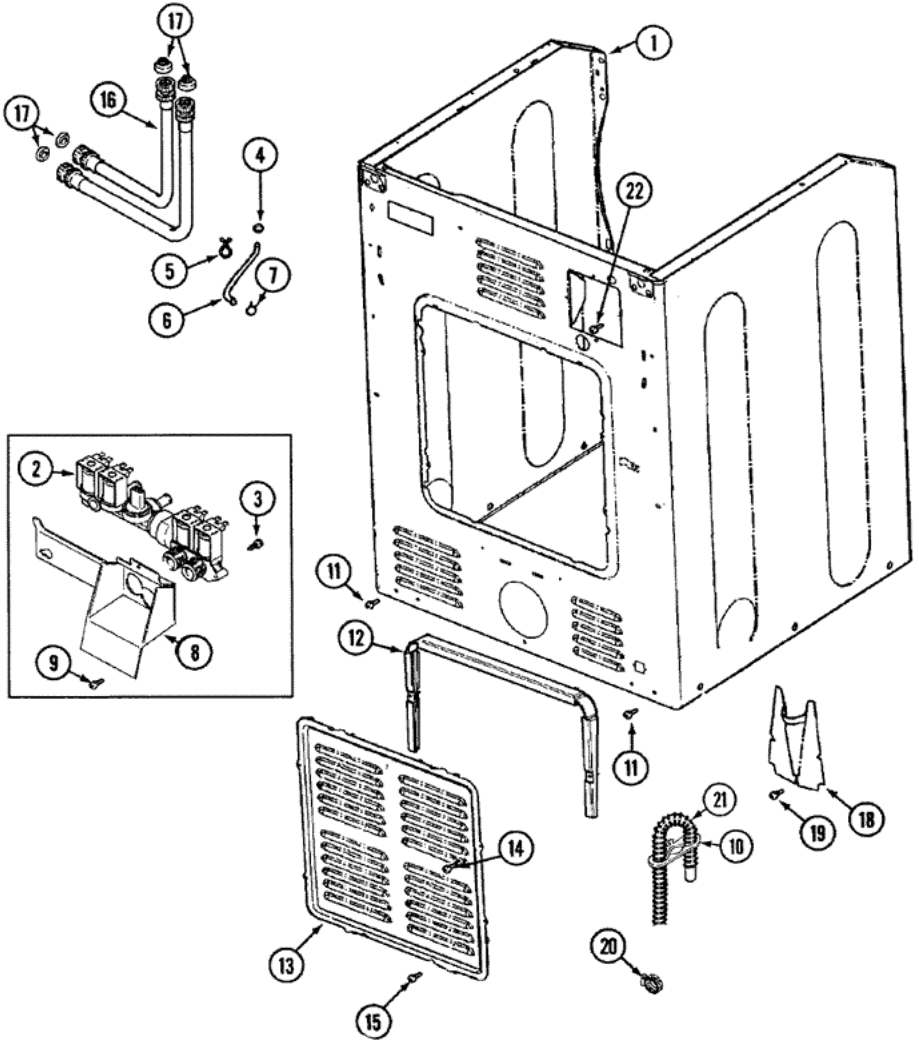




MAH4000AWW GABINETE

1	22002293	10	INSULATION, CABINET
1	22002548	10	CABINET ASSY. (WHT)
1	33001836	10	STRAP, TOP COVER SUPPORT
1	22003582	67	CABINET, ASSY. (WHT-AS PK)
1	22003583	67	CABINET, ASSY. (BSQ-AS PK)
1	22003639	72	CABINET ASSY. (WHT AS PK)
2	213007	10	SCREW, CABINET
2	22002013	10	STOP, SHIPPING
3	315471	10	RETAINER, WIRE
4	22001995	10	SCREW
5	22002100	10	SPRING
6	22002297	10	SUPPORT, SPRING
7	22001997	10	SPACER, TOP COVER
8	22002049	10	CLIP
9	22002090	10	BRACE, CORNER
9	22002292	10	BRACE, CORNER (LT)
9	22003637	69	BRACE ASSEMBLY, TOP CROSS
10	22001995	10	SCREW
11	22002001	10	SUPPORT, HINGE
12	22002247	10	HOOK, SECURITY
13	22002034	10	BRACKET, SHROUD SUPPORT (RT)
14	22002985	10	BRACKET, SHROUD (LT)
15	22001993	10	BRIDGE, SHROUD SUPPORT
15	22003652	69	SHROUD SUPPORT ASSEMBLY
16	22002259	10	BRACE, CROSS
17	22001995	10	SCREW
18	22001996	10	SCREW
18	22002178	10	BRACKET, WATER SWITCH

MAH4000AWW GABINETE

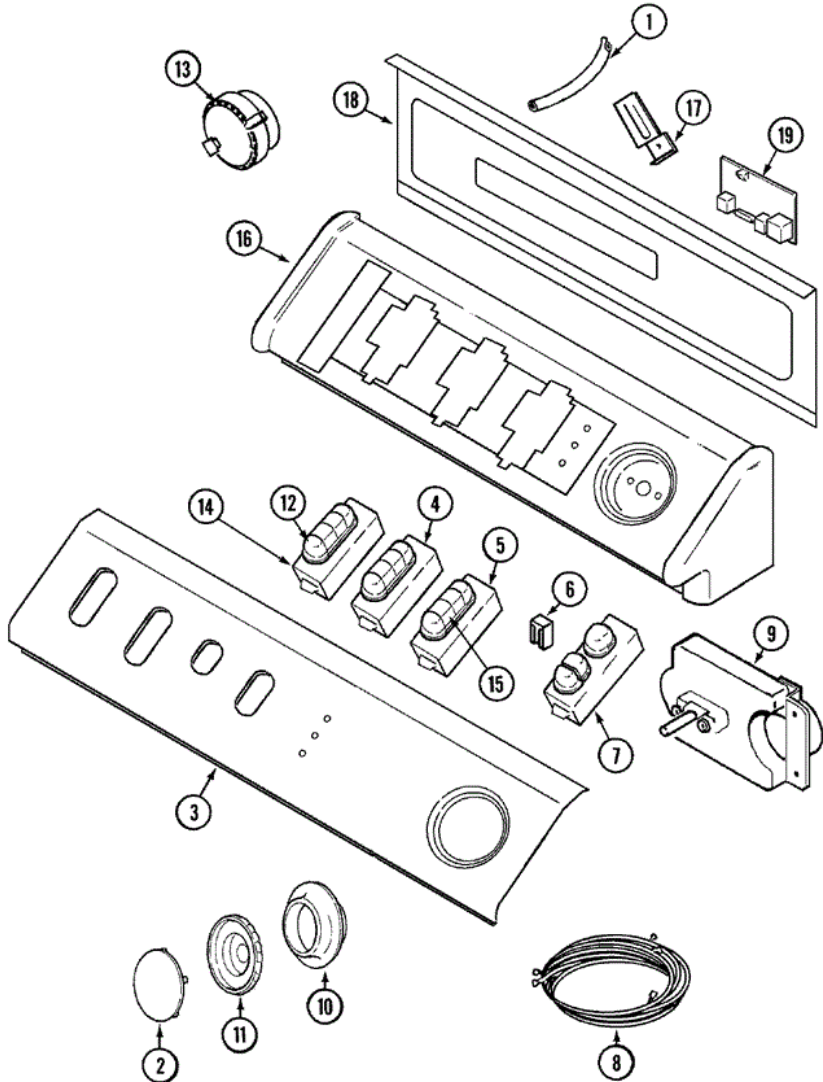




MAH4000AWW GABINETE

1	22002444	10	LABEL, ENERGY
1	22002445	10	LABEL, SAFETY
1	22002548	10	CABINET ASSY. (WHT)
2	205161	10	CLAMP - 15/16``
2	22002795	10	VALVE, WATER
3	22002436	10	SCREW
4	22002054	10	CLAMP, STEPLESS
5	22002027	10	WIRE TIE, TWIST LOCK
6	22002179	10	TIE, CABLE
6	22002296	10	HOSE, INJECTOR
7	216169	10	CLAMP,HOSE-INJEC.HOSE TO VALVE
8	33002212	10	BRACKET, WATER VALVE
9	22001996	10	SCREW
10	22002076	10	STRAP, DRAIN HOSE
11	22001995	10	SCREW
12	22002022	10	SPACER, ACCESS PANEL
13	22002092	10	PANEL, ACCESS
14	22002295	10	SCREW
15	22001996	10	SCREW
16	202860	10	INLET HOSE ASSY.
16	22002229	10	STRAINER
17	Y013783	10	GASKET, INLET HOSE
18	22002093	10	COVER, DRAIN HOSE
19	22001995	10	SCREW
20	22001984	10	CLAMP, DRAIN HOSE
21	12001659	10	DRAIN HOSE REPLACEMENT(NEPTUN)
21	22002891	10	HOSE, DRAIN
21	22002893	10	TIE, CABLE
21	22002932	10	CLIP, DRAIN HOSE
22	33001245	10	SCREW----NA
23	313363	10	WASHER
24	22002892	10	RETAINER, DRAIN HOSE

MAH4000AWW TABLERO



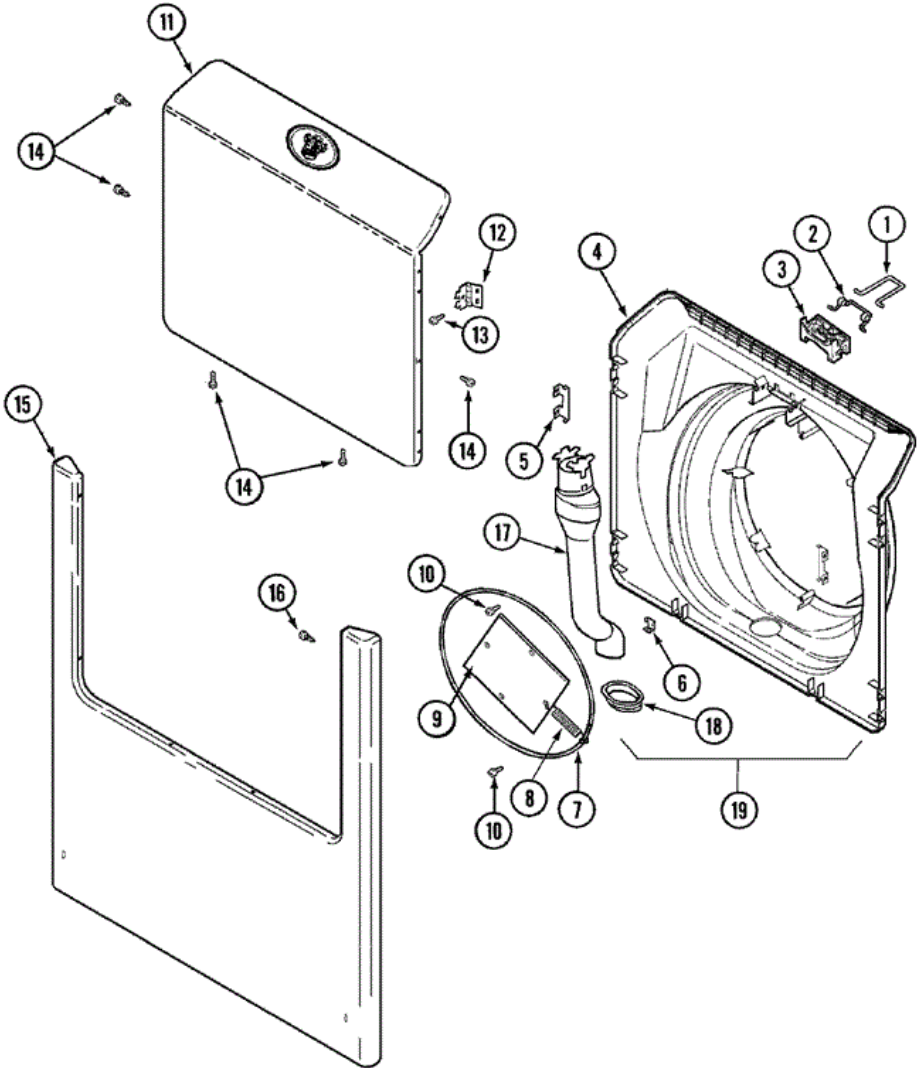


MAH4000AWW TABLERO

1	22002010	10	HOSE, AIR DOME
2	22001664	10	TIMER KNOB INSERT/CAP (WHT)
3	22002785	10	PANEL, CONTROL
4	22002268	10	SWITCH, 4 POSITION (WHT)
5	22002278	10	SWITCH, OPTIONS (WHT)
6	22001948	10	LENS, INDICATOR LIGHT
6	22002281	10	INDICATOR LIGHT (ON LIGHT)
6	903115	10	LOCK LIGHT
7	22002787	10	SWITCH, START/STOP
7	22003012	10	BUTTON, PUSH TO START (WHT)
8	22002789	10	HARNESS, UNBALANCE SWITCHES
8	22002868	11	HARNESS, MAIN WIRE
8	22003014	44	HARNESS, MAIN WIRE
8	22003287	45	HARNESS, MAIN WIRE
9	22001662	10	SCREW
9	22002786	10	TIMER
9	22002867	11	TIMER
10	22002282	10	BEZEL, TIMER DIAL (WHT)
11	22001659	10	TIMER KNOB - GREY
12	22001788	10	BUTTON, SWITCH (WHT-END)
13	22002048	10	SWITCH, PRESSURE
13	22002994	44	SWITCH, PRESSURE
14	22002268	10	SWITCH, 4 POSITION (WHT)
15	22001789	10	BUTTON, SWITCH (WHT-MDL)
16	33002286	10	CONSOLE (WHT)
17	22001996	10	SCREW
17	22002178	10	BRACKET, WATER SWITCH
17	22002345	10	TIE, WIRE
18	22001996	10	SCREW
18	33001806	10	BACK, CONSOLE PANEL
18	Y22002339	10	SCREW
19	22002284	10	BRACKET
19	22002287	10	SCREW, MACHINE CONTROL

19	22002788	10	BOARD, CONTROL
19	33002156	10	LOCKNUT, WASHERED
19	22002989	45	BOARD, CONTROL
19	22003548	60	BRACKET, MTG. (SR MOTOR CTL)
20	22002879	10	MANUAL, USE & CARE
20	22002880	10	MANUAL, USE & CARE (FRENCH)
20	22003484	10	SCRIPT, U & C VIDEO (SPN)
20	22003485	10	SCRIPT, U & C VIDEO (FRC)
21	22002899	10	VIDEO, U & C (ENG)

MAH4000AWW PUERTA





MAH4000AWW PUERTA

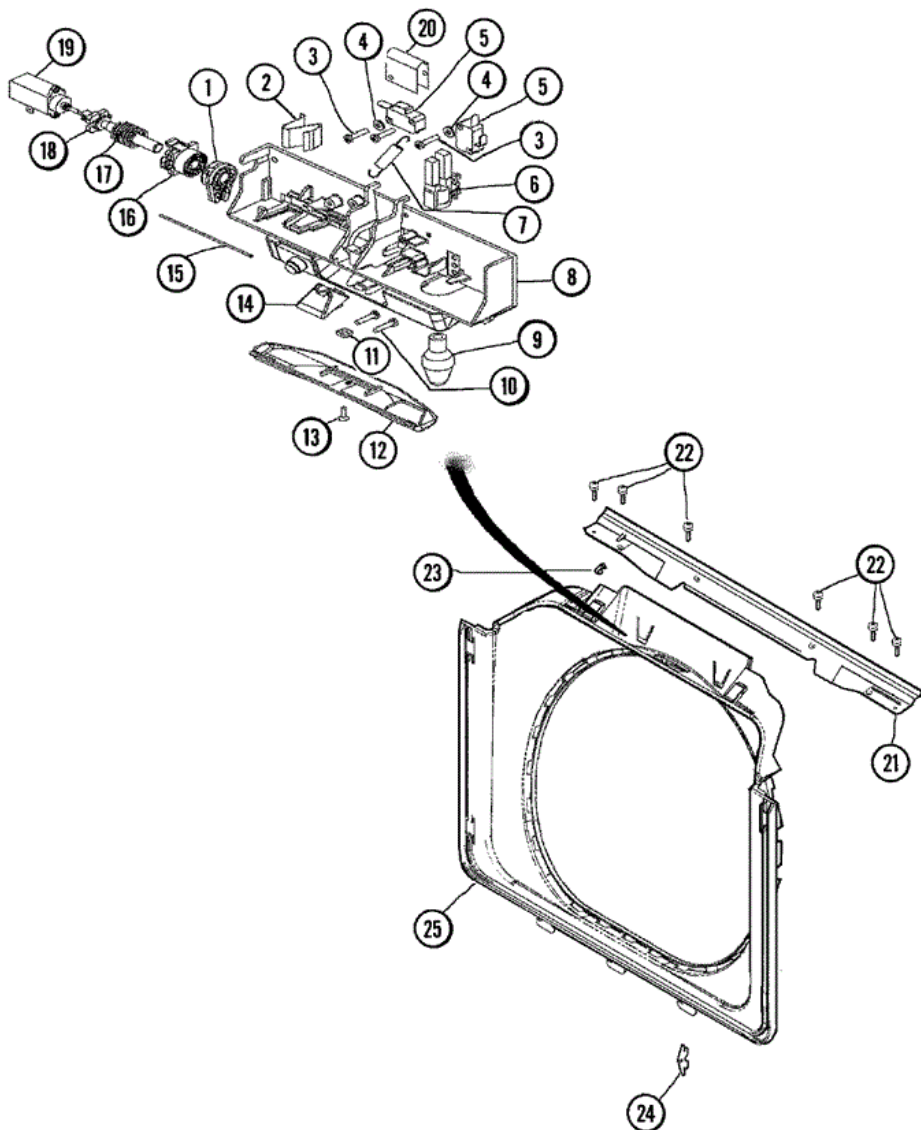
1	22002002	10	HOOP, LOCK
2	22002003	10	SPRING, LATCH
3	22002168	10	SUPPORT, LOCK HOOP
4	22002443	10	LABEL, SAFETY
4	22002539	10	DOOR, INNER (W/VENT-WHT)
4	22003076	50	DOOR, INNER (WHT)
4	22003800	76	INNER DOOR/VENTED (ASPK-WHT)
5	22002038	10	CLIP, DOOR (DOUBLE)
6	22002039	10	CLIP, DOOR (SINGLE)
7	22002104	10	WIREFRAME
8	22002356	10	SPRING, PLATE
9	22002094	10	PLATE
10	22002007	10	SCREW
11	22001817	10	SHEET, SOUND DAMPER (FT. PNL)
11	22002260	10	PANEL, DOOR (WHT-W/MEDALLION)
11	22002333	10	LABEL, OPEN DOOR (WASHER)
12	22002000	10	HINGE, DOOR
12	22002095	10	COVER, HINGE (WHT)
13	22002062	10	SCREW
14	22002063	10	SCREW NO.8-18AB WAFER HD
15	22001995	10	SCREW
15	22002239	10	CLIP, LOWER FRONT PANEL
15	22002241	10	PANEL, FRONT (WHT)
15	22002305	10	INSULATION, FRONT PANEL
16	22002012	10	SCREW, HINGE
17	22002244	10	CLIP, GROUNDING
17	22002990	50	VENT TUBE ASSEMBLY
18	22003075	50	GROMMET, VENT TUBE
19	22003083	50	LINER, DOOR ASSY W/VENT (WHT)
20	22003908	86	VAPOR BARRIER

Distribuidor Autorizado

SurteRápido.com

Venta de Refacciones
Electrodomesticas

MAH4000AWW SWITCH PUERTA





MAH4000AWW SWITCH PUERTA

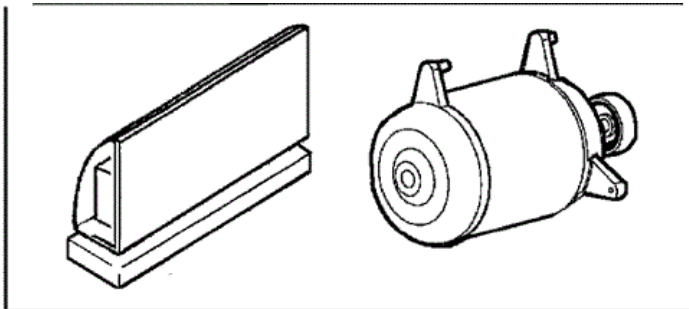
1	22003716	10	ROTATING GEAR, LATCH
2	22003717	10	SPRING, LATCH
3	22001352	10	SCREW, CHECK SWITCH
4	22002165	10	WASHER, DOOR LOCK SWITCH
5	22002162	10	SWITCH, DOOR LOCK SPIN ENABLE
6	22002433	10	BULB HOLDER ASSEMBLY
7	22002158	10	SPRING, GEAR RETURN
8	22003067	10	SWITCH HOLDER ASSEMBLY
9	22002263	10	LAMP (10 WATT)
10	22003719	10	SCREW, LATCH
11	22003720	10	NUT, LATCH
12	22002434	10	COVER, BULB
13	22002435	10	SCREW
14	22003055	10	RAMP, DOOR HOOP
15	22002164	10	CABLE, DOOR
16	22003715	10	SLIDING GEAR, LATCH
17	22003721	10	SPRING, AXLE / LATCH
18	22003718	10	AXLE, LATCH
19	22002119	10	MOTOR, WAX
20	22004256	10	SHIELD
21	22002015	10	SUPPORT, DOOR LOCK
21	22003637	69	BRACE ASSEMBLY, TOP CROSS
21	22003908	86	VAPOR BARRIER
22	22001995	10	SCREW
23	22002014	10	CLIP
24	22002095	10	COVER, HINGE (WHT)
24	33001764	75	COVER, HINGE HOLE (WHT)
24	33001787	75	SCREW, HINGE
25	22002234	10	SHROUD, PLASTIC (WHT)

Distribuidor Autorizado

SurteRápido.com







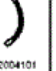

Venta de Refacciones
Electrodomesticas

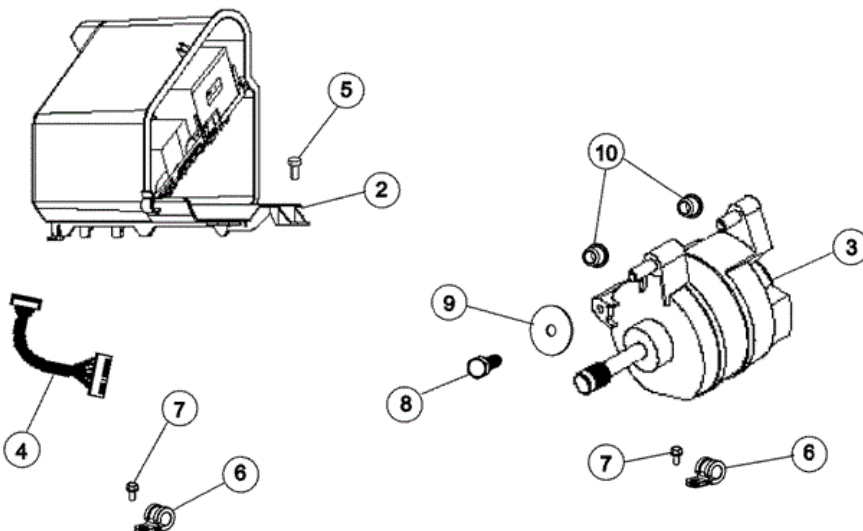
MAH4000AWW MOTOR



1 USE FOR ITEM 2 PRIOR TO SERIES 88

ITEM 1 - KIT CONTAINS:

 12002049 Motor Isolator	 22004046 Motor Control Board	 22004047 Motor Harness	 22003854 AC Line Filter	 22004102 "F" Clips (2)	 22002300 Screw - "F" Cap to Motor	 22004101 Jump Wire Harness	 22004103 Ground Screw
---	--	--	---	--	---	--	---

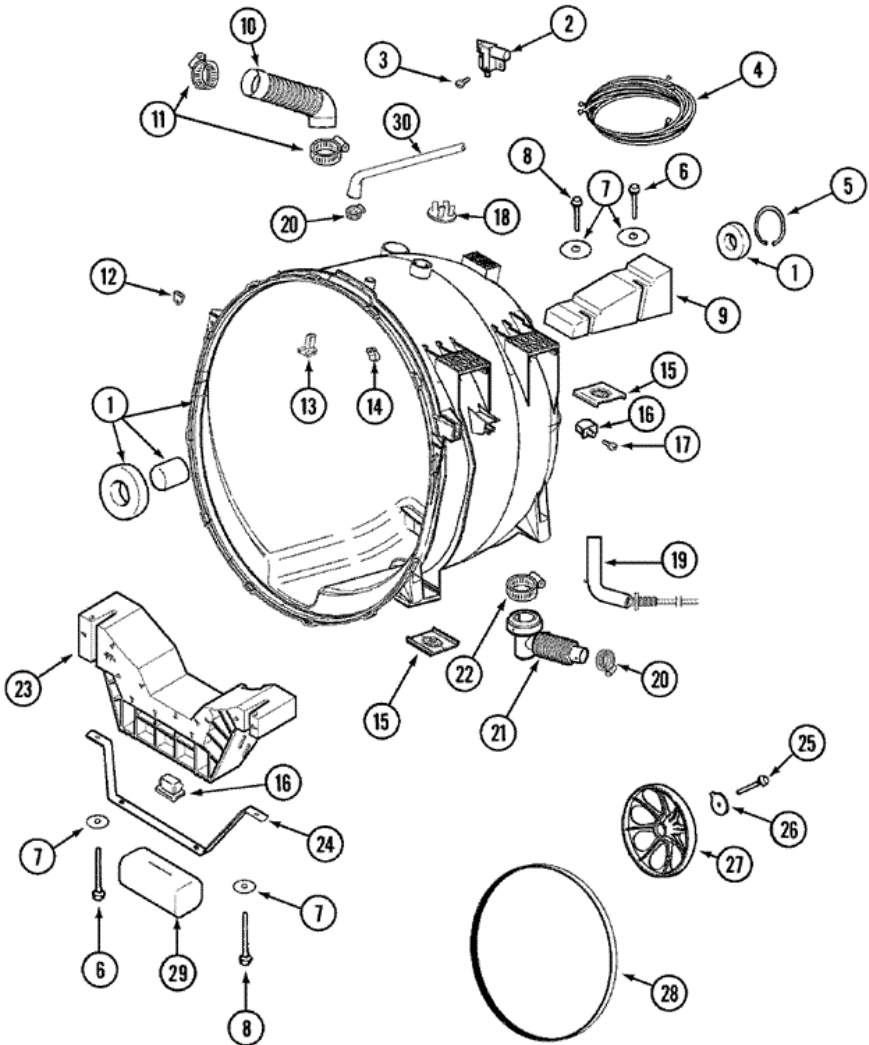




MAH4000AWW MOTOR

1	12002039	10	NEPTUNE MOTOR CONVERSION KIT
2	12002039	10	NEPTUNE MOTOR CONVERSION KIT
2	22004046	88	CONTROL ASSY., MOTOR
3	22003442	10	MOTOR, (156 T) 60HZ 120V
3	22003856	88	MOTOR, VARIABLE SPEED
4	22002471	10	WIRE HARNESS, MOTOR CONTROL
4	22003854	88	EMI SUPPRESSION FILTER, 12A
5	212276	10	SCREW
6	22002173	10	CLIP, WIRE HARNESS
7	Y310632	10	SCREW
8	22002058	10	BOLT, MOTOR
8	22003686	76	BOLT, MOTOR
9	22002086	10	ADJUSTER, BELT TENSION
10	22002082	10	ISOLATOR, MOTOR

MAH4000AWW TINA



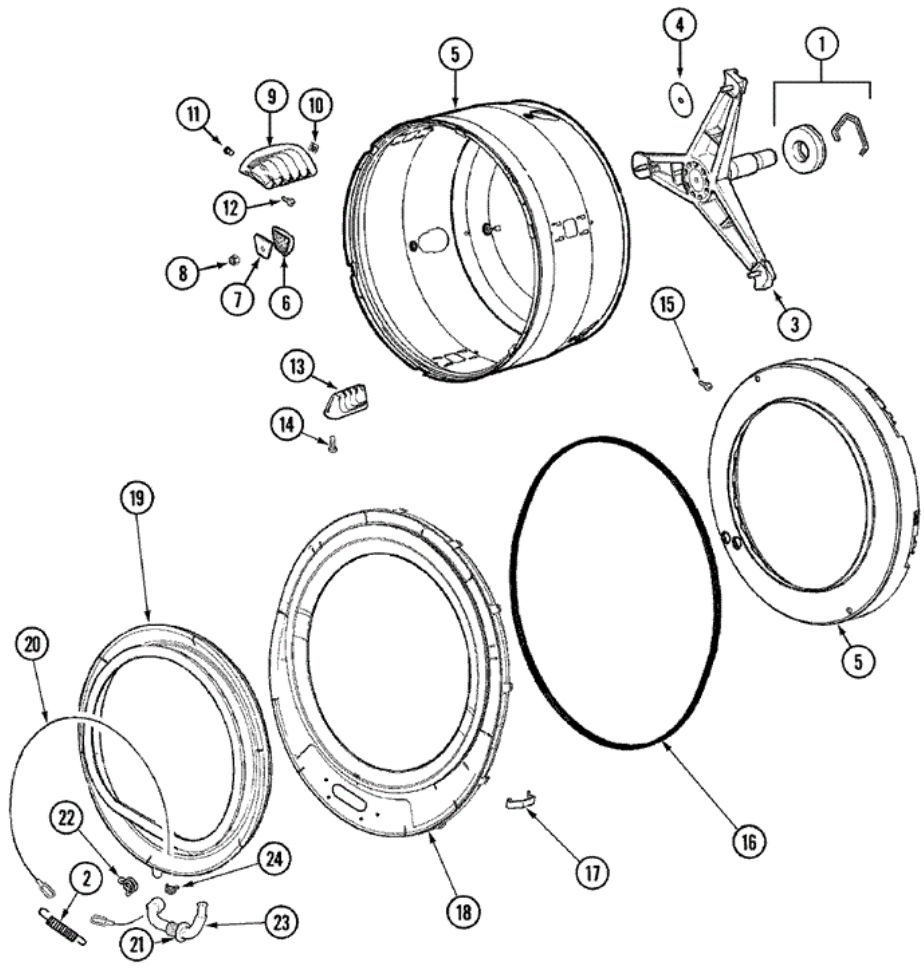


MAH4000AWW TINA

1	22002907	10	TUB ASSEMBLY
2	22002045	10	SWITCH, INERTIAL - UNBALANCE
3	22002300	10	SCREW
4	33002216	10	WIRE HARNESS, UNBALANCE /COMM
5	22001981	10	RING, RETAINING
6	22001991	10	BOLT
7	22002067	10	WASHER, COUNTER BALANCE
8	22002056	10	BOLT
9	22002102	10	WEIGHT, COUNTER BALANCE
10	22002083	10	HOSE, INJECTOR
11	22002052	10	CLAMP, INJECTOR HOSE
12	22002103	10	CLIP, U
13	22002004	10	DEFLECTOR, WATER
13	22002959	42	DEFLECTOR, WATER
14	22002006	10	CLIP
14	22002583	10	WIRE WRAP
15	22002065	10	NUT, COUNTER BALANCE
16	22002044	10	SWITCH, TUB DISPLACEMENT
17	22002061	10	SCREW
18	22002061	10	SCREW
18	22002797	10	CLIP, HOSE (SADDLE HORN)
19	22002010	10	HOSE, AIR DOME
19	22002799	10	CLIP, SNAP
20	202515	10	HOSE CLAMP - 1-1/16 INCH
21	22002793	10	HOSE, OUTLET W/FILTER (6 1/2`)
21	22002958	42	HOSE, OUTLET (TUB)
22	22002053	10	CLAMP, SUMP HOSE
23	22002579	10	FRONT WEIGHT BRACKET
24	22002008	10	STRAP
25	22002057	10	SCREW, SPINNER
26	22002055	10	WASHER, SPINNER SHAFT
26	22003936	89	WASHER (1 1/4`)
27	22001998	10	PULLEY, SPINNER

28	12001435	10	BELT KIT, DRIVE
29	22002011	10	CUSHION
30	22002791	10	HOSE/CLIP ASSY RECIRC (64 1/2`

MAH4000AWW TINA

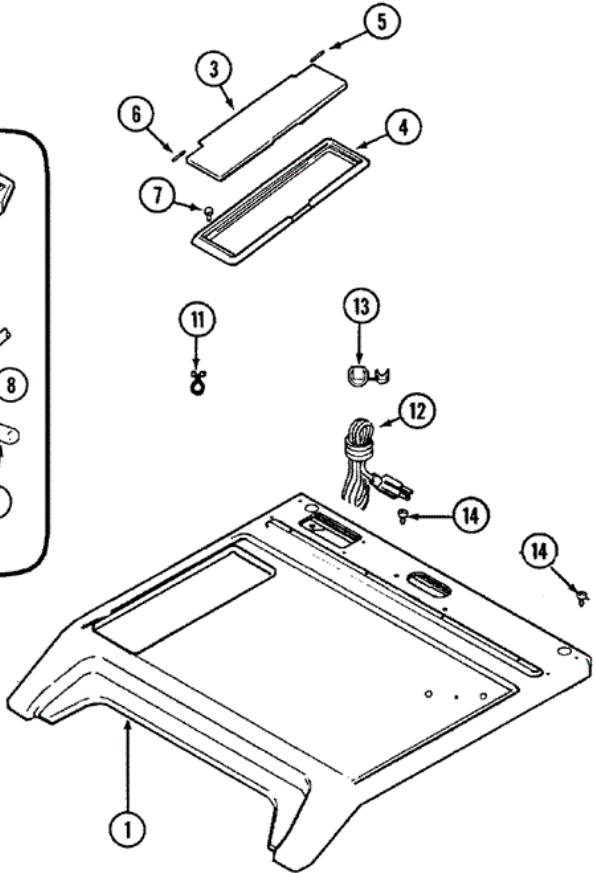
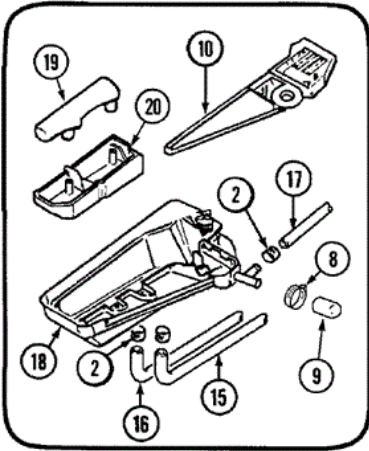




MAH4000AWW TINA

1	12001478	10	LIP SEAL SVC ASSY.
2	22002099	10	SPRING, TUB
3	22001994	10	SUPPORT ASSY., SPINNER
3	22002123	10	TUBE, MOLYKOTE
3	22002897	40	SUPPORT ASSY., SPINNER
4	22002023	10	WASHER, PLASTIC
5	22002115	10	SPINNER ASSY. (W/BALANCE RING)
6	22002021	10	WASHER, PROFILE
7	22002020	10	WASHER, SPINNER SUPPORT
8	22002122	10	NUT, SPINNER ATTACHMENT
9	22001985	10	BAFFLE, DRIP (REAR)
10	22002009	10	GROMMET, BAFFLE (REAR)
11	22001999	10	GROMMET, BAFFLE (FRT)
12	22002325	10	SCREW
13	22001986	10	BAFFLE, DRIP (FRONT)
14	22002059	10	SCREW
15	22002028	10	SCREW, BALANCE RING
16	22002077	10	SEAL, TUB COVER
17	22002050	10	CLIP, TUB TO COVER
18	22002238	10	COVER, TUB (W/SEAL)
18	22002961	42	COVER, TUB (W/SEAL) (ASP)
18	22003212	53	COVER, TUB (W/SEAL) (ASP)
19	22001978	10	BOOT, DOOR
19	12001772	53	KIT, DOOR BOOT W/DRAIN
20	22002105	10	WIRE, BOOT CLAMP
21	22003074	53	GUARD, HOSE
22	22003072	53	CLAMP, HOSE DOUBLE WIRE
23	22003071	53	DOOR BOOT DRAIN HOSE
24	22003073	53	CLAMP, HOSE DOUBLE WIRE

MAH4000AWW TAPA





MAH4000AWW TAPA

1	22002116	10	COVER, TOP (WHT)
1	22003584	67	COVER, TOP (WHT-AS PK)
2	205161	10	CLAMP - 15/16``
3	22002288	10	LID, DISPENSER (WHT)
4	22002290	10	BEZEL, DISPENSER (WHT)
5	Y912678	10	PIN, HINGE (LONG)
6	Y912679	10	PIN, HINGE (SHORT)
7	22002060	10	SCREW, BEZEL
7	22003681	58	SCREW, DISPENSER LID
8	22001984	10	CLAMP, DRAIN HOSE
9	22002796	10	CAP
9	W10124350	58	NOT REQUIRED PART OR SEE NOTE
10	22002555	10	FLUME, DISPENSER
10	22003322	58	TOP, DISPENSER (FLUME)
11	212276	10	SCREW
11	22002027	10	WIRE TIE, TWIST LOCK
12	22001178	10	CORD, POWER
13	211881	10	GROMMET, CORD
14	912365	10	SCREW
15	22002551	10	HOSE, BLEACH
16	22002552	10	HOSE, FABRIC SOFTENER----NA
17	22002553	10	HOSE, DETERGENT
17	22003457	58	HOSE, DETERGENT
18	22002768	10	DISPENSER BOTTOM
18	22003723	58	BOTTOM, DISPENSER
19	22002266	10	CAP, SIPHON
20	22002265	10	CUP, SIPHON