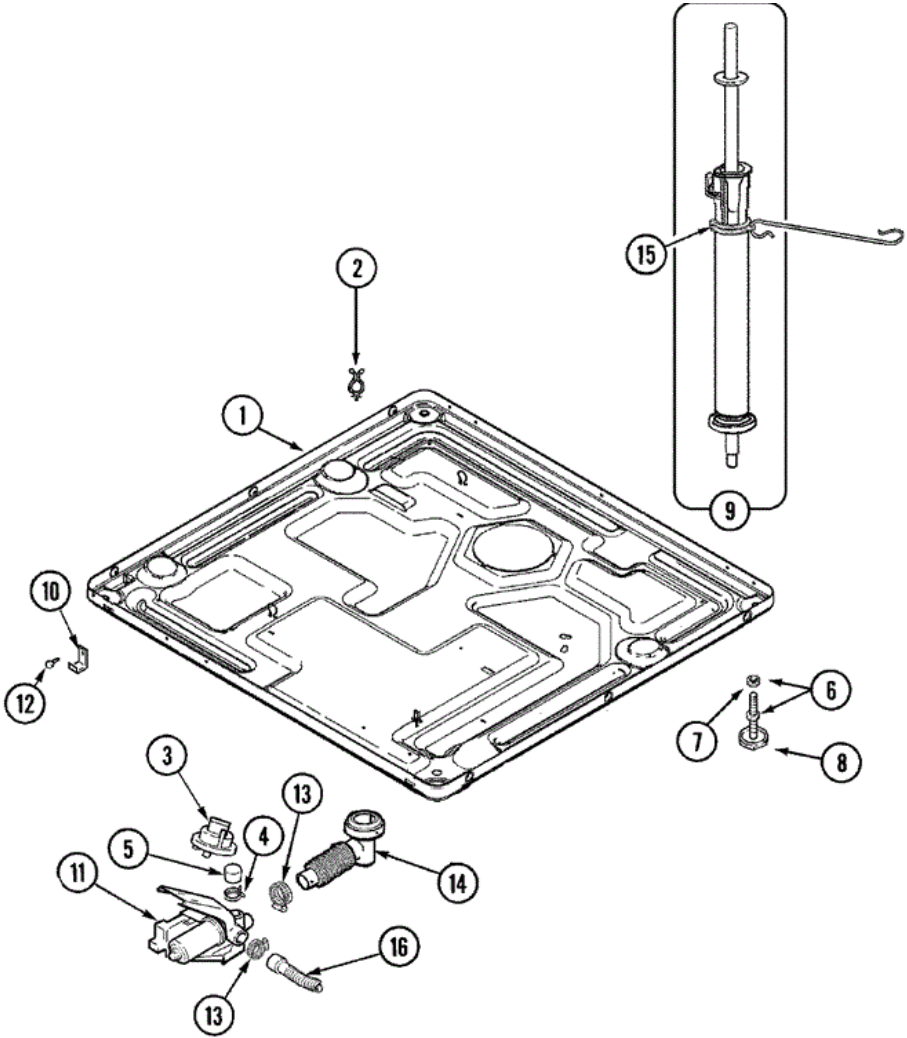


MAH7500AWQ BASE





MAH7500AWQ BASE

1	212276	10	SCREW
1	22002014	10	CLIP
1	22003435	10	BASE, ASSEMBLY
1	22003580	67	BASE, ASSEMBLY
1	22003605	72	BASE WELD ASSEMBLY
2	22002852	10	RETAINER, WIRE
2	22003298	10	RETAINER, WIRE
3	22002994	10	SWITCH, PRESSURE
3	22003265	10	BAG, PLASTIC W/DRAWSTRING
3	22003728	74	SWITCH, PRESSURE
4	22002853	10	CLAMP, HOSE
5	22003268	10	CAP, RUBBER
6	22001915	10	ADJUSTABLE LEG & NUT
7	Y052740	10	NUT
8	210684	10	FOOT, RUBBER
9	22001988	10	STRUT ASSY-REAR
10	22002239	10	CLIP, LOWER FRONT PANEL
11	22003244	10	PUMP
11	25001012	10	PUMP ISOLATOR BRACKET
12	22001995	10	SCREW
13	202515	10	HOSE CLAMP - 1-1/16 INCH
14	22003262	10	HOSE, TUB TO PUMP
15	22003080	10	CLIP, AIRDOME HOSE
16	12001807	10	KIT NC, DRAIN HOSE REPLACEMENT

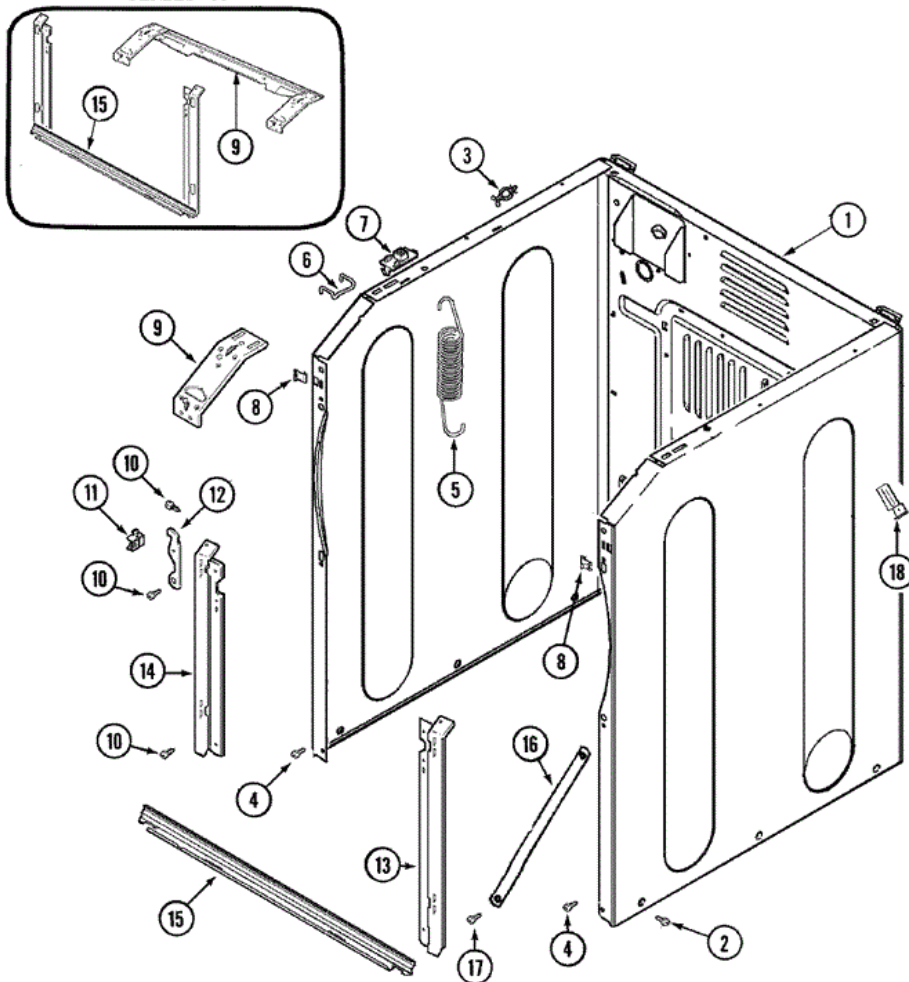
Distribuidor Autorizado

SurteRápido.com

Venta de Refacciones
Electrodomesticas

MAH750AWQ GABINETE

SERIES 69





MAH7500AWQ GABINETE

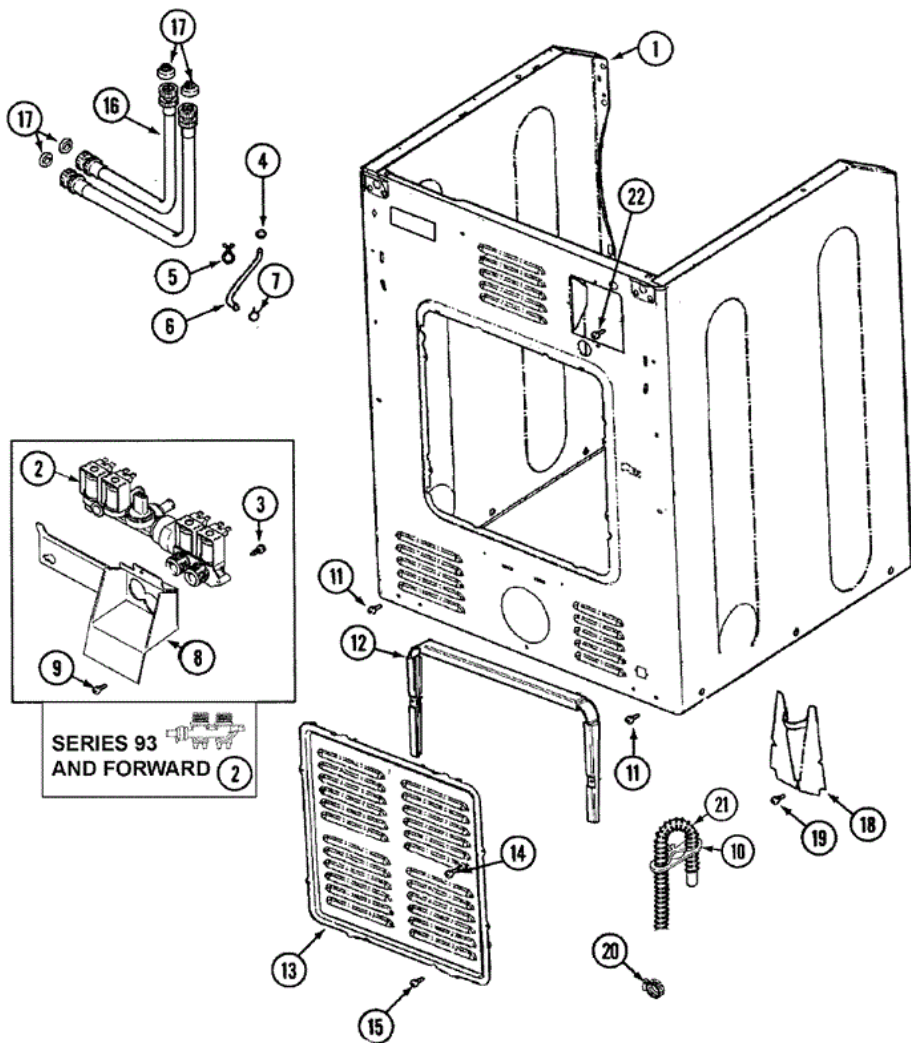
1	22002293	10	INSULATION, CABINET
1	22002659	10	CABINET ASSY. (BSQ)
1	22001995	67	SCREW
1	22003367	67	HINGE, PLASTIC
1	22003582	67	CABINET, ASSY. (WHT-AS PK)
1	22003583	67	CABINET, ASSY. (BSQ-AS PK)
1	22003640	72	CABINET ASSY. (BISQUE AS PK)
2	213007	10	SCREW, CABINET
2	22002013	10	STOP, SHIPPING
2	22003409	67	SCREW----NA
3	22003298	10	RETAINER, WIRE
4	22001995	10	SCREW
5	22003254	10	SPRING, CABINET
6	22002297	10	SUPPORT, SPRING
7	22001997	10	SPACER, TOP COVER
8	22002049	10	CLIP
9	22002090	10	BRACE, CORNER
9	22002292	10	BRACE, CORNER (LT)
9	22003637	69	BRACE ASSEMBLY, TOP CROSS
10	22001995	10	SCREW
11	22002001	10	SUPPORT, HINGE
12	22002247	10	HOOK, SECURITY
13	22002034	10	BRACKET, SHROUD SUPPORT (RT)
14	22002985	10	BRACKET, SHROUD (LT)
15	22001993	10	BRIDGE, SHROUD SUPPORT
15	22003652	69	SHROUD SUPPORT ASSEMBLY
16	22002259	10	BRACE, CROSS
17	22001995	10	SCREW
18	22001996	10	SCREW
18	22002178	10	BRACKET, WATER SWITCH

Distribuidor Autorizado

SurteRápido.com

Venta de Refacciones
Electrodomesticas

MAH750AWQ GABINETE



SERIES 93
AND FORWARD 2



MAH7500AWQ GABINETE

1	22002445	10	LABEL, SAFETY
1	22002659	10	CABINET ASSY. (BSQ)
1	22003583	67	CABINET, ASSY. (BSQ-AS PK)
1	22003640	72	CABINET ASSY. (BISQUE AS PK)
2	205161	10	CLAMP - 15/16``
2	22003245	10	VALVE, WATER
2	22003834	93	WATER VALVE W` THERMISTOR
3	22002436	10	SCREW
4	22002054	10	CLAMP, STEPLESS
5	22002027	10	WIRE TIE, TWIST LOCK
6	22002083	10	HOSE, INJECTOR
6	35-2890	10	CABLE TIE
7	216169	10	CLAMP,HOSE-INJEC.HOSE TO VALVE
8	22003263	10	SCREW
8	33002212	10	BRACKET, WATER VALVE
9	22001996	10	SCREW
10	22002892	10	RETAINER, DRAIN HOSE
11	22001995	10	SCREW
12	22002022	10	SPACER, ACCESS PANEL
13	22002092	10	PANEL, ACCESS
13	22004355	11	REAR ACCESS PANEL
14	22002295	10	SCREW
14	22002925	11	SCREW
15	22001996	10	SCREW
16	33-7046	10	HOSE, 5` INLET
16	33-7891	10	HOSE, 4` INLET
17	22002229	10	STRAINER
17	Y013783	10	GASKET, INLET HOSE
18	22002093	10	COVER, DRAIN HOSE
19	22001995	10	SCREW
20	22001984	10	CLAMP, DRAIN HOSE
21	12001807	10	KIT NC, DRAIN HOSE REPLACEMENT
21	22002932	10	CLIP, DRAIN HOSE

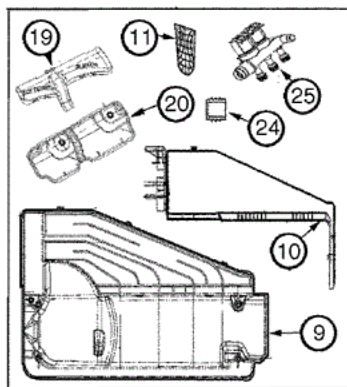
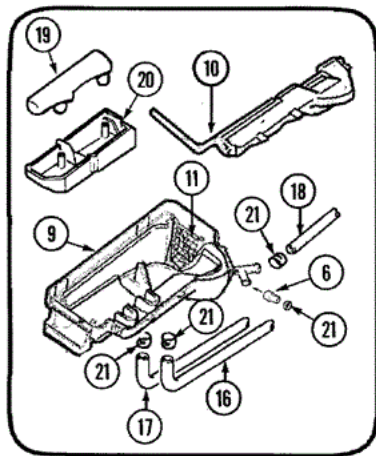
21	35-2890	10	CABLE TIE
22	33001245	10	SCREW----NA

Distribuidor Autorizado

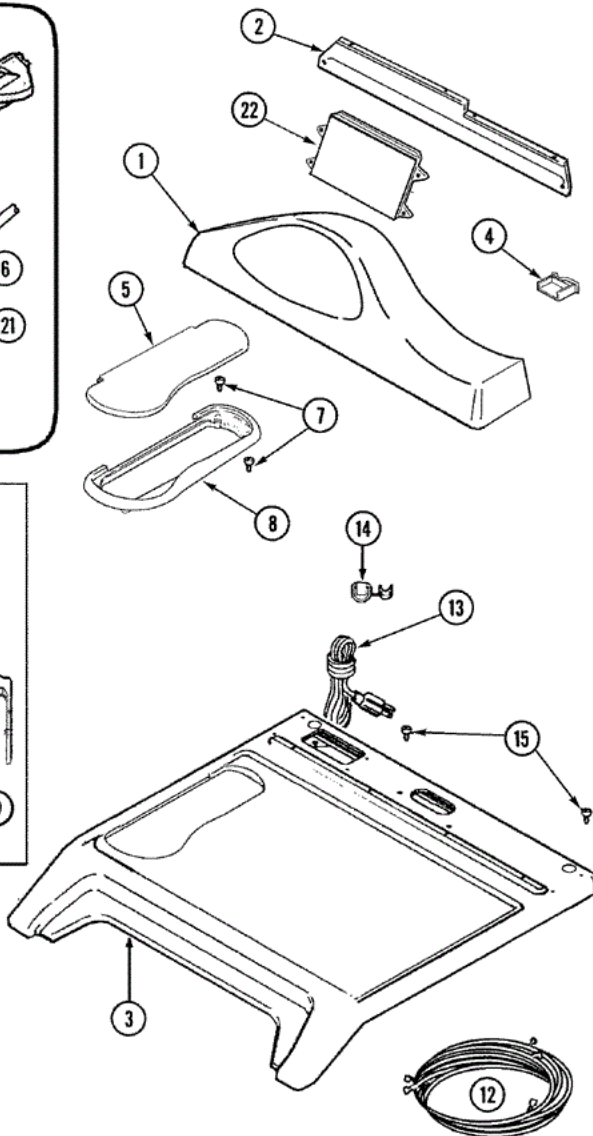
SurteRápido.com

Venta de Refacciones
Electrodomesticas

MAH750AWQ TABLERO



Dispenser at Series 87



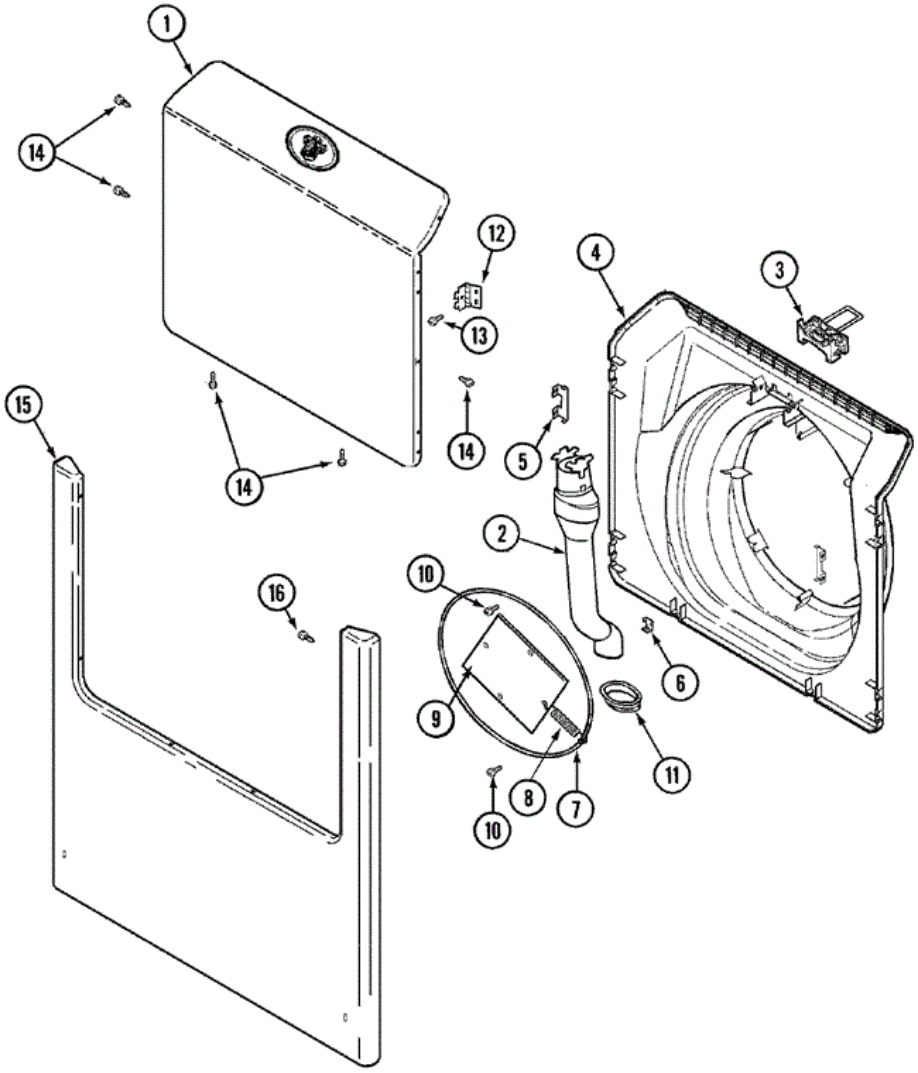


MAH7500AWQ TABLERO

1	22003241	10	CONSOLE, LCD W/MEMBRANE (BSQ)
1	22003806	10	MEDALLION, CONSOLE (WHT)
1	22003807	10	MEDALLION, CONSOLE (BSQ)
1	22004443	B4	LCD CONSOLE ASSY-BSQ - AS PACK
2	22003255	10	PANEL, BACK
2	Y22002339	10	SCREW
2	22003581	67	BACK, CONSOLE PANEL
2	22002061	68	SCREW
2	22002061	70	SCREW
3	22002662	10	COVER, TOP (BSQ)
3	22003585	67	COVER, TOP (BSQ-AS PK)
4	22003323	10	COVER, CONSOLE PLUG (BSQ)
5	22003278	10	LID, DISPENSER (BSQ)
6	22003260	10	EXTENSION, NOZZLE
7	22003681	10	SCREW, DISPENSER LID
8	22003277	10	BEZEL, DISPENSER (BSQ)
9	202515	10	HOSE CLAMP - 1-1/16 INCH
9	22003320	10	BOTTOM, DISPENSER ASSY.
9	22003844	87	DISPENSER BOTTOM
10	22003322	10	TOP, DISPENSER (FLUME)
10	22003845	87	DISPENSER COVER (FLUME)
11	22003321	10	GRID, DISPENSER
12	22003281	10	HARNESS, WIRE
12	22003283	10	HARNESS, UNBALANCE SWITCH
12	22003425	10	FILTER, AC LINE
12	22003798	74	WIRE HARNESS
12	22002782	88	PAD, FOAM (SOUND DAMPENR)
12	22003511	88	INSULATION
12	22003817	88	SCREW, SERRATED WASHER HEAD HX
12	22003851	88	CONTROL ASSY., MOTOR
12	22003855	88	HARNESS, MOTOR/MOTOR CONTROL
12	22003856	88	MOTOR, VARIABLE SPEED
12	22003857	88	WIRE HARNESS

12	22003858	88	EMI SUPPRESSION FILTER, 16A
12	22004047	98	HARNESS, MOTOR/MOTOR CONTROL
12	22004315	A7	WIRE HARNESS
12	22004463	B4	HARNESS,WIRE
12	2205144	B8	HARNESS, WIRE
12	2205144	C1	HARNESS, WIRE
13	22003062	10	CORD, POWER (AS WRAPPED)
13	22003853	88	POWER CORD AS WRAPPED
14	211881	10	GROMMET, CORD
15	912365	10	SCREW
16	22002551	10	HOSE, BLEACH
17	22002552	10	HOSE, FABRIC SOFTENER----NA
18	22003457	10	HOSE, DETERGENT
19	22002266	10	CAP, SIPHON
19	22004082	10	SEAL INSERTION TOOL
19	22003849	87	SIPHON CAP
20	22002265	10	CUP, SIPHON
20	22003848	87	SIPHON CUP
21	205161	10	CLAMP - 15/16``
21	22001984	10	CLAMP, DRAIN HOSE
22	22003315	10	CONTROL BOARD/MTG BRACKET-LCD
22	22003609	70	CONTROL BOARD,LCD W/MTG(ASPK)
22	22003609	73	CONTROL BOARD,LCD W/MTG(ASPK)
22	22003884	81	CONTROL BOARD (AS PACK)
22	22004162	A3	CONTROL BOARD (AS PACK)
22	22004317	A7	CONTROL BOARD - LCD AS PK-SAM
22	22004317	B1	CONTROL BOARD - LCD AS PK-SAM
23	22003835	87	DISPENSER ASSEMBLY
25	12001930	87	DISPENSER VALVE ASY KIT
26	22003328	10	TAG, ENERGY (LCD)
27	16010061	10	MANUAL KIT, SERVICE
28	22003309	10	SCRIPT, VIDEO (FRCH & SPN LCD)
28	12001927	87	3 TUBE UP-DATE KIT W/.69 CAP
29	22003307	10	VIDEO, USE & CARE (LCD)
30	22001640	87	CLAMP, HOSE
31	22003832	87	FILL HOSE, DISPENSER
32	22003833	87	HOSE, TUB SHOWER

MAH7500AWQ PUERTA

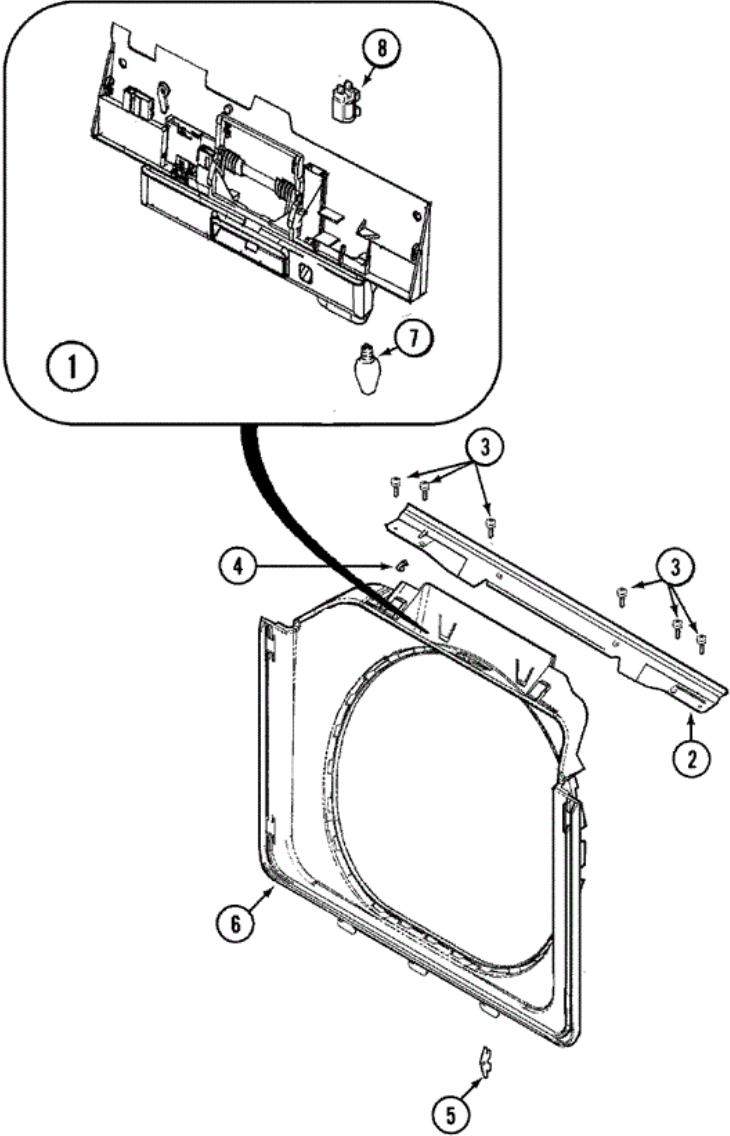




MAH7500AWQ PUERTA

1	22003243	10	DOOR, OUTER W/MEDALLION (BSQ)
1	22003328	10	TAG, ENERGY (LCD)
2	22002990	10	VENT TUBE ASSEMBLY
2	22003246	10	ASSY, DOOR LATCH
3	22003269	10	DOOR, LOCK HOOP ASSEMBLY
4	22003279	10	DOOR, INNER (BSQ)
5	22002038	10	CLIP, DOOR (DOUBLE)
6	22002039	10	CLIP, DOOR (SINGLE)
7	22002104	10	WIREFRAME
8	22002356	10	SPRING, PLATE
9	22002094	10	PLATE
10	22002007	10	SCREW
11	22003075	10	GROMMET, VENT TUBE
12	22002000	10	HINGE, DOOR
12	22002612	10	COVER, HINGE (BSQ)
13	22002062	10	SCREW
14	33002351	10	SCREW (NO.8-18 OUTER DOOR (BSQ)
15	22001995	10	SCREW
15	22002239	10	CLIP, LOWER FRONT PANEL
15	22002305	10	INSULATION, FRONT PANEL
15	22002663	10	PANEL, FRONT (BSQ)
15	22004428	10	SEAL, EXPORT
16	22002012	10	SCREW, HINGE
17	22002244	10	CLIP, GROUNDING

MAH750AWQ SWTCH PUERTA





MAH7500AWQ SWTCH PUERTA

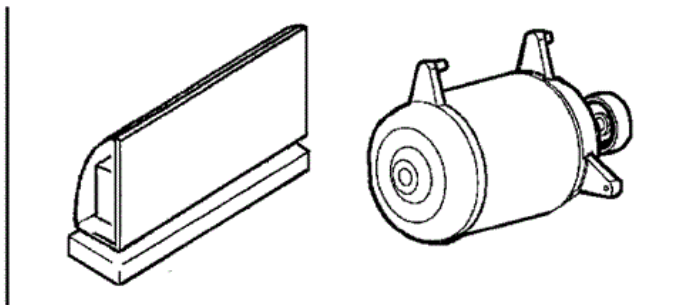
1	22003593	10	ASSY., DOOR LATCH
2	22002015	10	SUPPORT, DOOR LOCK
2	22003637	69	BRACE ASSEMBLY, TOP CROSS
3	22001995	10	SCREW
4	22002014	10	CLIP
5	22002612	10	COVER, HINGE (BSQ)
5	33001787	75	SCREW, HINGE
5	33002349	75	COVER, HINGE HOLE (BSQ)
6	22002665	10	SHROUD (BSQ)----NA
7	22002263	10	LAMP (10 WATT)
8	22002433	10	BULB HOLDER ASSEMBLY

Distribuidor Autorizado

SurteRápido.com









Venta de Refacciones
Electrodomesticas

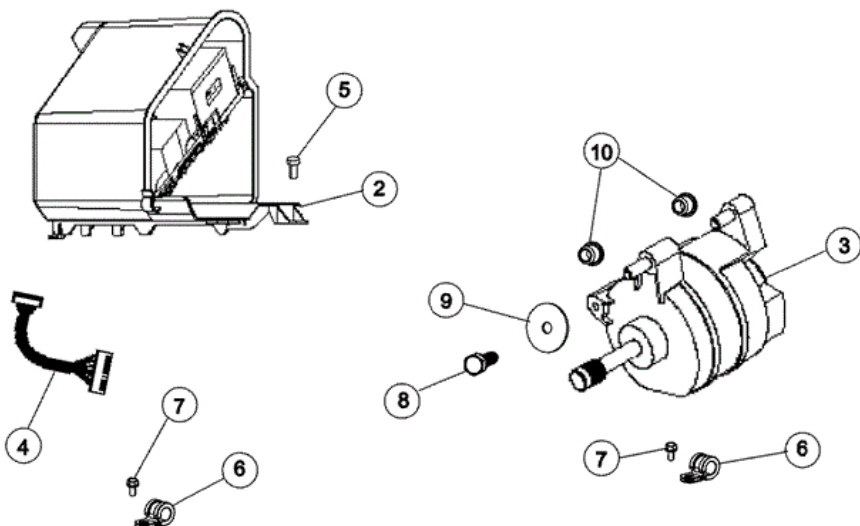
MAH750AWQ MOTOR



1 USE FOR ITEM 2 PRIOR TO SERIES 88

ITEM 1 - KIT CONTAINS:

 22002049 Motor with shaft	 22004046 Motor Control Board	 22004047 Motor Harness	 22003854 AC Line Filter	 22004102 1" Caps (2)	 22002300 1" Cap for Motor	 22004101 Lower Jumper Wire Harness	 22004103 Ground Screw
--	---	---	--	---	--	--	--





MAH7500AWQ MOTOR

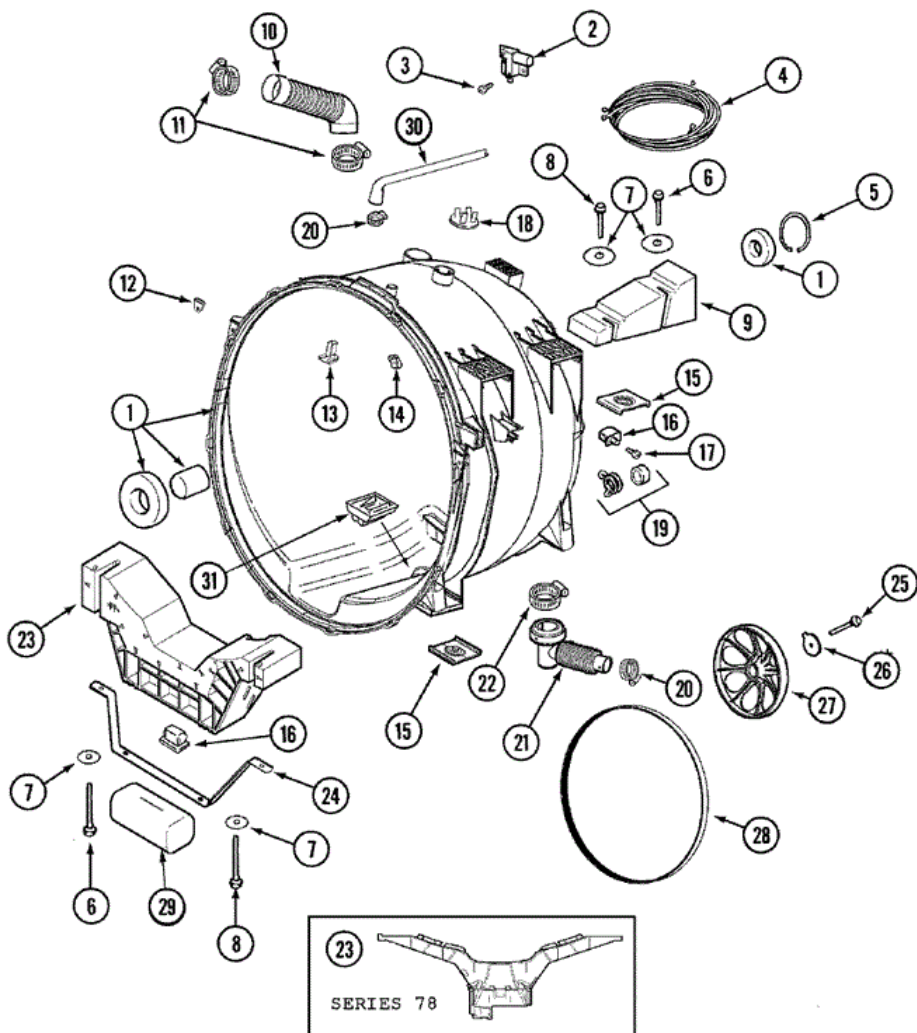
1	12002039	10	NEPTUNE MOTOR CONVERSION KIT
2	22004046	88	CONTROL ASSY., MOTOR
2	22001995	B8	SCREW
2	22004473	B8	MOTOR CONTROL ASSEMBLY
2	22001995	C1	SCREW
2	22004473	C1	MOTOR CONTROL ASSEMBLY
2	22001995	C3	SCREW
2	22004473	C3	MOTOR CONTROL ASSEMBLY
3	22003442	10	MOTOR, (156 T) 60HZ 120V
3	22003856	88	MOTOR, VARIABLE SPEED
4	22003855	88	HARNESS, MOTOR/MOTOR CONTROL
4	2205144	C1	HARNESS, WIRE
4	2205144	C3	HARNESS, WIRE
5	212276	10	SCREW
6	22002173	10	CLIP, WIRE HARNESS
7	Y310632	10	SCREW
8	22002058	10	BOLT, MOTOR
8	22003686	73	BOLT, MOTOR
9	22002086	10	ADJUSTER, BELT TENSION
10	22003226	10	ISOLATOR, MOTOR (POLY)

Distribuidor Autorizado

SurteRápido.com

Venta de Refacciones
Electrodomesticas

MAH7500AWQ TINA



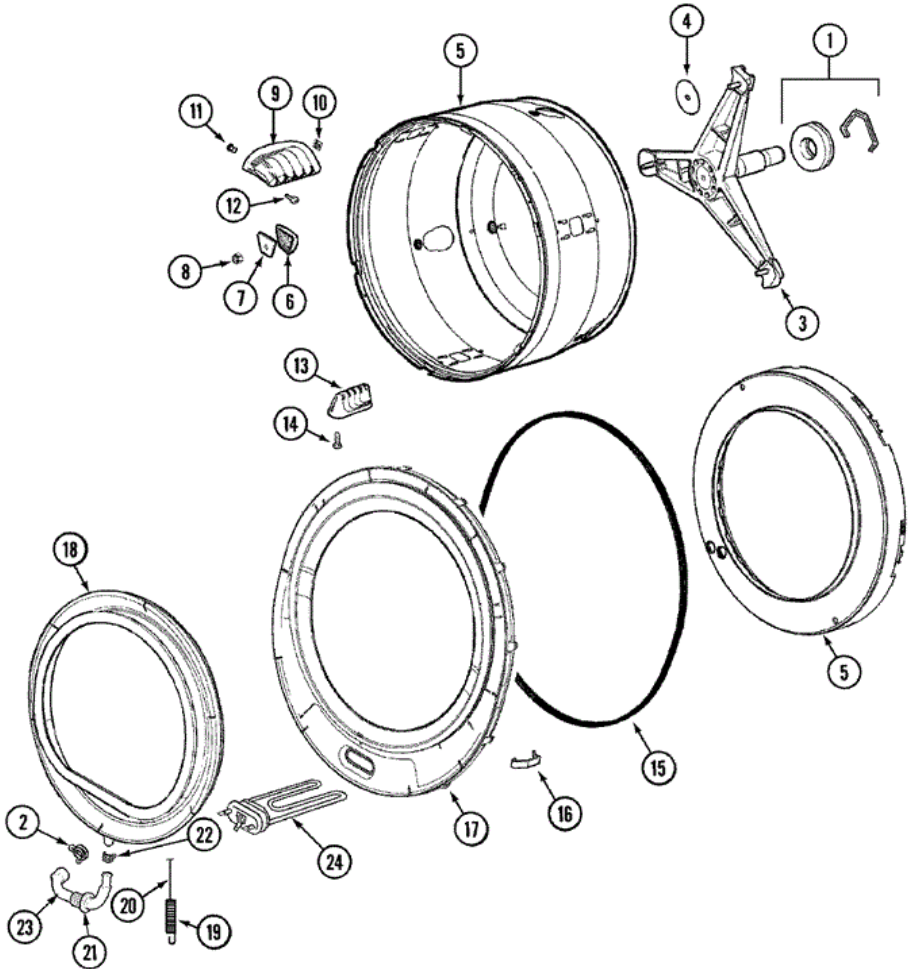


MAH7500AWQ TINA

1	22003326	10	CLIP, HEATER HARNESS TO TUB
1	22003413	10	OUTER TUB ASSY.(NC AS PACKED)
1	22004080	A1	OUTER TUB ASSEMBLY AS-PK KIT
1	22004465	B5	OUTER TUB ASSY, AS PACK
2	22003302	10	SWITCH, INTERNAL UNBALANCE
2	22003302	19	SWITCH, INTERNAL UNBALANCE
3	22002300	10	SCREW
3	22002061	19	SCREW
4	22003264	10	TIE, CABLE
4	22003271	10	HARNESS, UNBALANCE SWITCH
4	22003829	78	HARNESS, UPPER SUB ASSY
4	22003829	85	HARNESS, UPPER SUB ASSY
4	22003855	88	HARNESS, MOTOR/MOTOR CONTROL
4	22003858	88	EMI SUPPRESSION FILTER, 16A
5	22001981	10	RING, RETAINING
6	22001991	10	BOLT
6	22003828	85	PLATED BOLT, DOUBLE SEMS SU
6	33002973	B6	SCREW, NO.9-15 X 1.00 HX WS
7	22002067	10	WASHER, COUNTER BALANCE
7	22003828	78	PLATED BOLT, DOUBLE SEMS SU
8	22002056	10	BOLT
8	22003828	85	PLATED BOLT, DOUBLE SEMS SU
8	33002973	B6	SCREW, NO.9-15 X 1.00 HX WS
9	22002102	10	WEIGHT, COUNTER BALANCE
10	22002083	10	HOSE, INJECTOR
11	22002052	10	CLAMP, INJECTOR HOSE
12	22002103	10	CLIP, U
13	22002959	10	DEFLECTOR, WATER
14	22002006	10	CLIP
14	22002583	10	WIRE WRAP
14	22003326	10	CLIP, HEATER HARNESS TO TUB
15	22002065	10	NUT, COUNTER BALANCE
16	22002044	10	SWITCH, TUB DISPLACEMENT

16	22002044	19	SWITCH, TUB DISPLACEMENT
17	22002061	10	SCREW
18	22002061	10	SCREW
18	22002797	10	CLIP, HOSE (SADDLE HORN)
19	22003261	10	PLUG, OUTER TUB
19	22003295	10	CLAMP, OUTER TUB PLUG
20	205161	10	CLAMP - 15/16``
21	22003262	10	HOSE, TUB TO PUMP
22	22002053	10	CLAMP, SUMP HOSE
23	22003253	10	BRACKET, FRONT WEIGHT
23	22003826	78	LOWER BRACKET
23	22003826	85	LOWER BRACKET
23	22004472	B5	BRACKET, LOWER
24	22002008	10	STRAP
25	22002057	10	SCREW, SPINNER
26	22002055	10	WASHER, SPINNER SHAFT
26	22003936	89	WASHER (1 1/4``)
27	22001998	10	PULLEY, SPINNER
28	12001435	10	BELT KIT, DRIVE
29	22002011	10	CUSHION
29	22003827	78	CUSHION
29	22003827	85	CUSHION
30	22003259	10	HOSE, SHOWER (9 1/2``)
30	22003857	88	WIRE HARNESS
30	22003858	88	EMI SUPPRESSION FILTER, 16A
31	22002058	10	BOLT, MOTOR
31	22003257	10	CAP, SUMP
31	22003263	10	SCREW
31	22003686	73	BOLT, MOTOR
32	22002086	10	ADJUSTER, BELT TENSION
33	22002014	10	CLIP
34	22002019	10	SCREW

MAH750AWQ EMPAQUES





MAH7500AWQ EMPAQUES

1	12001478	10	LIP SEAL SVC ASSY.
1	12002022	A1	LIP SEAL KIT
2	22003073	10	CLAMP, HOSE DOUBLE WIRE
3	22002123	10	TUBE, MOLYKOTE
3	22002897	10	SUPPORT ASSY., SPINNER
3	22003925	89	SPINNER SUPPORT ASSY AS PACK
3	22004081	A1	SPINNER SUPPORT ASSY AS-PK KIT
3	22004108	A1	O RING
4	22002023	10	WASHER, PLASTIC
5	22002115	10	SPINNER ASSY. (W/BALANCE RING)
6	22002482	10	WASHER, PROFILE
7	22002020	10	WASHER, SPINNER SUPPORT
8	22002122	10	NUT, SPINNER ATTACHMENT
9	22001985	10	BAFFLE, DRIP (REAR)
10	22002009	10	GROMMET, BAFFLE (REAR)
11	22001999	10	GROMMET, BAFFLE (FRT)
12	22002325	10	SCREW
13	22001986	10	BAFFLE, DRIP (FRONT)
15	22002077	10	SEAL, TUB COVER
16	22002050	10	CLIP, TUB TO COVER
17	22003326	10	CLIP, HEATER HARNESS TO TUB
17	22003414	10	TUB COVER ASPK (W/HEATER HOLE)
17	22004475	A5	TUB COVER ASSEMBLY W'HEATER
18	12001772	10	KIT, DOOR BOOT W/DRAIN
18	22003081	10	PLUG
19	22002099	10	SPRING, TUB
20	22002327	10	BOOT CABLE CLAMP
21	22003074	10	GUARD, HOSE
22	22003072	10	CLAMP, HOSE DOUBLE WIRE
23	22003071	10	DOOR BOOT DRAIN HOSE
24	22003252	10	HEATER ASSEMBLY
24	22003311	10	THERMISTOR, HEATER