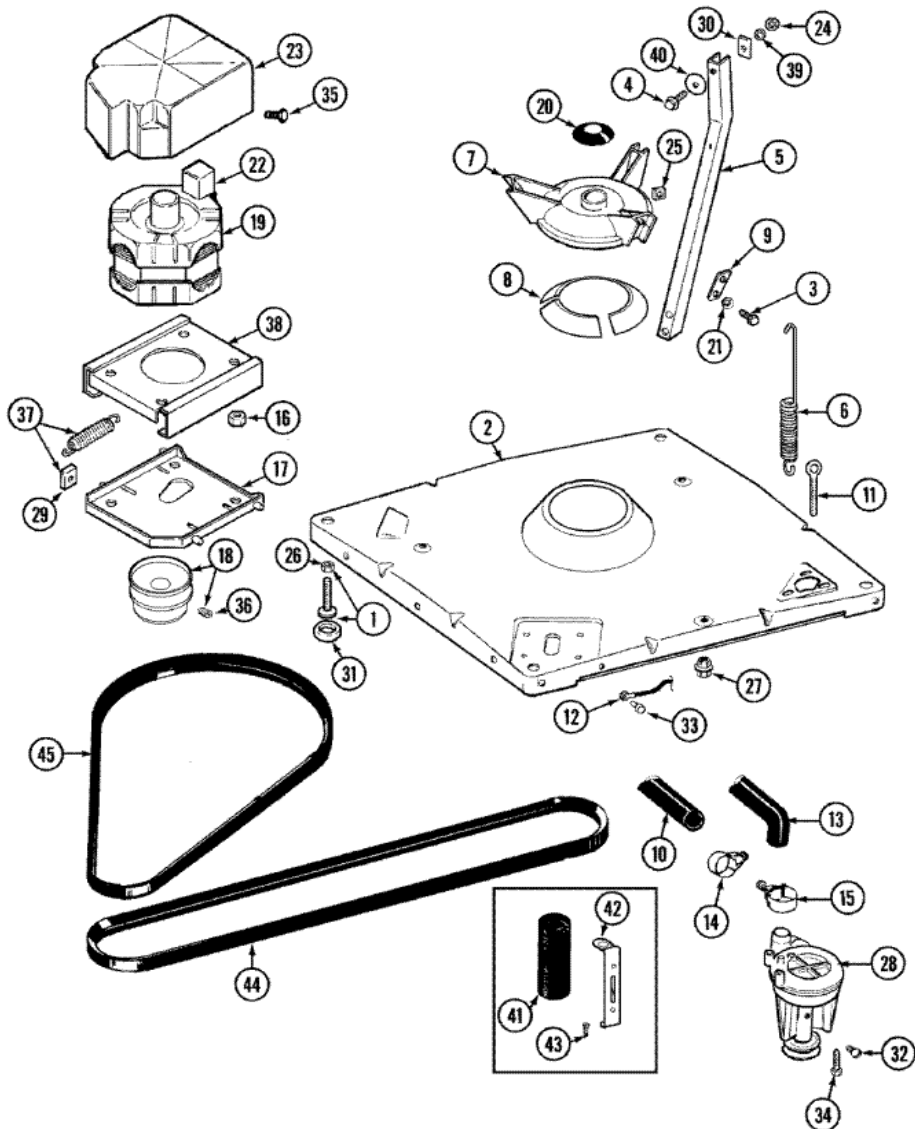


Distribuidor Autorizado

SurteRápido.com

Venta de Refacciones
Electrodomesticas

MAT12CSAAW BASE





MAT12CSAAW BASE

1	22003428	LEG, ADJUSTABLE (W/NUT)
2	22002150	BASE (W/DAMPER PADS)
3	Y015627	SCREW, HEX HD CAP 5/16 X 5/8 (S/P)
4	200744	BOLT & GASKET ASSY.(SHORT) (S/P)
4	205254	BOLT & GASKET ASSEMBLY (LONG) (S/P)
5	213100	DESCONTINUADO
6	22001300	SPRING, CENTERING
7	2-3725	DAMPER W/BOLT & CLIP
8	203956	DAMPER PAD KIT (W/POLY LUBE)
9	213073	WASHER, DOUBLE (S/P)
10	22001816	HOSE, DRAIN (S/P)
11	216416	BOLT, EYE/CENTERING SPRING (S/P)
12	901220	WIRE, GROUND (S/P)
13	Y212989	HOSE, OUTER TUB TO PUMP (S/P)
14	22001820	CLAMP, HOSE (S/P)
15	22001640	CLAMP, HOSE (S/P)
16	Y311426	NUT, WASHERED LOCK (S/P)
17	22001301	MOUNT, MOTOR LOWER-ASSEMBLY (S/P)
18	2-816	PULLEY, MOTOR (W/SET SCREW)
19	12002351	MOTOR (ONE SPEED)
20	22002954	DEFLECTOR, WATER (W/ADHESIVE) (S/P)
21	486009	WASHER, LOCK (BRACE) (S/P)
22	206505	DESCONTINUADO
22	205131	SWITCH, MOTOR START (S/P)
22	205132	SWITCH, MOTOR START (S/P)
23	215098	SHIELD, MOTOR
24	Y052734	NUT (S/P)
25	Y052785	NUT, BRACE TO DAMPER (S/P)
26	210385	NUT, LOCK (S/P)
27	211949	NUT, EYEBOLT (S/P)
28	2-2203	PUMP AS PAK
29	2-5000	GLIDE KIT (4 W/POLY LUBE)
30	212979	WASHER, TUB BRACE (S/P)

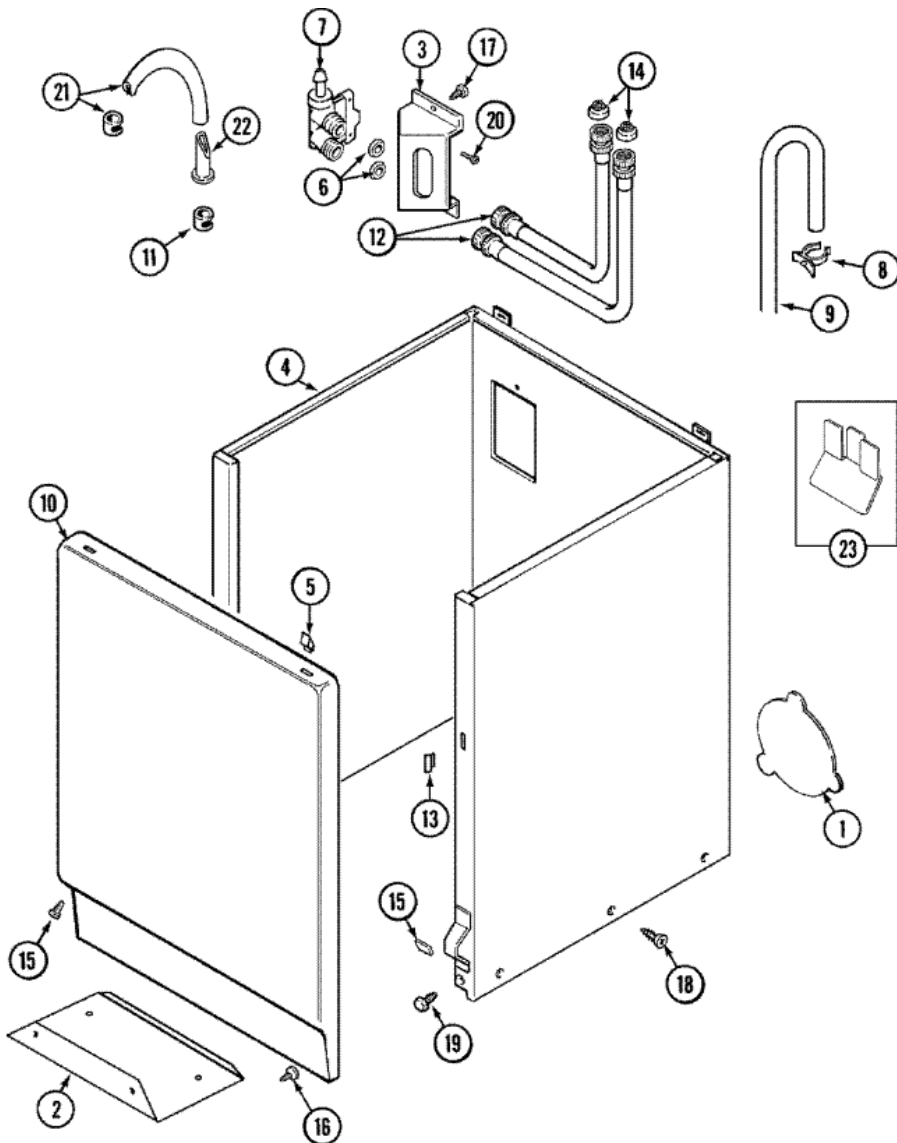
31	210684	FOOT, RUBBER (S/P)
32	Y015408	SCREW, BEARING INSERT (S/P)
33	210186	DESCONTINUADO
34	211880	SCREW, HEX HD No.10 X 1/2 INC (S/P)
35	213121	SCREW (S/P)
36	Y053241	SET SCREW, PULLEY (S/P)
37	2-5000	GLIDE & SPRING KIT
38	214956	MOUNT, MOTOR/UPPER (S/P)
39	Y054867	WASHER, LOCK (S/P)
40	211100	WASHER, CUSHION (S/P)
44	2-11124	V BELT, PUMP
45	2-11125	V BELT, DRIVE PULLEY

Distribuidor Autorizado

SurteRápido.com

Venta de Refacciones
Electrodomesticas

MAT12CSAAW GABINETE

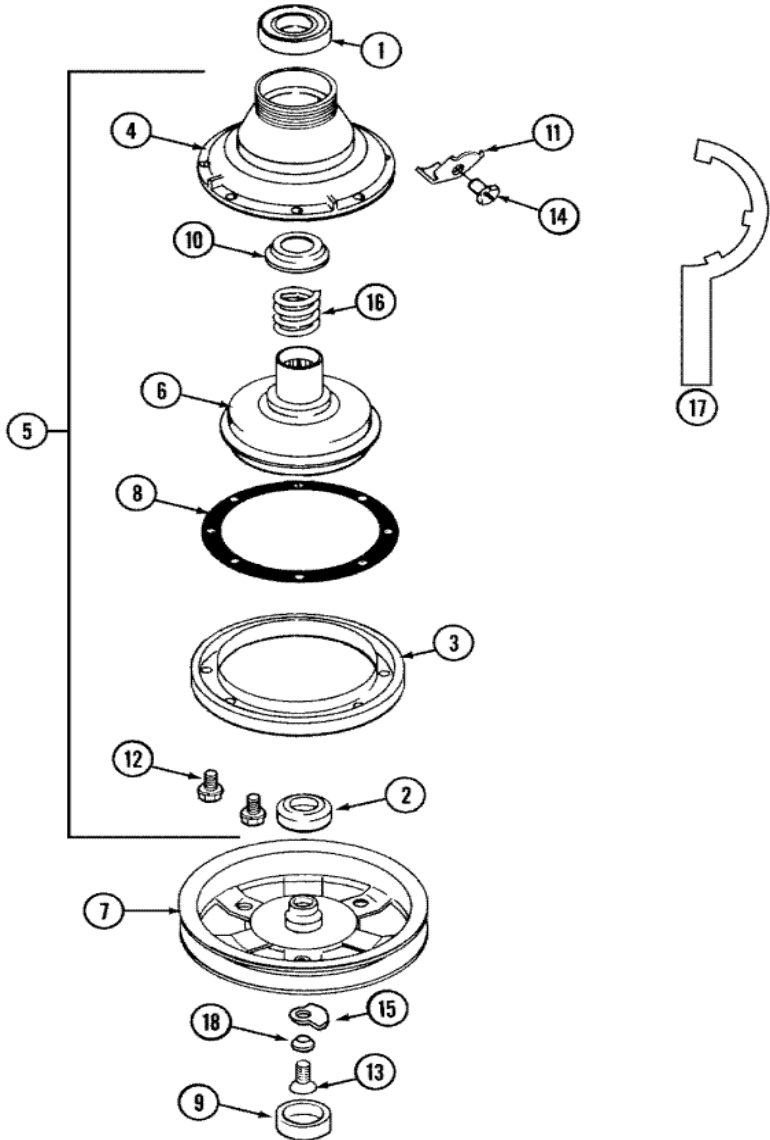




MAT12CSAAW GABINETE

1	22002924	PLATE, ACCESS (W/HOLE) (S/P)
1	211878	PLATE, ACCESS (S/P)
2	213846	GUARD, BELT (S/P)
3	22002361	BRACKET, WATER VALVE (S/P)
3	22003217	SCREW, BRACKET TO CABINET (S/P)
4	22001995	SCREW (S/P)
4	22004425	CABINET (WHT) (S/P)
4	22002381	V-BRACKET (S/P)
4	22002382	FASTENER, V-BRACKET (S/P)
5	22001650	FASTENER, SPRING
6	Y013783	GASKET, INLET HOSE (S/P)
7	22001604	VALVE, WATER 120V 60HZ (S/P)
7	489503	CLAMP - 15/16`` (S/P)
8	22002765	CLIP, HOSE (S/P)
9	22001816	HOSE, DRAIN (S/P)
9	22003410	HOSE, DRAIN
9	22003814	RETAINER, DRAIN HOSE (S/P)
10	22002366	PANEL, FRONT (WHT) (S/P)
11	489503	CLAMP - 15/16`` (S/P)
12	202860	HOSE, INLET ASSY. (S/P)
13	22002331	SPACER, FRONT PANEL (S/P)
14	12001413	SCREEN WASHER, INLET HOSE (S/P)
15	204439	FRONT PANEL BRACKET/FASTENER
15	22001496	SCREW, TORX (S/P)
16	211294	SCREW (S/P)
18	213007	SCREW, CABINET (S/P)
19	213121	SCREW (S/P)
19	213122	DESCONTINUADO
20	Y313561	DESCONTINUADO
21	22001954	INJECTOR HOSE & BACKFLOW ASSY. (S/P)
22	22001900	PREVENTER, BACK FLOW (S/P)
23	22001972	CLIP, CABINET (S/P)

MAT12CSAAW CLUTCH





MAT12CSAAW CLUTCH

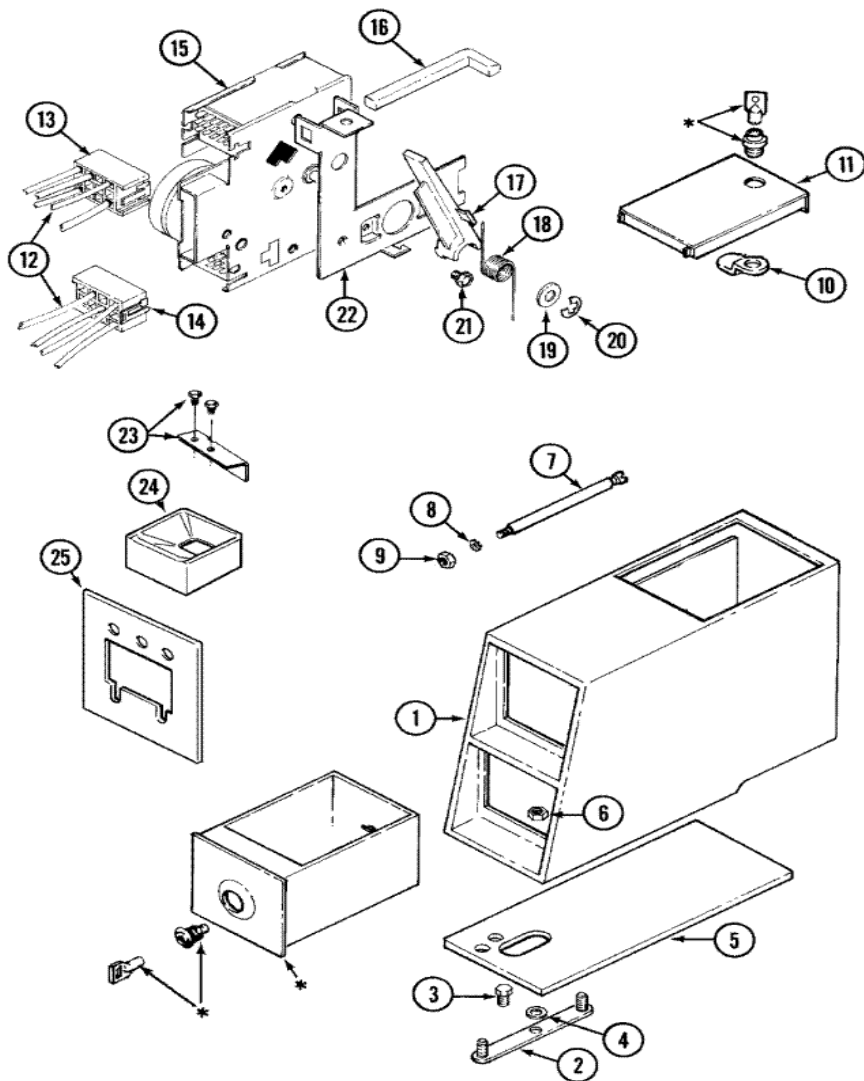
1	22003441	BALL BEARING, RADIAL
2	2-835	BEARING, BRAKE ROTOR
3	2-1190	DRUM, BRAKE
4	2-1190	HOUSING, BRAKE
5	2-1190	BRAKE ASSEMBLY
6	2-1190	ROTOR, BRAKE (W/FACING)
7	22002429	PULLEY, DRIVE
7	22002431	PULLEY ASSEMBLY (S/P)
8	2-1190	GASKET, BRAKE DRUM
9	2-11038	DESCONTINUADO
9	22002428	COVER, DUST (PLASTIC) (S/P)
10	2-1190	RETAINER, BRAKE SPRING
11	213325	CLIP, RETAINER
12	211000	SCREW, HEX HEAD (BRAKE DRUM) (S/P)
13	2-11375	SCREW, STOP LUG(CENTER SHAFT) (S/P)
14	213326	SCREW, RETAINING CLIP (S/P)
15	211089	LUG, STOP
16	2-1190	SPRING, BRAKE
17	Y038315	DESCONTINUADO
18	22003555	WASHER, LOCK

Distribuidor Autorizado

SurteRápido.com

Venta de Refacciones
Electrodomesticas

MAT12CSAAW DEPOSITO MONEDAS





MAT12CSAAW DEPOSITO MONEDAS

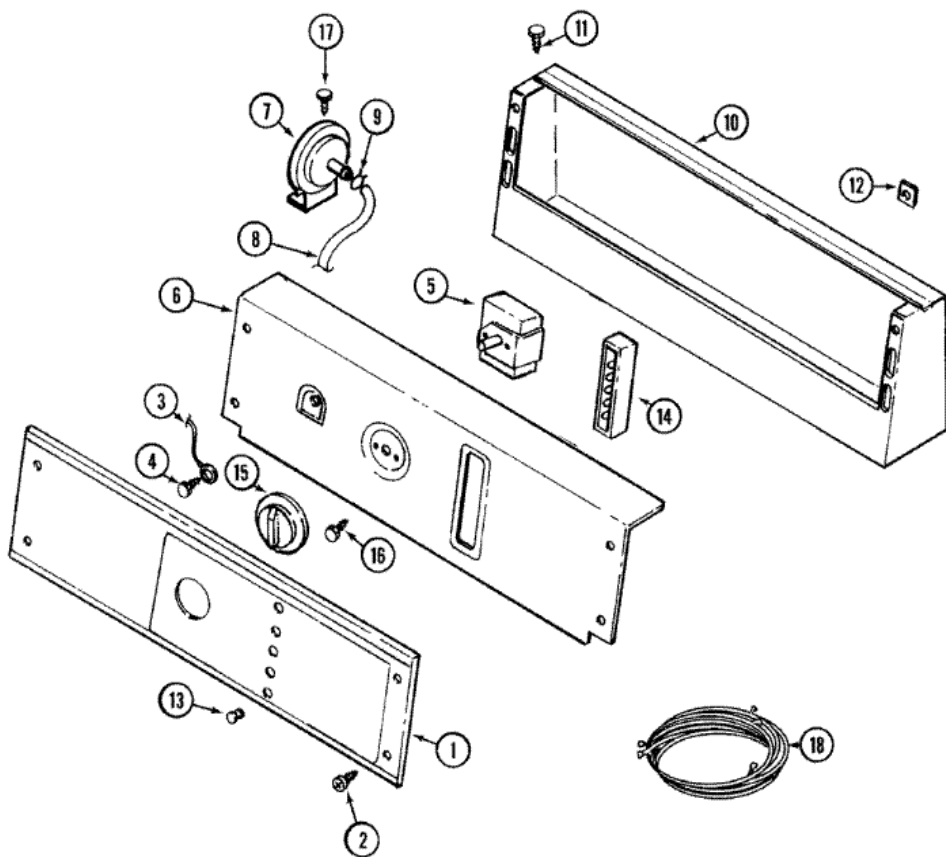
1	22002478	VAULT, COIN (WHT)CS (S/P)
2	22001810	DESCONTINUADO
4	910309	WASHER (S/P)
5	22001870	DESCONTINUADO
6	Y052740	NUT (S/P)
7	22001903	DESCONTINUADO
8	910387	LOCK WASHER (S/P)
9	Y052721	NUT (S/P)
10	22001905	CAM, LOCKING (S/P)
11	22003679	DESCONTINUADO
11	22001881	GROMMET, DOUBLE (S/P)
11	22001882	LATCH, ACCESS DOOR (S/P)
12	22002256	DESCONTINUADO
12	12001438	HARNESS, WIRE (S/P)
12	22001088	WIRE HARNESS (CS) (S/P)
13	22001885	DESCONTINUADO
14	22001886	HOUSING, CONNECTOR (LT) (S/P)
15	22001083	TIMER
16	216442	ROD, ACTUATOR (S/P)
17	22001042	DESCONTINUADO
18	214663	SPRING FOR TIMER LEVER
19	22001398	DESCONTINUADO
20	Y312270	E CLIP (S/P)
21	216412	SCREW
22	22001043	DESCONTINUADO
22	212276	SCREW (S/P)
23	22003415	ACTUATOR KIT, WASHER (S/P)
24	22002533	WELD ASSY., FUNNEL (S/P)
24	22002534	BOLT, CARRIAGE (S/P)
24	22002478	CHUTE, COIN (S/P)
25	22001917	PLATE, ADAPTER (WHT) (S/P)
26	22001919	BRACE, COIN SLIDE (S/P)
27	22003600	ACTUATION DOOR KIT (WHT) (S/P)

Distribuidor Autorizado

SurteRápido.com

Venta de Refacciones
Electrodomesticas

MAT12CSAAW TABLERO

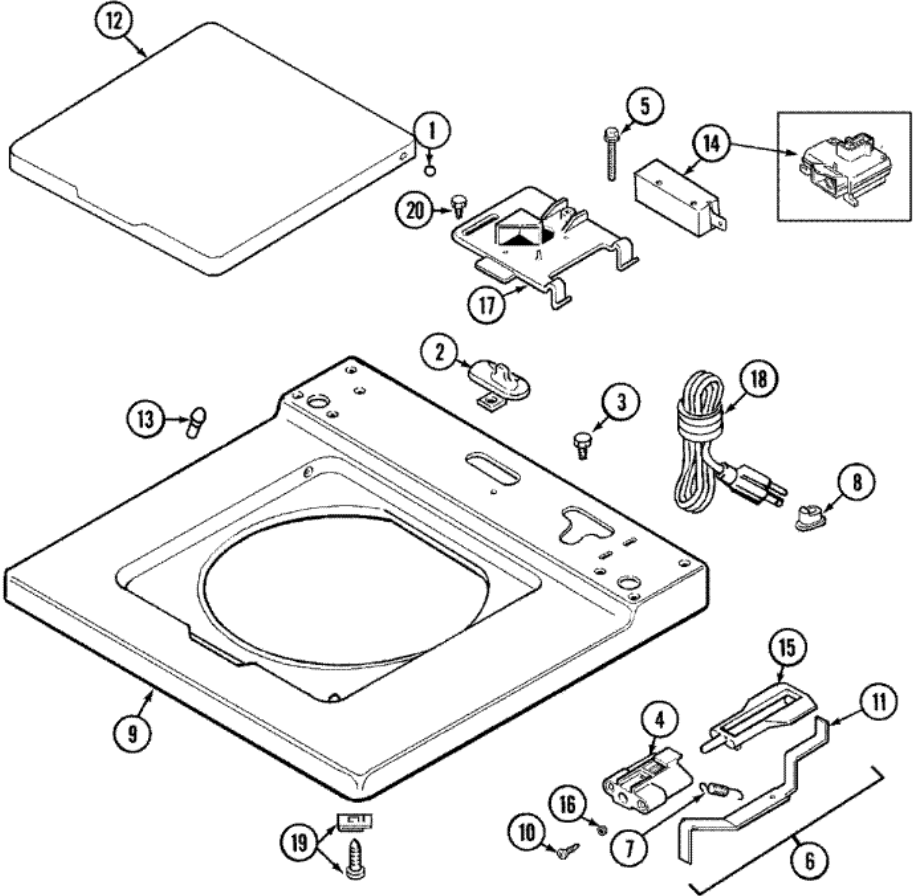




MAT12CSAAW TABLERO

1	22001884	PANEL, CONTROL (W/LENS) (S/P)
2	215506	SCREW, TORX (S/P)
3	204807	GRND.WIRE, SUPP.PLTE TO TOP CVR (S/P)
4	210186	DESCONTINUADO
5	205353	SWITCH, TEMP.
6	22001592	BRACKET, BACK/CONTROL PANEL (S/P)
7	22001308	SWITCH, WATER LEVEL (S/P)
8	22001619	AIR DOME AND TUBE
9	596669	CLAMP, WATER LEVEL SWTCH TUBE (S/P)
10	Y200832	CAPACITOR (S/P)
10	206780	CONTROL COVER ASSY (S/P)
10	211149	CLIP, CAPACITOR (S/P)
10	211294	SCREW (S/P)
11	212276	SCREW (S/P)
12	215003	FASTENER (S/P)
13	215564	LENS, INDICATOR (AMBER) (S/P)
14	206881	INDICATOR, 5 LIGHT 115V (S/P)
15	206894	KNOB W/BUMP (S/P)
16	Y313588	SCREW (S/P)
17	211294	SCREW (S/P)
18	314531	EDGEBOARD CONNECTOR (S/P)
18	22002324	WIRE HARNESS (S/P)
18	12001438	DESCONTINUADO
18	Y312953	RECEPTACLE (S/P)
18	12001438	HARNESS, WIRE (S/P)
18	22001088	WIRE HARNESS (CS) (S/P)

MAT12CSAAW CUBIERTA

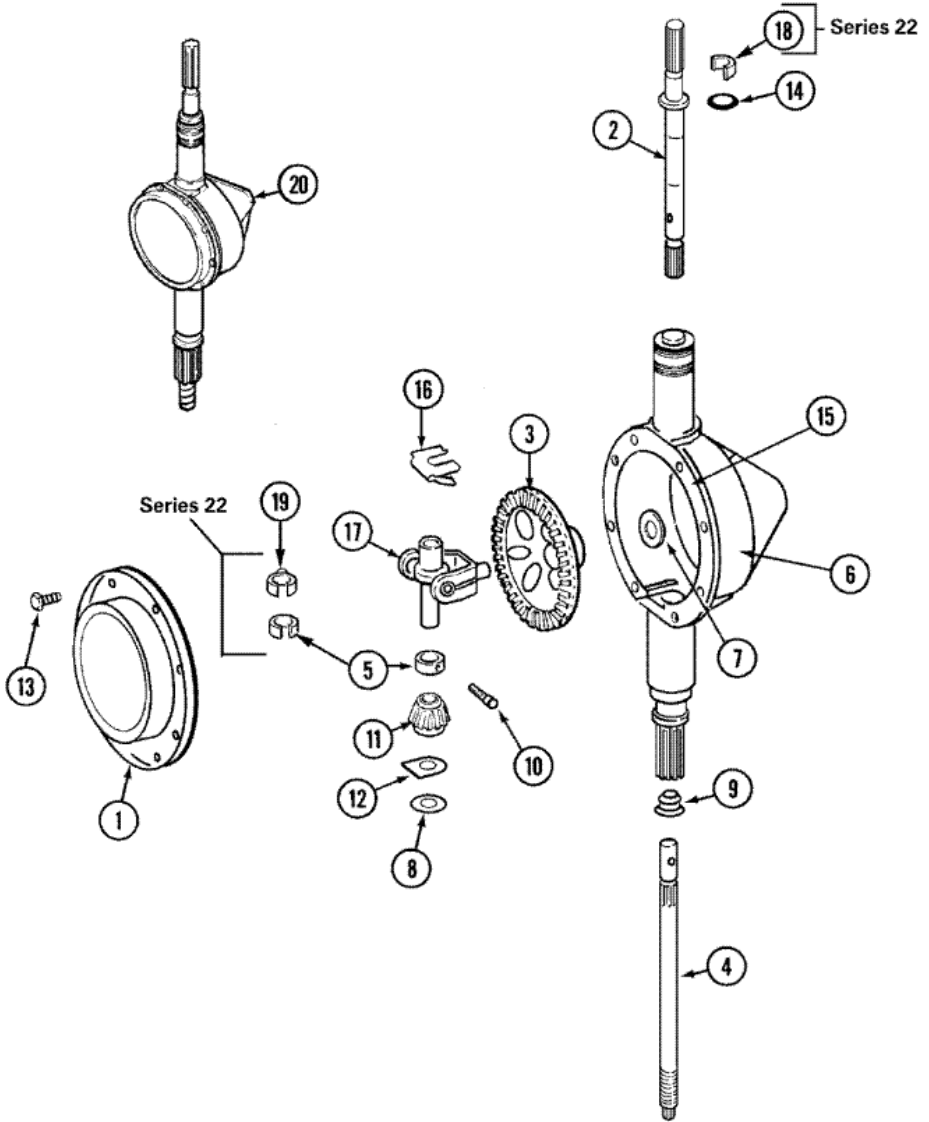




MAT12CSAAW CUBIERTA

1	2-11726	HINGE, BALL
2	207159	SCREW (S/P)
2	22001298	CAP, TOP COVER
3	210186	DESCONTINUADO
4	22001645	DESCONTINUADO
4	22002135	BRACKET, UNBALANCE (S/P)
5	213501	SCREW, No.6-20 X 1-1/8 INCH (S/P)
6	22001681	LEVER ASSY. (UNBALANCE) (S/P)
6	22001969	UNBALANCE LEVER ASSEMBLY (S/P)
7	213720	SPRING (S/P)
8	2-11881	GROMMET, CORD
9	22001970	COVER ASSY., TOP (WHT) (S/P)
10	910182	SCREW (S/P)
11	22001968	LEVER, UNBALANCE (S/P)
11	22001672	LEVER, UNBALANCE (S/P)
12	22001341	LID W/LEGEND (WHT) (S/P)
13	212716	BUMPER, LID
14	12001908	SWITCH, LID
14	22001682	SWITCH ASSY., LID W/4AMP FUSE
15	216255	PLUNGER, UNBALANCE (S/P)
16	211500	WASHER, BRACKE TO TOP COVER (S/P)
17	22001678	BRACKET, SWITCH & FUSE
18	22003062	CORD, POWER (S/P)
18	205056	CORD, POWER (S/P)
19	204445	SCREW & FASTENER ASY. (S/P)
20	207159	SCREW (S/P)

MAT12CSAAW TRANSMISION

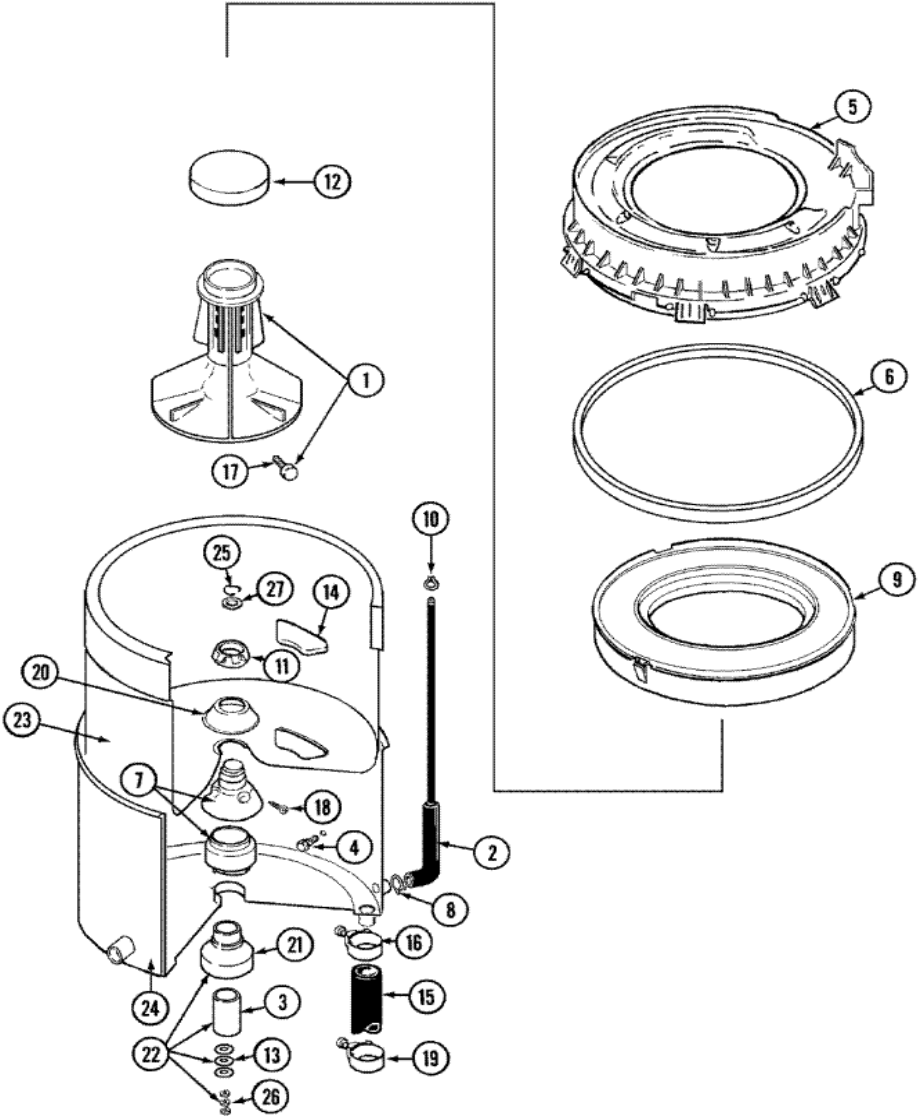




MAT12CSAAW TRANSMISION

1	206628	COVER, TRANSMISSION (S/P)
2	22002132	SHAFT, AGITATOR (W/SPRING)
2	22002415	SHAFT, AGITATOR
3	206713	GEAR, BEVEL
4	12001451	SHAFT, CENTER (S/P)
4	22002343	SHAFT, CENTER (SHALLOW TUB) (S/P)
5	215415	DESCONTINUADO
5	22002353	COLLAR, CENTER SHAFT
6	22002127	HOUSING, TRANSMISSION
6	Y056080	TRANS LUBE - AUTO, 34 OZ. (S/P)
6	22002537	HOUSING, TRANSMISSION (SHW) (S/P)
7	215394	WASHER, BEVEL GEAR (S/P)
8	211483	WASHER, SPLINED
9	207843	SEAL, LIP (CENTER SHAFT)
10	Y206629	PIN, COLLAR (S/P)
11	215401	PINION
12	215395	PLATE, CLUTCH
13	215417	SCREW, TRANSMISSION COVER (S/P)
14	210690	SEAL, RUBBER
14	22002417	O-RING AGITATOR SHAFT
15	Y058700	SILASTIC, ADH.SEALANT (S/P)
16	215581	SPRING, AGITATOR SHAFT
17	206685	BLOCK, TORQUE AND YOKE ASSEMBL
18	22002340	COLLAR, AGITATOR SHAFT
19	22002341	COLLAR, LOWER PLASTIC KEEPER
20	22002127	TRANS W/STEM/SEAL(SHALLOW TUB)

MAT12CSAAW TINA





MAT12CSAAW TINA

1	208543	AGITATOR (W/LOCK SCREW)
2	22001619	AIR DOME AND TUBE
3	211130	LINER, TUB BEARING (S/P)
4	200744	BOLT & GASKET ASSY.(SHORT) (S/P)
4	205254	BOLT & GASKET ASSEMBLY (LONG) (S/P)
5	12001270	COVER ASSY., TUB (S/P)
6	22001007	GASKET, TUB COVER (S/P)
7	22204012	MOUNTING STEM AND SEAL KIT
8	211641	CLAMP, 1-1/16`` (S/P)
9	22001142	RING, BALANCE (W/CONCRETE) (S/P)
10	410296	CLAMP, WATER LEVEL SWTCH TUBE (S/P)
11	2-11047	NUT, CLAMPING (INNER TUB)
12	215532	AGITATOR CAP - BLACK (S/P)
13	211100	WASHER, CUSHION (S/P)
14	215980	PLUG, FILTER HOLE (S/P)
15	Y212989	HOSE, OUTER TUB TO PUMP (S/P)
16	285655	CLAMP, HOSE (S/P)
17	206478	SCREW & WASHER FOR AGITATOR
18	22001423	SCREW, SET (TORX) (S/P)
19	285655	CLAMP, HOSE (S/P)
20	211210	WASHER, CLAMPING NUT(STAINLESS) (S/P)
21	2-4013	BEARING, TUB
22	2-4013	TUB BEARING REPAIR KIT
23	22001141	TUB, INNER (LARGE-GRY) (S/P)
24	22003312	TUB, OUTER (LARGE) (S/P)
25	Y015667	RETAINING RING (S/P)
26	Y054867	WASHER, LOCK (S/P)
27	Y015666	WASHER, RETAINING(CENTER SEAL) (S/P)