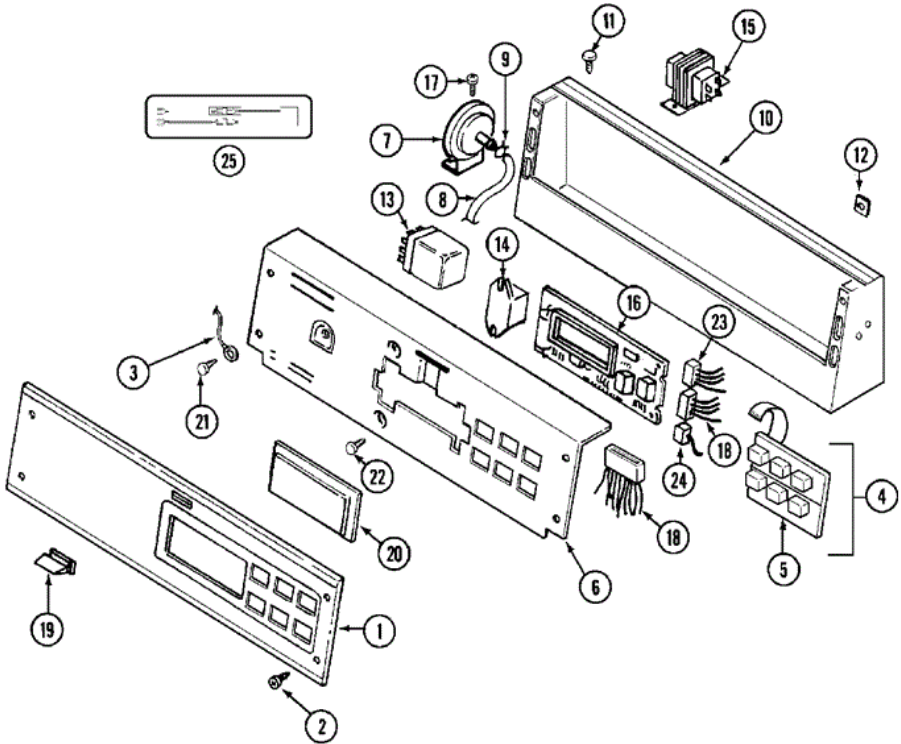


MAT12PDAAW TABLERO



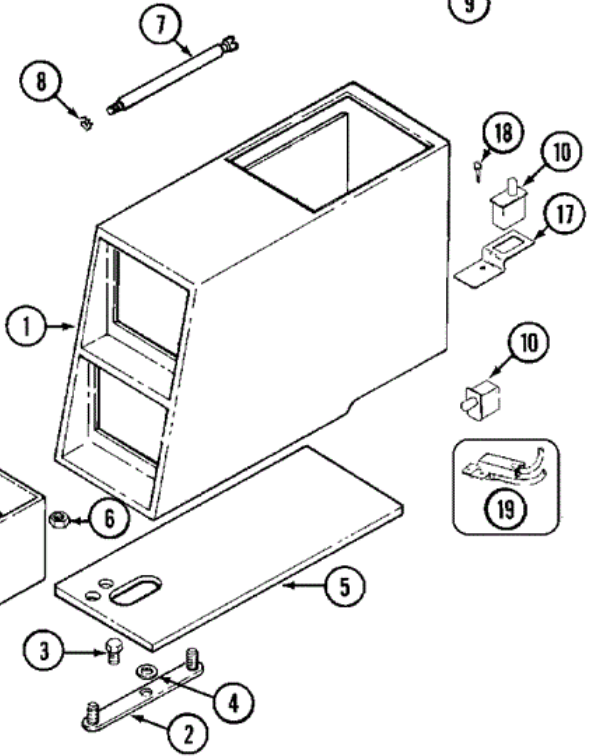
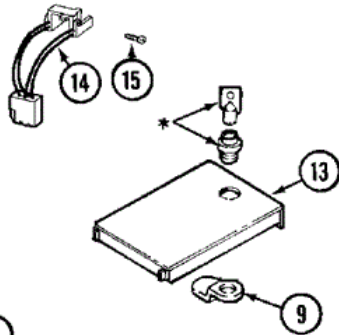
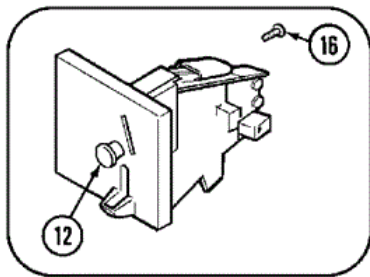


MAT12PDAAW TABLERO

1	22001865	10	PANEL, CONTROL----S
2	215506	10	SCREW, CONTROL PANEL
3	NLA	10	WIRE, GROUND
4	206808	10	CONTROL SWITCH ASSEMBLY
4	215526	10	SCREW, SWITCH
5	215517	10	PUSHBUTTON, CONTROL SWITCH
6	22001513	10	BRACKET, BACK (WHT)
6	NLA	10	BRACKET, BACK (ALM)----NA
7	22001308	10	SWITCH, WATER LEVEL
8	22001617	10	TUBE, WATER LEVEL SWITCH
9	410296	10	CLAMP, WATER LEVEL TUBE
10	206780	10	CONSOLE (WHT)
10	206780L	10	(ALM)
11	212276	10	SCREW, CONSOLE
12	215003	10	CLIP, SCREW
13	206421	10	RELAY, REVERSING (DPDT)
14	206824	10	RELAY, MOTOR (SPST)
14	22001866	10	SCREW, RELAY
15	207766	10	TRANSFORMER
15	Y313559	10	SCREW
16	22001511	10	DEFLECTOR, WATER (W/ADHESIVE)
16	912077	10	LOCKNUT, CONTROL BOARD
16	NLA	10	CIRCUIT BOARD ASSEMBLY
16	NLA	10	KIT, BATTERY & SUPPORT
16	Y215513	10	STANDOFF, CIRCUIT BOARD
17	211294	10	SCREW, WATER LEVEL SWITCH
18	314531	10	CONNECTOR, EDGEBOARD
18	NLA	10	WIRE HARNESS, MAIN NLA
18	Y312953	10	TERMINAL, EDGEBOARD
19	214610	10	BUMPER, LID
20	33001208	10	COVER, DISPLAY
21	210186	10	SCREW, GROUND WIRE
22	215527	10	SCREW, CONTROL BOARD

23	206799	10	OPTIC SWITCH ASSEMBLY
23	NLA	10	CONNECTOR, EDGEBOARD----NA
24	208045	10	HARNESS, SENSOR SWITCH
24	22001361	10	CONNECTOR, EDGEBOARD
25	NLA	10	SURGE SUPPRESSOR KIT

MAT12PDAAW CENTRO DE CONTROL

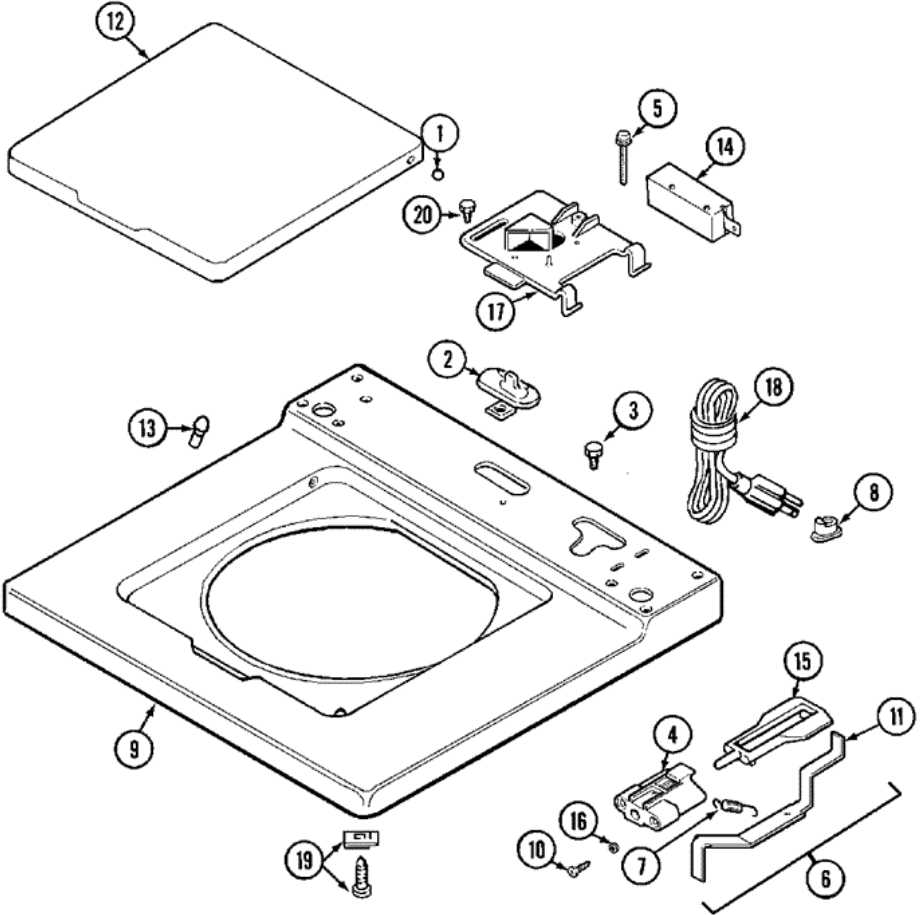




MAT12PDAAW CENTRO DE CONTROL

8	910181	10	LOCKWASHER, LOCKING BOLT
9	NLA	10	CAM, LOCKING
10	33001250	10	SWITCH, SENSOR
10	912012	10	SCREW, SENSOR SWITCH
11	22001873	10	DROP ASSY., COIN
11	22001875	10	COIN DROP ASY (CAN)
11	22002144	10	SINGLE FACEPLATE
12	216200	10	BUTTON, RETURN
13	22001910	10	DOOR, ACCESS (WHT)
13	22001911	10	(ALM)
14	206799	10	OPTIC SWITCH ASSY. (6 WIRE)
15	314665	10	SCREW, OPTIC SWITCH
16	216068	10	SCREW, COIN DROP
17	22001404	10	BRACKET, SWITCH
18	212276	10	SCREW, SWITCH BRACKET
19	208045	10	HARNESS, SENSOR SWITCH

MAT12PDAAW CUBIERTA

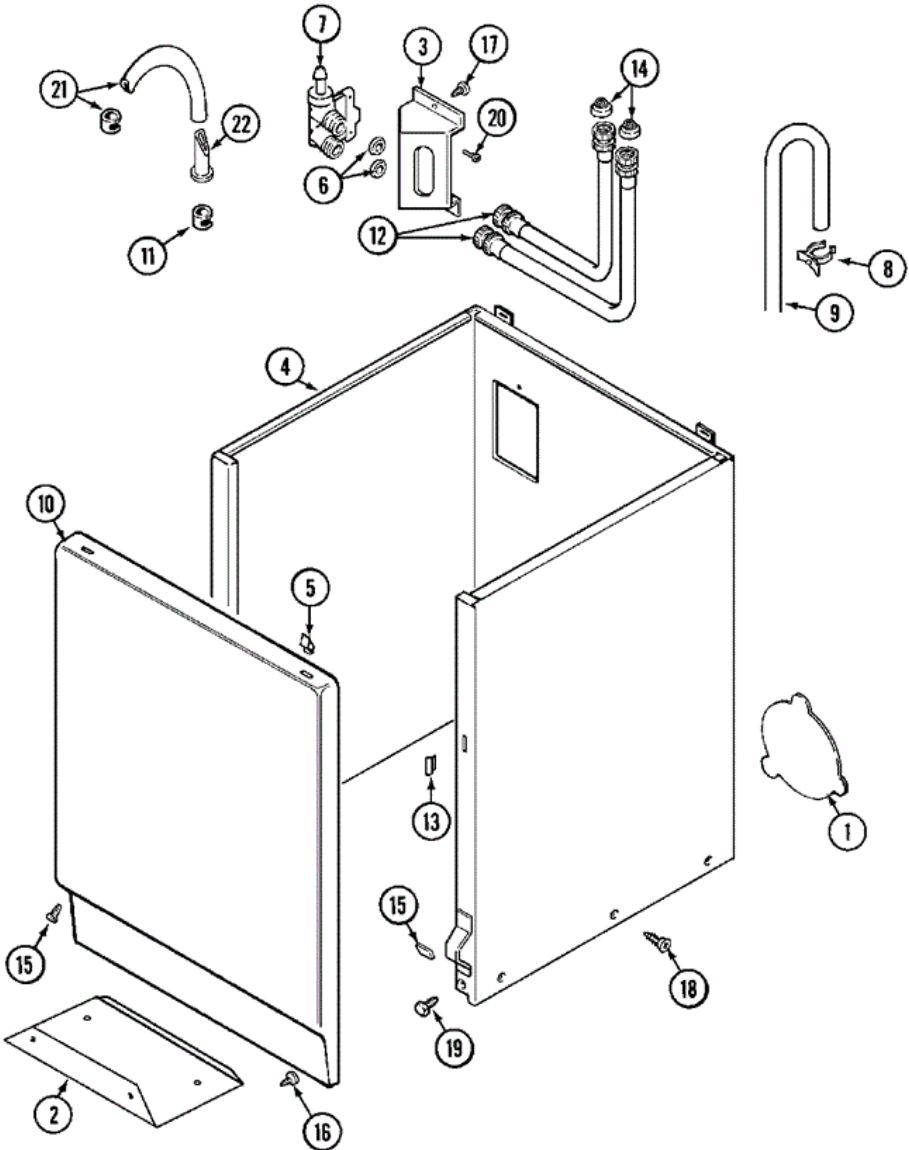




MAT12PDAAW CUBIERTA

1	22002480	24	VAULT, COIN (WHT)
1	22002481	24	(ALM) (ORIGINAL COIN VAULT NLA USE
2	22001810	10	STRAP, MOUNTING
3	211294	10	SCREW, MOUNTING STRAP
4	910309	10	WASHER, STRAP SCREW
5	22001870	10	GASKET, COIN VAULT (WHT)
5	22001874	10	(ALM)
6	Y052740	10	NUT, CASE MOUNTING
7	213035	10	BOLT, LOCKING
1	211726	10	HINGE, BALL
2	207159	10	SCREW, CAP
2	22001298	10	CAP, TOP COVER
3	210186	10	SCREW, GROUND WIRE
4	NLA	10	BRACKET, UNBALANCE----NA
5	213501	10	SCREW, LID SWITCH
6	22001681	10	LEVER ASSY. (UNBALANCE)
7	213720	10	SPRING
8	211881	10	GROMMET, CORD
9	22001867	10	COVER, TOP (WHT)
9	NLA	10	(ALM)
10	910182	10	SCREW, PLUNGER BRACKET
11	22001672	10	LEVER, UNBALANCE
12	22001341	10	LID W/LEGEND (WHT)
12	22001342	10	(W/LEGEND-ALM)
13	212716	10	BUMPER, LID
14	205415	10	SWITCH, LID (W/O TUB LIGHT)
15	216255	10	PLUNGER, LID SWITCH
16	211500	10	WASHER, BRACKET
17	22001678	10	BRACKET, SWITCH & FUSE
18	22001642	10	CORD, POWER
19	204445	10	SCREW & FASTENER ASSEMBLY
20	207159	10	SCREW, BRACKET

MAT12PDAAW GABINETE

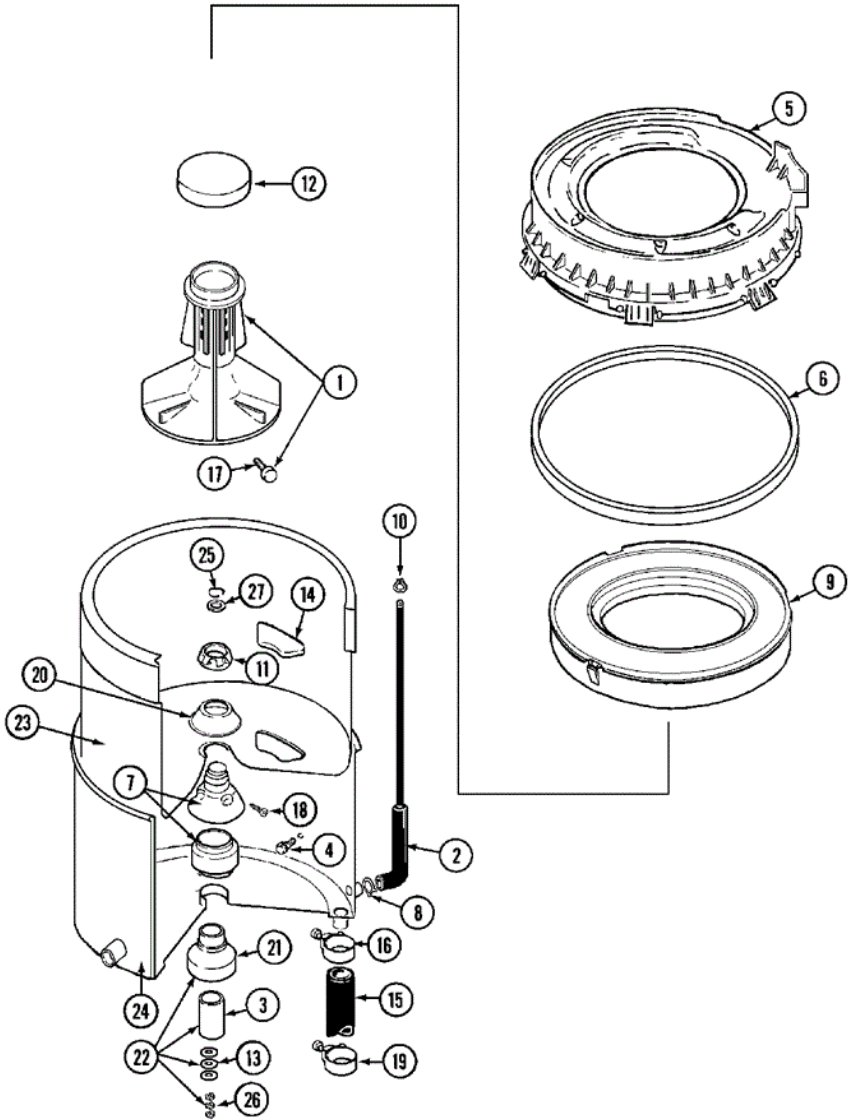




MAT12PDAAW GABINETE

1	211294	10	SCREW, PLATE
1	212985	10	PLATE, ACCESS (W/HOLE)
1	NLA	10	PLATE, ACCESS
2	213846	10	GUARD, BELT
3	214812	10	BRACKET, WATER VALVE
3	22003217	10	SCREW, BRACKET TO CABINET
4	NLA	10	CABINET (WHT)
5	22001650	10	FASTENER, SPRING
6	Y013783	10	WASHER, INLET HOSE
7	205161	10	CLAMP, WATER VALVE
7	214337	10	SCREEN, VALVE
7	22001604	10	VALVE, WATER 120V 60HZ
8	22001815	10	CLIP, HOSE
9	22001816	10	HOSE, DRAIN
9	22002700	16	HOSE, DRAIN
9	22002701	16	RETAINER, DRAIN HOSE
10	22001803	10	PANEL, FRONT (WHT)
10	22001804	10	(ALM)
11	205161	10	CLAMP, HOSE
12	205828	10	INLET HOSE ASSEMBLY
13	214376	10	SPACER, FRONT PANEL
14	200961	10	SCREEN WASHER, INLET HOSE
15	213325	10	CLIP, RETAINER
15	22001496	10	SCREW, FRONT PANEL
16	211294	10	SCREW, BELT GUARD
17	212276	10	SCREW, VALVE BRACKET
18	213007	10	SCREW, CABINET SIDES
19	213121	10	SCREW, CABINET
19	213122	10	SCREW, CABINET
20	Y313561	10	SCREW, WATER VALVE
21	22001608	10	INJECTOR HOSE & CLAMP KIT
22	22001900	10	PREVENTER, BACK FLOW

MAT12PDAAW TINAS





MAT12PDAAW TINAS

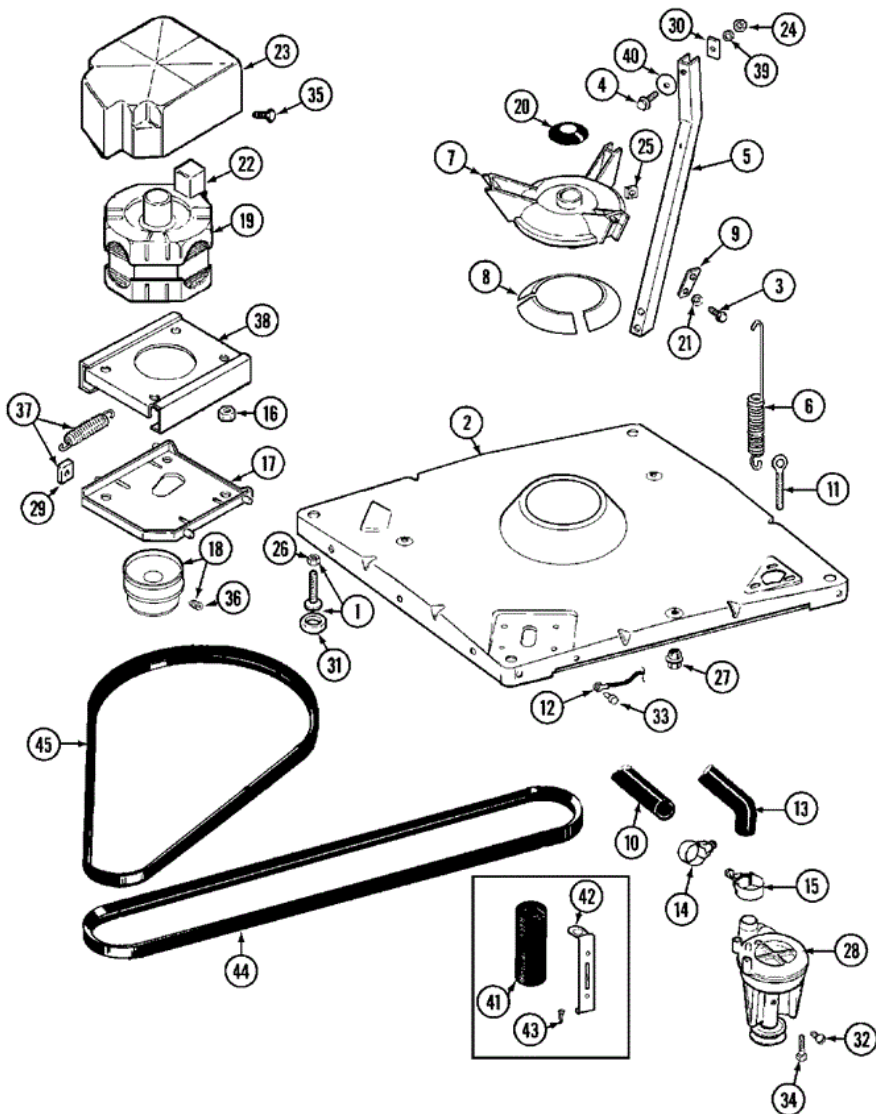
1	208543	10	AGITATOR (W/LOCK SCREW)
2	212942	10	TUBE, WATER LEVEL SWITCH
3	211130	10	LINER, TUB BEARING
4	200744	10	BOLT & GASKET ASSEMBLY (SHORT)
4	205254	10	(LONG)
5	12001270	10	KIT, INJECTOR ACC. (COMM)
6	Y22001201	10	GASKET, TUB COVER
7	22001648	10	MOUNTING STEM AND SEAL KIT
8	211641	10	CLAMP, 1-1/16"
9	22001142	10	RING, BALANCE (W/CONCRETE)
10	410296	10	CLAMP, WATER LEVEL SWITCH TUBE
11	211047	10	NUT, CLAMPING (INNER TUB)
12	215532	10	CAP, AGITATOR
13	211100	10	WASHER, CUSHION
14	215980	10	PLUG, TUB
15	Y212989	10	HOSE, OUTER TUB
16	22001640	10	CLAMP, HOSE
17	206478	10	SCREW & WASHER ASSEMBLY
18	22001423	10	SET SCREW, MOUNTING STEM
19	22001640	10	CLAMP, TUB HOSE
20	211210	10	WASHER, CLAMPING NUT
21	200824	10	BEARING, TUB
22	204013	10	TUB BEARING REPAIR KIT
23	22001141	10	TUB, INNER
24	22001115	10	TUB, OUTER (LARGE)
25	Y015667	10	RETAINING RING
26	Y054867	10	WASHER, LOCK
27	Y015666	10	WASHER, RETAINING

Distribuidor Autorizado

SurteRápido.com

Venta de Refacciones
Electrodomesticas

MAT12PDAAW BASE



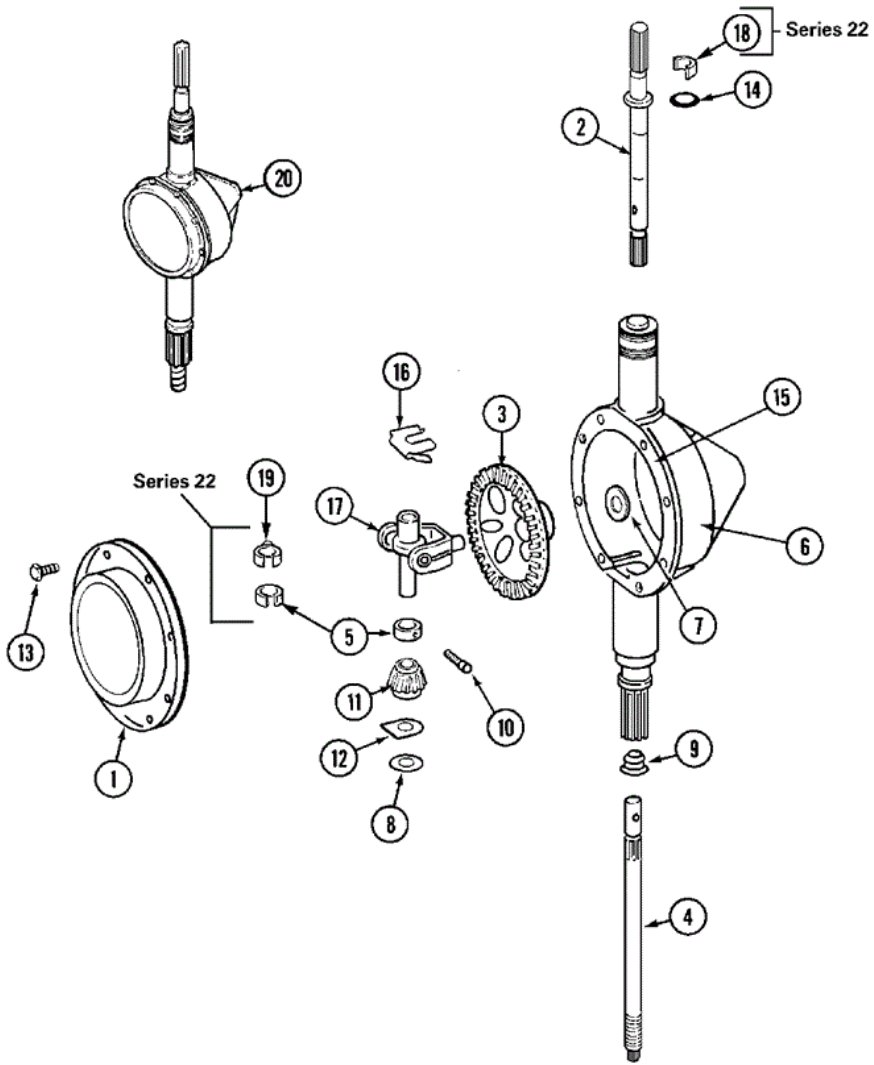


MAT12PDAAW BASE

1	Y302699	10	LEG, ADJUSTABLE (W/NUT)---S
2	22001172	10	BASE (W/DAMPER PADS)
3	Y015627	10	SCREW, HEX HD CAP 5/16 X 5/8
4	200744	10	BOLT & GASKET ASSEMBLY (SHORT)
4	205254	10	(LONG)
5	213100	10	BRACE, TUB
6	22001300	10	SPRING, CENTERING
7	203725	10	DAMPER W/BOLT & CLIP
8	203956	10	DAMPER PAD KIT (W/POLY LUBE)
9	213073	10	WASHER, DOUBLE
10	22001816	10	HOSE, DRAIN
11	216416	10	BOLT, EYE/CENTERING SPRING
12	901220	10	WIRE, GROUND
13	Y212989	10	HOSE, OUTER TUB
14	Y22001820	10	CLAMP, HOSE
15	22001640	10	CLAMP, HOSE
16	Y311426	10	NUT, MOTOR BASE
17	22001301	10	MOUNT, MOTOR LOWER-ASSEMBLY
18	200816	10	PULLEY, MOTOR (W/SET SCREW)
19	201805	10	MOTOR (ONE SPEED)
20	22001511	10	DEFLECTOR, WATER (W/ADHESIVE)
21	911852	10	WASHER, LOCK (BRACE)
22	206505		PROD. NO. 201664-15 & 205463-3
22	205131	10	SWITCH, MOTOR EXTERNAL START (PROD. NO. 207424-2)
22	205132	10	SWITCH, MOTOR EXTERNAL START (201664-14,205463-4&201800-4)
22	NLA	10	SWITCH, MOTOR EXTERNAL START
23	215098	10	SHIELD, MOTOR
24	Y052734	10	NUT, BRACE (TUB)
25	Y052785	10	NUT, BRACE (DAMPER)
26	210385	10	NUT, LOCK
27	211949	10	NUT, EYEBOLT
28	202203	10	PUMP AS PAK

29	Y204998	10	GLIDE KIT (4 W/POLY LUBE)
30	212979	10	WASHER, TUB BRACE
31	210684	10	FOOT, RUBBER
32	Y015408	10	SCREW, BEARING INSERT
33	210186	10	SCREW, GROUND WIRE
34	211880	10	SCREW, PUMP
35	213121	10	SCREW, MOTOR SHIELD
36	Y053241	10	SET SCREW, MOTOR PULLEY
37	205000	10	GLIDE & SPRING KIT
38	214956	10	PLATE, MOTOR MOUNT (UPR)
39	Y054867	10	WASHER, LOCK (BRACE)
40	211100	10	WASHER, CUSHION (BRACE)
44	211124	10	V BELT, PUMP
45	211125	10	V BELT,DRIVE PULLEY

MAT12PDAAW TRANSMISION

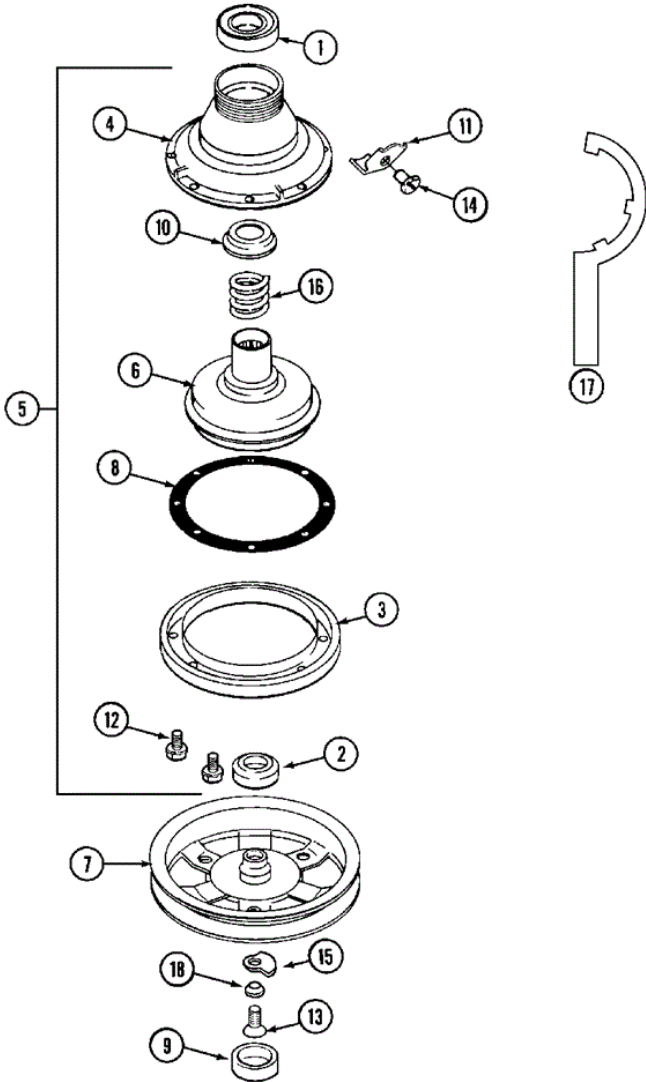




MAT12PDAAW TRANSMISION

1	206628	10	COVER, TRANSMISSION
2	207153	10	SHAFT, AGITATOR (W/SPRING)
2	22002415	22	SHAFT, AGITATOR
3	206713	10	GEAR, BEVEL
4	NLA	10	SHAFT, CENTER
4	22002343	22	SHAFT, CENTER (SHALLOW TUB)
5	215415	10	COLLAR (LWR)
5	22002353	22	COLLAR, CENTER SHAFT
6	206625	10	HOUSING, TRANSMISSION
6	Y056080	10	TRANS LUBE - AUTO, 34 OZ.
6	22002537	22	HOUSING, TRANSMISSION (SHW)
7	215394	10	WASHER, BEVEL GEAR
8	211483	10	WASHER, SPLINED
9	206602	10	SEAL, LIP (CENTER SHAFT)
10	Y206629	10	PIN, COLLAR
10	W10124350	22	NOT REQUIRED PART OR SEE NOTE
11	215401	10	PINION
12	215395	10	PLATE, CLUTCH
13	215417	10	SCREW, TRANSMISSION COVER
14	210690	10	SEAL, RUBBER
14	22002417	22	O-RING AGITATOR SHAFT
15	Y058700	10	SILASTIC, ADHESIVE SEALANT
16	215581	10	SPRING, AGITATOR SHAFT
16	W10124350	22	NOT REQUIRED PART OR SEE NOTE
17	206685	10	BLOCK, TORQUE AND YOKE ASSEMBL
18	22002340	22	COLLAR, AGITATOR SHAFT
19	22002341	22	COLLAR, LOWER PLASTIC KEEPER
20	206708	10	TRANSMISSION (COMPLETE)
20	22002127	22	TRANS W/STEM/SEAL(SHALLOW TUB)

MAT12PDAAW CLUTCH





MAT12PDAW CLUTCH

1	Y200720	10	BALL BEARING, RADIAL----S
2	200835	10	BEARING, BRAKE ROTOR
3	211043	10	DRUM, BRAKE
4	211045	10	HOUSING, BRAKE
5	201190	10	PACKAGE, BRAKE
6	201126	10	ROTOR, BRAKE (W/FACING)
7	211059	10	PULLEY, DRIVE
7	22002431	23	PULLEY ASSEMBLY
7	22002432	23	PULLEY ASSEMBLY (EXPORT)
8	211042	10	GASKET, BRAKE DRUM
9	NLA	10	CAP, OIL RETAINER
9	22002428	23	COVER, DUST (PLASTIC)
10	211039	10	RETAINER, BRAKE SPRING
11	213325	10	CLIP, RETAINER
12	211000	10	SCREW, BRAKE DRUM (HEX HD)
13	211375	10	SCREW, DRIVE LUG
14	213326	10	BOLT, RETAINING CLIP
15	211089	10	LUG, STOP
16	211041	10	SPRING, BRAKE
17	Y038315	10	TOOL, BRAKE PACKAGE ASSEMBLY
18	211090	10	WASHER, LOCK (DRIVE LUG)