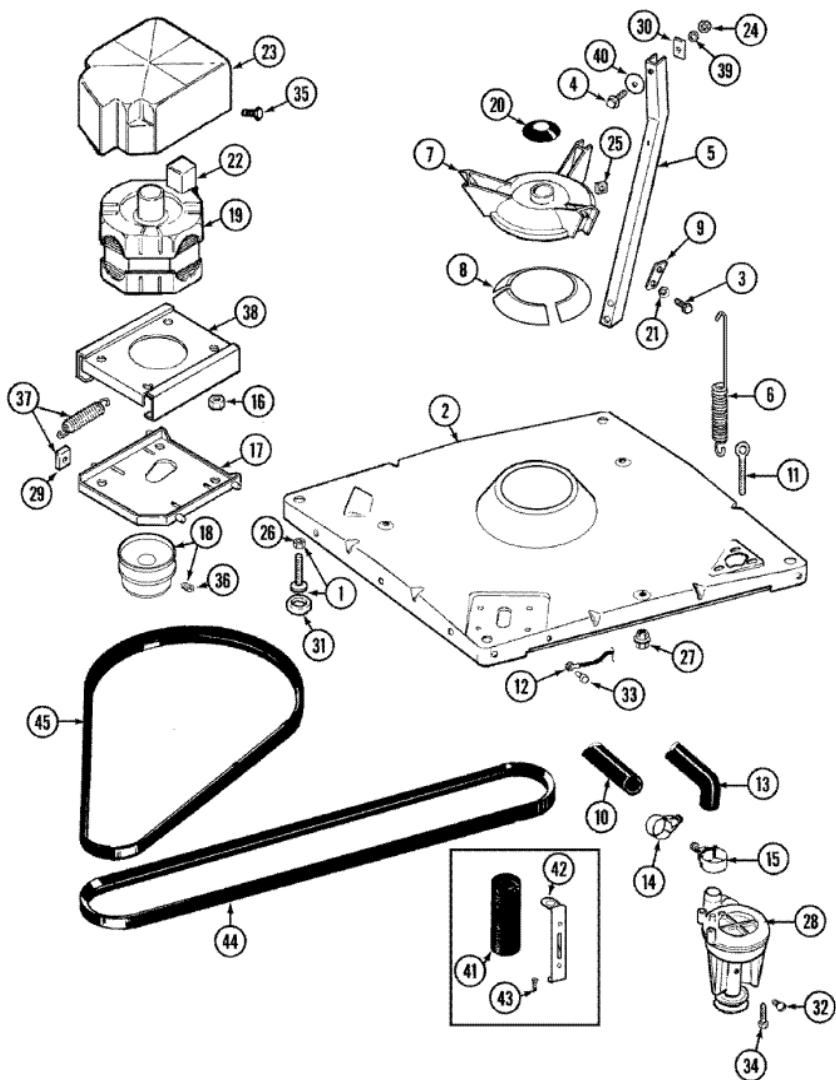


Distribuidor Autorizado

**SurteRápido.com**

Venta de Refacciones  
Electrodomesticas

## MAT13MNAAW BASE





## MAT13MNAAW BASE

1	22003428	LEG, ADJUSTABLE (W/NUT)
2	22002150	BASE (W/DAMPER PADS)
3	Y015627	SCREW, HEX HD CAP 5/16 X 5/8 (S/P)
4	200744	BOLT & GASKET ASSY.(SHORT) (S/P)
4	205254	BOLT & GASKET ASSEMBLY (LONG) (S/P)
5	213053	BRACE, TUB
6	22001300	SPRING, CENTERING
7	2-3725	DAMPER W/BOLT & CLIP
8	203956	DAMPER PAD KIT (W/POLY LUBE)
9	213073	WASHER, DOUBLE (S/P)
10	22001816	HOSE, DRAIN (S/P)
11	216416	BOLT, EYE/CENTERING SPRING (S/P)
12	901220	WIRE, GROUND (S/P)
13	213045	DRAIN HOSE-TUB TO PUMP
14	22001820	CLAMP, HOSE (S/P)
15	22001640	CLAMP, HOSE (S/P)
16	Y311426	NUT, WASHERED LOCK (S/P)
17	22001301	MOUNT, MOTOR LOWER-ASSEMBLY (S/P)
18	2-816	PULLEY, MOTOR (W/SET SCREW)
19	12002351	MOTOR (ONE SPEED)
20	22001586	DEFLECTOR, WATER (DRIVE TUBE) (S/P)
21	486009	WASHER, LOCK (BRACE) (S/P)
22	206505	<b>DESCONTINUADO</b>
22	205131	SWITCH, MOTOR START (S/P)
22	205132	SWITCH, MOTOR START (S/P)
23	215098	SHIELD, MOTOR
24	Y052734	NUT (S/P)
25	Y052785	NUT, BRACE TO DAMPER (S/P)
26	210385	NUT, LOCK (S/P)
27	211949	NUT, EYEBOLT (S/P)
28	2-2203	PUMP AS PAK
29	2-5000	GLIDE KIT (4 W/POLY LUBE)
30	213738	<b>DESCONTINUADO</b>

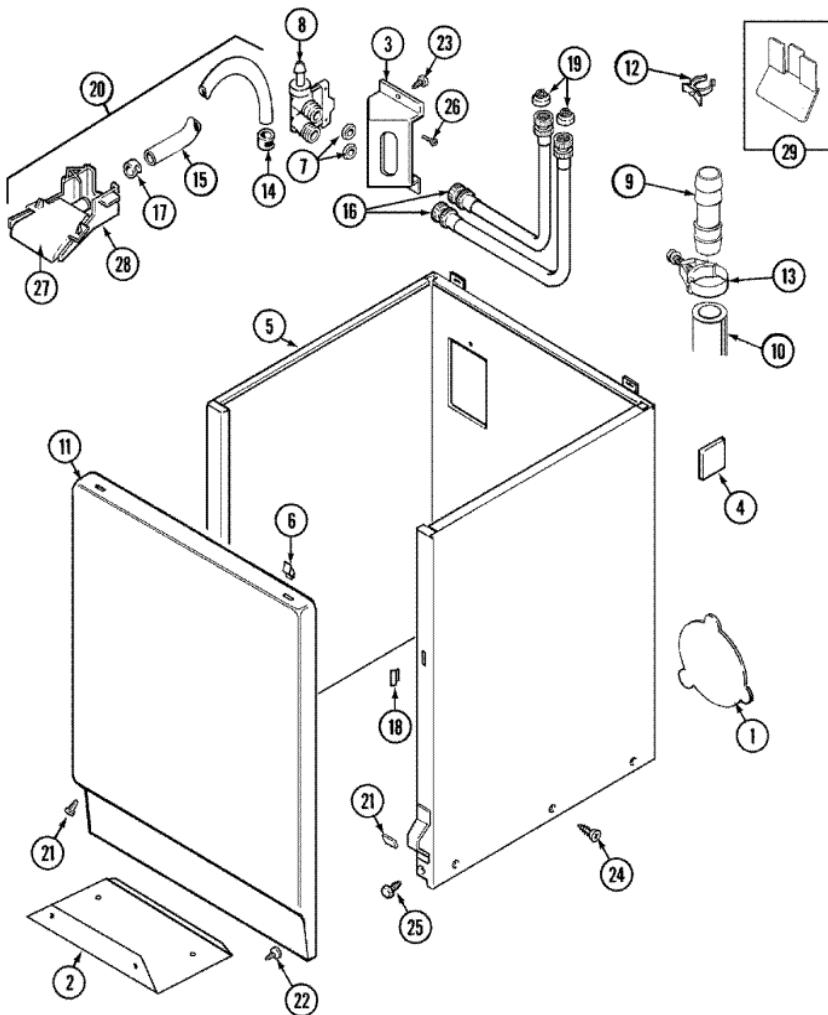
31	210684	FOOT, RUBBER
32	Y015408	SCREW, BEARING INSERT (S/P)
33	210186	<b>DESCONTINUADO</b>
34	211880	SCREW, HEX HD No.10 X 1/2 INC (S/P)
35	213121	SCREW (S/P)
36	Y053241	SET SCREW, PULLEY (S/P)
37	2-5000	GLIDE & SPRING KIT
38	214956	MOUNT, MOTOR/UPPER (S/P)
39	Y054867	WASHER, LOCK (S/P)
40	211100	WASHER, CUSHION (S/P)
44	2-11124	V BELT, PUMP
45	2-11125	V BELT, DRIVE PULLEY

Distribuidor Autorizado

**SurteRápido.com**

Venta de Refacciones  
Electrodomesticas

## MAT13MNAAW GABINETE





## MAT13MNAAW GABINETE

1	22002924	PLATE, ACCESS (W/HOLE) (S/P)
1	211294	SCREW (S/P)
1	211878	PLATE, ACCESS (S/P)
2	213846	GUARD, BELT (S/P)
3	22002361	BRACKET, WATER VALVE (S/P)
3	22003217	SCREW, BRACKET TO CABINET (S/P)
4	215058	PAD, CABINET BUMPER (S/P)
5	22001995	SCREW (S/P)
5	22004425	CABINET (WHT) (S/P)
5	22002381	V-BRACKET (S/P)
5	22002382	FASTENER, V-BRACKET (S/P)
5	22004425	CABINET (WHT) (S/P)
6	22001650	FASTENER, PANEL
7	Y013783	GASKET, INLET HOSE (S/P)
8	22001275	VALVE, WATER (S/P)
8	214337	SCREEN, VALVE (S/P)
9	Y216015	HOSE COUPLING (S/P)
10	22003410	HOSE, DRAIN
10	22003814	RETAINER, DRAIN HOSE (S/P)
10	22001816	HOSE, DRAIN (S/P)
11	22002366	PANEL, FRONT (WHT) (S/P)
12	22002765	CLIP, HOSE (S/P)
13	200461	HOSE CLAMP - 1-5/8 INCH (S/P)
14	216169	CLAMP, HOSE-INJEC.HOSE TO VALVE (S/P)
15	22001190	HOSE, INJECTOR
16	202860	HOSE, INLET ASSY. (S/P)
17	216170	CLAMP, HOSE (S/P)
18	22002331	SPACER, FRONT PANEL (S/P)
19	12001413	SCREEN WASHER, INLET HOSE (S/P)
20	22001304	INJECTOR ASSY., WATER (S/P)
21	22001496	SCREW, TORX (S/P)
22	211294	SCREW (S/P)
23	212276	SCREW (S/P)

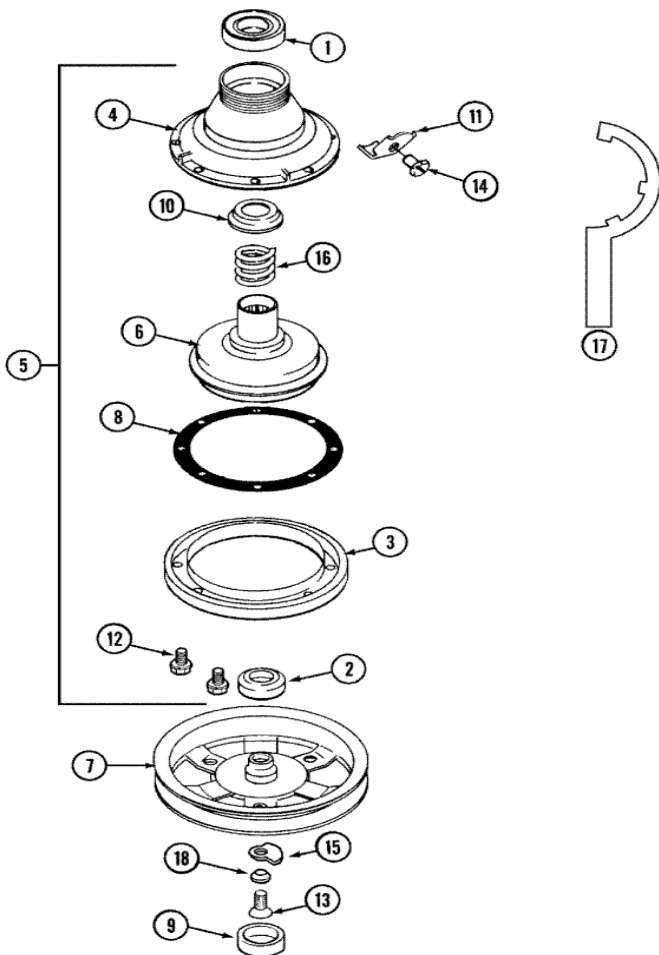
24	213007	SCREW, CABINET (S/P)
25	213121	SCREW (S/P)
25	213122	<b>DESCONTINUADO</b>
26	Y313561	<b>DESCONTINUADO</b>
27	22001187	INJECTOR (UPR) (S/P)
28	22001186	INJECTOR (LWR)
29	22001972	CLIP, CABINET (S/P)

Distribuidor Autorizado

SurteRápido.com

Venta de Refacciones  
Electrodomesticas

# MAT13MNAAW CLUTCH



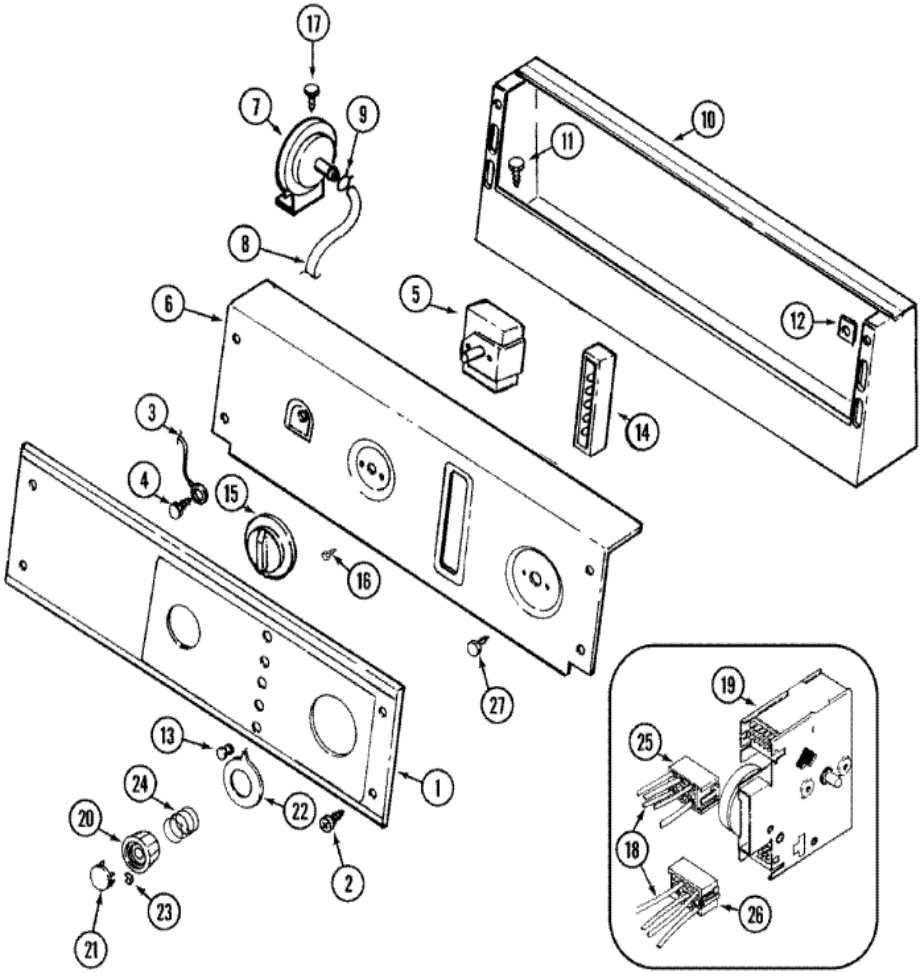


## MAT13MNAAW CLUTCH

1	22003441	BALL BEARING, RADIAL----S
2	2-835	BEARING, BRAKE ROTOR
3	2-1190	DRUM, BRAKE
4	2-1190	HOUSING, BRAKE
5	2-1190	BRAKE ASSEMBLY
6	2-1190	ROTOR, BRAKE (W/FACING)
7	22002429	PULLEY, DRIVE
7	22002431	PULLEY ASSEMBLY (S/P)
8	2-1190	GASKET, BRAKE DRUM
9	2-11038	<b>DESCONTINUADO</b>
9	22002428	COVER, DUST (PLASTIC) (S/P)
10	2-1190	RETAINER, BRAKE SPRING
11	213325	CLIP, RETAINER
12	211000	SCREW, HEX HEAD (BRAKE DRUM) (S/P)
13	2-11375	SCREW, STOP LUG(CENTER SHAFT)
14	213326	SCREW, RETAINING CLIP (S/P)
15	211089	LUG, STOP
16	2-1190	SPRING, BRAKE
17	38315	<b>DESCONTINUADO</b>
18	22003555	WASHER, LOCK



**MAT13MNAAW TABLERO**





**MAT13MNAAW TABLERO**

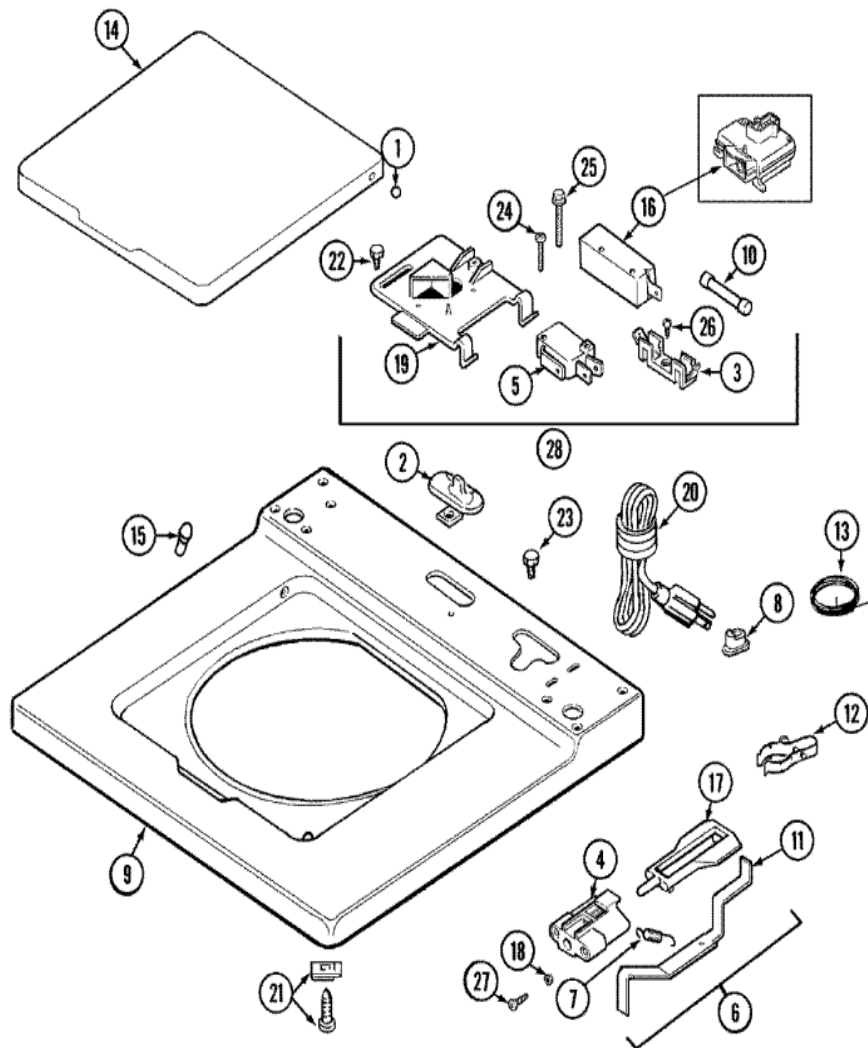
1	22001890	PANEL, CONTROL (W/LENS) (S/P)
2	215506	SCREW, TORX (S/P)
3	204807	GRND.WIRE, SUPP.PLTE TO TOP CVR (S/P)
4	210186	<b>DESCONTINUADO</b>
5	205353	SWITCH, TEMP.
6	22001596	PLATE, BACK UP (S/P)
6	22003100	BRACKET, BACK (WHT) (S/P)
7	22004474	SWITCH, WATER LEVEL
8	22001619	AIR DOME AND TUBE
9	410296	CLAMP, WATER LEVEL SWTCH TUBE (S/P)
10	22003093	CONSOLE (WHT) (S/P)
10	22001366	PANEL, CONTROL (WHT) (S/P)
11	Y313559	SCREW (S/P)
11	211294	SCREW (S/P)
12	215003	FASTENER (S/P)
13	215564	LENS, INDICATOR (AMBER) (S/P)
14	206881	INDICATOR, 5 LIGHT 115V (S/P)
15	206894	KNOB W/BUMP (S/P)
15	206894	LID BUMPER (S/P)
16	Y313588	SCREW (S/P)
17	211294	SCREW (S/P)
18	22001089	WIRE HARNESS, MAIN (S/P)
18	22002257	HARNESS, WIRE (S/P)
19	22001082	TIMER
20	206892	CONTROL KNOB
21	314723	CAP FOR TIMER KNOB
22	22001571	BEZEL, TIMER DIAL (BLK)
23	211605	RETAINER, TIMER KNOB
24	211065	SPRING, TIMER KNOB (S/P)
25	22001885	<b>DESCONTINUADO</b>
26	22001886	HOUSING, CONNECTOR (LT) (S/P)
27	216412	SCREW

Distribuidor Autorizado

SurteRápido.com

Venta de Refacciones  
Electrodomesticas

# MAT13MNAAW CUBIERTA

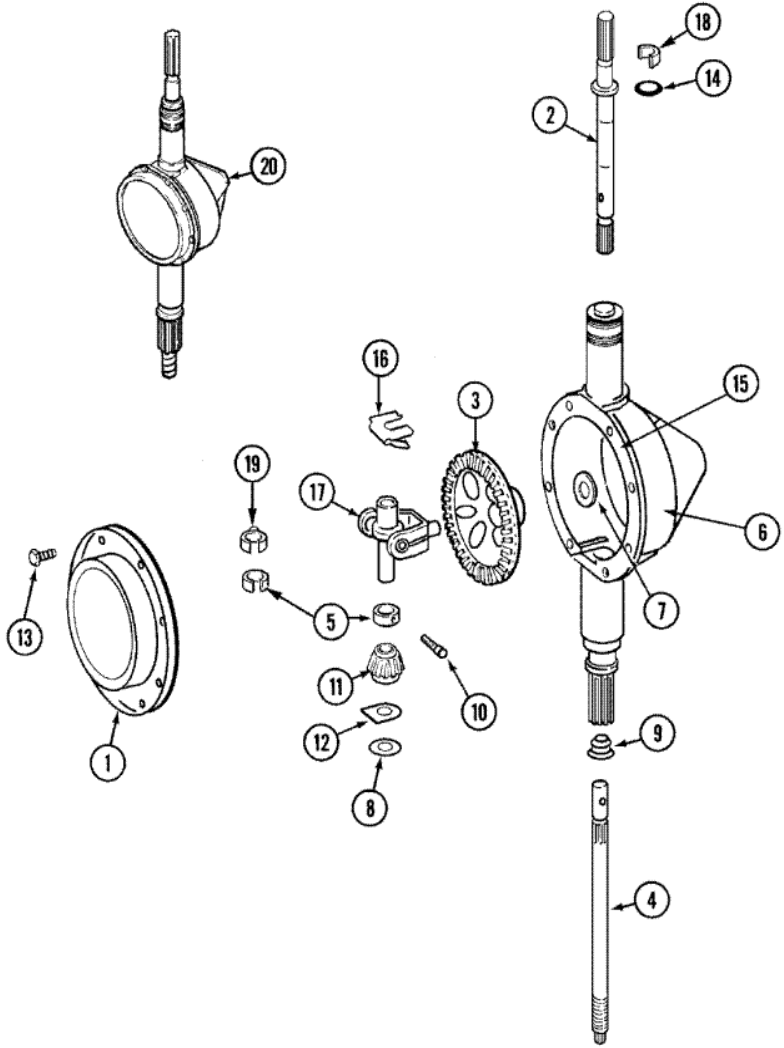




## MAT13MNAAW CUBIERTA

1	211726	HINGE, BALL (S/P)
2	207159	SCREW (S/P)
2	22001298	CAP, TOP COVER
3	207167	BLOCK, FUSE
4	22002135	BRACKET, UNBALANCE (S/P)
5	207166	SWITCH, CHECK
6	22001681	LEVER ASSY. (UNBALANCE) (S/P)
6	22001969	UNBALANCE LEVER ASSEMBLY (S/P)
7	213720	SPRING (S/P)
8	211881	GROMMET, CORD (S/P)
9	22002137	TOP, MAIN (WHT-NONBLEACH) (S/P)
10	22001555	FUSE
11	22001968	LEVER, UNBALANCE (S/P)
11	22001672	LEVER, UNBALANCE (S/P)
12	301548	CLAMP, GROUND (W/SCREW) (S/P)
13	210186	<b>DESCONTINUADO</b>
13	204807	GRND.WIRE, SUPP.PLTE TO TOP CVR (S/P)
14	22001893	LID (WHT W/LEGEND) (S/P)
15	212716	BUMPER, LID
16	205415	SWITCH, LID (W/O TUB LIGHT)
16	12001908	SWITCH, LID
17	216255	PLUNGER, UNBALANCE (S/P)
18	211500	WASHER, BRACKE TO TOP COVER (S/P)
19	22001678	BRACKET, SWITCH & FUSE
20	22003062	CORD, POWER (S/P)
20	204590	CORD, POWER (S/P)
21	204445	SCREW & FASTENER ASY. (S/P)
24	22001352	SCREW, CHECK SWITCH (S/P)
25	213501	SCREW, No.6-20 X 1-1/8 INCH (S/P)
26	Y311711	SCREW (S/P)
27	910182	SCREW (S/P)
28	22001682	SWITCH ASSY., LID W/4AMP FUSE

**MAT13MNAAW TRANSMISION**





## MAT13MNAAW TRANSMISION

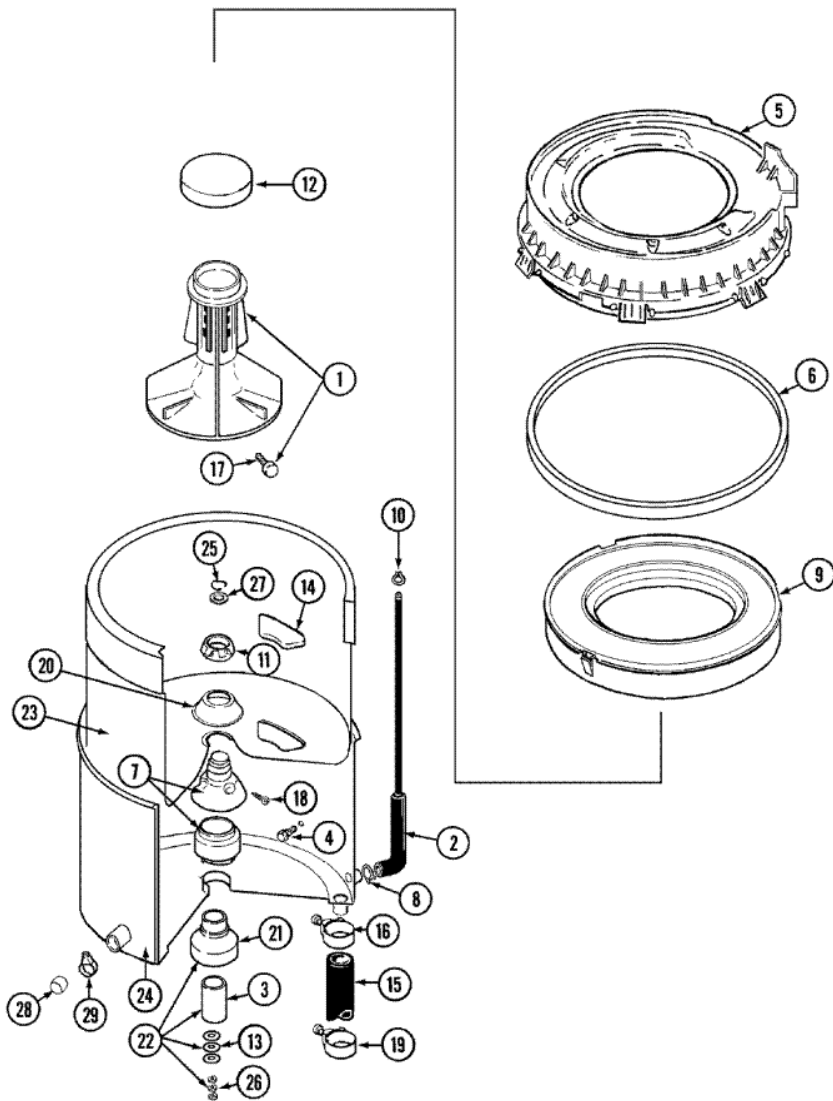
1	206628	COVER, TRANSMISSION (S/P)
2	22002132	SHAFT, AGITATOR (W/SPRING)
2	22002415	SHAFT, AGITATOR
3	206713	GEAR, BEVEL
4	12001450	CENTER SHAFT – LARGER (S/P)
4	22002342	SHAFT, CENTER (DEEP TUB) (S/P)
5	22002353	COLLAR, CENTER SHAFT
5	215415	<b>DESCONTINUADO</b>
6	22002126	HOUSING, TRANSMISSION
6	22002416	ASSEMBLY, CASE CASTING DEEP (S/P)
6	Y056080	TRANS LUBE - AUTO, 34 OZ. (S/P)
7	215394	WASHER, BEVEL GEAR (S/P)
8	211483	WASHER, SPLINED
9	207843	SEAL, LIP (CENTER SHAFT)
10	206629	PIN, COLLAR
11	215401	PINION
12	215395	PLATE, CLUTCH
13	215417	SCREW, TRANSMISSION COVER (S/P)
14	210690	SEAL, RUBBER
14	22002417	O-RING AGITATOR SHAFT
15	Y058700	SILASTIC, ADH.SEALANT (S/P)
16	215581	SPRING, AGITATOR SHAFT
17	206685	BLOCK, TORQUE AND YOKE ASSEMBL
18	22002340	COLLAR, AGITATOR SHAFT
19	22002341	COLLAR, LOWER PLASTIC KEEPER
20	22002126	TRANS (DEEP TUB, COMPLETE)
20	22002126	TRANSMISSION, ORBITAL

Distribuidor Autorizado

SurteRápido.com

Venta de Refacciones  
Electrodomesticas

MAT13MNAAW TINA





## MAT13MNAAW TINA

1	207228	AGITATOR W/LOCK SCREW
2	22001619	AIR DOME AND TUBE
3	2-11130	LINER, TUB BEARING
4	205254	BOLT & GASKET ASSEMBLY (LONG) (S/P)
4	200744	BOLT & GASKET ASSY.(SHORT) (S/P)
5	22001299	TUB COVER & GASKET ASSEMBLY (S/P)
6	22001007	GASKET, TUB COVER (S/P)
7	22204012	MOUNTING STEM AND SEAL KIT
8	211641	CLAMP, 1-1/16`` (S/P)
9	22001142	RING, BALANCE (W/CONCRETE) (S/P)
10	410296	CLAMP, WATER LEVEL SWTCH TUBE (S/P)
11	211047	NUT, CLAMPING (INNER TUB) (S/P)
12	216251	CAP, AGITATOR (WHT)
13	211100	WASHER, CUSHION (S/P)
14	215980	PLUG, FILTER HOLE (S/P)
15	213045	DRAIN HOSE-TUB TO PUMP
16	201011	CLAMP, HOSE (TUB OUTLET) (S/P)
17	206478	SCREW & WASHER FOR AGITATOR
18	211618	SET SCREW, MTG. STEM (S/P)
19	3367052	CLAMP, HOSE (S/P)
20	211210	WASHER, CLAMPING NUT(STAINLESS) (S/P)
21	2-4013	BEARING, TUB
22	2-4013	TUB BEARING REPAIR KIT
23	22001139	TUB, INNER (EX. LARGE) (S/P)
24	22001114	TUB, OUTER (XL) AS PKD (S/P)
25	Y015667	RETAINING RING (S/P)
26	Y054867	WASHER, LOCK (S/P)
27	Y015666	WASHER, RETAINING(CTR SEAL)---S (S/P)
28	214725	CAP FOR SPOUT-OUTER TUB (S/P)
29	214739	SPRING HOSE CLAMP (S/P)