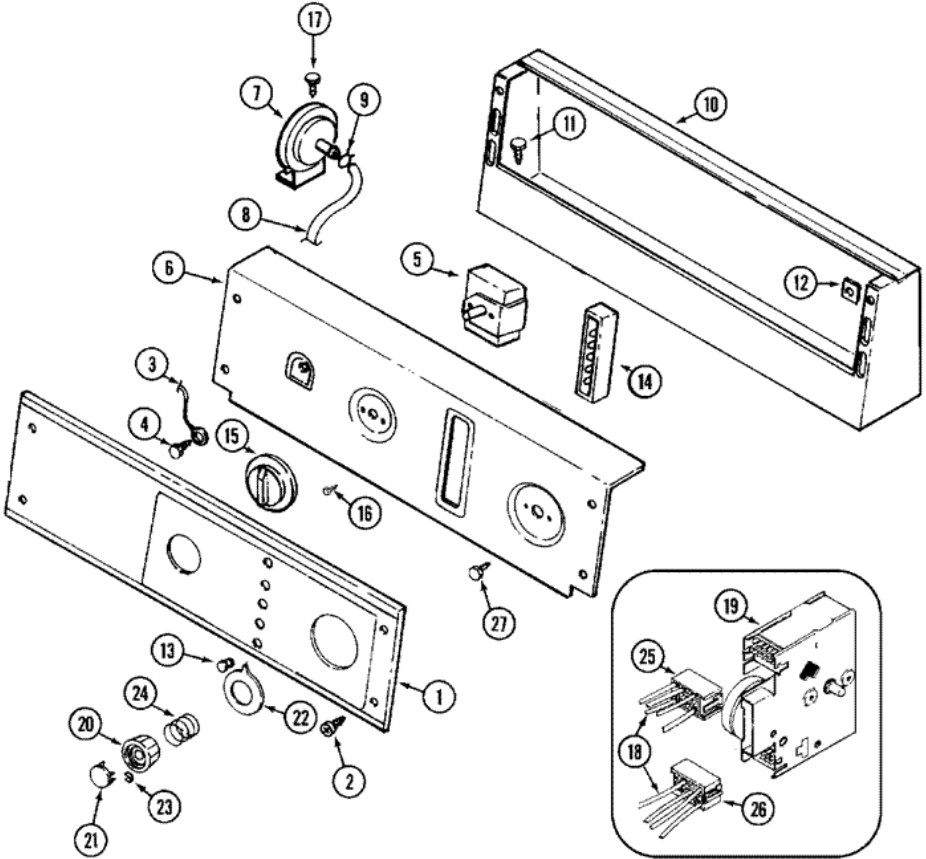


**MAT13MNDAW TABLERO**

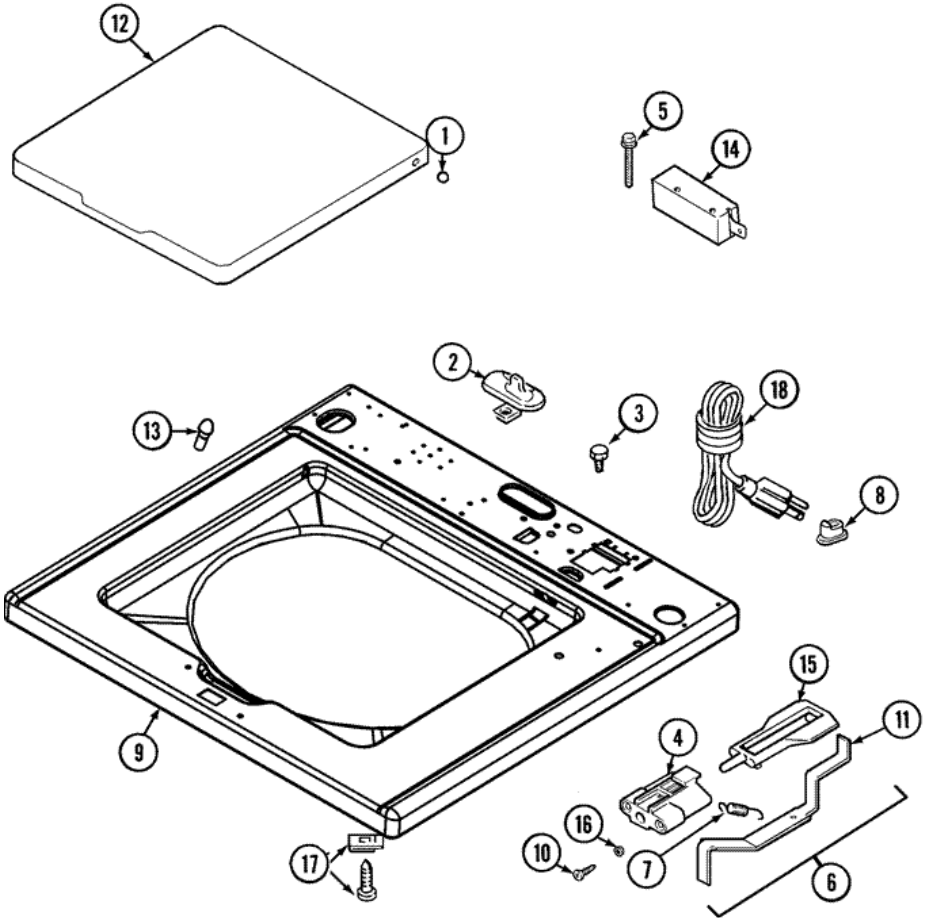




**MAT13MNDAW TABLERO**

1	22004328	10	CONTROL PANEL W/LENS
2	215506	10	SCREW, TORX
3	22001959	10	WIRE, GROUND
4	22003817	10	SCREW, SERRATED WASHER HEAD HX
5	205353	10	SWITCH, TEMP.
6	22003100	10	BRACKET, BACK (WHT)
7	203263	10	SWITCH, WATER LEVEL
8	22001619	10	TUBE, AIR
9	410296	10	CLAMP, WATER LEVEL SWTCH TUBE
10	22003093	10	CONSOLE (WHT)
11	211294	10	SCREW
11	Y313559	10	SCREW
12	215003	10	FASTENER
13	215564	10	LENS, INDICATOR (AMBER)
14	206881	10	INDICATOR, 5 LIGHT 115V
15	206894	10	KNOB W/BUMP
16	Y313588	10	SCREW
17	211294	10	SCREW
18	NLA	10	WIRE HARNESS KIT----NA
18	22004394	11	HARNESS, WIRE
19	22001082	10	TIMER
20	206892	10	CONTROL KNOB
21	314723	10	CAP FOR TIMER KNOB
22	22001571	10	BEZEL, TIMER DIAL (BLK)
23	211605	10	RETAINER, TIMER KNOB
24	211065	10	SPRING, TIMER KNOB
25	22001885	10	HOUSING, CONNECTOR (RT)----N
26	22001886	10	HOUSING, CONNECTOR (LT)
27	216412	10	SCREW

**MAT13MNDAW CUBIERTA**

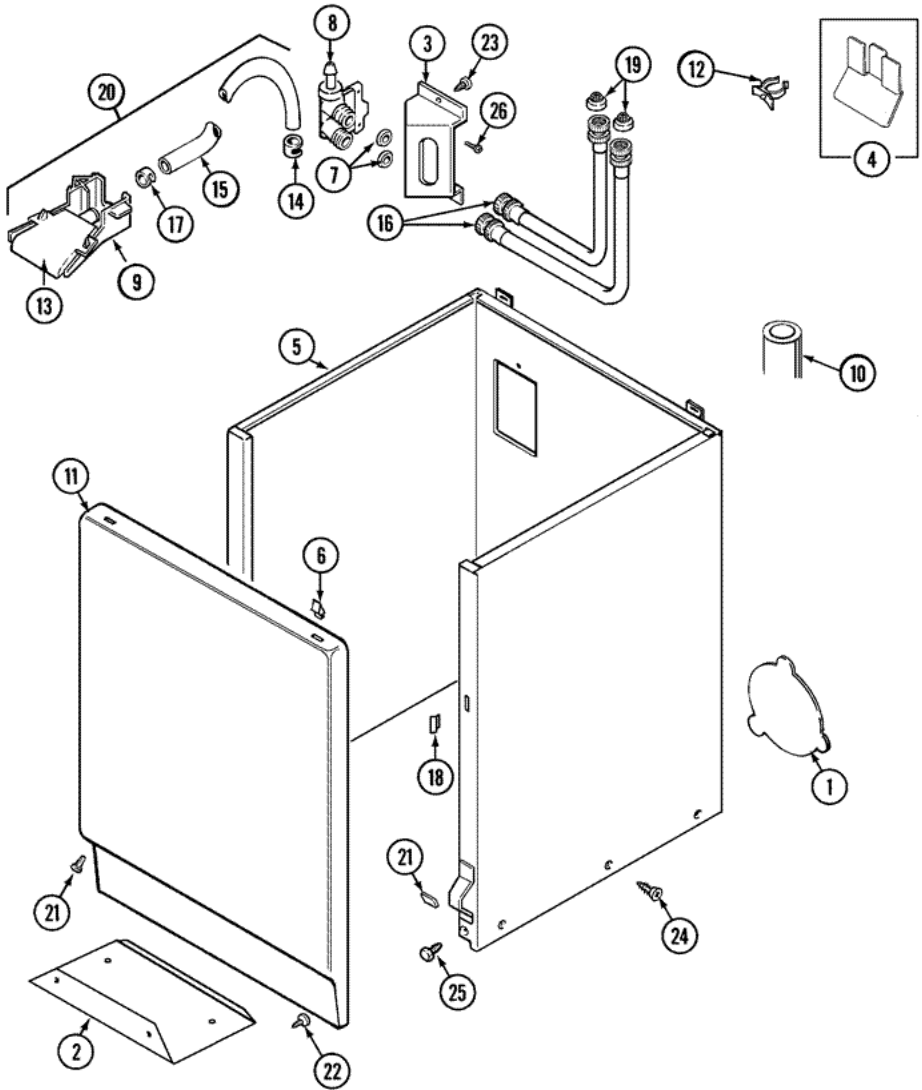




## MAT13MNDAW CUBIERTA

1	211726	10	HINGE, BALL
2	207159	10	SCREW, CAP
2	22001298	10	CAP, TOP COVER
3	210186	10	SCREW, GROUND WIRE
4	22002135	10	BRACKET, UNBALANCE
5	213501	10	SCREW, LID SWITCH
6	22001969	10	UNBALANCE LEVER ASSEMBLY
7	213720	10	SPRING
8	211881	10	GROMMET, CORD
9	22002137	10	COVER ASSY., TOP (WHT-PR)
10	910182	10	SCREW, PLUNGER BRACKET
11	22001672	10	LEVER, UNBALANCE
12	22001893	10	LID (W/LEGEND-WHT)
13	212716	10	BUMPER, LID
14	22004243	10	SWITCH, LID
15	216255	10	PLUNGER, LID SWITCH
16	211500	10	WASHER, BRACKET
17	204445	10	SCREW & FASTENER ASSEMBLY
18	22003027	10	CORD, POWER (AS WRAP)

**MAT13MNDAW GABINETE**

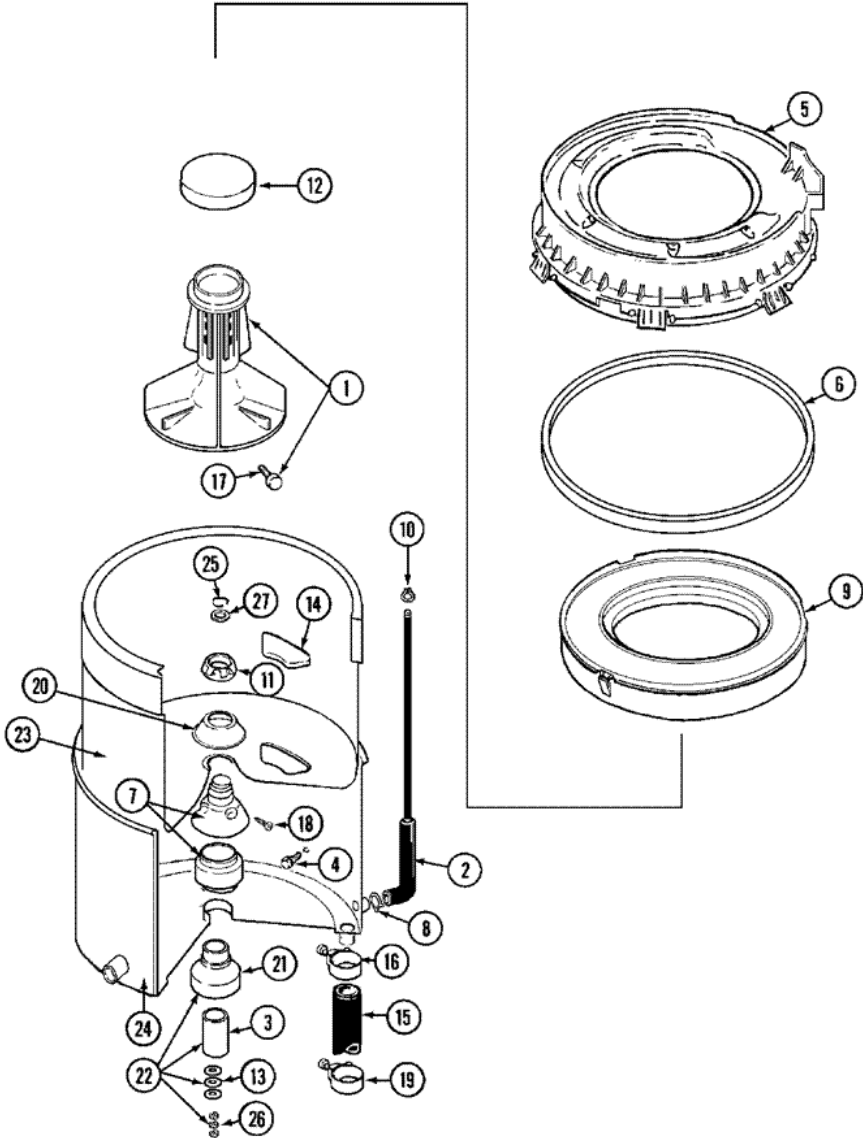




## MAT13MNDAW GABINETE

1	211294	10	SCREW
1	22002924	10	PLATE, COVER (W/HOLE)
1	NLA	10	PLATE, ACCESS
2	213846	10	GUARD, BELT
3	22002361	10	BRACKET, VALVE
4	22001972	10	CLIP, CABINET
5	NLA	10	CABINET (WHT)
6	22001650	10	FASTENER, SPRING
7	Y013783	10	GASKET, INLET HOSE
8	22001275	10	VALVE, WATER
9	22001187	10	INJECTOR (UPR)
10	22003410	10	HOSE, DRAIN
11	22001803	10	PANEL, FRONT (WHT)
12	22002151	10	CLIP, HOSE
13	22001186	10	INJECTOR (LWR)
14	216169	10	CLAMP, HOSE-INJEC.HOSE TO VALVE
15	22001190	10	HOSE, INJECTOR
16	22003682	10	INLET HOSE ASSY (COLD)
16	22003683	10	INLET HOSE ASSY (HOT)
17	216170	10	CLAMP, HOSE
18	214376	10	SPACER, FRONT PANEL
19	22002960	10	STRAINER, WASHER INLET
20	22001304	10	INJECTOR ASSY., WATER
21	22001496	10	SCREW, TORX
22	211294	10	SCREW
23	22003817	10	SCREW, SERRATED WASHER HEAD HX
24	213007	10	SCREW, CABINET
25	213121	10	SCREW
25	213122	10	SCREW, CBNT.TO FRNT OF BASE--NA
26	Y313561	10	SCREW----NA

**MAT13MNDAW TINAS**



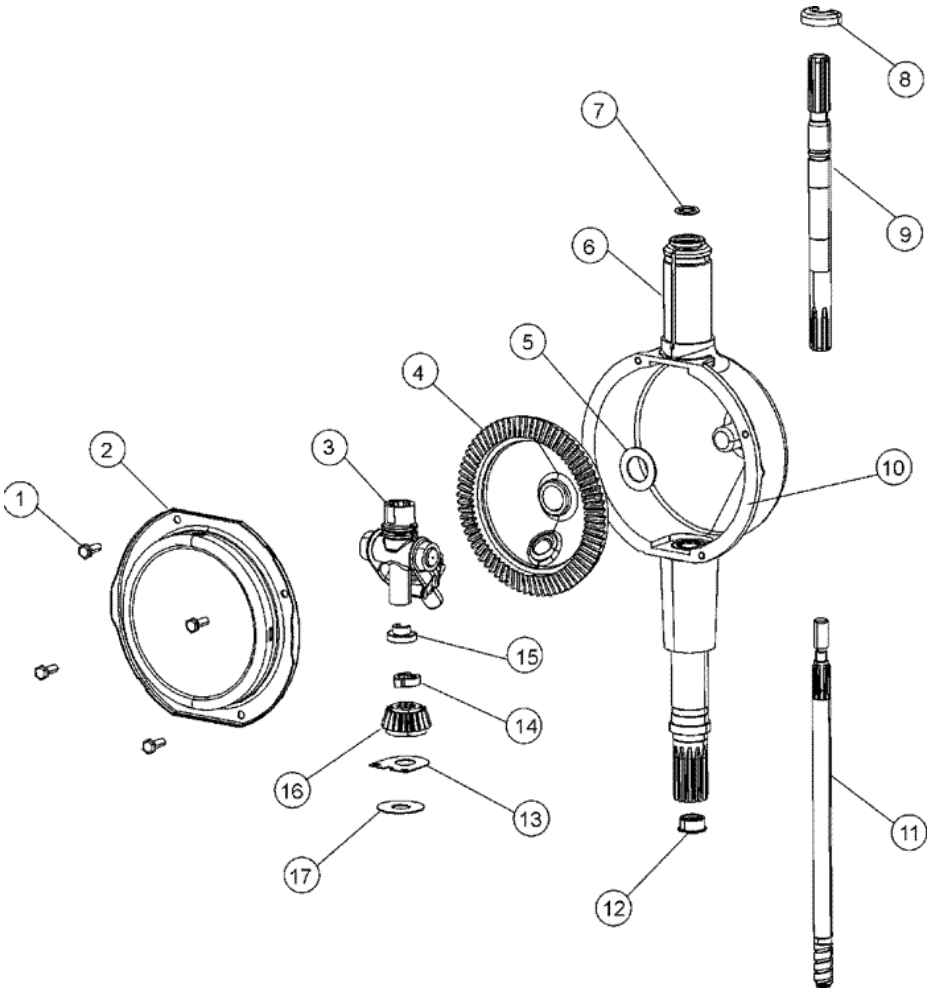


## MAT13MNDAW TINAS

1	NLA	10	RETAINER LOCK & NUT ZB323
2	22001619	10	TUBE, AIR
3	211130	10	LINER, TUB BEARING
4	200744	10	BOLT & GASKET ASSY.(SHORT)
4	205254	10	BOLT & GASKET ASSEMBLY (LONG)
5	22001299	10	TUB COVER & GASKET ASSEMBLY
6	Y22001201	10	GASKET, TUB COVER
7	22001648	10	MOUNTING STEM AND SEAL KIT
8	211641	10	CLAMP, 1-1/16``
9	22001142	10	RING, BALANCE (W/CONCRETE)
10	410296	10	CLAMP, WATER LEVEL SWITCH TUBE
11	211047	10	NUT, CLAMPING (INNER TUB)
12	216251	10	CAP, AGITATOR (WHT)
13	211100	10	WASHER, CUSHION
14	215980	10	PLUG, TUB
15	213045	10	DRAIN HOSE-TUB TO PUMP
16	22001640	10	CLAMP, HOSE
17	206478	10	SCREW & WASHER ASSEMBLY
18	22001423	10	SET SCREW, MOUNTING STEM
19	22001640	10	CLAMP, TUB HOSE
20	211210	10	WASHER, CLAMPING NUT
21	200824	10	BEARING, TUB
22	204013	10	TUB BEARING REPAIR KIT
23	22001139	10	TUB, INNER (EX. LARGE)
24	22001114	10	TUB, OUTER (EX. LARGE)
25	Y015667	10	RETAINING RING
26	Y054867	10	WASHER, LOCK
27	Y015666	10	WASHER, RETAINING



**MAT13MNDAW TRANSMISION**

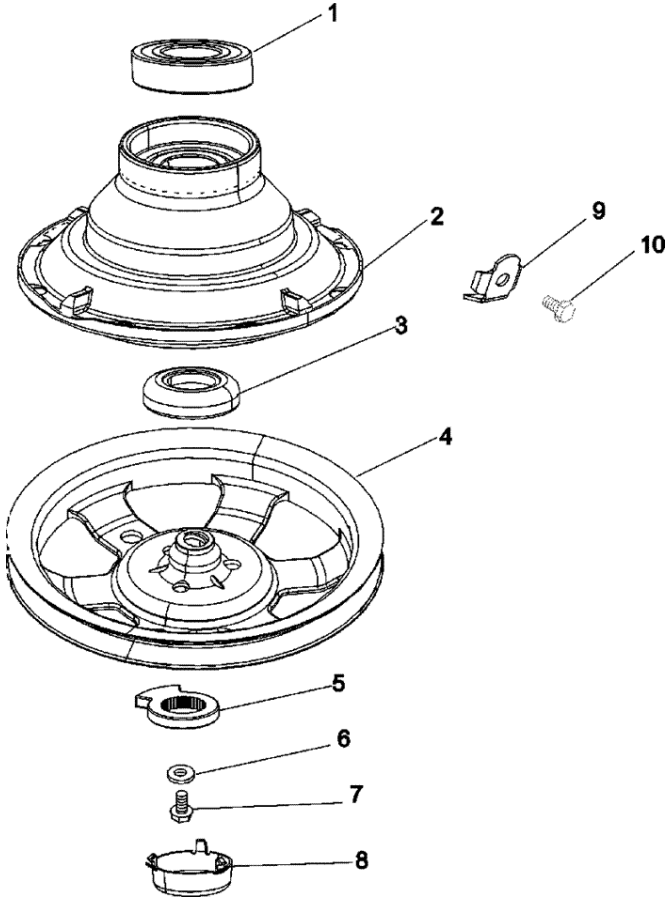




## MAT13MNDAW TRANSMISION

1	215417	10	SCREW, TRANSMISSION COVER
2	206628	10	COVER, TRANSMISSION
3	206685	10	BLOCK, TORQUE AND YOKE ASSEMBL
4	206713	10	GEAR, BEVEL
5	215394	10	WASHER, BEVEL GEAR
6	22002537	10	HOUSING, TRANSMISSION (SHW)
7	22002417	10	O-RING AGITATOR SHAFT
8	22002340	10	COLLAR, AGITATOR SHAFT
9	22002415	10	SHAFT, AGITATOR
10	Y058700	10	SILASTIC, ADH.SEALANT
11	22002342	10	SHAFT, CENTER (DEEP TUB)
12	207843	10	LIP SEAL REPAIR KIT
13	215395	10	PLATE, CLUTCH
14	22002353	10	COLLAR, CENTER SHAFT
15	22002341	10	COLLAR, LOWER PLASTIC KEEPER
16	215401	10	PINION
17	211483	10	WASHER, SPLINED
18	22002126	10	TRANS (DEEP TUB, COMPLETE)

**MAT13MNDAW BALERO**





## MAT13MNDAW BALERO

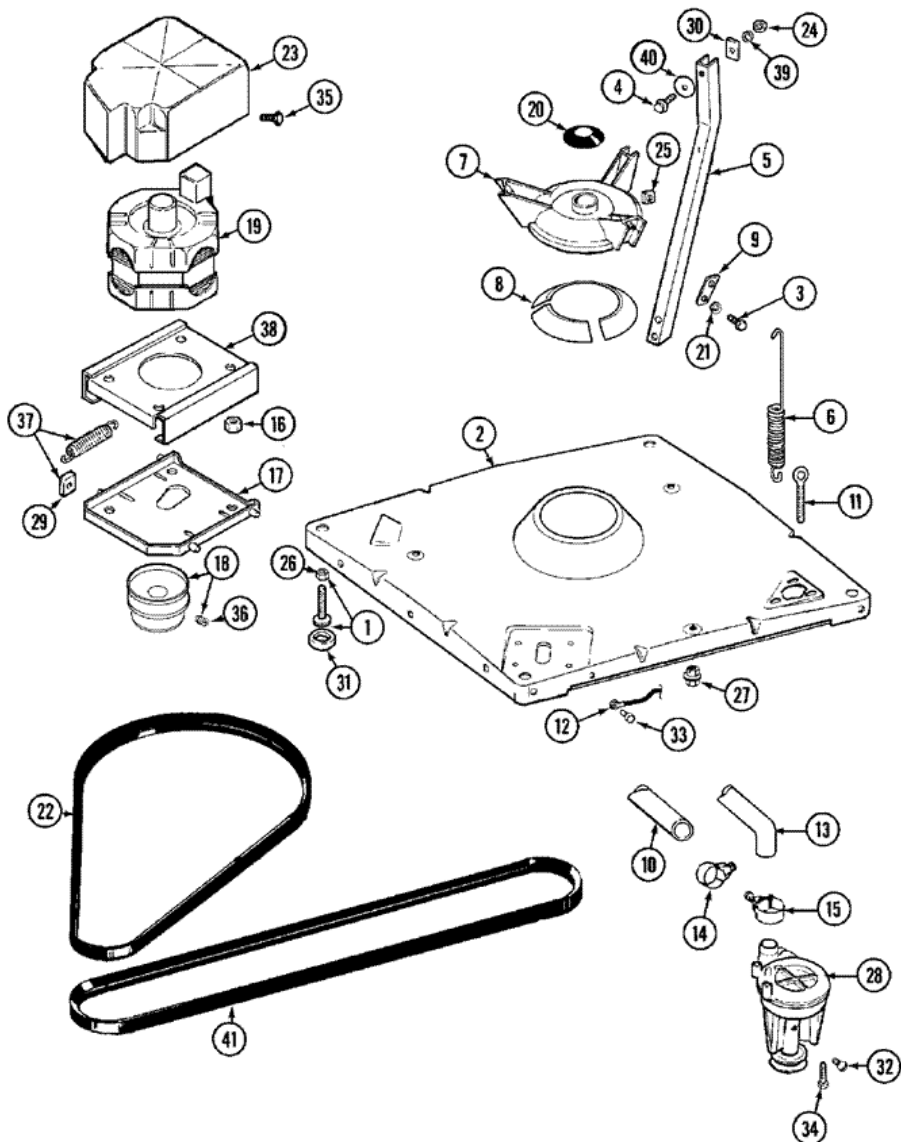
1	Y200720	10	BALL BEARING, RADIAL----S
2	201190	10	BRAKE ASSEMBLY
3	200835	10	BEARING, BRAKE ROTOR
4	22002429	10	PULLEY
5	211089	10	LUG, STOP
6	211090	10	WASHER, LOCK (DRIVE LUG)
7	211375	10	SCREW, DRIVE LUG
8	22002428	10	COVER, DUST (PLASTIC)
9	213325	10	CLIP, RETAINER
10	213326	10	BOLT, RETAINING CLIP

Distribuidor Autorizado

SurteRápido.com

Venta de Refacciones  
Electrodomesticas

## MAT13MNDAW BASE





## MAT13MNDAW BASE

1	22003428	10	LEG, ADJUSTABLE (W/NUT)
2	22002150	10	BASE (W/DAMPER PADS)
3	Y015627	10	SCREW, HEX HD CAP 5/16 X 5/8
4	200744	10	BOLT & GASKET ASSY.(SHORT)
4	205254	10	BOLT & GASKET ASSEMBLY (LONG)
5	213100	10	BRACE, TUB
6	22001300	10	SPRING, CENTERING
7	203725	10	DAMPER W/BOLT & CLIP
8	203956	10	DAMPER PAD KIT (W/POLY LUBE)
9	213073	10	WASHER, DOUBLE
10	22003410	10	HOSE, DRAIN
11	216416	10	BOLT, EYE/CENTERING SPRING
12	901220	10	WIRE, GROUND
13	213045	10	DRAIN HOSE-TUB TO PUMP
14	Y22001820	10	CLAMP, HOSE
15	22001640	10	CLAMP, HOSE
16	Y311426	10	NUT, MOTOR BASE
17	22001301	10	MOUNT, MOTOR LOWER-ASSEMBLY
18	200816	10	PULLEY, MOTOR (W/SET SCREW)
19	201805	10	MOTOR (ONE SPEED)
19	22004301	11	MOTOR, 1 SPEED 120V 60HZ
20	22001511	10	DEFLECTOR, WATER (W/ADHESIVE)
21	911852	10	WASHER, LOCK (BRACE)
22	211125	10	V BELT, DRIVE PULLEY
23	215098	10	SHIELD, MOTOR
24	Y052734	10	NUT, BRACE (TUB)
25	Y052785	10	NUT, BRACE (DAMPER)
26	210385	10	NUT, LOCK
27	211949	10	NUT, EYEBOLT
28	202203	10	PUMP AS PAK

29	Y204998	10	GLIDE KIT (4 W/POLY LUBE)
30	212979	10	WASHER, TUB BRACE
31	210684	10	FOOT, RUBBER
32	Y015408	10	SCREW, BEARING INSERT
33	210186	10	SCREW, GROUND WIRE
34	211880	10	SCREW, PUMP
35	213121	10	SCREW, MOTOR SHIELD
36	Y053241	10	SET SCREW, MOTOR PULLEY
37	205000	10	GLIDE & SPRING KIT
38	214956	10	PLATE, MOTOR MOUNT (UPR)
39	Y054867	10	WASHER, LOCK (BRACE)
40	211100	10	WASHER, CUSHION (BRACE)
41	211124	10	V BELT, PUMP