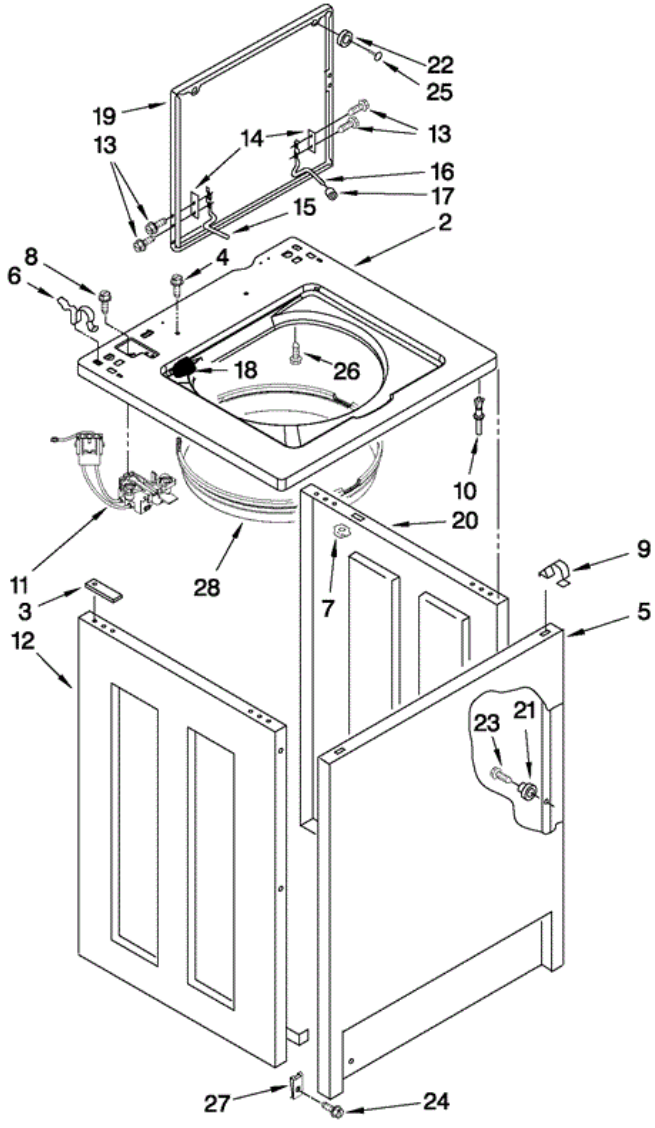


MAT15MNAWW1 GABINETE

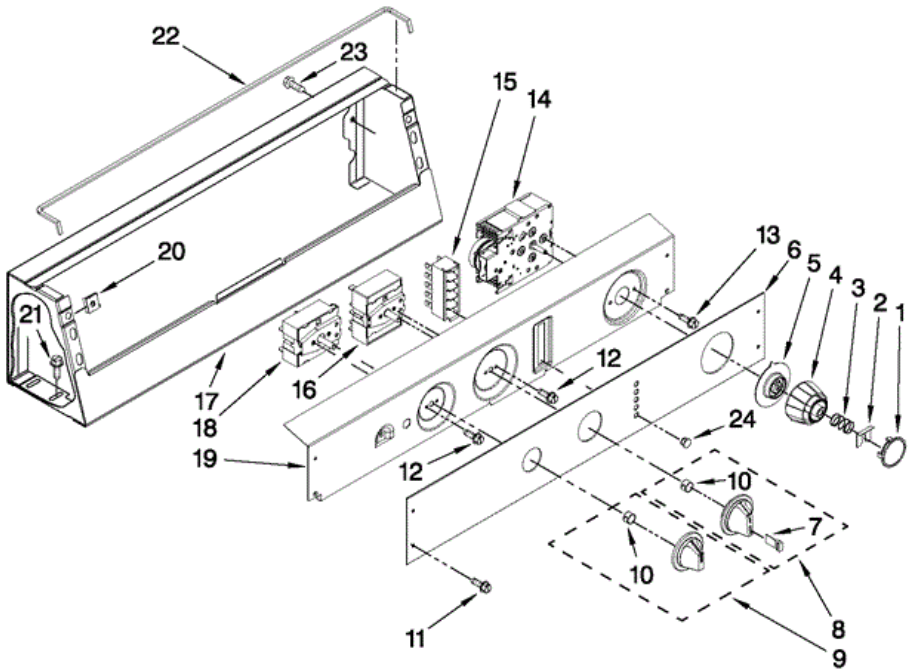




MAT15MNAWW1 GABINETE

2	W10136709	TOP
3	3353950	SPACER, CABINET TO TOP (4)
4	3351614	SCREW, 10-24 X 3/8
5	3358500	PANEL, FRONT
6	62780	CLIP, TOP & CABINET & REAR PANEL (2)
7	90406	CAGE NUT
8	3400611	SCREW & WASHER, LID SWITCH (2)
9	18776	LOCK (2)
10	3353949	PIN, LOCATOR (2)
11	8054980	SWITCH, LID
12	3976382	PANEL L.H.
13	W10119828	SCREW, LID HINGE MOUNTING (4)
14	21097	PAD, LID HINGE (2)
15	8524784	HINGE, LID (L.H.)
16	54583	HINGE, LID R.H.
17	19119	BUMPER, LID HINGE
18	21258	BEARING, LID HINGE (2)
19	W10171146	LID
20	3976380	PANEL R.H.
21	3353812	LOCATOR (4)
22	356908	BUMPER, LID
23	718258	SCREW (4)
24	3400077	SCREW, 10-16 X 1/2
25	356907	RIVET, PLASTIC
26	3353993	SCREW 10-16 X .690
27	W10004930	CLIP, U-BEND (2)
28	8271956	SHIELD ASSEMBLY

MAT15MNAWW1 TABLERO





MAT15MNAWW1 TABLERO

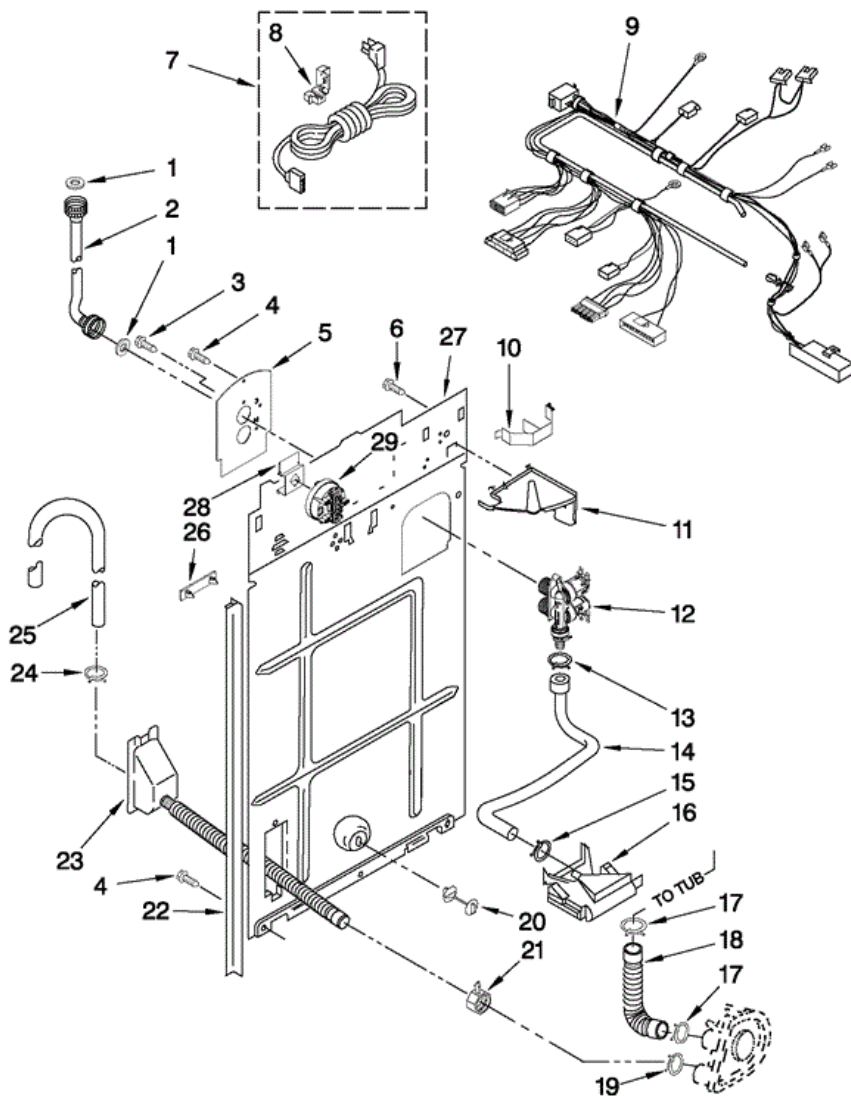
1	W10133501	CAP, KNOB
2	W10137328	RETAINER, KNOB
3	W10133497	SPRING, TIMER KNOB
4	W10133500	KNOB, CONTROL
5	W10133496	SKIRT, DIAL
6	W10135337	FACIA / OVERLAY
7	W10141516	BUMPER, LID
8	W10133503	KNOB & BUMPER ASSEMBLY
9	W10133504	KNOB
10	W10140928	CLIP, KNOB
11	W10131119	SCREW, 8-18 X 1/2
12	W10139100	SCREW, 8-32 X 1/4
13	W10139761	SCREW, 10-32 X 3/8
14	W10130353	TIMER
15	W10135690	INDICATOR, FIVE LIGHT
16	W10330139	SWITCH, CYCLE SELECTOR
17	W10205150	CONSOLE
18	W10330138	SWITCH, 2 WAY LOAD SIZE
19	W10124212	BRACKET, CONTROL
20	W10131123	NUT, NO.8 U TYPE
21	3390631	SCREW, 10-16 X 3/8
22	8318396	FOAM-SEAL
23	489290	SCREW 8-18 X 1/2
24	W10133502	LENS, AMBER INDICATOR

Distribuidor Autorizado

SurteRápido.com

Venta de Refacciones
Electrodomesticas

MAT15MNAWW1 MANGUERAS

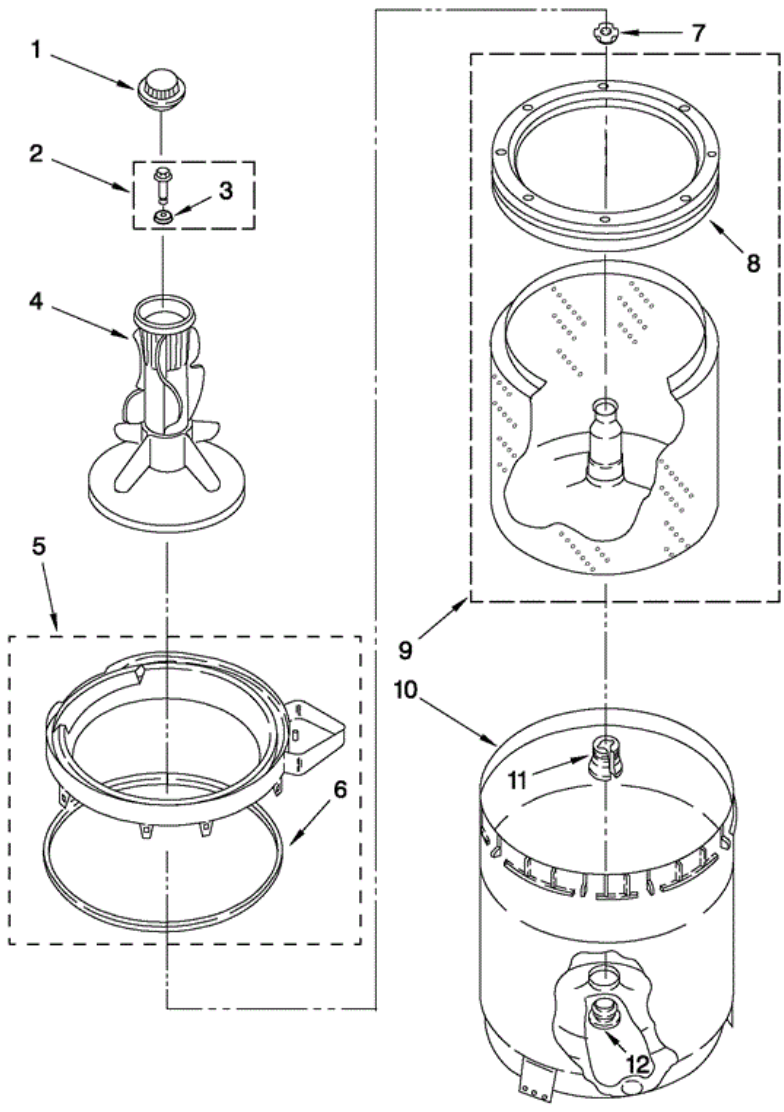




MAT15MNAWW1 MANGUERAS

1	3976300	WASHER, WATER INLET HOSE (4) 1-1/16 X 5/8
2	3949380	HOSE, WATER INLET (2) (BLUE COUPLER)
2	3949381	HOSE, WATER INLET (2) (RED COUPLER)
3	9740848	SCREW, 8-18 X 1/2
4	62863	SCREW, 10-16 X 3/8
5	8541624	PLATE, MIXING VALVE
6	3351614	SCREW, 10-24 X 3/8
7	3976231	CORD, POWER
8	3952821	STRAIN RELIEF, POWER CORD TO REAR PANEL
9	W10177765	HARNES, WIRING (FOR DETAIL SEE PAGES 12 & 13)
10	8055003	CLIP, HARNES & PRESSURE HOSE
11	8539874	SHIELD, SUDS
12	W10151480	VALVE, WATER INLET W/BI METAL
13	301958	CLAMP, HOSE
14	8317974	HOSE, VACUUM BREAK
15	370450	CLAMP, HOSE
16	387606	VACUUM BREAK
17	3363366	CLAMP, HOSE
18	3951449	HOSE, PUMP TO TUB (INCLUDES ITEM 17)
19	W10142630	CLAMP, HOSE
20	8519200	SUPPORT, REAR PANEL
21	3976395	CLAMP, HOSE
22	3354204	PAD, REAR PANEL
23	W10358151	DRAIN HOSE ASSY. (INCLUDES ITEM 21)
24	8317496	CLAMP, HOSE
25	W10141216	HOSE, DISCHARGE GOOSENECK
26	389379	RETAINER, SIDE TO FEATURE PANEL (2)
27	8541652	PANEL, REAR
28	W10133269	BRACKET, PRESSURE SWITCH
29	W10414161	PRESSURE SWITCH TRIPLE - LEVEL

MAT15MNAWW1 TINAS

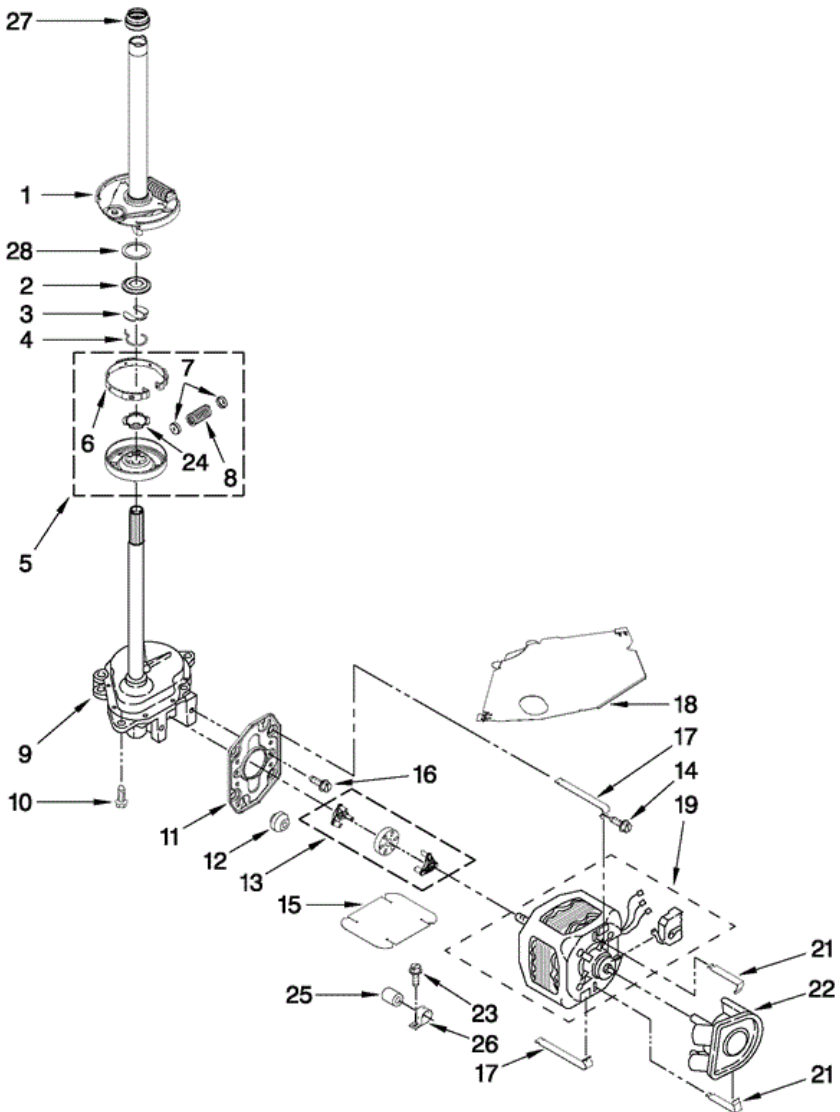




MAT15MNAWW1 TINAS

1	W10131111	CAP, AGITATOR
2	W10003790	SCREW & WASHER ASSEMBLY
3	3949550	WASHER
4	W10131112	AGITATOR
5	8528150	TUB RING
6	3976308	GASKET, TUB RING
7	21366	NUT, SPANNER
8	387240	BALANCE RING
9	W10389329	CLOTHES CONTAINER ASSEMBLY
10	W10135425	TUB
11	389140	BLOCK, DRIVE
12	383727	GASKET, CENTERPOST

MAT15MNAWW1 MOTOR

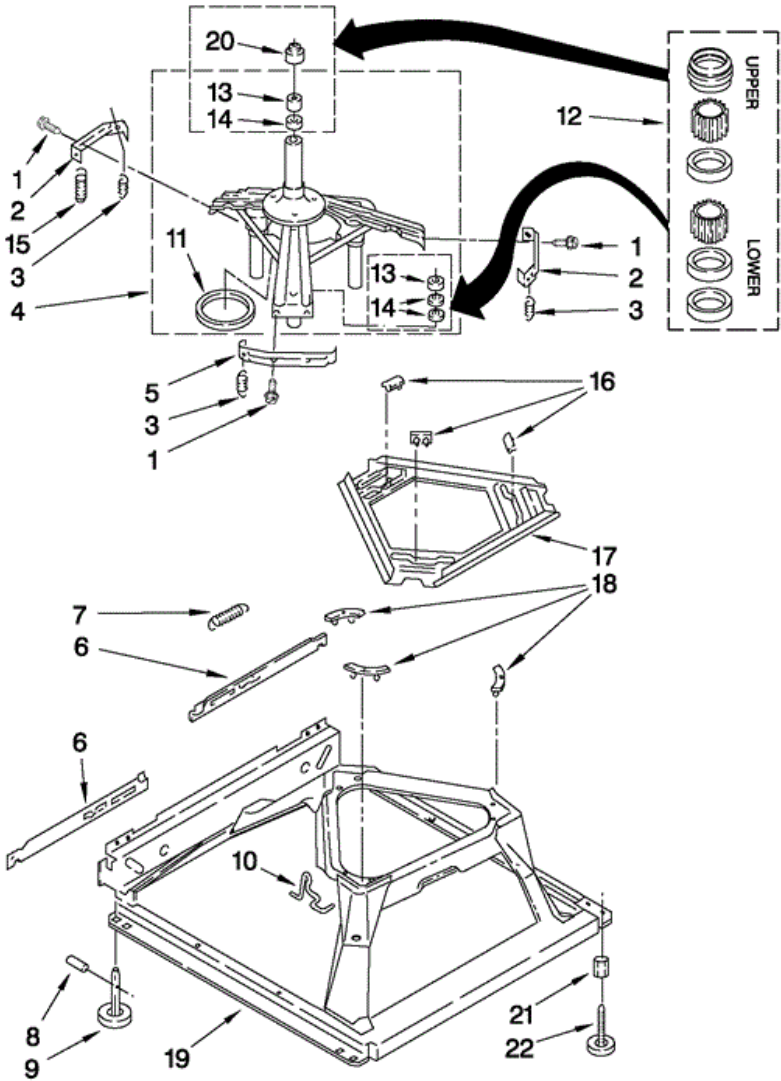




MAT15MNAWW1 MOTOR

1	388952	BRAKE & DRIVE TUBE (COMPLETE)
2	63292	WASHER, SPIN TUBE THRUST
3	62697	RING, SPIN TUBE SUPPORT
4	63283	RING, RETAINER
5	8299642	CLUTCH (COMPLETE)
6	3951993	BAND & LINING ASSEMBLY
7	62646	CAP, CLUTCH SPRING (2)
8	8559387	SPRING & DAMPER ASSEMBLY
9	W10140301	GEARCASE (COMPLETE)
10	3357334	SCREW, GEARCASE TO BASE (3)
11	62611	PLATE, MOTOR MOUNT TO GEARCASE
12	62691	GROMMET, MOTOR (4)
13	3978849	COUPLING, MOTOR AND ISOLATION
14	3387485	SCREW NO.10-16 X 5/8
15	3946532	SHIELD, MOTOR
16	3400516	SCREW
17	W10086010	RETAINER, MOTOR (2)
18	3362089	SHIELD, TUB TO MOTOR
19	W10153111	MOTOR, MAIN DRIVE
21	8546127	RETAINER, PUMP (2)
22	3363394	PUMP (COMPLETE)
23	62863	SCREW, 10-16 X 3/8
24	3355454	CLIP, ANTI- RATTLE
25	8572717	CAPACITOR
26	3949496	CLAMP, CAPACITOR
27	8577374	SEAL
28	8578981	WASHER, THRUST

MAT15MNAWW1 BASE

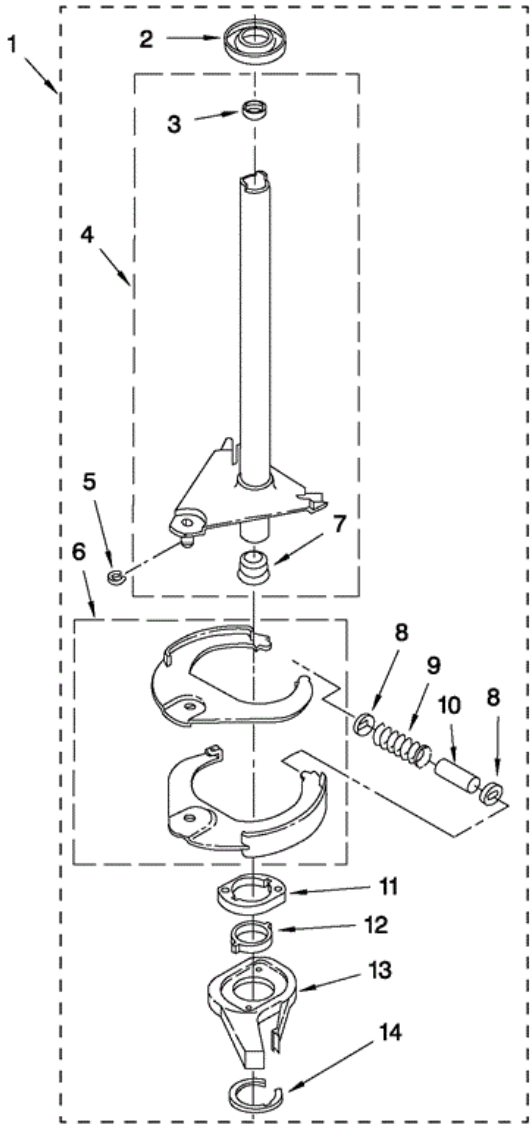




MAT15MNAWW1 BASE

1	3400076	SCREW, BRACKET MOUNTING (10-32 X 5/8)
2	64067	BRACKET, SPRING OUTER (2)
3	63907	SPRING, SUSPENSION(3)
4	3362087	TUB & BRAKE SUPPORT
5	64065	BRACKET, SPRING OUTER (L.F.)
6	63466	LINK, LEVELING MECHANISM (2)
7	62597	SPRING, LEVELING MECHANISM
8	62837	PIN, KNURLED
9	62596	FOOT, REAR (2)
10	W10145155	RETAINER, SUSPENSION SPRING
11	63134	RING, SOUND DEADENING
12	285203	CENTERPOST BEARING KIT (INCLUDES 13, 14 & 20)
13	8546455	BEARING, CENTERPOST
14	357409	SEAL, CENTERPOST
15	8534035	SPRING, COUNTERWEIGHT
16	62568	PAD, PLATE
17	3946509	PLATE, SUSPENSION (INCLUDES ITEM 16)
18	3363660	PAD, BASE
19	3946512	BASE ASSEMBLY (INCLUDES ITEMS 6, 7, 8, 9, 10 & 18)
20	8577376	SEAL, CENTERPOST
21	3359452	NUT, LOCK (3/8-16)
22	W10001130	FOOT, FRONT (2)

MAT15MNAWW1 FLECHA HUECA

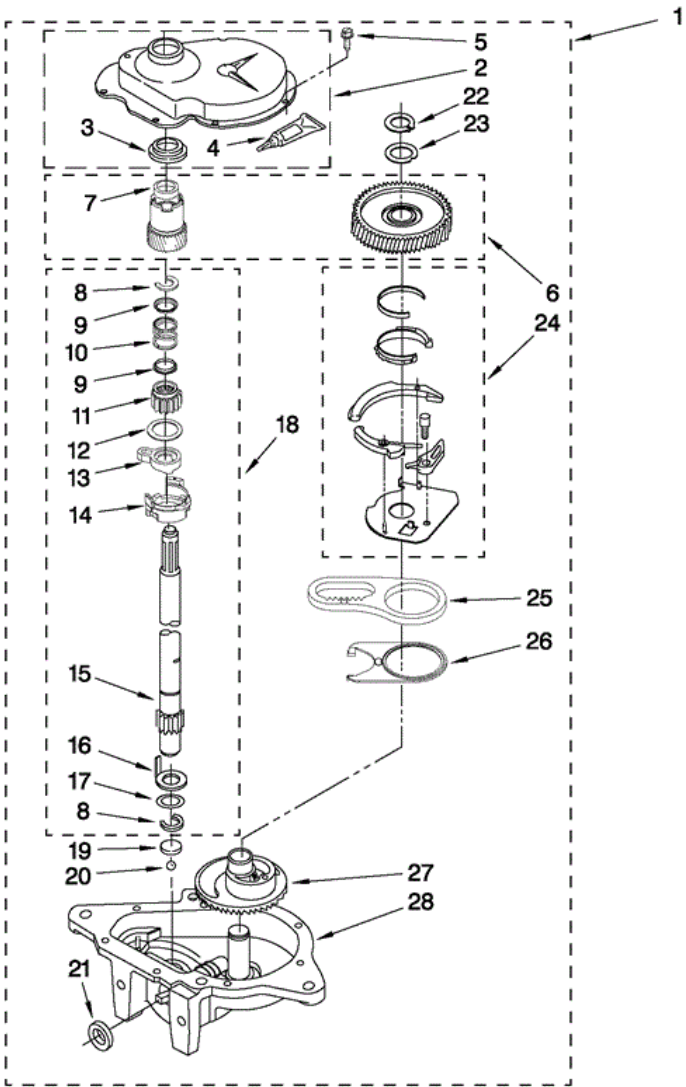




MAT15MNAWW1 FLECHA HUECA

1	388951	BRAKE AND DRIVE TUBE (COMPLETE)
2	62658	RING, THRUST
3	356427	SEAL, DRIVE TUBE
4	64027	TUBE, BASKET DRIVE (INCLUDES ILLUS. 3, 4, 5 & 9)
5	64035	RING, RETAINING
6	64232	SHOE, BRAKE (2)
7	62703	``T`` BEARING, SPIN TUBE
8	3353956	CAP, BRAKE SPRING (2)
9	62647	SPRING, BRAKE
10	3355360	SLEEVE, BRAKE SPRING
11	661516	CAM, BRAKE RELEASE
12	63022	SLEEVE, CAM
13	64194	DRIVER, BRAKE CAM
14	90368	RING, RETAINING
NI	285208	LUBRICANT

MAT15MNAWW1 TRANSMISION





MAT15MNAWW1 TRANSMISION

1	W10140301	GEARCASE (COMPLETE)
2	285202	COVER, GEARCASE
3	3349985	SEAL, GEARCASE COVER
4	285195	SEALER, GASKET (.20 FL. OZ.) (6 ML)
5	3351614	SCREW, GEARCASE COVER, MOUNTING (8)
6	W10172898	SPIN PINION & GEAR SPIN KIT
7	N/P	SEAL, SPIN PINION (NOT SERVICEABLE ILLUS. NO.6)
8	90369	RING, RETAINING (2)
9	62677	RETAINER, SPRING (2)
10	62676	SPRING, AGITATE
11	W10110245	GEAR, AGITATE (INCLUDES 15 & 17)
12	62619	WASHER, AGITATE GEAR
13	62580	CAM FOLLOWER (INCLUDES 14)
14	3976349	CAM, AGITATE (INCLUDES 13)
15	389231	SHAFT, AGITATOR
16	62618	WASHER, CAM THRUST
17	388815	WASHER, INTERMEDIATE
18	389387	SHAFT, AGITATOR (COMPLETE)
19	16018	BEARING, THRUST
20	85529	BALL BEARING
21	W10111745	SEAL, THRUST PLUG
22	3362552	RING, RETAINING
23	285766	WASHER KIT, THRUST
24	388253	NEUTRAL ASSEMBLY
25	8546456	RACK, CONNECTING
26	62621	ACTUATOR, SHIFT
27	N/P	GEAR-MAIN DRIVE (NOT SERVICED SEPARATELY)
28	N/P	BOTTOM & PINION GEARCASE (NOT SERVICED)