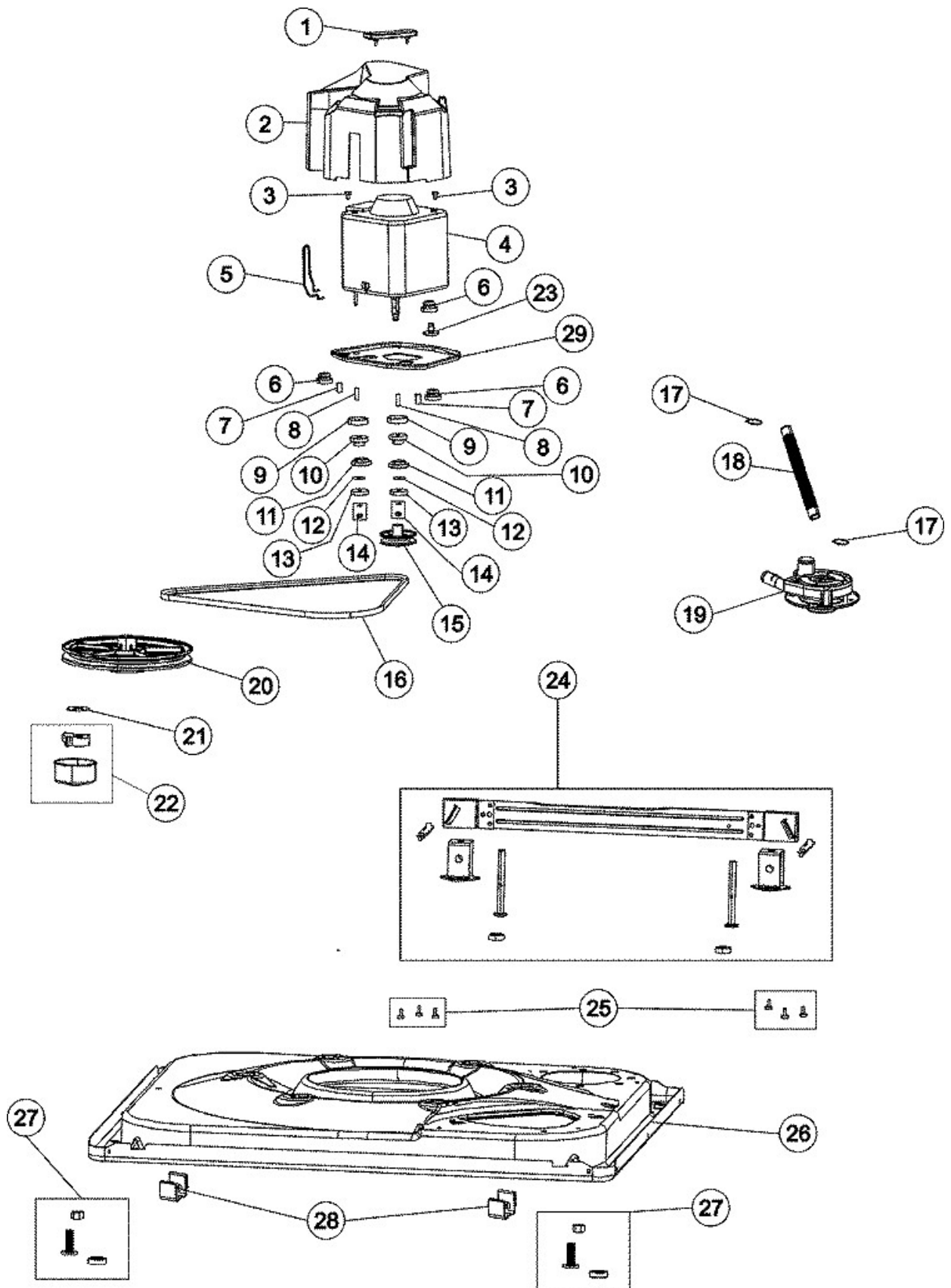




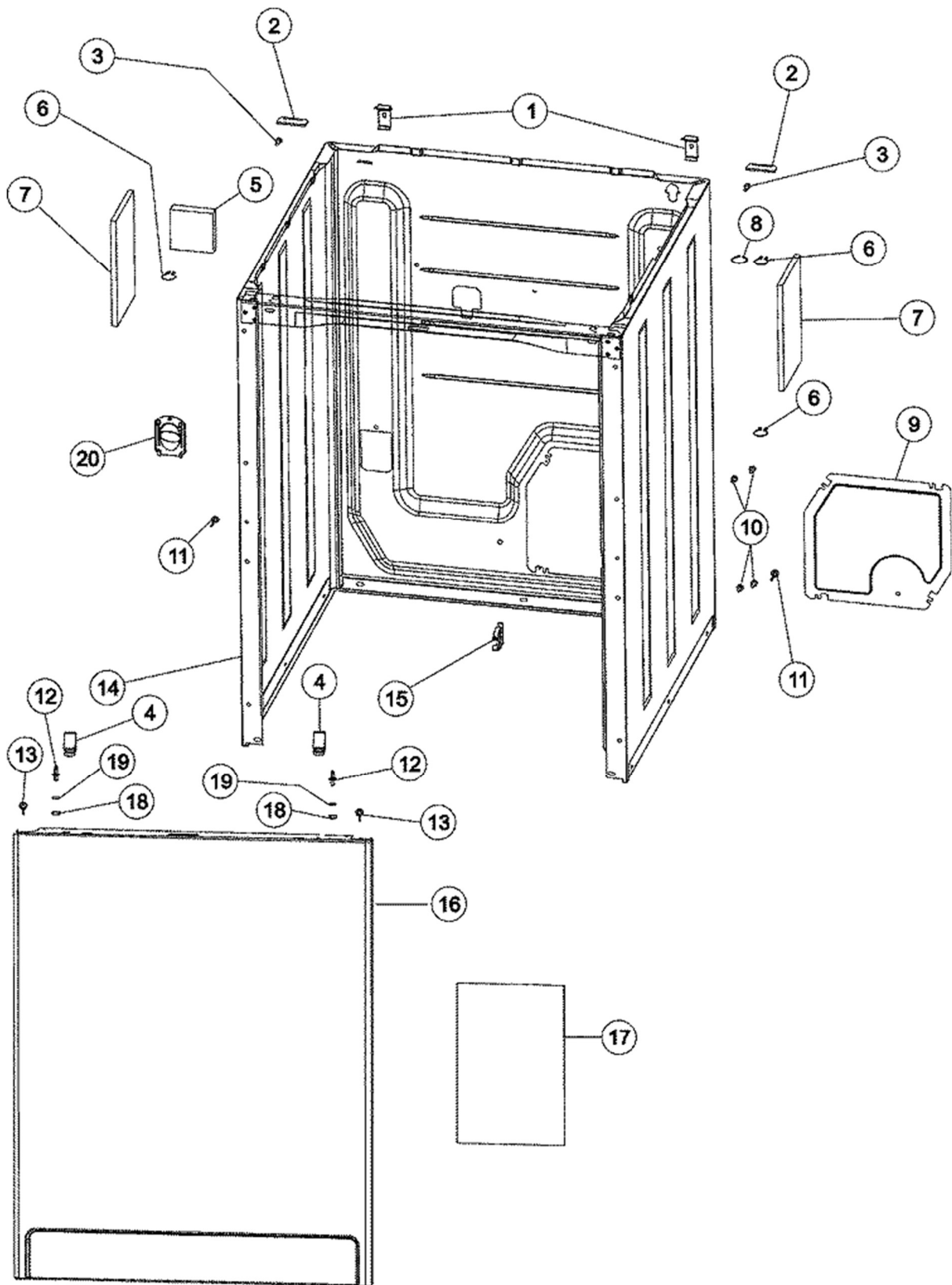
LAVADORA MAV275SAWW



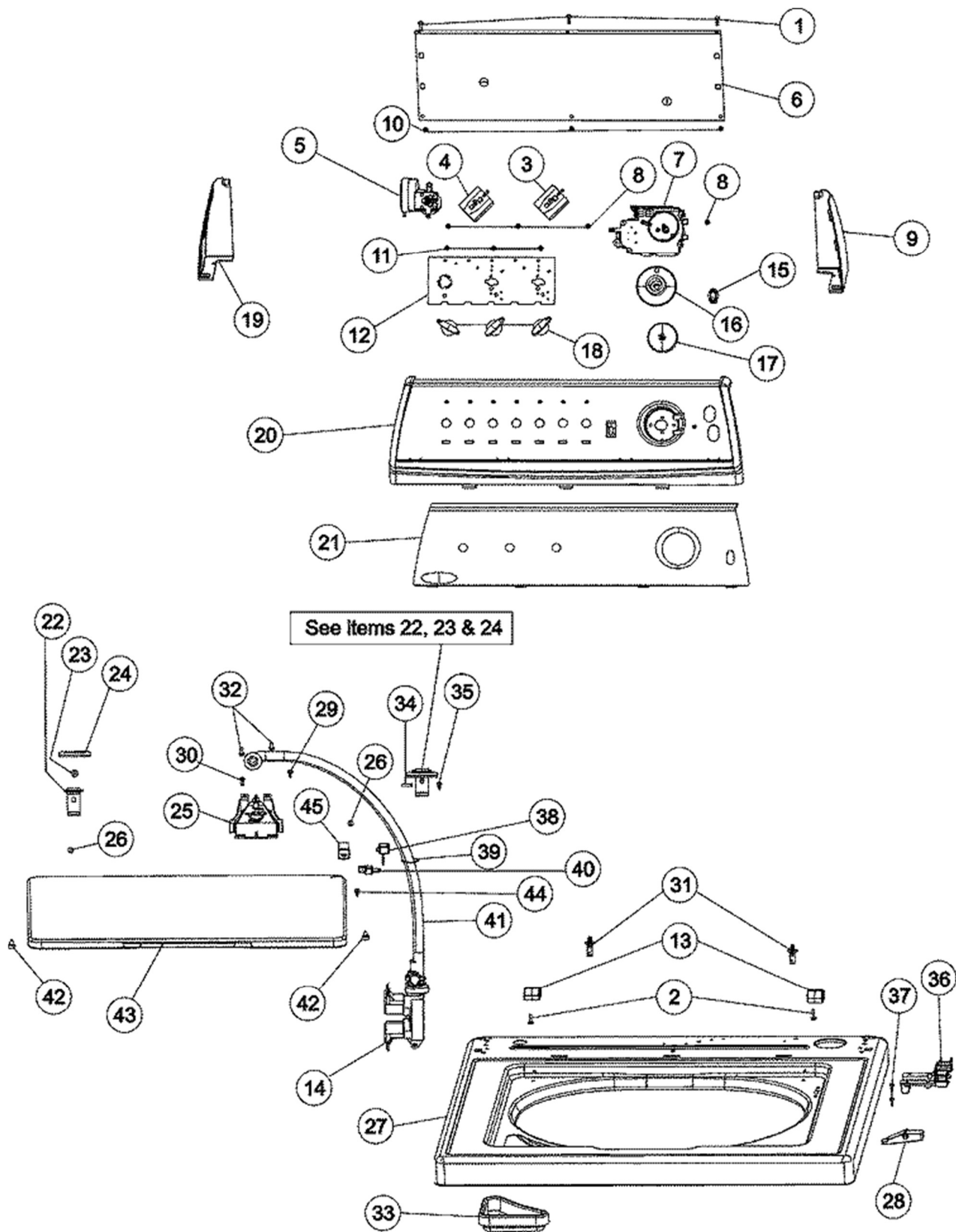


LAVADORA MAV275SAWW

Guía	Número de parte	Descripción
1	PAD- MOTOR	35-2065
2	SHIELD- MO	22002721
3	Screw	WP681414
4	Motor with Pulley	WP21001950
5	Motor Pivot Spring	WP22004376
6	Motor Plate Isolator	WP35-3646
7	SPACER	25-7831
8	Motor Mount Spacer	WP25-7830
9	Motor Pivot Washer	35-3570
10	Motor Insulator Pad	WP33-9946
11	Motor Pivot Slide	35-3571
12	WASHER	25-7047
13	Motor Insulator Pad	WP33-9967
14	Locknut	WPY707702
15	Motor with Pulley	WP21001950
16	Drive Belt - 51 inches long	WP21352320
17	Hose Clamp	WP285655
18	Tub to Pump Hose	WP21001915
19	Washer Drain Pump	WP35-6780
20	Transmission Pulley and Bearing Kit	12002213
21	Washer	WP35-2132
22	Transmission Pulley and Bearing Kit	12002213
23	SLIDE	21001486
24	STABILIZER	21002221
25	Screw	WP489483
26	BASE KIT	12002701
27	Leveling Leg and Pad	25001119
28	Single Front Panel Clip	WP53-0120
29	PLATE SC	21001783



Guía	Número de parte	Descripción
1	Cabinet Top Hinge	35-2846
2	PAD- HINGE	35-4128
3	Screw	WP681414
4	Cabinet Top Clip	WP25-7220
5	PAD, FOAM	35-0706
6	CLIP	16515
7	PAD- CABIN	21002011
8	CLIP, WIRING HARNESS	21001527
9	SHIELD- RE	21001527
10	Screw	WP681414
11	POST- LOCA	21001829
12	OUTLET- Door	21001874
12	PIN- LOCAT	53-0643
13	Screw	WP681414
14	CABINET W	21001871
15	CLIP- HOSE	WP22002765
16	PANEL- FRO	35-2084
17	DAMPER- SO	21001281
18	Plate Nut	WP3400029
19	BUMPER- CA	35-4129
20	OUTLET- Door	21001874





LAVADORA MAV275SAWW

Guía	Número de parte	Descripción
1	Screw, 8-18 x 1/2	WP3400888
2	Screw	WP25-7893
3	SWITCH-CYC	21001960
4	SWTCH-TEMP	21001139
5	Water Level Pressure Switch	Y2201474
6	USE WPL 21001527	21002223
7	Timer	WP21001959
8	Screw, 8/18 x 3/8	WP90767
9	ENDCAP White	21001523
10	Screw, 8/18 x 3/8	WP90767
11	Screw, 8/18 x 3/8	WP90767
12	SHIELD- CO	WP90767
13	Lid Hinge	WP35-2044
14	Water Valve - 60/40	WP21001932
15	SWITCH- RO	21002080
16	Timer Knob Skirt	21001984
17	Timer Knob	WP21001985
18	Selector Knob	WP21002070
19	ENDCAP White	21001519
20	FRAME- CON	21001965
21	FACIA	21002134
22	Cabinet Top Hinge	35-2846
23	Screw	WP681414
24	PAD- HINGE	35-4128
25	FLUME Assembly	21002032
26	Screw	WP25-7893
27	Cabinet Top Panel - White	21001602
28	LEVER- LID	21001134
29	Screw, 8/18 x 3/8	WP90767
30	WASHER- RO	31001560
31	CLIP- PLAS	21001857
32	Screw, 8/18 x 3/8	WP90767
33	DISPENSER-	21001597
34	SCREW	25-7438
35	Screw, 8/18 x 3/8	WP90767
36	Lid Switch Housing	WP21001135
37	Screw	WP3400872

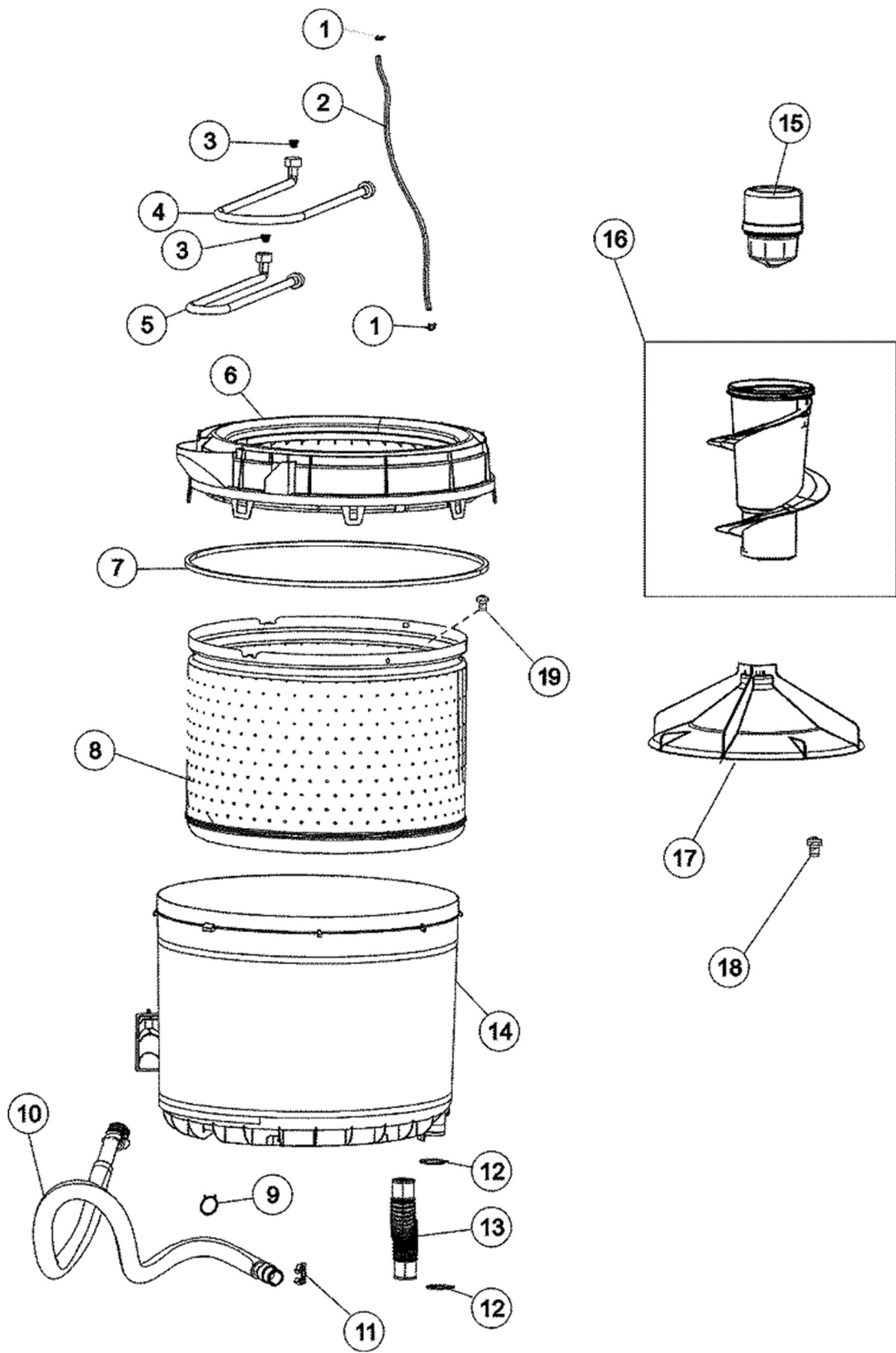


LAVADORA MAV275SAWW

Guía	Número de parte	Descripción
38	Lid Switch Actuator - Black	WP43-0057
39	CLIP, WIRING HARNESS	25-7430
40	Lid Hinge Pin	WP35-2045
41	Flume Hose Kit	12002749
42	Door Bumper	35-0581
43	Top-Load Lid - White	35-2026
44	Screw, 8/18 x 3/8	WP90767
45	Lid Switch Kit	12001187



LAVADORA MAV275SAWW



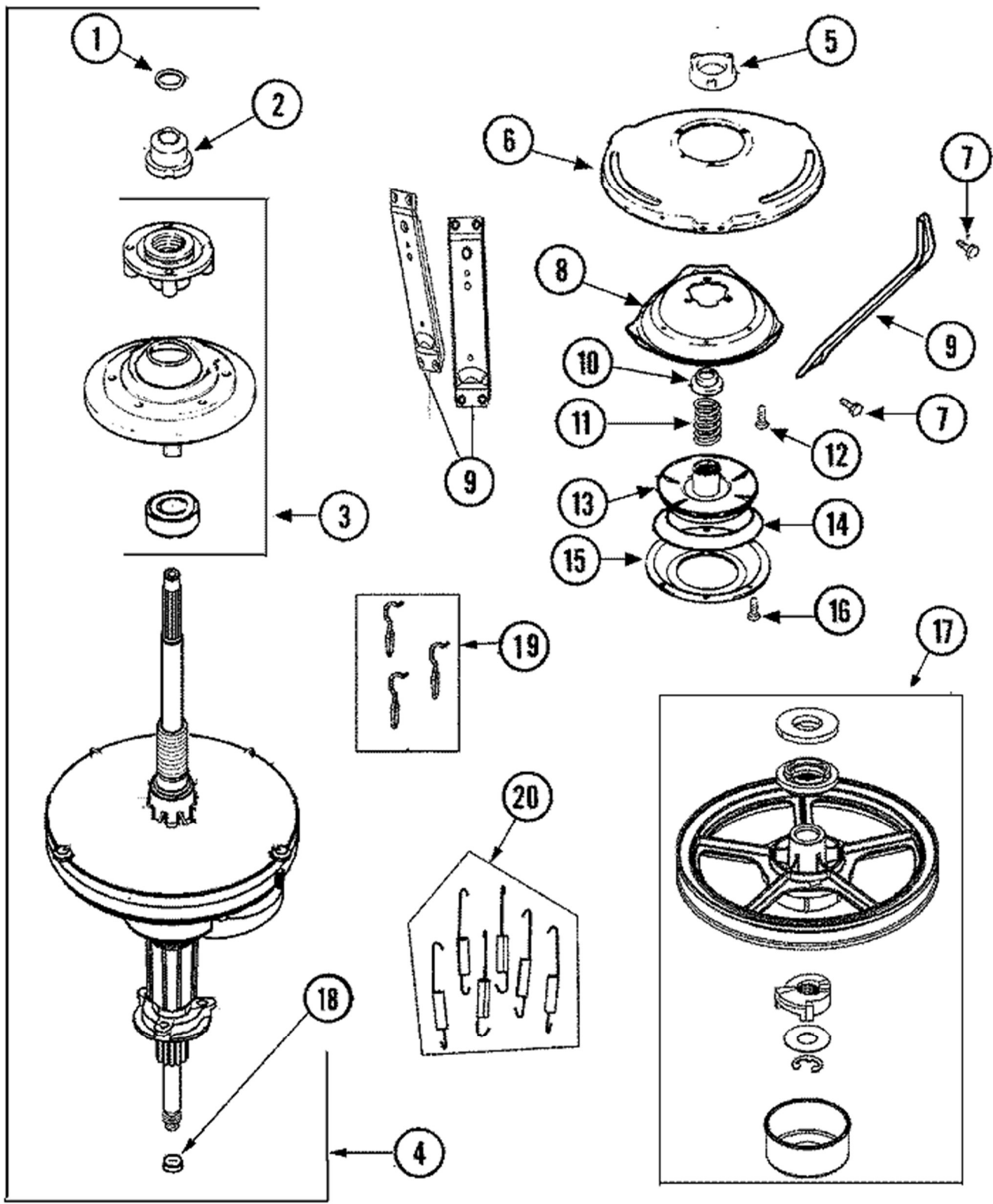


LAVADORA MAV275SAWW

Guía	Número de parte	Descripción
1	Hose Clamp	WP596669
2	Pressure Switch Hose	WP21001748
3	Single Washer Inlet Strainer	WP22002960
4	SUB 33-7046	35-0874
5	Inlet Hose - 5 FT	WP89503
6	TOP- TUB	21001531
7	Top Tub Seal	WP35-2328
8	BASKET ASY	21001529
9	Hose Clamp	WP285655
10	Drain Hose with Bend and Stay	WP21001872
11	CLIP- HOSE	WP22002765
12	Hose Clamp	WP285655
13	Tub to Pump Hose	WP21001915
14	Screw	WP22002933
15	FABRIC DIS	21002006
16	Agitator Auger and Post Assembly	21001878
17	Agitator Base	21001530
18	Screw with Washer	WPW10309247
19	Screw	WP3400504



LAVADORA MAV275SAWW





LAVADORA MAV275SAWW

Guía	Número de parte	Descripción
1	O-Ring	25-7941
3	Tub Seal and Bearing Kit	21002237
4	Transmission and Seal Kit	35-6615
5	Lower Bearing Assembly	12001562
6	SUPPORT- T	21001518
7	Screw - 5/16-18 x 1/2 inch	21001858
8	HOUSING- S	21001163
9	BRACE- TUB	21001532
10	Brake Spring Retainer	WP35-2017
11	Brake Spring	WP21001910
12	Screw	WP21001509
13	Washer Brake Rotor	35-6714
14	Snubber Ring	WP21002026
15	Brake Stator	35-6918
16	Screw	WP21001065
17	Transmission Pulley and Bearing Kit	12002213
18	Transmission Lower Lip Seal Repair Kit	207843
19	Suspension Spring Hook	WP21001166
20	Suspension Springs - Kit of 6	12002773



LAVADORA MAV275SAWW

