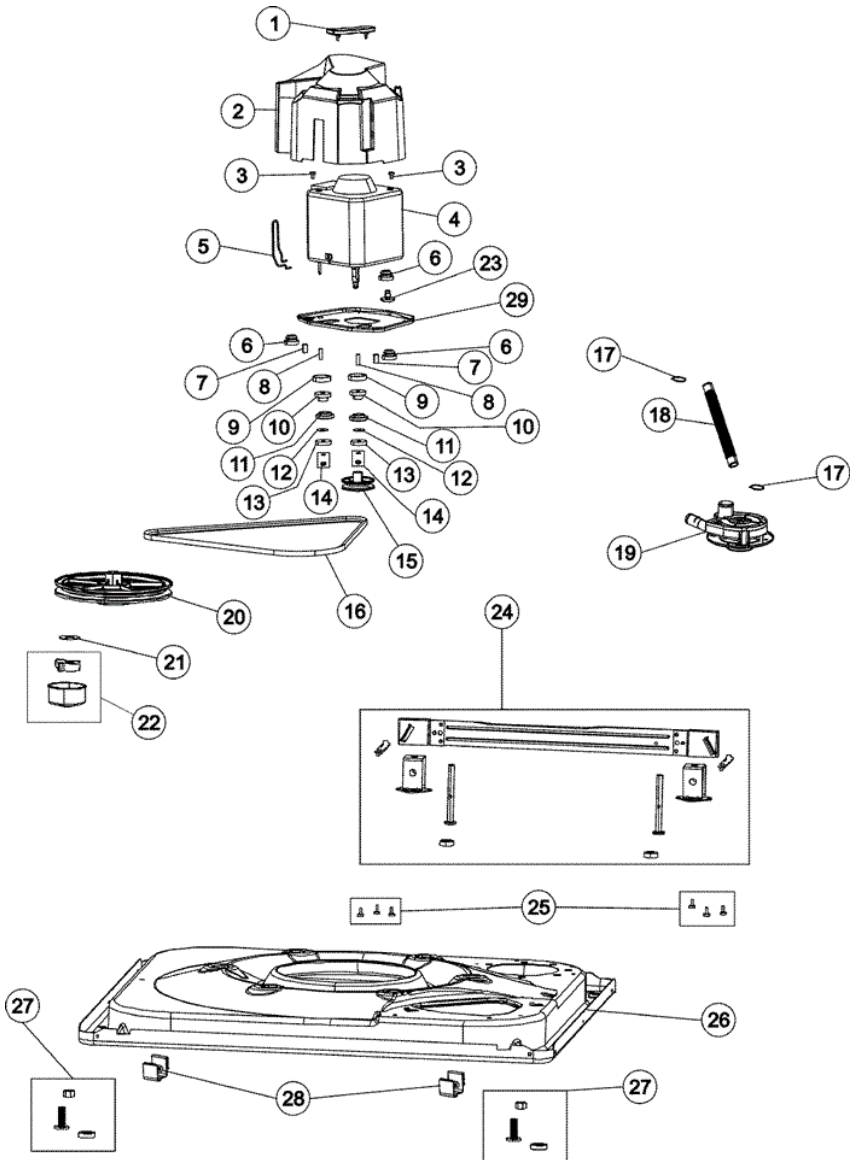


MAV385SAWW MOTOR

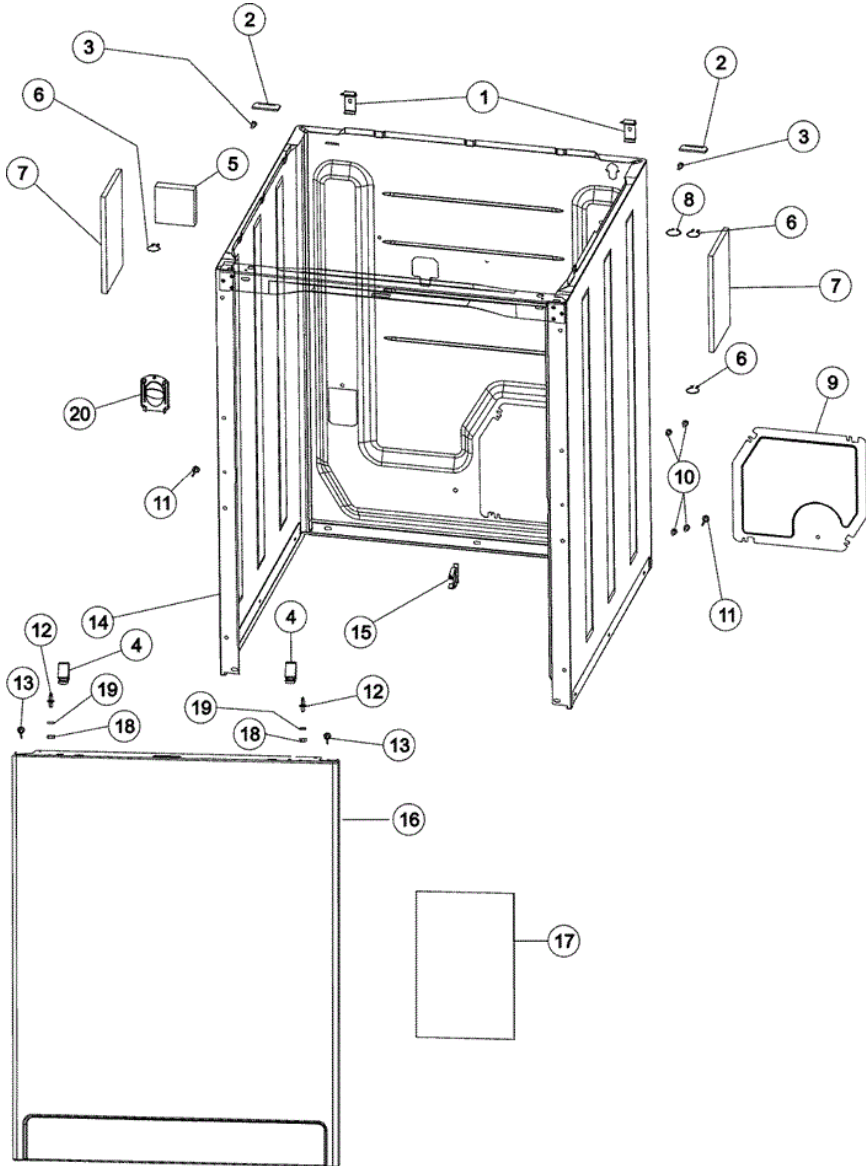




MAV385SAWW MOTOR

1	35-2065	10	PAD, MOTOR PLATE
2	22002721	10	SHIELD, MOTOR
3	25-7733	10	SCREW
4	21001950	10	MOTOR, 2SP 1/2HP 120/60 HI-TOR
5	21001110	10	SPRING, MOTOR PIVOT
6	35-3646	10	ISOLATOR, MOTOR PLATE
7	25-7831	10	SPACER
8	25-7830	10	SPACER
9	35-3570	10	WASHER, MOTOR PIVOT
10	33-9946	10	ISOLATOR, MOTOR
11	35-3571	10	SLIDE, MOTOR PIVOT
12	25-7047	10	WASHER, FLAT
13	33-9967	10	WASHER, MOTOR ISOLATOR
14	21002009	10	NUT, NYLON INSERT LOCK
15	22004297	10	PULLEY
16	21352320	10	BELT, DRIVE
17	21002254		CLAMP, SINGLE WIRE
17	25-6068	10	CLAMP, HOSE
18	21001915	10	HOSE, TUB TO PUMP
19	21001873	10	PUMP
20	21001733	10	PULLEY, DRIVE
21	35-2132	10	WASHER, 1.25ODX.530IDX.032
22	12002213	10	THRUST BEARING KIT
23	21001486	10	SLIDE, FOOT
24	21002221	10	STABILIZER BAR KIT
25	25-7828	10	SCREW, NO.10 TORQ LIMITING
26	21001893	10	BASE, WASHER
27	25001119	10	FOOT & PAD ASSEMBLY
28	53-0120	10	CLIP, FRONT PANEL
29	21001366	10	PLATE, MOTOR

MAV385SAWW GABINETE





MAV385SAWW GABINETE

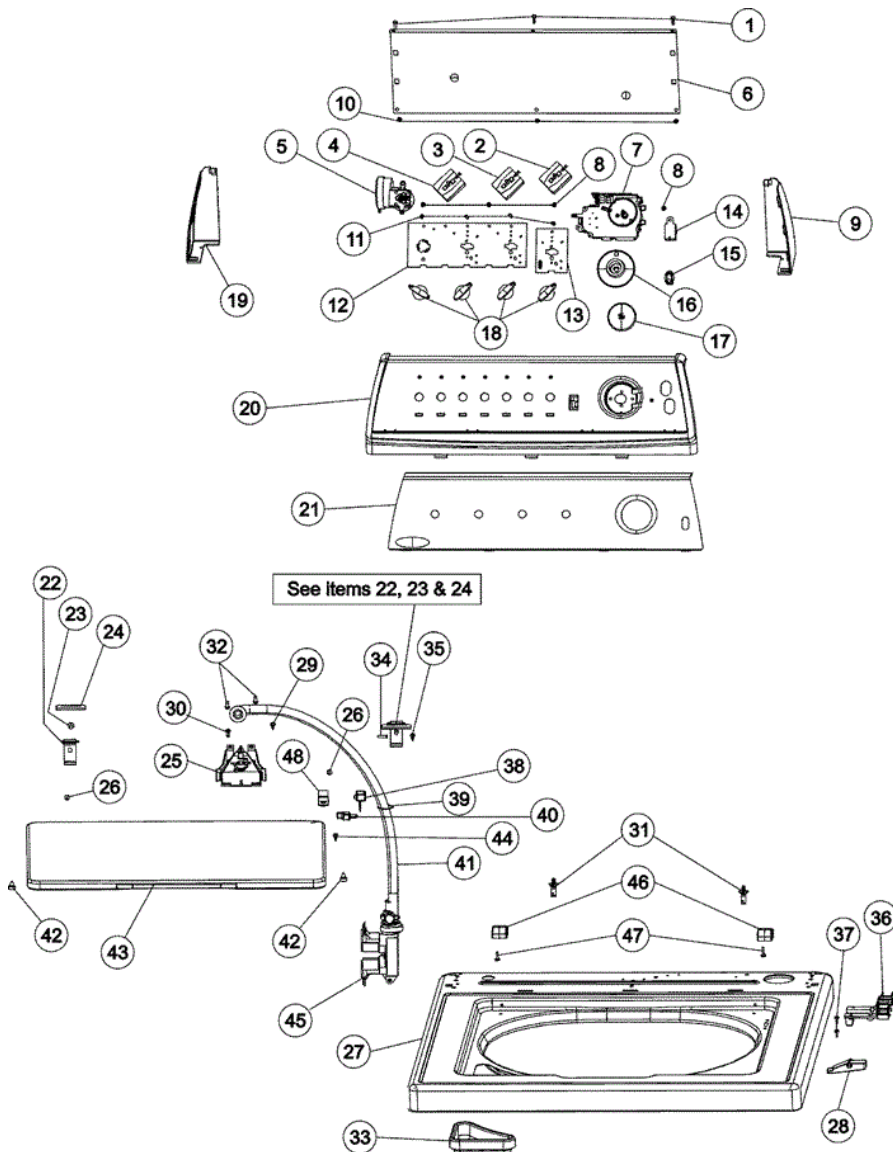
1	35-2846	10	HINGE, CABINET TOP
2	35-4128	10	PAD, HINGE
3	25-7732	10	SCREW
4	25-7220	10	CLIP, CABINET TOP
5	35-0706	10	PAD, FOAM
6	31001320	10	CLIP, WIRING HARNESS
7	21002011	10	PAD, CABINET
8	25-7430	10	CLIP, WIRING HARNESS
9	21001876	10	SHIELD, REAR
10	25-7733	10	SCREW
11	21001829	10	POST, LOCATING
12	21001874	10	OUTLET, DRAIN HOSE
12	53-0643	10	PIN, LOCATOR
13	25-7732	10	SCREW
14	21001871	10	CABINET (WHT)
15	22002765	10	CLIP, HOSE
16	35-2084	10	PANEL, FRONT (WHT)
17	21001281	10	DAMPER, SOUND PAD
18	25-0224	10	NUT, LOCATOR PIN
19	35-4129	10	BUMPER, CABINET
20	21001874	10	OUTLET, DRAIN HOSE

Distribuidor Autorizado

SurteRápido.com

Venta de Refacciones
Electrodomesticas

MAV385SAWW TABLERO



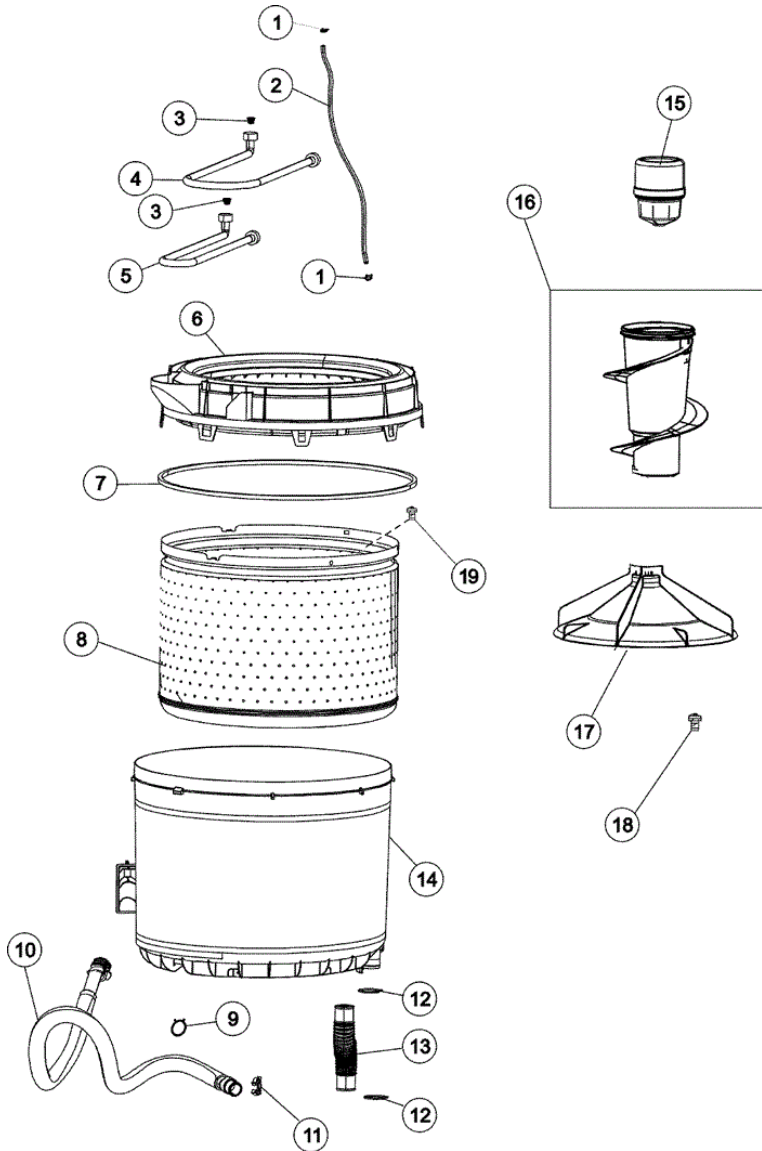


MAV385SAWW TABLERO

1	21002224	10	SCREW
2	21001960	10	SWITCH, SPEED (4 POS)
3	31001443	10	SWITCH, TWO POS (ON/OFF)ROTARY
4	21001226	10	SWITCH, WATER TEMP. 4 POSITION
5	Y2201474	10	SWITCH, PRESSURE
6	21002223	10	SHIELD, BACK GUARD, CONSOLE
7	21001959	10	TIMER
8	25-3092	10	SCREW
9	21001523	10	ENDCAP (WHT-RT)
10	31001721	10	SCREW, ABNO.8-18X3/8 HXWS
11	25-3092	10	SCREW
12	21002067	10	SHIELD, CONTROL (3 HOLE)
13	21001517	10	SHIELD, CONTROL (1 POS.)
14	53-1639	10	BUZZER ASSY.
15	21002080	10	SWITCH, ROCKER
16	21001984	10	SKIRT, TIMER KNOB
17	21001985	10	KNOB, TIMER (GRAY)
18	21002070	10	KNOB, SELECTOR
19	21001519	10	ENDCAP (WHT-LT)
20	21001965	10	FRAME, CONTROL PANEL, SUPPORT
21	21002136	10	FACIA
22	35-2846	10	HINGE, CABINET TOP
23	25-7732	10	SCREW
24	35-4128	10	PAD, HINGE
25	21001760	10	FLUME ASSEMBLY /WATER DIVERTER
26	25-7893	10	SCREW
27	21001602	10	TOP, CABINET (WHT)
28	21001134	10	LEVER, LID SWITCH
29	25-3092	10	SCREW
30	31001560	10	WASHER, ROLLER
31	21001857	10	CLIP, PLASTIC SNAP-IN
32	31001721	10	SCREW, ABNO.8-18X3/8 HXWS
33	21001597	10	DISPENSER, BLEACH

34	25-7438	10	SCREW
35	31001721	10	SCREW, ABNO.8-18X3/8 HXWS
36	21001135	10	HOUSING, LID SWITCH
37	21001136	10	SCREW, SWITCH/HOUSING
38	43-0057	10	ACTUATOR, DOOR SWITCH
39	25-7430	10	CLIP, WIRING HARNESS
40	35-2045	10	PIN, HINGE
41	35-2378	10	HOSE, FLUME/DIVERTER (RUBBER)
41	12002749	27	HOSE, FLUME KIT
42	35-0581	10	BUMPER, DOOR (LID)
43	35-2026	10	LID (WHT) (DOOR)
44	31001721	10	SCREW, ABNO.8-18X3/8 HXWS
45	21001932	10	VALVE, WATER (60/40) INLET
46	35-2044	10	HINGE, LID
47	25-7893	10	SCREW
48	21001148	10	SWITCH, LID/DOOR SAFETY SPIN

MAV385SAWW TINAS

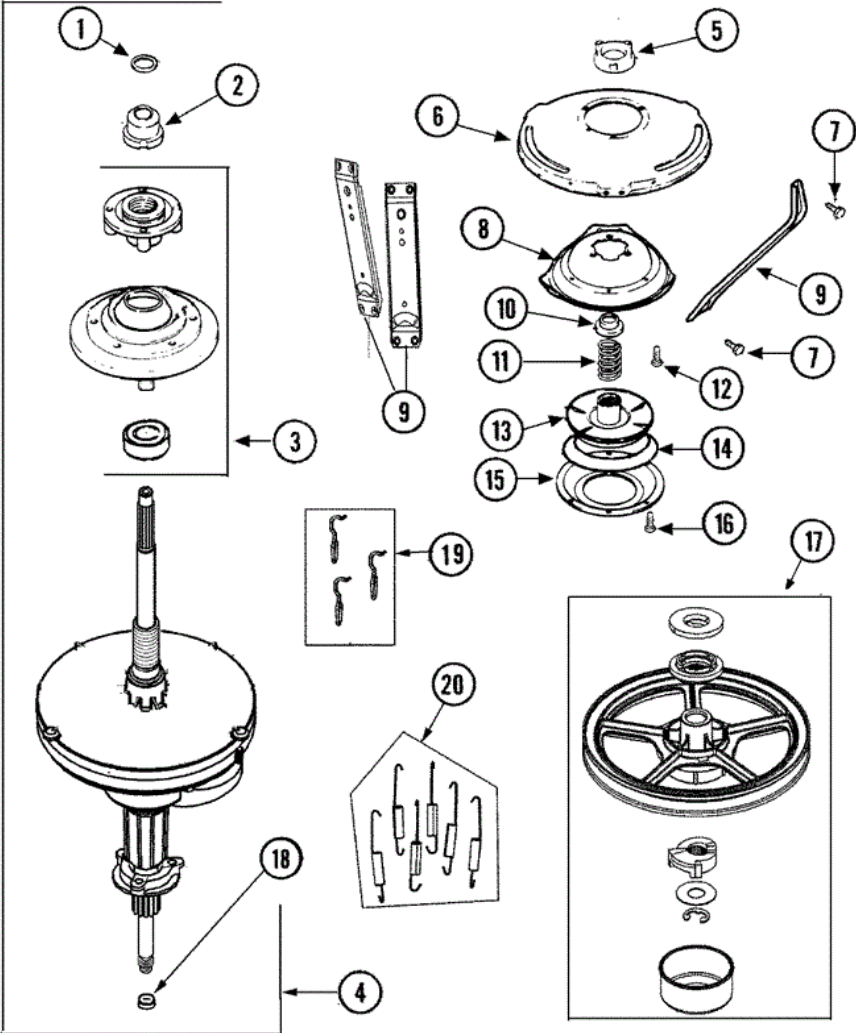




MAV385SAWW TINAS

1	25-7796	10	CLAMP, PRESSURE SWITCH HOSE
2	21001749	10	HOSE, PRESSURE SWITCH
3	22002960	10	STRAINER, WASHER INLET
4	35-0874	10	HOSE, INLET
5	33-7891	10	HOSE, 4' INLET
6	21001531	10	TOP, TUB (PLASTIC)
7	35-2328	10	SEAL, TUB TOP
8	21001529	10	BASKET ASSEMBLY (PLASTIC)
9	21001875	10	CLAMP, HOSE
10	21001872	10	HOSE, DRAIN (W/BEND&STAY)
11	22002765	10	CLIP, HOSE
12	25-6068	10	CLAMP, HOSE
13	21001915	10	HOSE, TUB TO PUMP
14	22002933	10	SCREW
14	35-3700	10	TUB ASSEMBLY (PLASTIC)
15	21002006	10	FABRIC DISP ASSEMBLY (WHT)
16	22003437	10	ASSY, AUGER & POST(ASPK-PRFP)
17	21001530	10	BASE, AGITATOR
18	25-8004	10	SCREW, AGITATOR RETENTION
19	25-7967	10	SCREW, SHOULDER

MAV385SAWW TRANSMISION





MAV385SAWW TRANSMISION

1	25-7941	10	``O`` RING
2	21001533	10	SEAL NUT ASSEMBLY
3	21001868	10	SEAL HUB ASSEMBLY (HT TRAN)
4	21001867	10	HT TRANS/SEAL HUB ASSEMBLY
5	21001511	10	HOUSING/LWR.BEARING ASSY.
6	21001518	10	SUPPORT, TUB
7	21001858	10	SCREW 5/16-18X1/2
8	21001163	10	HOUSING, SUSPENSION
9	21001532	10	BRACE, TUB
10	35-2017	10	RETAINER, BRAKE SPRING
11	21001910	10	SPRING, BRAKE
12	21001509	10	SCREW,HIGH PERFORMANCE PLASTIC
13	21002010	10	BRAKE ROTOR & LINING ASM
14	21002026	10	SNUBBER
15	35-6918	10	STATOR, BRAKE
16	21001065	10	SCREW,NO.10-24X.50 HXNIBHD
17	12002213	10	THRUST BEARING KIT
18	35-2010	10	SEAL,TRANSMISSION HOUSING(LIP)
19	21001166	10	HOOK, SUSPENSION SPRING
20	21002065	10	SPRING KIT (6 OF 35-5656)