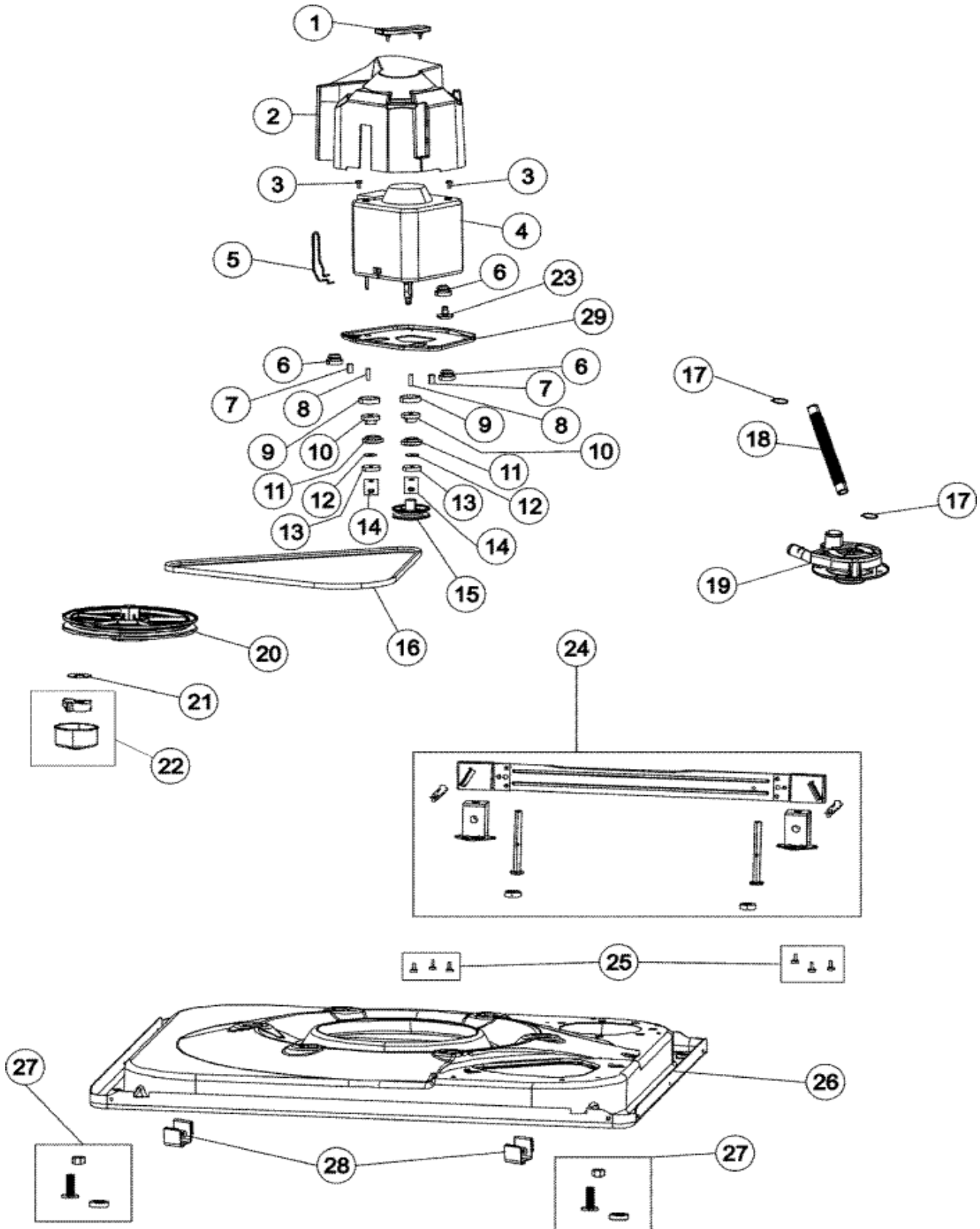


Distribuidor Autorizado

SurteRápido.com

Venta de Refacciones
Electrodomesticas

MAV5920EWW BASE





MAV5920EWW BASE

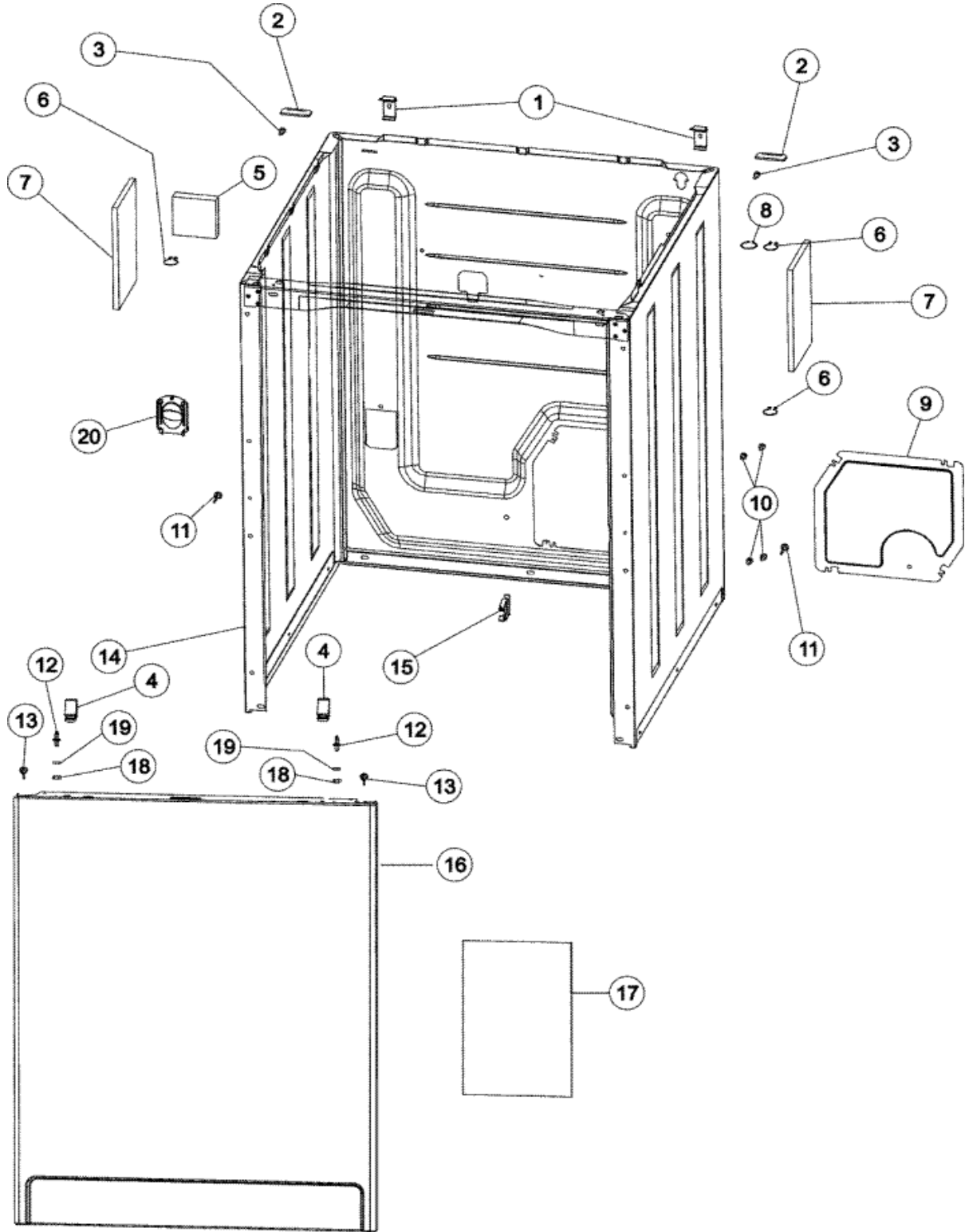
1	35-2065	PAD, MOTOR PLATE (S/P)
2	22002721	SHIELD, MOTOR (S/P)
3	25-7733	SCREW (S/P)
4	21001950	MOTOR, 2SP 1/2HP 120/60 HI-TOR
5	22004376	SPRING, MOTOR PIVOT
6	35-3646	ISOLATOR, MOTOR PLATE (S/P)
7	25-7831	SPACER (S/P)
8	25-7830	SPACER
9	35-3570	WASHER, MOTOR PIVOT (S/P)
10	33-9946	ISOLATOR, MOTOR
11	35-3571	SLIDE, MOTOR PIVOT (S/P)
12	25-7047	WASHER, FLAT (S/P)
13	33-9967	WASHER, MOTOR ISOLATOR (S/P)
14	21002009	NUT, NYLON INSERT LOCK (S/P)
15	3988894	PULLEY
16	21352320	BELT, DRIVE
17	21002254	CLAMP, SINGLE WIRE (S/P)
18	21001915	HOSE, TUB TO PUMP
19	21002240	PUMP
20	1200213	PULLEY, DRIVE
21	35-2132	WASHER, 1.25ODX.530IDX.032
22	12002213	THRUST BEARING KIT
23	21001486	SLIDE, FOOT (S/P)
24	21002221	STABILIZER BAR KIT (S/P)
25	25-7828	SCREW, No.10 TORQ LIMITING (S/P)
26	21001893	BASE, WASHER
27	25001119	FOOT & PAD ASSEMBLY (S/P)
28	53-0120	CLIP, FRONT PANEL
29	21001783	PLATE, MOTOR

Distribuidor Autorizado

SurteRápido.com

Venta de Refacciones
Electrodomesticas

MAV5920EWW GABINETE





MAV5920EWW GABINETE

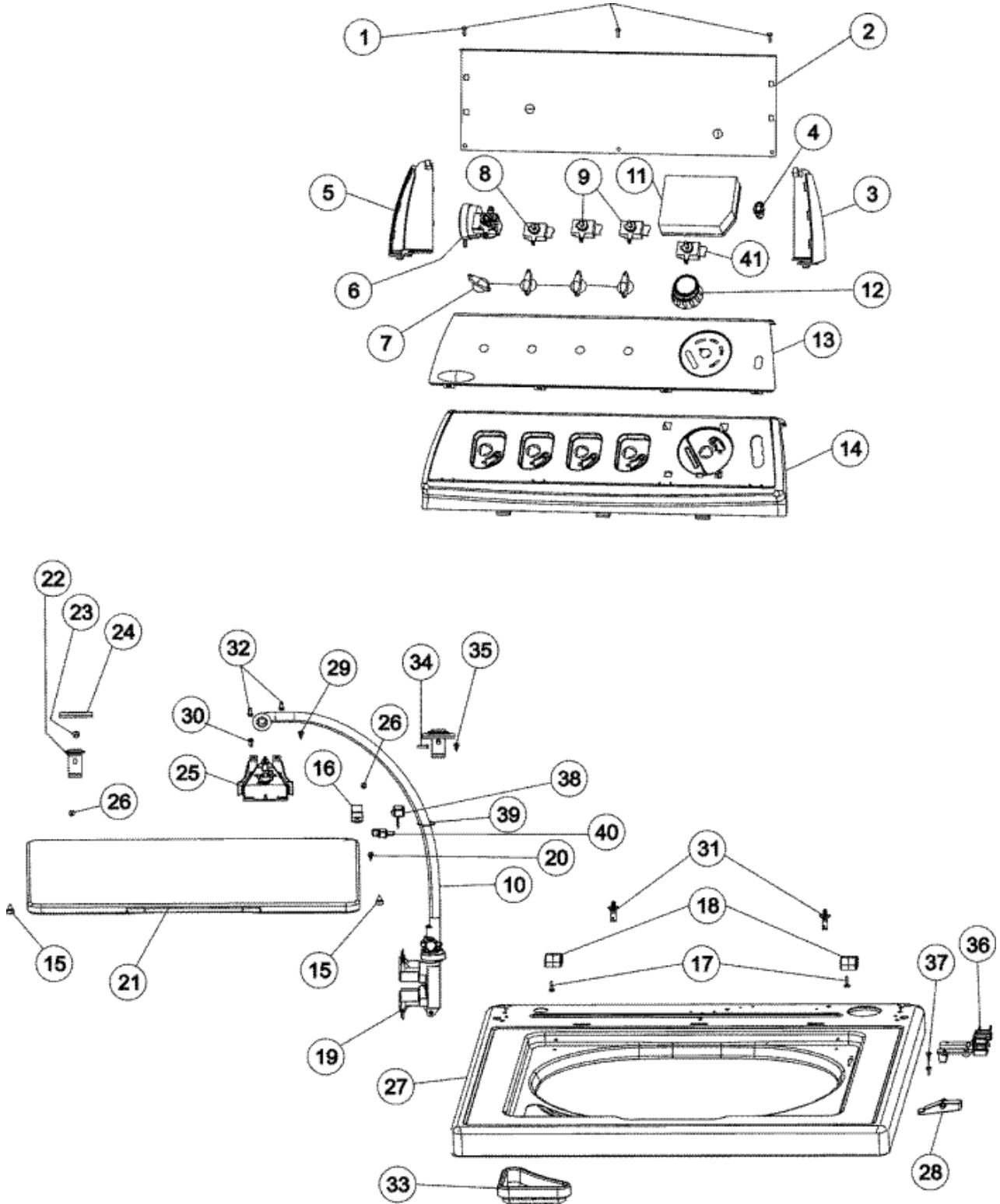
1	35-2846	HINGE, CABINET TOP
2	35-4128	PAD, HINGE
3	25-7732	SCREW (S/P)
4	25-7220	CLIP, CABINET TOP (S/P)
5	35-0706	DESCONTINUADO
6	31001320	CLIP, WIRING HARNESS (S/P)
7	21002011	PAD, CABINET (S/P)
8	25-7430	DESCONTINUADO
9	21001876	SHIELD, REAR (S/P)
10	25-7733	SCREW (S/P)
11	21001829	POST, LOCATING (S/P)
12	21001874	OUTLET, DRAIN HOSE (S/P)
12	53-0643	PIN, LOCATOR (S/P)
13	25-7732	SCREW (S/P)
14	21001871	CABINET (WHT) (S/P)
15	22002765	CLIP, HOSE (S/P)
16	35-2084	PANEL, FRONT (WHT)
17	21001281	DAMPER, SOUND PAD (S/P)
18	25-0224	NUT, LOCATOR PIN (S/P)
19	35-4129	BUMPER, CABINET (S/P)
20	21001874	OUTLET, DRAIN HOSE (S/P)

Distribuidor Autorizado

SurteRápido.com

Venta de Refacciones
Electrodomesticas

MAV5920EWW TABLERO





MAV5920EWW TABLERO

1	21002224	SCREW (S/P)
2	21001527	SHIELD, BACK GUARD, CONSOLE (S/P)
3	21001523	ENDCAP (WHT-RT)
4	22003977	SWITCH, ROCKER (WHT)
5	21001519	ENDCAP (WHT-LT) (S/P)
6	Y2201474	SWITCH, PRESSURE (S/P)
7	21002070	KNOB, SELECTOR (S/P)
8	37001265	ENCODER, ROTARY 2 POSITION (S/P)
9	37001263	ENCODER, ROTARY 4 POSITION (S/P)
10	12002749	HOSE, FLUME KIT (S/P)
11	21002238	WASHER CONTROL BOARD
12	37001185	KNOB ASSEMBLY - ROTARY ENCODER (S/P)
13	Y12002668	FACIA AS PACK (S/P)
14	37001166	SUPPORT, SWITCH -WHT (CONSOLE) (S/P)
15	35-0581	BUMPER, DOOR (LID) (S/P)
16	12001187	SWITCH, LID/DOOR SAFETY SPIN
17	25-7893	SCREW (S/P)
18	35-2044	HINGE, LID
19	21001827	VALUE, WATER (2T ATC) (S/P)
20	31001721	SCREW, ABNo.8-18X3/8 HXWS (S/P)
21	35-2026	LID (WHT) (DOOR) (S/P)
22	35-2846	HINGE, CABINET TOP
23	25-7732	SCREW (S/P)
24	35-4128	PAD, HINGE
25	21001854	FLUME ASSEMBLY (ATC) (S/P)
26	25-7893	SCREW (S/P)
27	21001602	TOP, CABINET (WHT) (S/P)
28	21001134	LEVER, LID SWITCH
29	25-3092	SCREW (S/P)
30	31001560	WASHER, ROLLER (S/P)
31	21001857	CLIP, PLASTIC SNAP-IN (S/P)
32	31001721	SCREW, ABNo.8-18X3/8 HXWS (S/P)
33	21001597	DISPENSER, BLEACH (S/P)

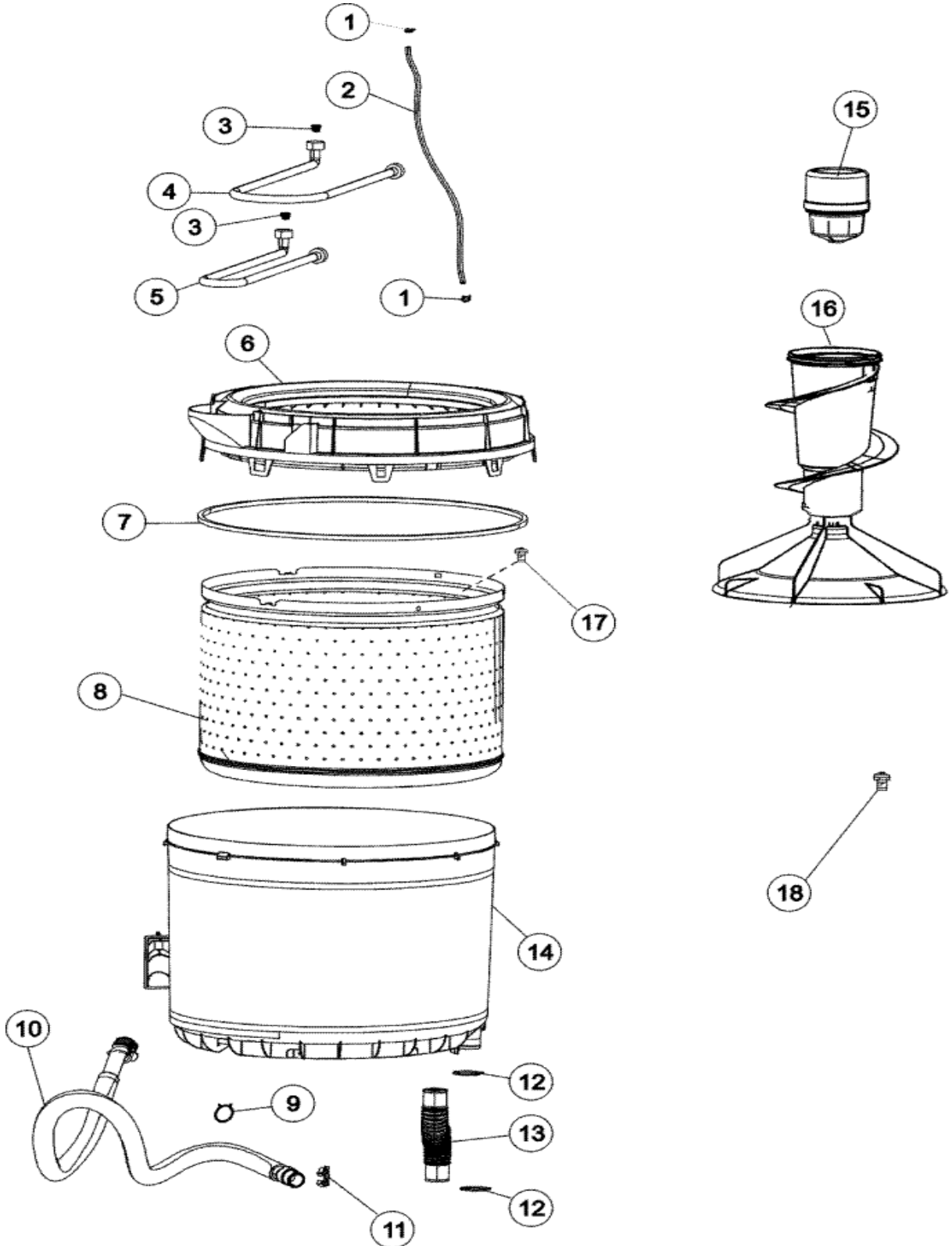
34	25-7438	SCREW (S/P)
35	31001721	SCREW, ABNo.8-18X3/8 HXWS (S/P)
36	21001135	HOUSING, LID SWITCH (S/P)
37	21001136	SCREW, SWITCH/HOUSING (S/P)
38	43-0057	ACTUATOR, DOOR SWITCH
39	25-7430	DESCONTINUADO
40	35-2045	PIN, HINGE (S/P)
41	37001266	ENCODER, ROTARY 32 POSITION

Distribuidor Autorizado

SurteRápido.com

Venta de Refacciones
Electrodomesticas

MAV5920EWW TINA





MAV5920EWW TINA

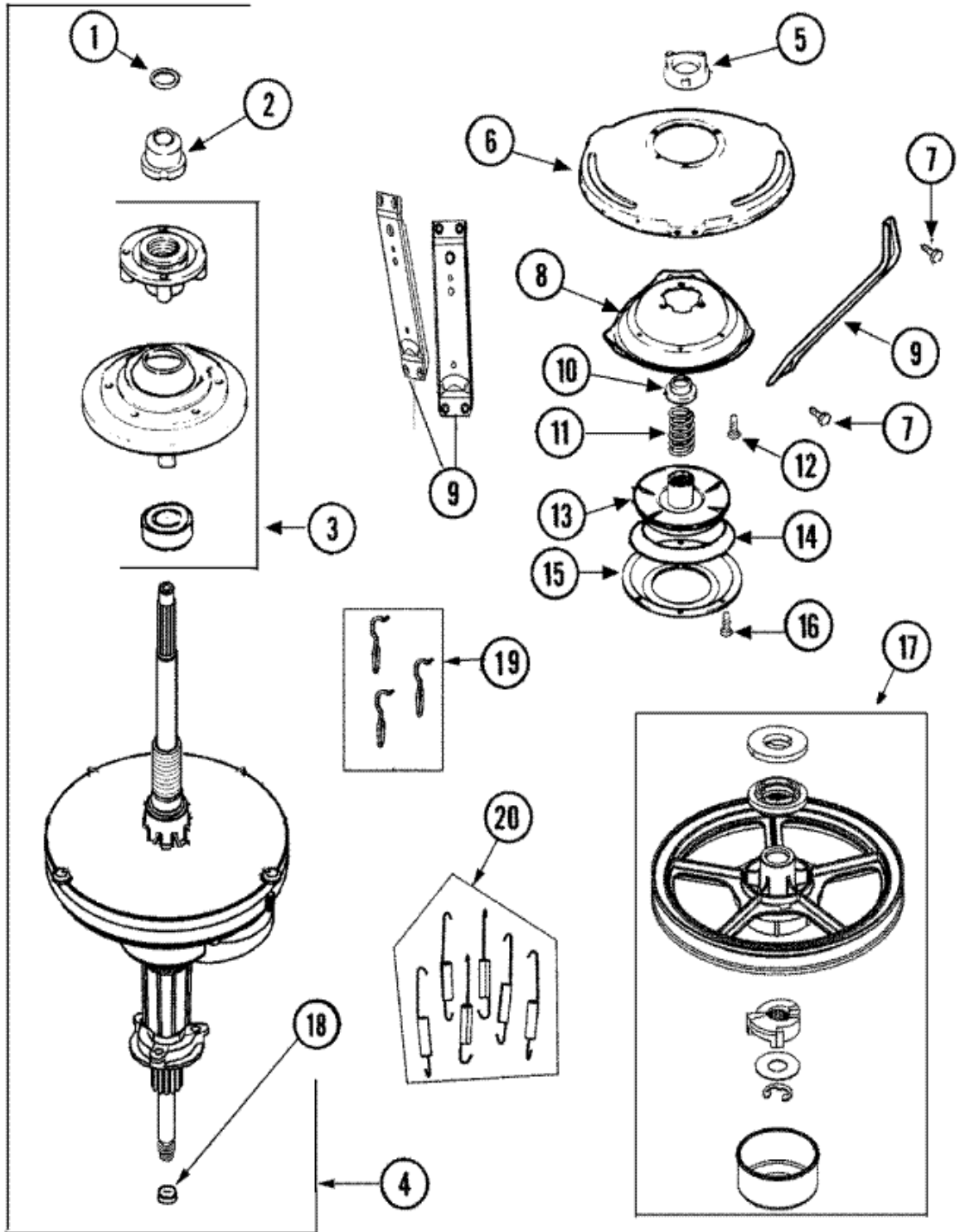
1	25-7796	CLAMP, PRESSURE SWITCH HOSE (S/P)
2	21001748	HOSE, PRESSURE SWITCH (S/P)
3	22002960	STRAINER, WASHER INLET (S/P)
4	21001466	HOSE, INLET (S/P)
5	89503	HOSE, 4` INLET
6	21001531	TOP, TUB (PLASTIC)
7	35-2328	SEAL, TUB TOP (S/P)
8	12002680	S/S SPINNER AS-PAK (S/P)
9	21001875	CLAMP, HOSE (S/P)
10	21001872	HOSE, DRAIN (W/BEND&STAY)
11	22002765	CLIP, HOSE (S/P)
12	21002254	CLAMP, HOSE (S/P)
13	21001915	HOSE, TUB TO PUMP
14	35-3700	TUB ASSEMBLY (PLASTIC) (S/P)
14	22002933	SCREW (S/P)
15	21002006	FABRIC DISP ASSEMBLY (WHT) (S/P)
16	27001230	AUGER ASSEMBLY AS PACK (S/P)
17	25-7967	SCREW, SHOULDER (S/P)
18	25-7948	SCREW, AGITATOR RETENTION (S/P)

Distribuidor Autorizado

SurteRápido.com

Venta de Refacciones
Electrodomesticas

MAV5920EWW TRANSMISION





MAV5920EWW TRANSMISION

1	25-7941	``O`` RING
2	21001533	SEAL NUT ASSEMBLY
3	21002237	SEAL HUB ASSEMBLY (HT TRAN)
4	21001867	HT TRANS/SEAL HUB ASSEMBLY
5	12001562	HOUSING/LWR.BEARING ASSY.
6	21001518	SUPPORT, TUB (S/P)
7	21001858	SCREW 5/16-18X1/2 (S/P)
8	21001163	HOUSING, SUSPENSION (S/P)
9	21001532	BRACE, TUB (S/P)
10	35-2017	RETAINER, BRAKE SPRING
11	21001910	SPRING, BRAKE
12	21001509	SCREW, HIGH PERFORMANCE PLASTIC (S/P)
13	35-2948	BRAKE ROTOR & LINING ASM
14	21002026	SNUBBER
15	35-6918	STATOR, BRAKE
16	21001065	SCREW, No.10-24X.50 HXNIBHD (S/P)
17	12002213	THRUST BEARING KIT
18	207843	SEAL, TRANSMISSION HOUSING(LIP)
19	21001166	HOOK, SUSPENSION SPRING
20	21002065	DESCONTINUADO