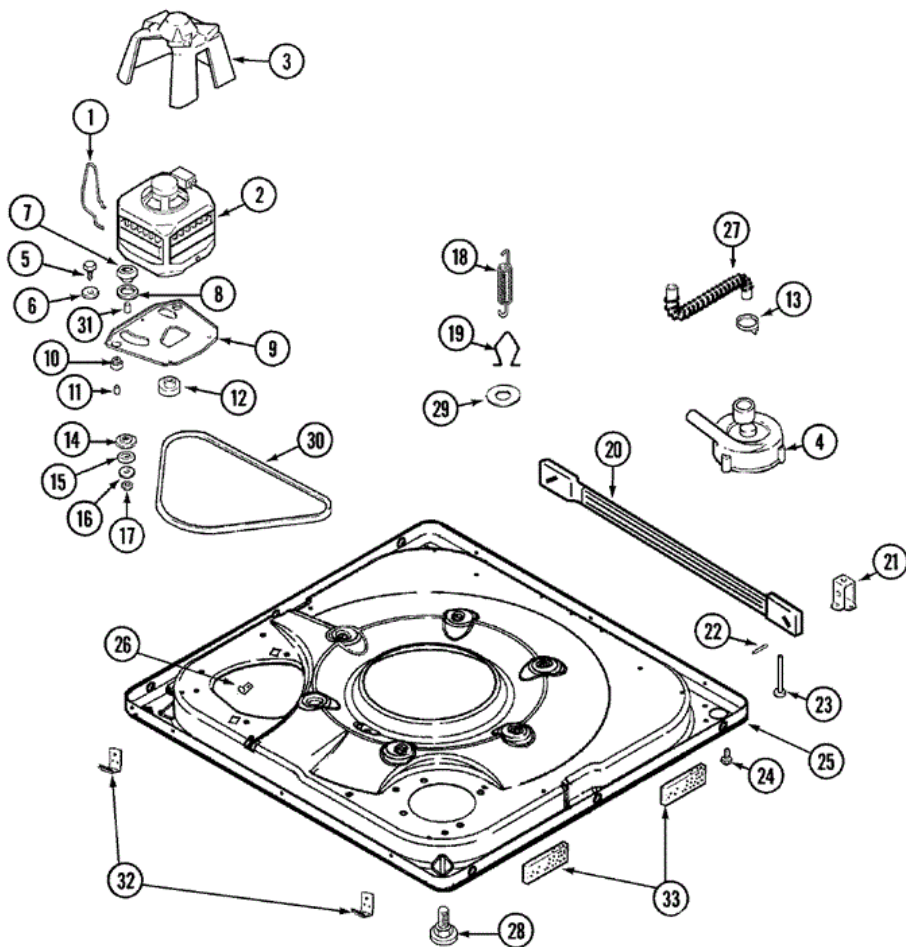


Distribuidor Autorizado

SurteRápido.com

Venta de Refacciones
Electrodomesticas

MAV6057AWW BASE





MAV6057AWW BASE

1	22004376	10	SPRING, MOTOR PIVOT
2	21001516	10	MOTOR & PULLEY ASSY.
3	22002721	10	SHIELD, MOTOR
4	21001732	10	PUMP
4	22003438	16	SLEEVE, PUMP (ATL)
5	25-7833	10	SCREW
6	25-7834	10	WASHER
7	33-9946	10	ISOLATOR, MOTOR
8	35-3570	10	WASHER, MOTOR PIVOT
9	21001366	10	PLATE, MOTOR
9	35-2065	10	PAD, MOTOR PLATE
10	22004348	10	SLIDE, MOTOR PIVOT
10	35-3646	10	ISOLATOR, MOTOR PLATE
11	25-7831	10	SPACER
12	21001506	10	PULLEY, MOTOR-60 HZ
12	22004297	21	PULLEY
13	22002853	10	CLAMP, HOSE
14	35-3571	10	SLIDE, MOTOR PIVOT
15	33-9967	10	WASHER, MOTOR ISOLATOR
16	25-7047	10	WASHER, FLAT
17	25-7325	10	NUT, MOTOR PLATE ASY TO MOTOR
18	21001598	10	SPRING, SUSPENSION
19	21001166	10	HOOK, SUSPENSION SPRING
20	35-2049	10	BAR, STABILIZER (WITH GUIDE)
21	35-2046	10	BRACKET, STABILIZER
22	35-2052	10	PIN, STABILIZER
23	35-3020	10	FOOT PAD ASSY. (REAR)
24	31001041	10	SCREW
25	22002841	10	BASE
26	25-7845	10	SPEEDNUT
27	35-3584	10	HOSE, TUB TO PUMP
27	22003285	15	HOSE, TUB TO PUMP
28	35-3507	10	FOOT & PAD ASSY

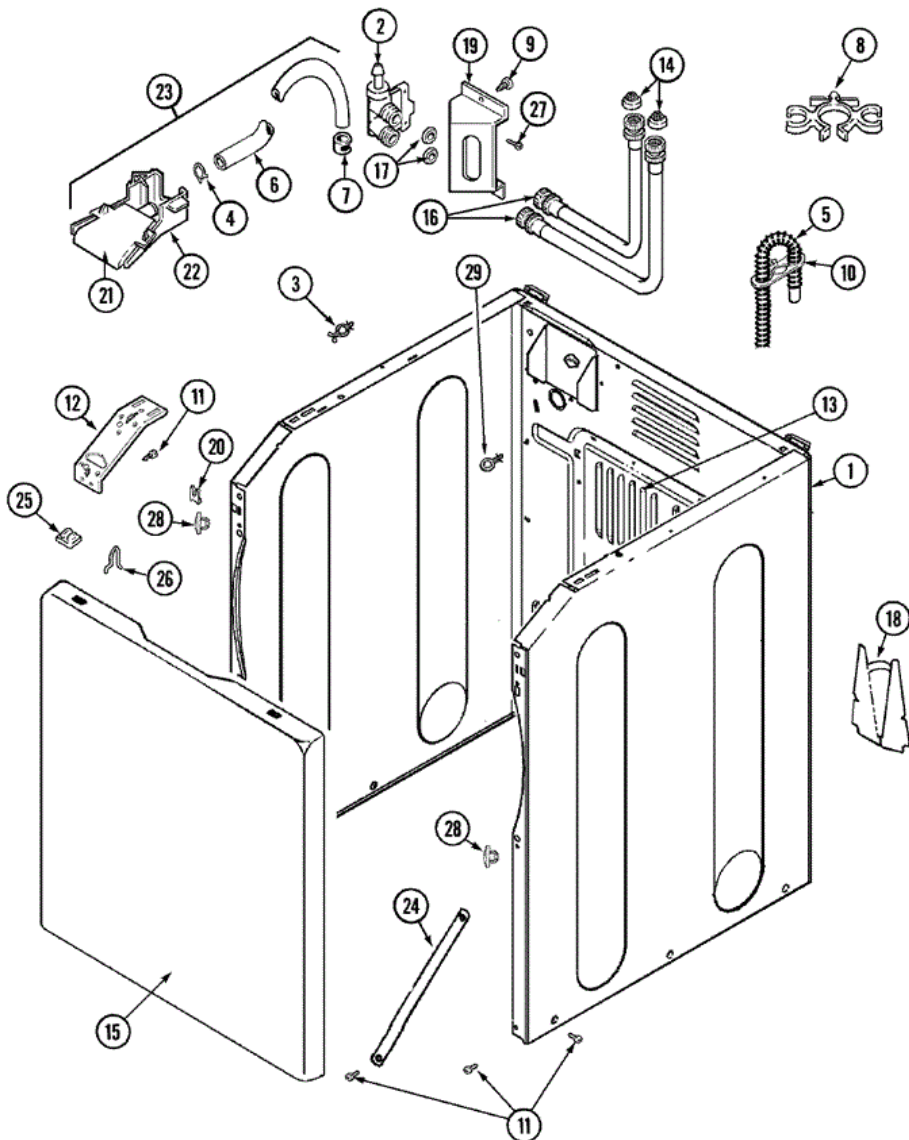
29	Y25-7951	10	WASHER, SUSPENSION HOOK
30	22002709	10	BELT, DRIVE
31	25-7830	10	SPACER
32	22002239	10	CLIP, LOWER FRONT PANEL
32	22002966	10	U-NUTS, TINNERMAN (FRT PNL)
33	22002782	10	PAD, FOAM (SOUND DAMPENER)

Distribuidor Autorizado

SurteRápido.com

Venta de Refacciones
Electrodomesticas

MAV6057AWW GABINETE



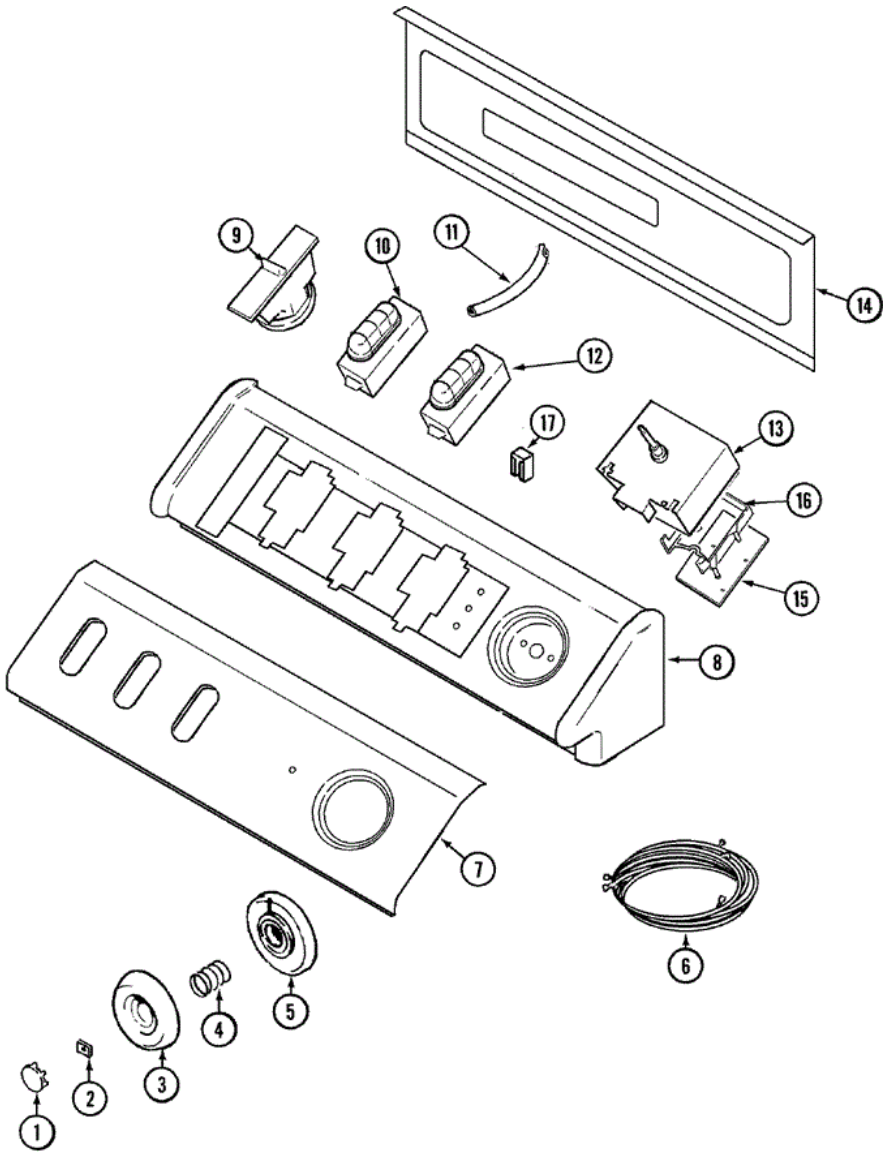


MAV6057AWW GABINETE

1	22002293	10	INSULATION, CABINET
1	22002548	10	CABINET ASSY. (WHT)
2	22002708	10	VALVE, WATER
3	22002852	10	RETAINER, WIRE
4	22002838	10	CLAMP, SPRING
5	12001586	10	ANTI-SIPHON ACCESSORY
5	22003410	10	HOSE, DRAIN
5	22003596	10	CLAMP, HOSE
6	22002761	10	HOSE, INJECTOR
7	216169	10	CLAMP,HOSE-INJEC.HOSE TO VALVE
8	22002765	10	CLIP, HOSE
9	33002190	10	SCREW (NO.10-3/8``)
10	22002701	10	RETAINER, DRAIN HOSE
11	22001995	10	SCREW
12	22002839	10	BRACE, CABINET (RT)
12	22002840	10	BRACE, CABINET (LT)
13	22002092	10	PANEL, ACCESS
14	200961	10	SCREEN WASHER, INLET HOSE
15	22002737	10	PANEL, FRONT (WHT)
15	22002854	10	PAD, SOUND BARRIER
16	22002763	10	INLET HOSE ASSY. (HOT)
16	22002764	10	INLET HOSE ASSY. (COLD)
17	Y013783	10	GASKET, INLET HOSE
18	22002704	10	COVER, DRAIN HOSE
19	22002762	10	BRACKET, WATER VALVE
20	22002748	10	FRONT PANEL BRACKET
21	22002759	10	FLUME, WATER INJECTOR (UPR)
22	22002760	10	FLUME, WATER INJECTOR (LWR)
23	22002722	10	INJECTOR FLUME ASSY.
24	22002767	10	BRACE, CROSS
25	22002013	10	STOP, SHIPPING
26	25-7220	10	CLIP, CABINET TOP
27	22002362	10	SCREW----NA

28	22002965	10	HOLE PLUG
29	22003086	10	CLIP, AIR DOME HOSE
30	22002229	10	STRAINER
30	22002702	10	TIE, BEADED
30	33001245	10	SCREW----NA
30	33002388	10	WASHER (HDWR PKG)
30	35-2890	10	CABLE TIE
30	Y013783	10	GASKET, INLET HOSE

MAV6057AWW TABLERO

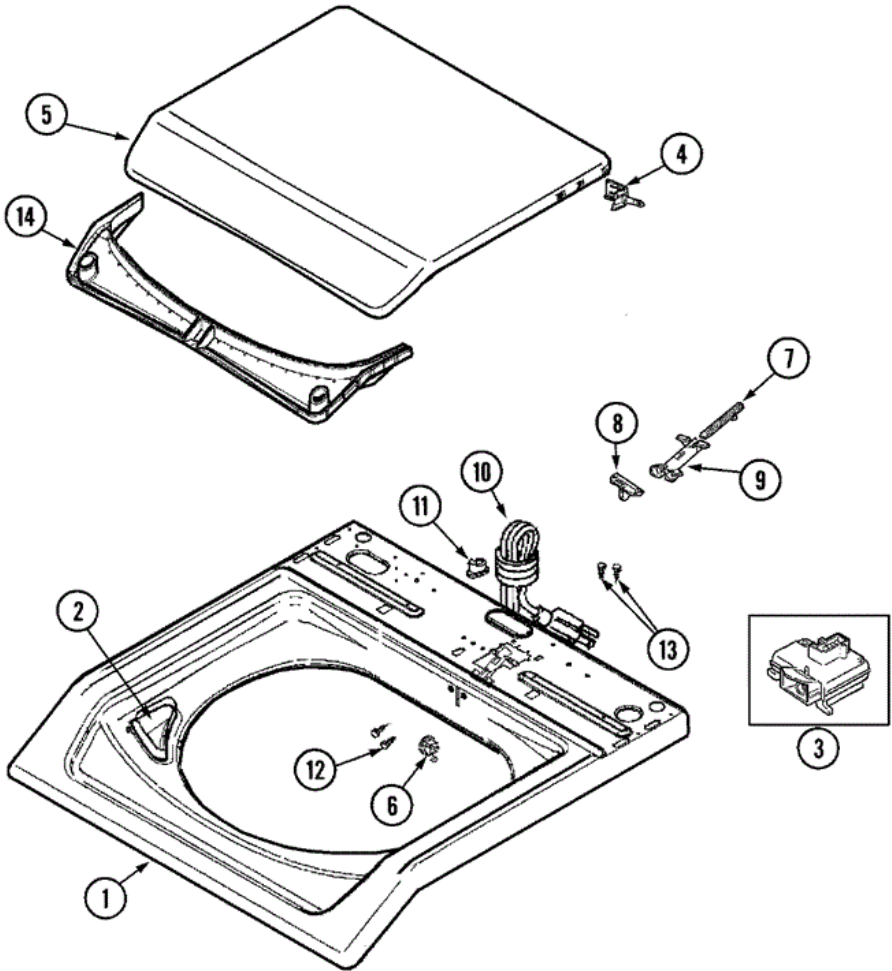




MAV6057AWW TABLERO

1	22001664	10	TIMER KNOB INSERT/CAP (WHT)
2	211605	10	RETAINER, TIMER KNOB
3	22001659	10	TIMER KNOB - GREY
4	211065	10	SPRING, TIMER KNOB
5	22001660	10	DIAL SKIRT - WHITE
6	22002728	10	WIRE HARNESS
7	22002823	10	PANEL, CONTROL (WHT)
8	33002286	10	CONSOLE (WHT)
9	22002706	10	SWITCH, PRESSURE
9	22003461	14	PAD, PRESSURE SWITCH
10	22001788	10	BUTTON, SWITCH (WHT-END)
10	22001789	10	BUTTON, SWITCH (WHT-MDL)
10	22002936	10	SWITCH, TEMPERATURE (4POS.WHT)
11	22002743	10	TUBE, WATER LEVEL SWITCH
11	22003237	12	AIR DOME HOSE
11	22003422	14	HOSE, AIR DOME
12	22001788	10	BUTTON, SWITCH (WHT-END)
12	22001789	10	BUTTON, SWITCH (WHT-MDL)
12	22002710	10	SWITCH, (4 POS. WHT)
13	22001661	10	SCREW, TIMER
13	22002716	10	TIMER
14	22002529	10	CONSOLE BACK PANEL
15	22002857	10	BOARD, CONTROL
16	22002856	10	BRACKET, MTG. (CTL. BOARD)
17	22001948	10	LENS, INDICATOR LIGHT
17	903115	10	LOCK LIGHT
18	16000327	10	GUIDE, QUICK REF. - MAYTAG
18	16009485	10	MANUAL, SERVICE-NO REFUND
18	22002806	10	MANUAL, USE & CARE
18	22002807	10	MANUAL, USE & CARE (FRENCH)

MAV6057AWW TAPA

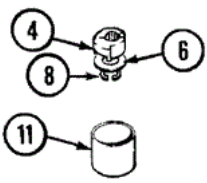
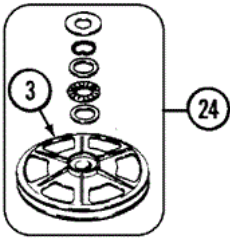
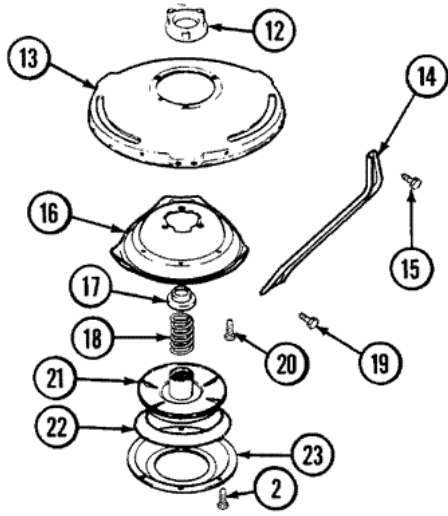
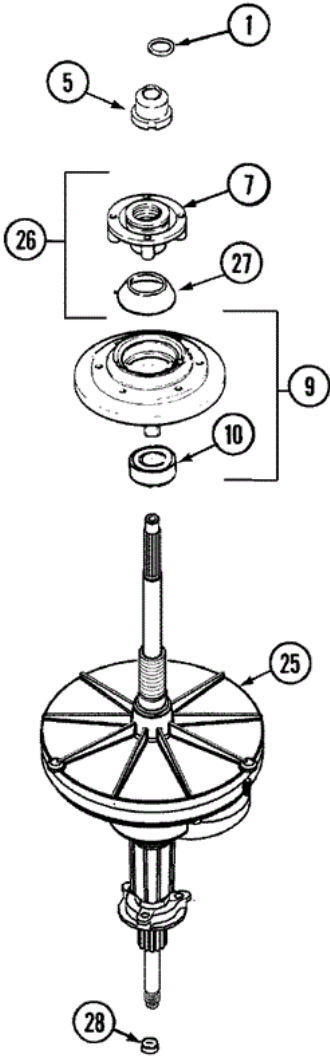




MAV6057AWW TAPA

1	22002739	10	COVER, TOP (WHT)
2	22002835	10	CUP, BLEACH (WHT)
3	22001967	10	SWITCH, LID
4	22002751	10	HINGE PIN (WHT)
5	22002872	10	LID, WASHER (WHT-W/MEDALLION)
6	22002753	10	BUSHING, HINGE
7	22002754	10	PLUNGER
8	22002755	10	CAM, LID (WHT)
9	22002757	10	GUIDE TUBE
10	22002837	10	CORD, POWER
11	33002053	10	GROMMET, CORD
12	2016090	10	SCREW, LID SWITCH TO BRACKET
13	Y705026	10	SCREW
14	22002967	10	CONDENSATE SEAL (WHT)

MAV6057AWW TRANSMISION

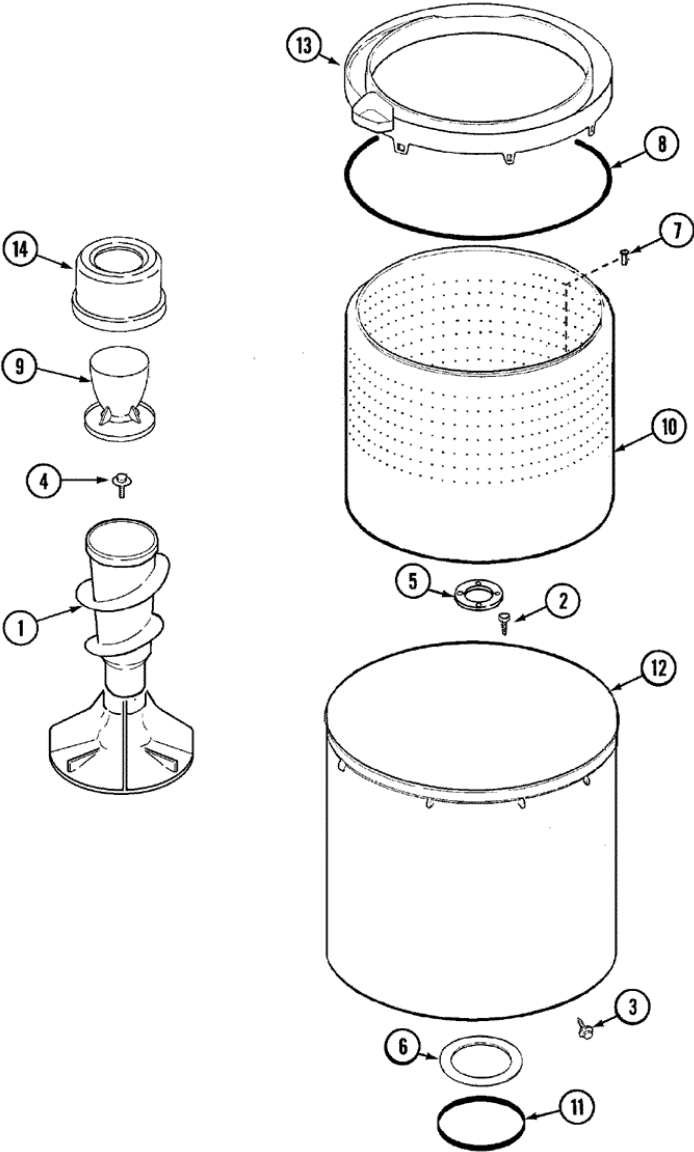




MAV6057AWW TRANSMISION

1	25-7941	10	``O`` RING
2	21001065	10	SCREW,NO.10-24X.50 HXNIBHD
3	35-3829	10	PULLEY, DRIVE
3	12001797	13	KIT, PULLEY & DUST CAP
4	LA-2007	10	CAM REPLACEMENT KIT
5	21001533	10	SEAL NUT ASSEMBLY
6	35-2082	10	WASHER,1.25ODX.530IDX.062
6	35-2132	10	WASHER,1.25ODX.530IDX.032
7	21001515	10	BASKET HUB ASSEMBLY
8	25-7854	10	RING, RETAINING
9	21001508	10	HOUSING/BEARING ASSY.
10	35-2205	10	BEARING, SPIN
11	35-2007	10	CAP, DUST
11	W10124350	13	NOT REQUIRED PART OR SEE NOTE
12	21001511	10	HOUSING/LWR.BEARING ASSY.
12	35-2205	10	BEARING, SPIN
13	21001518	10	SUPPORT, TUB
14	21001532	10	BRACE, TUB
15	25-7895	10	SCREW, SUSP HSG TO LWR BRG ASY
16	21001163	10	HOUSING, SUSPENSION
17	35-2017	10	RETAINER, BRAKE SPRING
18	31001285	10	SPRING, BRAKE
19	25-7930	10	SCREW 5/16-18X3/4
20	21001509	10	SCREW,HIGH PERFORMANCE PLASTIC
21	35-2948	10	BRAKE ROTOR & LINING ASSY
22	21001161	10	SNUBBER
23	35-2018	10	STATOR, BRAKE
24	12500036	10	THRUST BEARING KIT
25	21001536	10	TRANS. ASSY.(W/O SEAL/BEARING)
26	12001598	10	TUB SEAL ASSEMBLY
27	35-2974	10	TUB SEAL/HUB ASSY (HT TRANS)
28	35-2010	10	SEAL,TRANSMISSION HOUSING(LIP)

MAV6057AWW TINAS





MAV6057AWW TINAS

1	22002735	10	AGITATOR/AUGER ASSY.
2	21001510	10	SCREW
3	22002933	10	SCREW
4	25-7948	10	SCREW, AGITATOR RETENTION
5	35-3685	10	GASKET, BASKET TO CENTERPOST
6	35-3686	10	GASKET, TUB TO HOUSING
7	25-7967	10	SCREW, SHOULDER
8	35-2328	10	SEAL, TUB TOP
9	22002769	10	DISPENSER FABRIC SOFT.---SUB
10	22002741	10	SPINNER ASSEMBLY, PLASTIC
11	35-2978	10	SEAL, TUB/HOUSING
12	22002742	10	TUB, OUTER
13	22002736	10	TUB COVER ASSY. (TUB TOP)
14	22002758	10	DISPENSER ASSY, FAB. SOFT SUB
15	22003458	10	BLOCK, TUB (ATL)