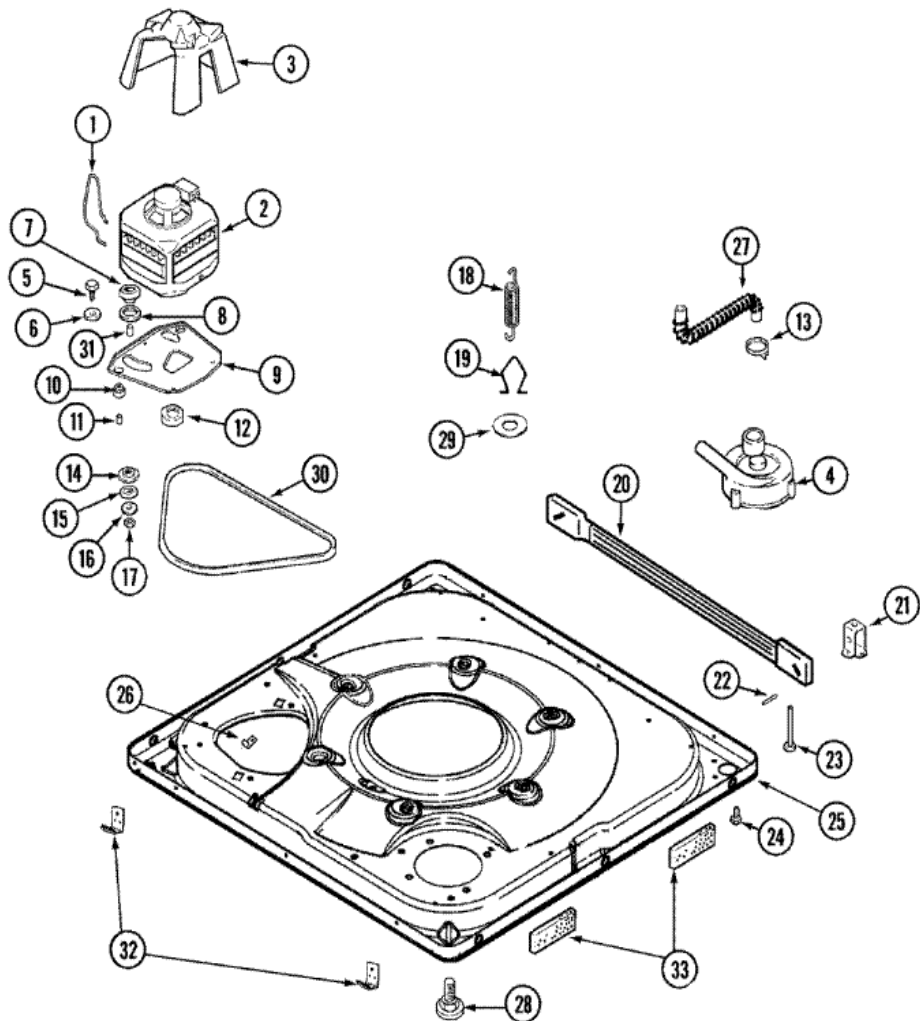


Distribuidor Autorizado

SurteRápido.com

Venta de Refacciones  
Electrodomesticas

# MAV6200AWW BASE





## MAV6200AWW BASE

1	22004376	SPRING, MOTOR PIVOT
2	21001950	MOTOR & PULLEY ASSY.
3	22002721	SHIELD, MOTOR <b>(S/P)</b>
3	33002190	SCREW (No.10-3/8``) <b>(S/P)</b>
4	22003438	SLEEVE, PUMP (ATL) <b>(S/P)</b>
4	22004055	SCREW HEX HD PUMP TO BASE <b>(S/P)</b>
4	21001906	PUMP ASSEMBLY
4	21002240	PUMP
5	25-7833	SCREW <b>(S/P)</b>
6	25-7834	WASHER <b>(S/P)</b>
7	33-9946	ISOLATOR, MOTOR
8	35-3570	WASHER, MOTOR PIVOT <b>(S/P)</b>
9	35-2065	PAD, MOTOR PLATE <b>(S/P)</b>
9	21001783	PLATE, MOTOR <b>(S/P)</b>
10	22004348	SLIDE, MOTOR PIVOT <b>(S/P)</b>
10	35-3646	ISOLATOR, MOTOR PLATE <b>(S/P)</b>
11	25-7831	SPACER <b>(S/P)</b>
12	3988894	PULLEY
12	21001950	PULLEY, MOTOR-60 HZ
13	22002853	CLAMP, HOSE <b>(S/P)</b>
14	35-3571	SLIDE, MOTOR PIVOT <b>(S/P)</b>
15	33-9967	WASHER, MOTOR ISOLATOR <b>(S/P)</b>
16	25-7047	WASHER, FLAT <b>(S/P)</b>
17	21002009	NUT, MOTOR PLATE ASY TO MOTOR <b>(S/P)</b>
18	21001598	SPRING, SUSPENSION
19	21001166	HOOK, SUSPENSION SPRING
20	21001881	BAR, STABILIZER
21	35-2046	BRACKET, STABILIZER
22	35-2052	PIN, STABILIZER
23	22004469	FOOT PAD ASSY. (REAR) <b>(S/P)</b>
24	33002190	SCREW (No.10-3/8``) <b>(S/P)</b>

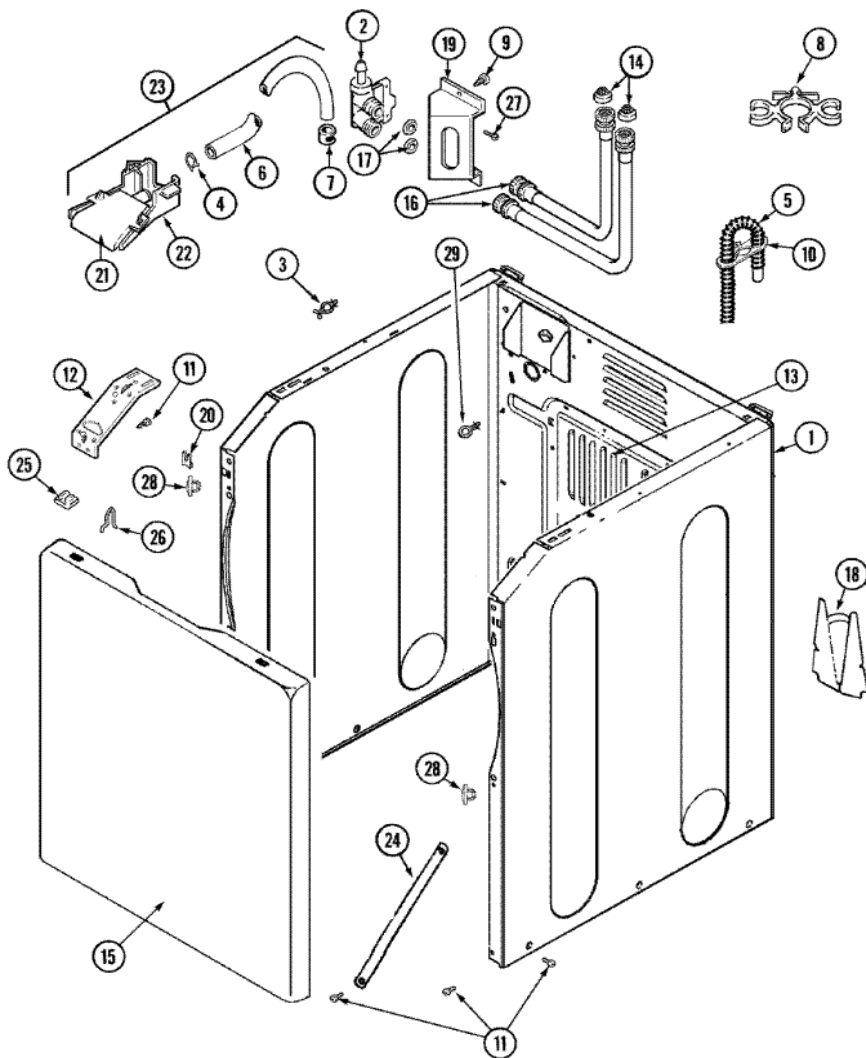
25	22003390	BASE (AS PACKED) <b>(S/P)</b>
25	22002841	BASE
26	25-7845	SPEEDNUT <b>(S/P)</b>
27	22003285	HOSE, TUB TO PUMP
28	25001119	FOOT & PAD ASSEMBLY <b>(S/P)</b>
29	Y25-7951	WASHER, SUSPENSION HOOK <b>(S/P)</b>
30	22002709	BELT, DRIVE <b>(S/P)</b>
30	22003483	BELT, DRIVE
31	25-7830	SPACER
32	692771	U-NUTS, TINNEMAN (FRT PNL) <b>(S/P)</b>
32	33002190	SCREW (No.10-3/8``) <b>(S/P)</b>
32	22002239	CLIP, LOWER FRONT PANEL <b>(S/P)</b>
33	3347868	PAD, FOAM (SOUND DAMPENR) <b>(S/P)</b>

Distribuidor Autorizado

SurteRápido.com

Venta de Refacciones  
Electrodomesticas

## MAV6200AWW GABINETE





**MAV6200AWW GABINETE**

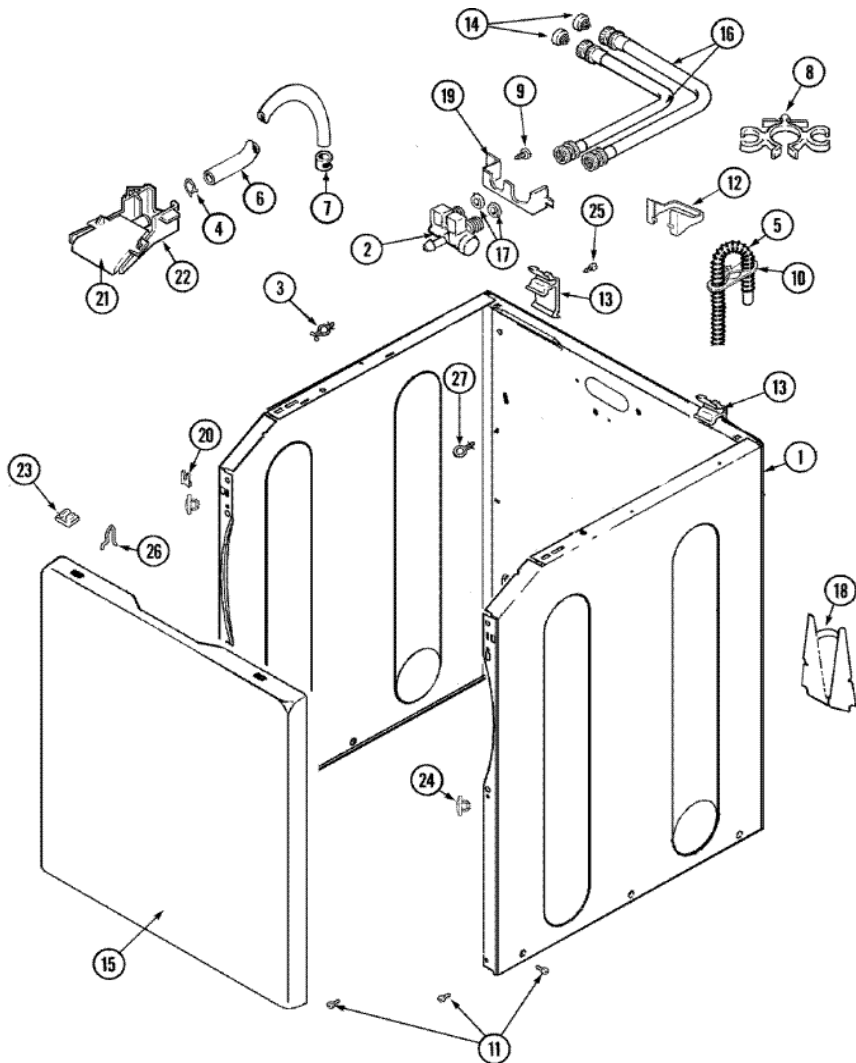
1	22002548	CABINET ASSY. (WHT) (S/P)
2	22002707	VALVE, WATER
3	22003298	RETAINER, WIRE (S/P)
4	285655	CLAMP, SPRING (S/P)
5	22003410	HOSE, DRAIN
5	22003596	CLAMP, HOSE (S/P)
5	12001586	ANTI-SIPHON ACCESSORY (S/P)
6	22002761	HOSE, INJECTOR (S/P)
7	216169	CLAMP, HOSE-INJEC.HOSE TO VALVE (S/P)
8	22002765	CLIP, HOSE (S/P)
10	22003814	RETAINER, DRAIN HOSE (S/P)
12	22002840	BRACE, CABINET (LT) (S/P)
12	22002839	BRACE, CABINET (RT) (S/P)
13	22002092	PANEL, ACCESS (S/P)
14	200961	SCREEN WASHER, INLET HOSE (S/P)
15	22002737	PANEL, FRONT (WHT) (S/P)
16	35-3401	HOSE, INLET (HOT) (S/P)
16	89503	HOSE, 4" INLET
17	Y013783	GASKET, INLET HOSE (S/P)
18	22002704	COVER, DRAIN HOSE (S/P)
19	22002762	BRACKET, WATER VALVE (S/P)
20	22002748	FRONT PANEL BRACKET (S/P)
21	22002759	FLUME, WATER INJECTOR (UPR) (S/P)
22	22002722	FLUME, WATER INJECTOR (LWR)
23	22002722	INJECTOR FLUME ASSY
24	22002767	BRACE, CROSS (S/P)
25	22002013	STOP, SHIPPING (S/P)
26	25-7220	CLIP, CABINET TOP (S/P)
28	22002965	HOLE PLUG (S/P)
29	22003086	CLIP, AIR DOME HOSE (S/P)

Distribuidor Autorizado

**SurteRápido.com**

Venta de Refacciones  
Electrodomesticas

## MAV6200AWW GABINETE





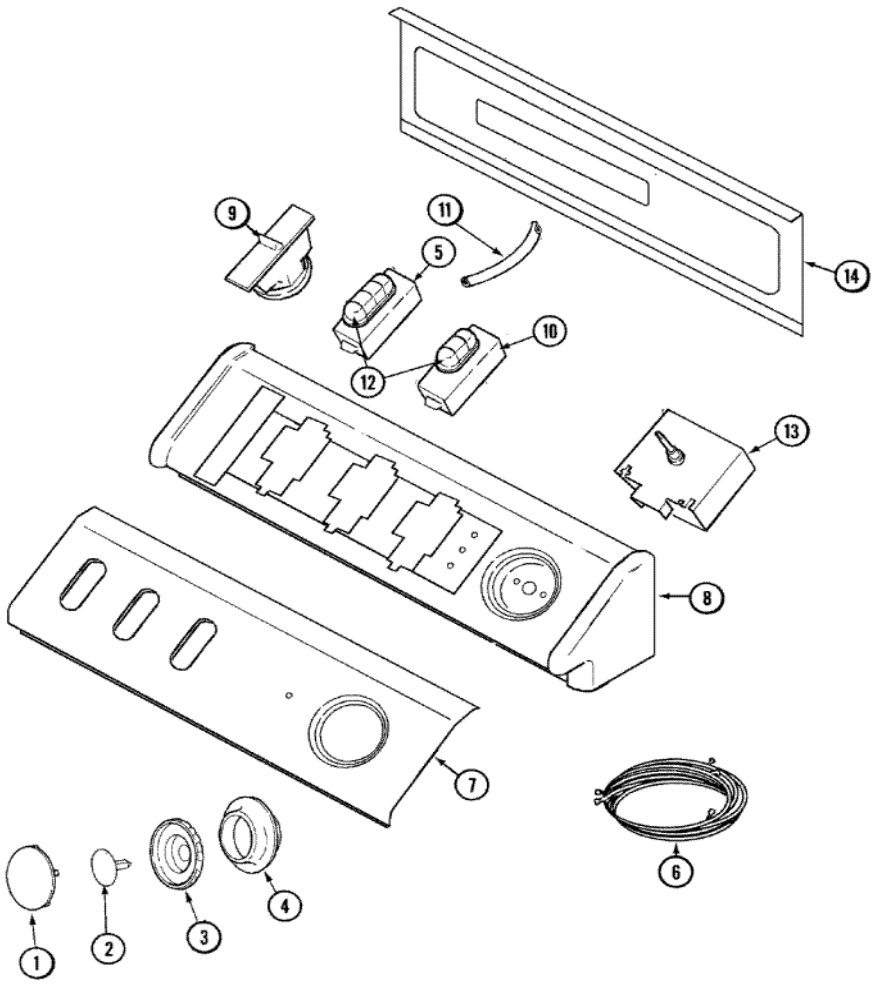
**MAV6200AWW GABINETE**

1	22002839	BRACE, CABINET (RT) (S/P)
1	22003553	CABINET ASSY. (WHT-AS PKD) (S/P)
1	22003496	ENERGY TAG (S/P)
1	22002840	BRACE, CABINET (LT) (S/P)
2	22003384	VALVE, WATER (S/P)
3	22003298	RETAINER, WIRE (S/P)
4	22002838	CLAMP, SPRING (S/P)
5	22003410	HOSE, DRAIN
5	22003596	CLAMP, HOSE (S/P)
6	22002761	HOSE, INJECTOR (S/P)
7	216169	CLAMP, HOSE-INJEC.HOSE TO VALVE (S/P)
8	22002765	CLIP, HOSE (S/P)
10	22003814	RETAINER, DRAIN HOSE (S/P)
12	22003429	RETAINER, FILL HOSE (S/P)
13	22004095	HINGE, PLASTIC
14	12001413	SCREEN WASHER, INLET HOSE (S/P)
15	22002737	PANEL, FRONT (WHT) (S/P)
15	22003511	INSULATION, CABINET (S/P)
15	33002190	SCREW (NO.10-3/8``) (S/P)
15	22003512	PAD, SOUND BARRIER (S/P)
16	12001901	INLET HOSE ASSY. (COLD) (S/P)
16	12001900	INLET HOSE ASSY. (HOT) (S/P)
17	Y013783	GASKET, INLET HOSE (S/P)
18	33002190	SCREW (NO.10-3/8``) (S/P)
18	22002704	COVER, DRAIN HOSE (S/P)
19	22003376	BRACKET, WATER VALVE (S/P)
20	22002748	FRONT PANEL BRACKET (S/P)
21	22004053	LOWER WATER INJECTOR, FLUME (S/P)
22	22003374	UPPER WATER INJECTOR, FLUME (S/P)
23	22002013	STOP, SHIPPING (S/P)
24	22002965	HOLE PLUG (S/P)

26	25-7220	CLIP, CABINET TOP <b>(S/P)</b>
27	22003086	CLIP, AIR DOME HOSE <b>(S/P)</b>
28	22002960	STRAINER, WASHER INLET <b>(S/P)</b>
28	Y013783	GASKET, INLET HOSE <b>(S/P)</b>
28	35-2890	CABLE TIE <b>(S/P)</b>
28	33002388	WASHER (HDWR PKG) <b>(S/P)</b>



**MAV6200AWW TABLERO**

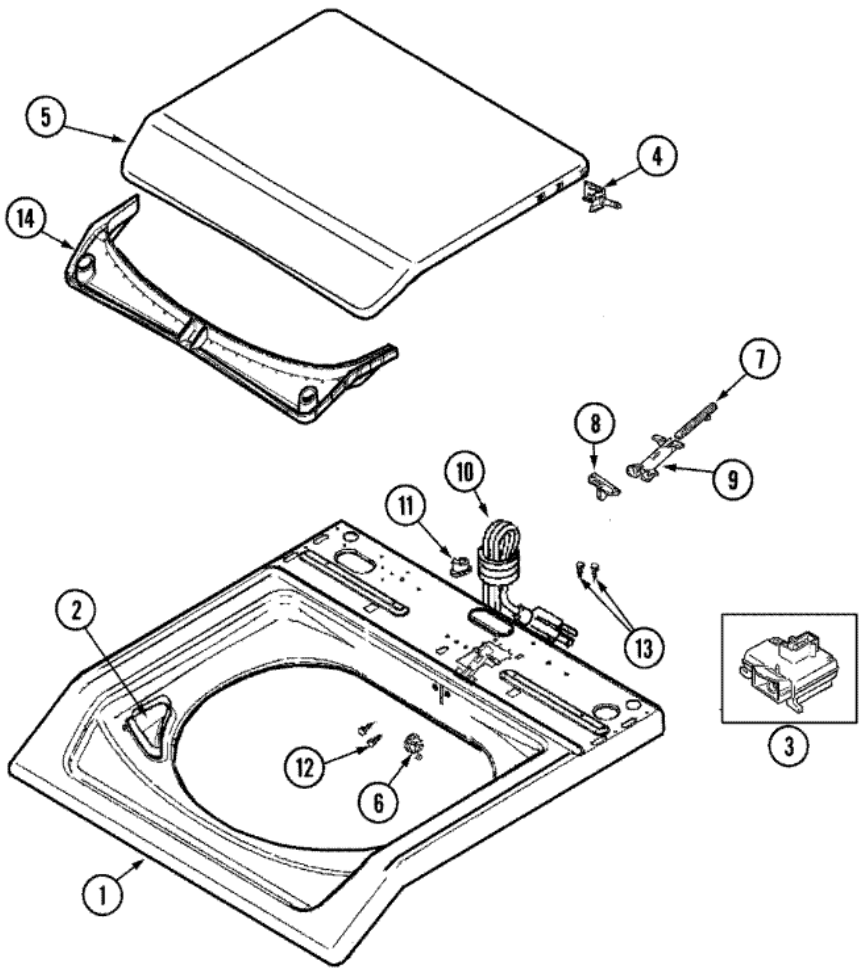




**MAV6200AWW TABLERO**

1	22001664	TIMER KNOB INSERT/CAP (WHT) <b>(S/P)</b>
2	22002997	PIN, LOCKING <b>(S/P)</b>
2	211605	RETAINER, TIMER KNOB <b>(S/P)</b>
3	22002996	KNOB, TIMER (GRY) <b>(S/P)</b>
4	22002995	SKIRT, TIMER KNOB (WHT) <b>(S/P)</b>
5	22002999	SWITCH (4 BUTTON TEMP) (WHT) <b>(S/P)</b>
6	22003381	HARNESS, MAIN <b>(S/P)</b>
7	22003395	PANEL, CONTROL (WHT) <b>(S/P)</b>
8	22002925	SCREW <b>(S/P)</b>
8	33002286	CONSOLE (WHT) <b>(S/P)</b>
9	22002706	SWITCH, PRESSURE <b>(S/P)</b>
9	22003461	PAD, PRESSURE SWITCH <b>(S/P)</b>
10	22003387	THREE BUTTON OPTION SWITCH-WHT <b>(S/P)</b>
11	22003237	AIR DOME HOSE <b>(S/P)</b>
11	22003422	HOSE, AIR DOME <b>(S/P)</b>
12	22001788	BUTTON, SWITCH (WHT-END) <b>(S/P)</b>
12	22001789	BUTTON, SWITCH (WHT-MDL) <b>(S/P)</b>
13	22003371	TIMER RPR <b>(S/P)</b>
14	22002529	CONSOLE BACK PANEL <b>(S/P)</b>

**MAV6200AWW TAPA**

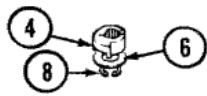
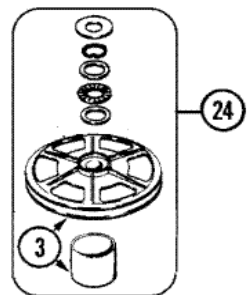
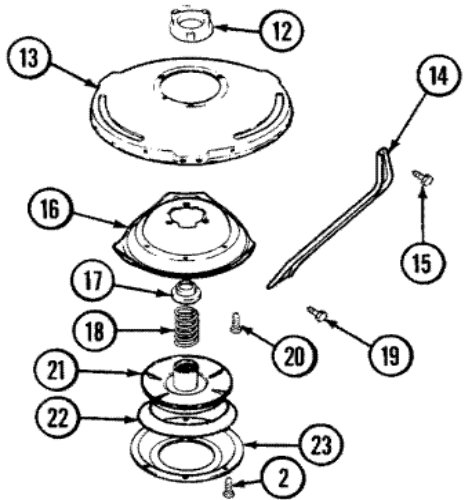
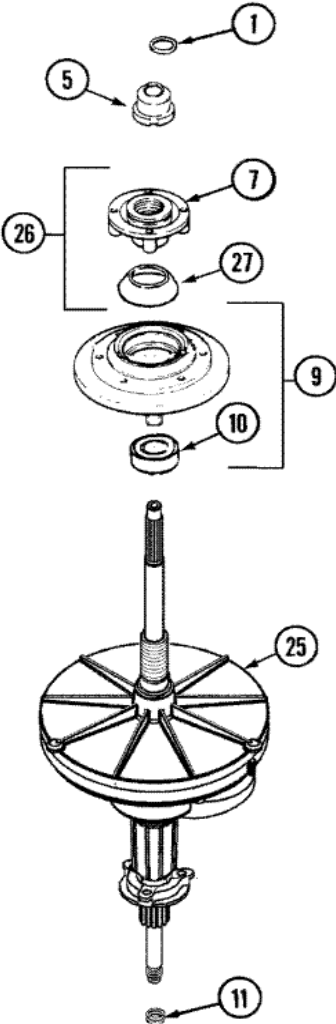




## MAV6200AWW TAPA

1	22004095	HINGE, PLASTIC
1	22003468	COVER, TOP (WHT-ASPKD) <b>(S/P)</b>
1	22002739	COVER, TOP (WHT) <b>(S/P)</b>
2	22002835	CUP, BLEACH (WHT) <b>(S/P)</b>
3	22003804	LID SWITCH
4	22002751	HINGE PIN (WHT) <b>(S/P)</b>
5	22002872	LID, WASHER (WHT-W/MEDALLION) <b>(S/P)</b>
6	22002753	BUSHING, HINGE <b>(S/P)</b>
7	22002754	PLUNGER <b>(S/P)</b>
8	22003941	CAM, LID (WHT)
9	22002757	GUIDE TUBE <b>(S/P)</b>
10	22003061	CORD, POWER (AS WRAPPED) <b>(S/P)</b>
11	211881	GROMMET, CORD <b>(S/P)</b>
12	2016090	SCREW, LID SWITCH TO BRACKET <b>(S/P)</b>
13	Y705026	SCREW <b>(S/P)</b>
14	22002967	CONDENSATE SEAL (WHT) <b>(S/P)</b>

**MAV6200AWW TRANSMISION**

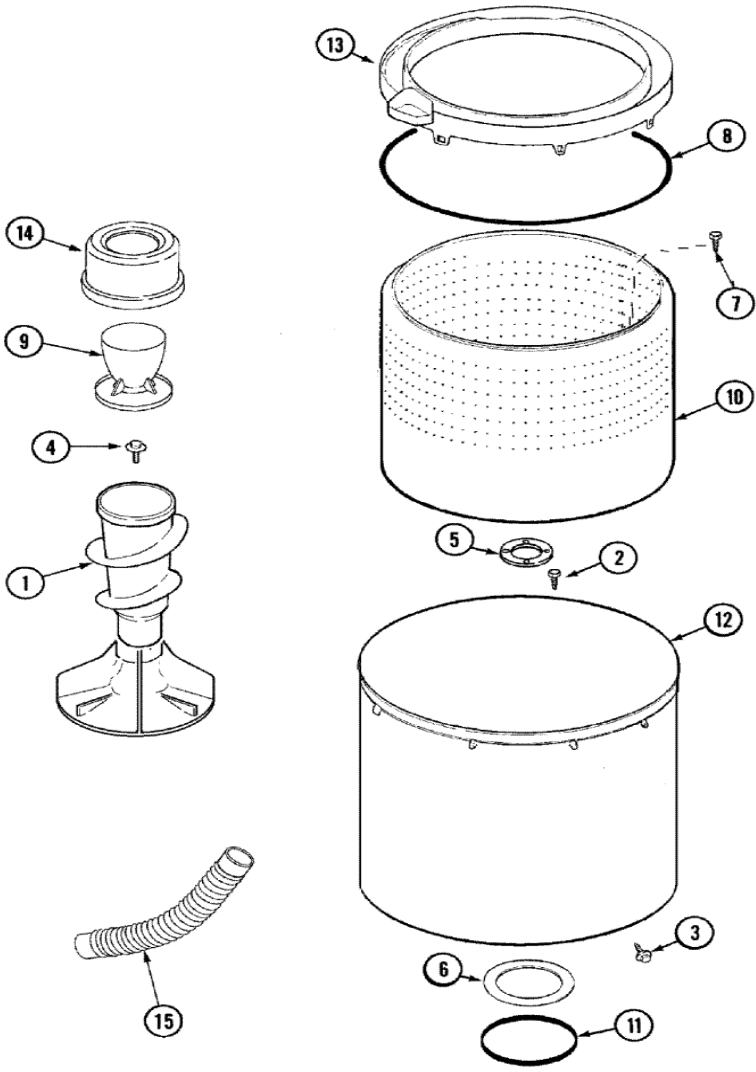




## MAV6200AWW TRANSMISION

1	25-7941	``O`` RING
3	12002213	KIT, PULLEY & DUST CAP
4	12002213	CAM REPLACEMENT KIT
5	21001533	SEAL NUT ASSEMBLY
6	35-2132	WASHER, 1.25ODX.530IDX.032
6	35-2082	WASHER, 1.25ODX.530IDX.062
7	21002237	BASKET HUB ASSEMBLY
8	25-7854	RING, RETAINING
9	21002237	TUB SEAL ASSEMBLY
10	35-2205	BEARING, SPIN
11	207843	SEAL, TRANSMISSION HOUSING(LIP)
12	12001562	HOUSING/LWR.BEARING ASSY.
12	35-2205	BEARING, SPIN
13	21001518	SUPPORT, TUB <b>(S/P)</b>
14	21001532	BRACE, TUB <b>(S/P)</b>
15	25-7895	SCREW, SUSP HSG TO LWR BRG ASY <b>(S/P)</b>
16	21001163	HOUSING, SUSPENSION <b>(S/P)</b>
17	35-2017	RETAINER, BRAKE SPRING
18	21001910	SPRING, BRAKE
21	35-2948	BRAKE ROTOR & LINING ASSY
22	21002026	SNUBBER
23	35-6918	STATOR, BRAKE
24	12002213	THRUST BEARING KIT
25	21001867	TRANS. ASSY.(W/O SEAL/BEARING)
25	12001867	DUAL WAX MOTOR CONVERSION <b>(S/P)</b>
26	21002237	SEAL HUB ASSEMBLY (HT TRAN)
27	33-7224N	TUB SEAL/HUB ASSY (HT TRANS)

**MAV620AWW TINA**





## MAV6200AWW TINA

1	22004042	AGITATOR/AUGER ASY
2	21001510	SCREW <b>(S/P)</b>
3	22002933	SCREW <b>(S/P)</b>
4	25-7948	SCREW, AGITATOR RETENTION <b>(S/P)</b>
5	35-3685	GASKET, BASKET TO CENTERPOST <b>(S/P)</b>
6	35-3686	GASKET, TUB TO HOUSING <b>(S/P)</b>
7	22003647	BOLT, SHOULDER, THREAD CUTTING <b>(S/P)</b>
8	35-2328	SEAL, TUB TOP
9	21001905	DISPENSER, FABRIC SOFTENER
9	22002769	DISPENSER FABRIC SOFT.---SUB
10	22002741	SPINNER ASSEMBLY, PLASTIC <b>(S/P)</b>
11	35-2978	SEAL, TUB/HOUSING <b>(S/P)</b>
12	22002742	TUB, OUTER <b>(S/P)</b>
13	22004385	TUB COVER ASSY. (TUB TOP) <b>(S/P)</b>
14	22002758	DISPENSER ASSY, FAB. SOFT SUB
15	22003285	HOSE, TUB TO PUMP
16	22004398	BLOCK, TUB (ATL) <b>(S/P)</b>