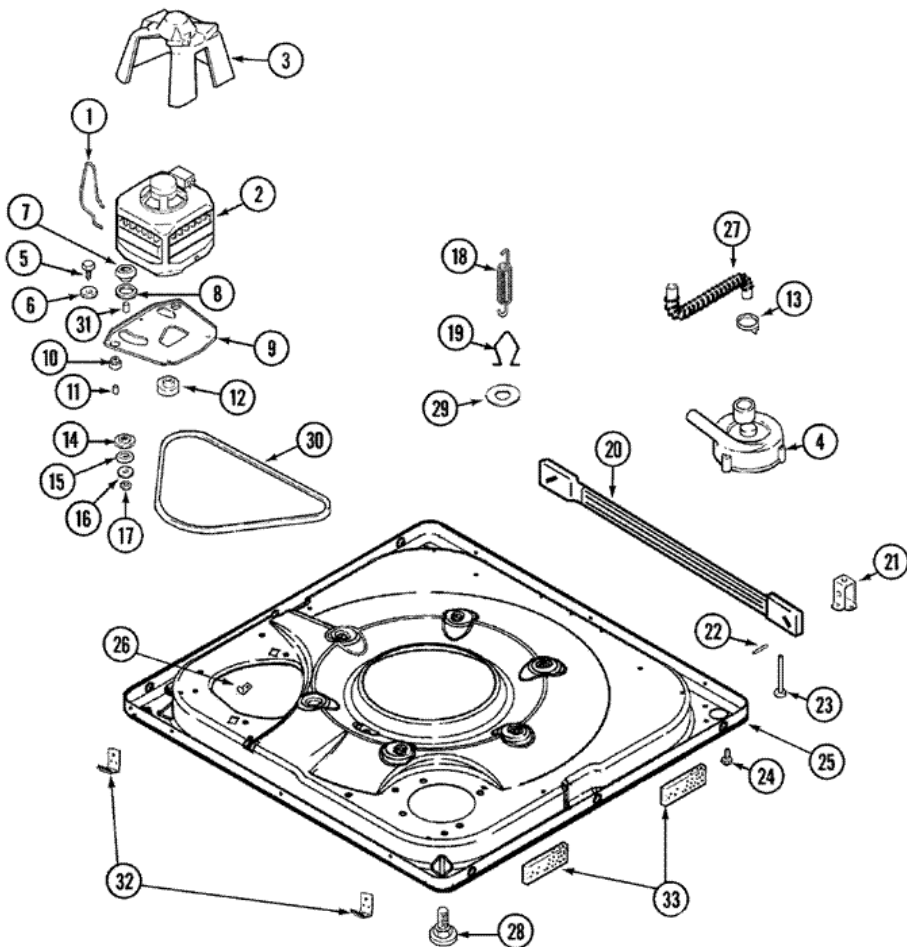


Distribuidor Autorizado

SurteRápido.com

Venta de Refacciones
Electrodomesticas

MAV6257AWW BASE





MAV6257AWW BASE

| | | | |
|----|----------|----|-------------------------------|
| 1 | 21001110 | 10 | SPRING, MOTOR PIVOT |
| 2 | 21001516 | 10 | MOTOR & PULLEY ASSY. |
| 3 | 22002721 | 10 | SHIELD, MOTOR |
| 3 | 33002190 | 10 | SCREW (NO.10-3/8``) |
| 4 | 21001906 | 10 | PUMP ASSEMBLY |
| 4 | 22003438 | 16 | SLEEVE, PUMP (ATL) |
| 4 | 21001873 | 26 | PUMP |
| 5 | 25-7833 | 10 | SCREW |
| 6 | 25-7834 | 10 | WASHER |
| 7 | 33-9946 | 10 | ISOLATOR, MOTOR |
| 8 | 35-3570 | 10 | WASHER, MOTOR PIVOT |
| 9 | 21001366 | 10 | PLATE, MOTOR |
| 9 | 35-2065 | 10 | PAD, MOTOR PLATE |
| 10 | 22004348 | 10 | SLIDE, MOTOR PIVOT |
| 10 | 35-3646 | 10 | ISOLATOR, MOTOR PLATE |
| 11 | 25-7831 | 10 | SPACER |
| 12 | 21001506 | 10 | PULLEY, MOTOR-60 HZ |
| 12 | 22004297 | 21 | PULLEY |
| 13 | 22002853 | 10 | CLAMP, HOSE |
| 14 | 35-3571 | 10 | SLIDE, MOTOR PIVOT |
| 15 | 33-9967 | 10 | WASHER, MOTOR ISOLATOR |
| 16 | 25-7047 | 10 | WASHER, FLAT |
| 17 | 25-7325 | 10 | NUT, MOTOR PLATE ASY TO MOTOR |
| 18 | 21001598 | 10 | SPRING, SUSPENSION |
| 19 | 21001166 | 10 | HOOK, SUSPENSION SPRING |
| 20 | 21001754 | 10 | BAR, STABILIZER |
| 21 | 35-2046 | 10 | BRACKET, STABILIZER |
| 22 | 35-2052 | 10 | PIN, STABILIZER |
| 23 | 35-3020 | 10 | FOOT PAD ASSY. (REAR) |
| 24 | 33002190 | 10 | SCREW (NO.10-3/8``) |
| 24 | 33002190 | 18 | SCREW (NO.10-3/8``) |
| 25 | 22002841 | 10 | BASE |
| 25 | 22003390 | 18 | BASE (AS PACKED) |

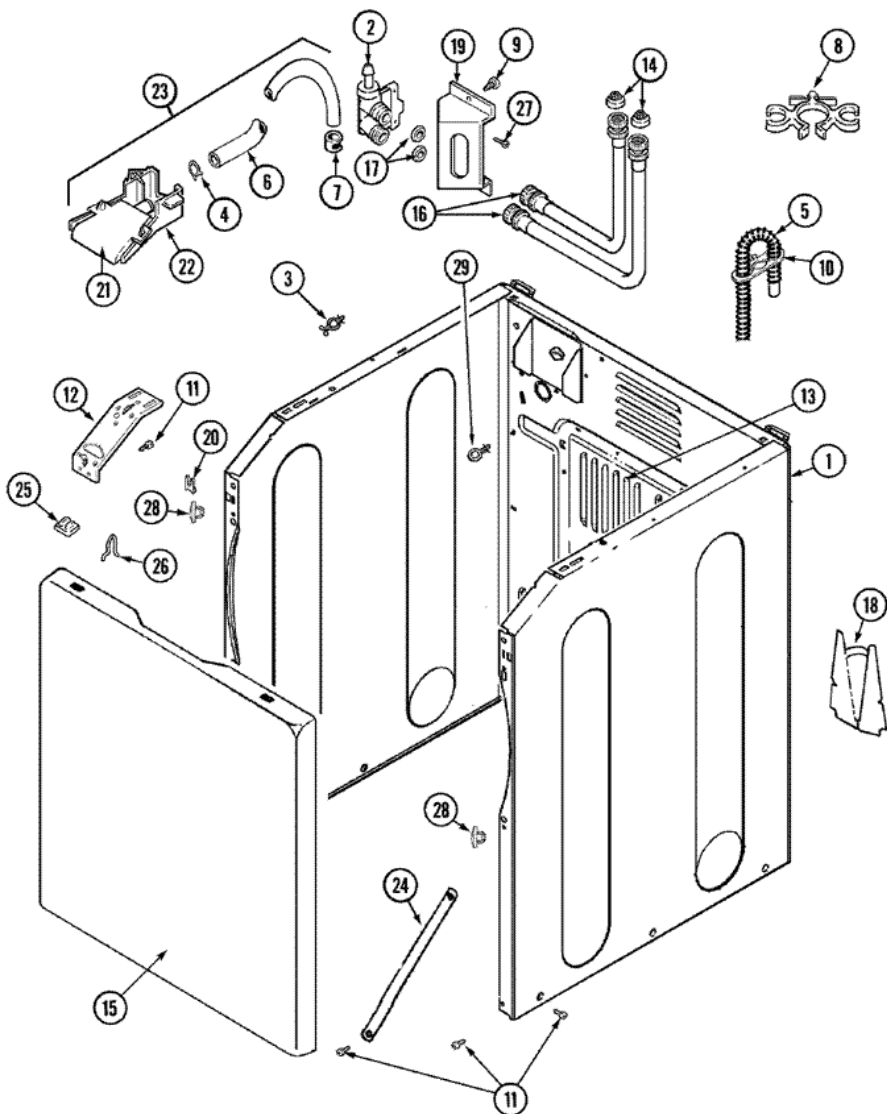
| | | | |
|----|----------|----|-----------------------------|
| 26 | 25-7845 | 10 | SPEEDNUT |
| 27 | 22003285 | 10 | HOSE, TUB TO PUMP |
| 28 | 35-3507 | 10 | FOOT & PAD ASSY |
| 29 | Y25-7951 | 10 | WASHER, SUSPENSION HOOK |
| 30 | 22002709 | 10 | BELT, DRIVE |
| 30 | 22003483 | 17 | BELT, DRIVE |
| 31 | 25-7830 | 10 | SPACER |
| 32 | 22002239 | 10 | CLIP, LOWER FRONT PANEL |
| 32 | 22002966 | 10 | U-NUTS, TINNERMAN (FRT PNL) |
| 32 | 33002190 | 10 | SCREW (NO.10-3/8``) |
| 33 | 22002782 | 10 | PAD, FOAM (SOUND DAMPENER) |

Distribuidor Autorizado

SurteRápido.com

Venta de Refacciones
Electrodomesticas

MAV6257AWW GABINETE





MAV6257AWW GABINETE

| | | | |
|----|----------|----|--------------------------------|
| 1 | 22002548 | 10 | CABINET ASSY. (WHT) |
| 2 | 22002708 | 10 | VALVE, WATER |
| 3 | 22002852 | 10 | RETAINER, WIRE |
| 4 | 22002838 | 10 | CLAMP, SPRING |
| 5 | 12001586 | 10 | ANTI-SIPHON ACCESSORY |
| 5 | 22003410 | 10 | HOSE, DRAIN |
| 5 | 22003596 | 10 | CLAMP, HOSE |
| 6 | 22002761 | 10 | HOSE, INJECTOR |
| 7 | 216169 | 10 | CLAMP,HOSE-INJEC.HOSE TO VALVE |
| 8 | 22002765 | 10 | CLIP, HOSE |
| 9 | 33002190 | 10 | SCREW (NO.10-3/8``) |
| 10 | 22002701 | 10 | RETAINER, DRAIN HOSE |
| 11 | 22001995 | 10 | SCREW |
| 12 | 22002839 | 10 | BRACE, CABINET (RT) |
| 12 | 22002840 | 10 | BRACE, CABINET (LT) |
| 13 | 22002092 | 10 | PANEL, ACCESS |
| 14 | 200961 | 10 | SCREEN WASHER, INLET HOSE |
| 15 | 22002737 | 10 | PANEL, FRONT (WHT) |
| 16 | 33-7891 | 10 | HOSE, 4` INLET |
| 16 | 35-3401 | 10 | HOSE, INLET (HOT) |
| 17 | Y013783 | 10 | GASKET, INLET HOSE |
| 18 | 22002704 | 10 | COVER, DRAIN HOSE |
| 19 | 22002762 | 10 | BRACKET, WATER VALVE |
| 20 | 22002748 | 10 | FRONT PANEL BRACKET |
| 21 | 22002759 | 10 | FLUME, WATER INJECTOR (UPR) |
| 22 | 22002760 | 10 | FLUME, WATER INJECTOR (LWR) |
| 23 | 22002722 | 10 | INJECTOR FLUME ASSY. |
| 24 | 22002767 | 10 | BRACE, CROSS |
| 25 | 22002013 | 10 | STOP, SHIPPING |
| 26 | 25-7220 | 10 | CLIP, CABINET TOP |
| 27 | 22002362 | 10 | SCREW----NA |
| 28 | 22002965 | 10 | HOLE PLUG |
| 29 | 22003086 | 10 | CLIP, AIR DOME HOSE |

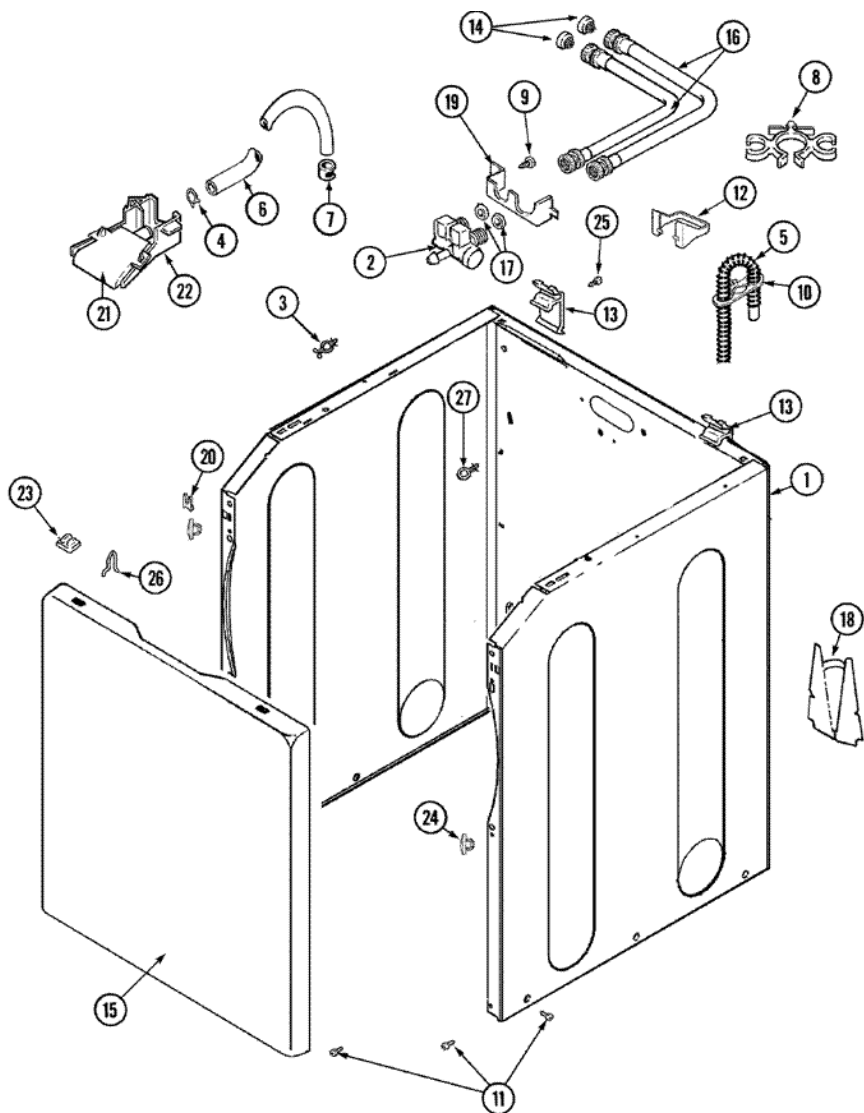
| | | | |
|----|----------|----|--------------------|
| 30 | 22002229 | 10 | STRAINER |
| 30 | 22002702 | 10 | TIE, BEADED |
| 30 | 33001245 | 10 | SCREW----NA |
| 30 | 33002388 | 10 | WASHER (HDWR PKG) |
| 30 | 35-2890 | 10 | CABLE TIE |
| 30 | Y013783 | 10 | GASKET, INLET HOSE |

Distribuidor Autorizado

SurteRápido.com

Venta de Refacciones
Electrodomesticas

MAV6257AWW GABINETE



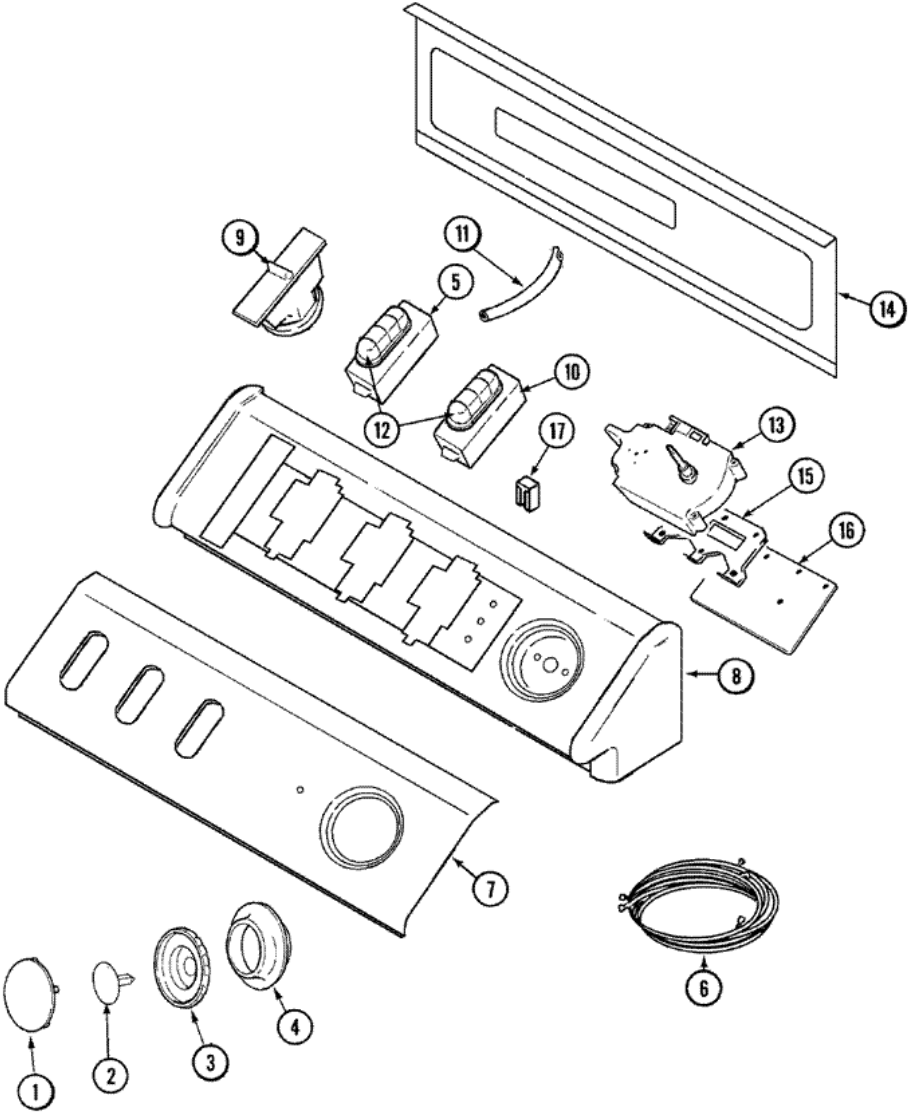


MAV6257AWW GABINETE

| | | | |
|----|----------|----|--------------------------------|
| 1 | 22003496 | 18 | ENERGY TAG |
| 1 | 22003553 | 18 | CABINET ASSY. (WHT-AS PKD) |
| 1 | 33002190 | 18 | SCREW (NO.10-3/8``) |
| 2 | 22003372 | 18 | VALVE, WATER W/THERMISTER |
| 3 | 22002852 | 18 | RETAINER, WIRE |
| 4 | 22002838 | 18 | CLAMP, SPRING |
| 5 | 22003410 | 18 | HOSE, DRAIN |
| 5 | 22003596 | 18 | CLAMP, HOSE |
| 6 | 22002761 | 18 | HOSE, INJECTOR |
| 7 | 216169 | 18 | CLAMP,HOSE-INJEC.HOSE TO VALVE |
| 8 | 22002765 | 18 | CLIP, HOSE |
| 9 | 33002190 | 18 | SCREW (NO.10-3/8``) |
| 10 | 22002701 | 18 | RETAINER, DRAIN HOSE |
| 11 | 22003409 | 18 | SCREW----NA |
| 12 | 22003429 | 18 | RETAINER, FILL HOSE |
| 13 | 22003367 | 18 | HINGE, PLASTIC |
| 14 | 200961 | 18 | SCREEN WASHER, INLET HOSE |
| 15 | 22002293 | 18 | INSULATION, CABINET |
| 15 | 22002737 | 18 | PANEL, FRONT (WHT) |
| 15 | 22002854 | 18 | PAD, SOUND BARRIER |
| 15 | 33002190 | 18 | SCREW (NO.10-3/8``) |
| 16 | 22002763 | 18 | INLET HOSE ASSY. (HOT) |
| 16 | 22002764 | 18 | INLET HOSE ASSY. (COLD) |
| 17 | Y013783 | 18 | GASKET, INLET HOSE |
| 18 | 22002704 | 18 | COVER, DRAIN HOSE |
| 18 | 33002190 | 18 | SCREW (NO.10-3/8``) |
| 19 | 22003376 | 18 | BRACKET, WATER VALVE |
| 20 | 22002748 | 18 | FRONT PANEL BRACKET |
| 21 | 22003374 | 18 | UPPER WATER INJECTOR, FLUME |
| 22 | 22003375 | 18 | LOWER WATER INJECTOR, FLUME |
| 23 | 22002013 | 18 | STOP, SHIPPING |
| 24 | 22002965 | 18 | HOLE PLUG |
| 25 | 22001995 | 18 | SCREW |

| | | | |
|----|----------|----|------------------------|
| 26 | 25-7220 | 18 | CLIP, CABINET TOP |
| 27 | 22003086 | 18 | CLIP, AIR DOME HOSE |
| 28 | 22002960 | 18 | STRAINER, WASHER INLET |
| 28 | 33001245 | 18 | SCREW----NA |
| 28 | 33002388 | 18 | WASHER (HDWR PKG) |
| 28 | 35-2890 | 18 | CABLE TIE |
| 28 | Y013783 | 18 | GASKET, INLET HOSE |

MAV6257AWW TABLERO

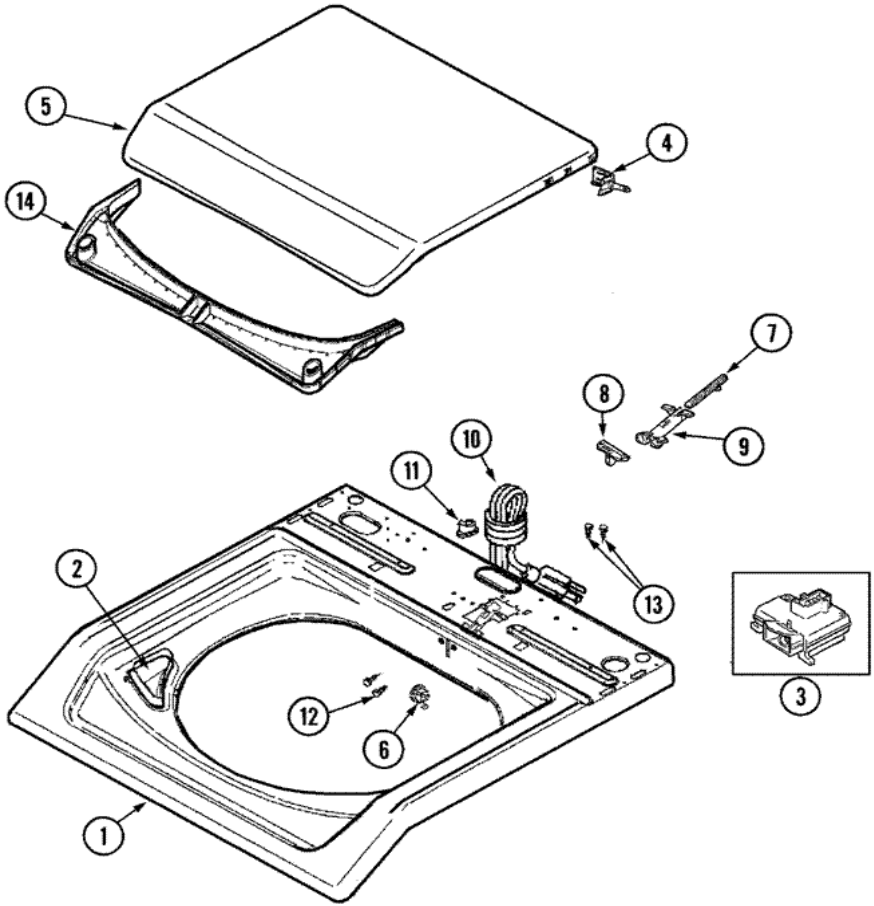




MAV6257AWW TABLERO

| | | | |
|----|-----------|----|-------------------------------|
| 1 | 22001664 | 10 | TIMER KNOB INSERT/CAP (WHT) |
| 2 | 211605 | 10 | RETAINER, TIMER KNOB |
| 2 | 22002997 | 18 | PIN, LOCKING |
| 3 | 22002996 | 10 | KNOB, TIMER (GRY) |
| 4 | 22002995 | 10 | SKIRT, TIMER KNOB (WHT) |
| 5 | 22002999 | 10 | SWITCH (4 BUTTON TEMP) (WHT) |
| 6 | 22003380 | 10 | HARNESS, MAIN |
| 7 | 22003397 | 10 | PANEL, CONTROL (WHT) |
| 8 | 22002925 | 10 | SCREW |
| 8 | 33002286 | 10 | CONSOLE (WHT) |
| 9 | 22002706 | 10 | SWITCH, PRESSURE |
| 9 | 22003461 | 10 | PAD, PRESSURE SWITCH |
| 10 | 22003385 | 10 | SWITCH, (4 BUTTON TEMP) (WHT) |
| 10 | 22003386 | 10 | SWITCH, FOUR BUTTON - BSQ |
| 11 | 22003422 | 10 | HOSE, AIR DOME |
| 11 | 22003237 | 18 | AIR DOME HOSE |
| 12 | 22001788 | 10 | BUTTON, SWITCH (WHT-END) |
| 12 | 22001789 | 10 | BUTTON, SWITCH (WHT-MDL) |
| 13 | 22003371 | 10 | TIMER RPR |
| 14 | 22002529 | 10 | CONSOLE BACK PANEL |
| 14 | Y22002339 | 10 | SCREW |
| 15 | 22003003 | 10 | BRACKET, ATC / TIMER |
| 16 | 22002857 | 10 | BOARD, CONTROL |
| 16 | 22003575 | 21 | BOARD, CONTROL |
| 17 | 22001948 | 10 | LENS, INDICATOR LIGHT |
| 17 | 903115 | 10 | LOCK LIGHT |

MAV6257AWW TAPA

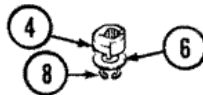
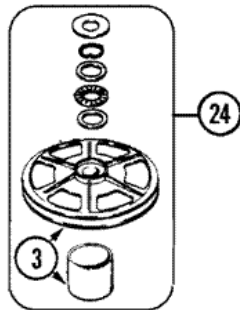
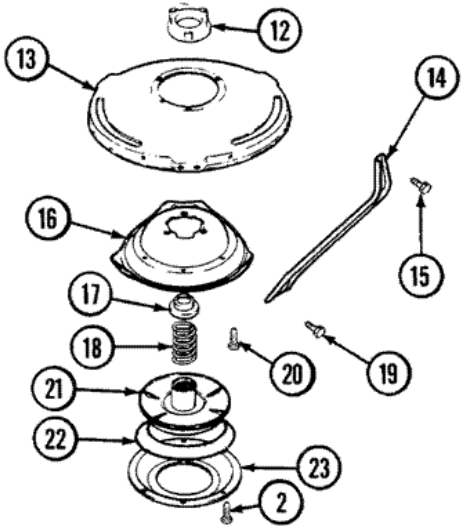
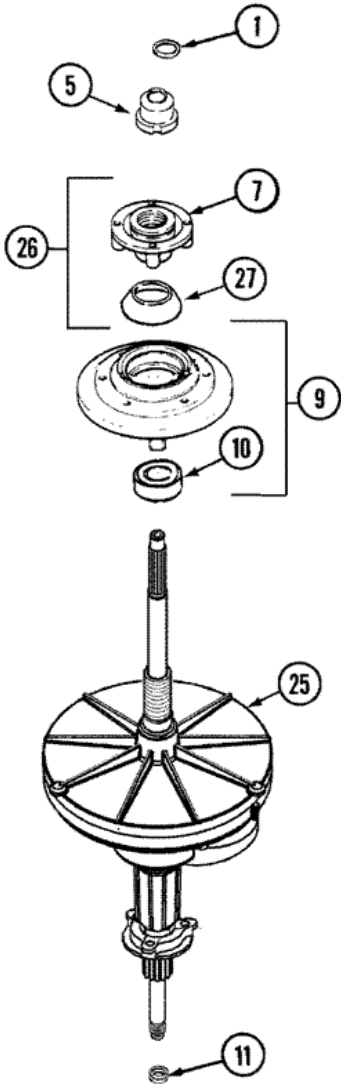




MAV6257AWW TAPA

| | | | |
|----|----------|----|-------------------------------|
| 1 | 22002739 | 10 | COVER, TOP (WHT) |
| 1 | 22003367 | 18 | HINGE, PLASTIC |
| 1 | 22003468 | 18 | COVER, TOP (WHT-ASPKD) |
| 2 | 22002835 | 10 | CUP, BLEACH (WHT) |
| 3 | 22001967 | 10 | SWITCH, LID |
| 4 | 22002751 | 10 | HINGE PIN (WHT) |
| 5 | 22002872 | 10 | LID, WASHER (WHT-W/MEDALLION) |
| 6 | 22002753 | 10 | BUSHING, HINGE |
| 7 | 22002754 | 10 | PLUNGER |
| 8 | 22002755 | 10 | CAM, LID (WHT) |
| 9 | 22002757 | 10 | GUIDE TUBE |
| 10 | 22003061 | 10 | CORD, POWER (AS WRAPPED) |
| 11 | 33002053 | 10 | GROMMET, CORD |
| 12 | 2016090 | 10 | SCREW, LID SWITCH TO BRACKET |
| 13 | Y705026 | 10 | SCREW |
| 14 | 22002967 | 10 | CONDENSATE SEAL (WHT) |

MAV6257AWW TRANSMISION

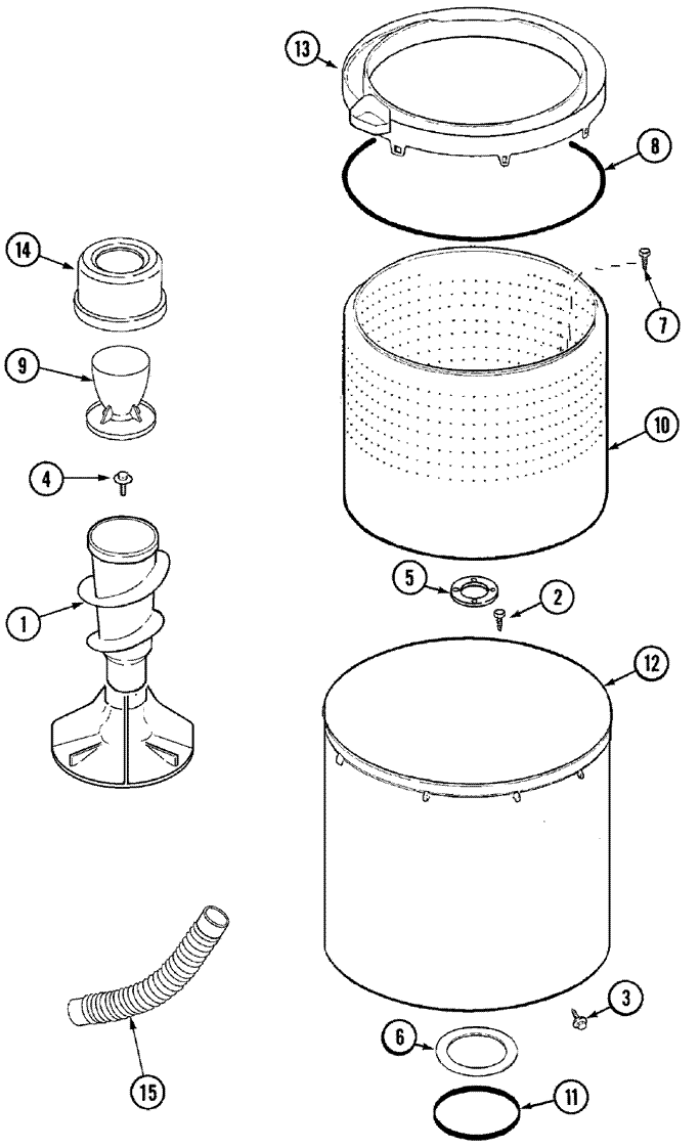




MAV6257AWW TRANSMISION

| | | | |
|----|----------|----|--------------------------------|
| 1 | 25-7941 | 10 | ``O`` RING |
| 2 | 21001065 | 10 | SCREW,NO.10-24X.50 HXNIBHD |
| 3 | 12001797 | 10 | KIT, PULLEY & DUST CAP |
| 4 | LA-2007 | 10 | CAM REPLACEMENT KIT |
| 5 | 21001533 | 10 | SEAL NUT ASSEMBLY |
| 6 | 35-2082 | 10 | WASHER,1.25ODX.530IDX.062 |
| 6 | 35-2132 | 10 | WASHER,1.25ODX.530IDX.032 |
| 7 | 21001515 | 10 | BASKET HUB ASSEMBLY |
| 8 | 25-7854 | 10 | RING, RETAINING |
| 9 | 12001598 | 10 | TUB SEAL ASSEMBLY |
| 10 | 35-2205 | 10 | BEARING, SPIN |
| 11 | 35-2010 | 10 | SEAL,TRANSMISSION HOUSING(LIP) |
| 12 | 21001511 | 10 | HOUSING/LWR.BEARING ASSY. |
| 12 | 35-2205 | 10 | BEARING, SPIN |
| 13 | 21001518 | 10 | SUPPORT, TUB |
| 14 | 21001532 | 10 | BRACE, TUB |
| 15 | 25-7895 | 10 | SCREW, SUSP HSG TO LWR BRG ASY |
| 16 | 21001163 | 10 | HOUSING, SUSPENSION |
| 17 | 35-2017 | 10 | RETAINER, BRAKE SPRING |
| 18 | 31001285 | 10 | SPRING, BRAKE |
| 19 | 25-7930 | 10 | SCREW 5/16-18X3/4 |
| 20 | 21001509 | 10 | SCREW,HIGH PERFORMANCE PLASTIC |
| 21 | 35-2948 | 10 | BRAKE ROTOR & LINING ASSY |
| 22 | 21001161 | 10 | SNUBBER |
| 23 | 35-2018 | 10 | STATOR, BRAKE |
| 24 | 12500036 | 10 | THRUST BEARING KIT |
| 25 | 21001536 | 10 | TRANS. ASSY.(W/O SEAL/BEARING) |
| 26 | 21001508 | 10 | HOUSING/BEARING ASSY. |
| 27 | 35-2974 | 10 | TUB SEAL/HUB ASSY (HT TRANS) |

MAV6257AWW TINAS





MAV6257AWW TINAS

| | | | |
|----|----------|----|--------------------------------|
| 1 | 22003383 | 10 | ASSY,AUGER & AGITAT (ASPK-ATL) |
| 1 | 22003518 | 20 | AGITATOR/AUGER ASY. |
| 2 | 21001510 | 10 | SCREW |
| 3 | 22002933 | 10 | SCREW |
| 4 | 25-7948 | 10 | SCREW, AGITATOR RETENTION |
| 5 | 35-3685 | 10 | GASKET, BASKET TO CENTERPOST |
| 6 | 35-3686 | 10 | GASKET, TUB TO HOUSING |
| 7 | 22003647 | 10 | BOLT, SHOULDER, THREAD CUTTING |
| 8 | 35-2328 | 10 | SEAL, TUB TOP |
| 9 | 22002769 | 10 | DISPENSER FABRIC SOFT.---SUB |
| 10 | 22002741 | 10 | SPINNER ASSEMBLY, PLASTIC |
| 11 | 35-2978 | 10 | SEAL, TUB/HOUSING |
| 12 | 22002742 | 10 | TUB, OUTER |
| 13 | 22002736 | 10 | TUB COVER ASSY. (TUB TOP) |
| 14 | 22002758 | 10 | DISPENSER ASSY, FAB. SOFT SUB |
| 15 | 22003285 | 10 | HOSE, TUB TO PUMP |
| 16 | 22003458 | 10 | BLOCK, TUB (ATL) |