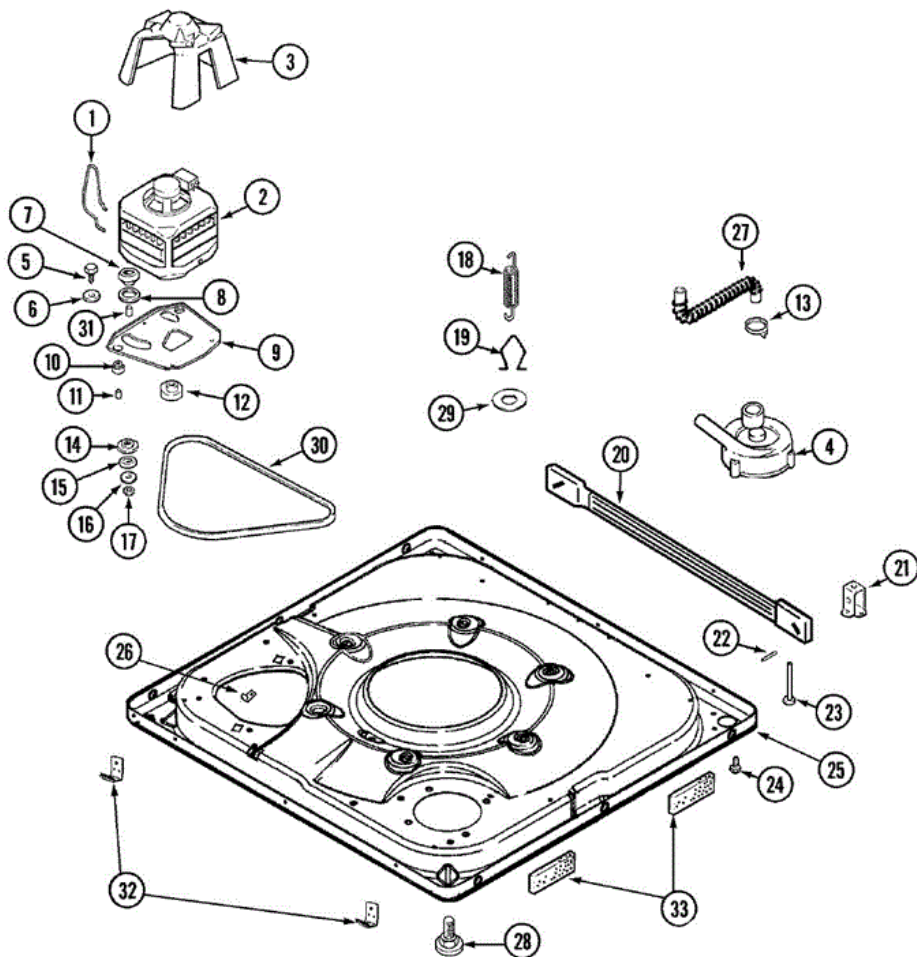


Distribuidor Autorizado

SurteRápido.com

Venta de Refacciones  
Electrodomesticas

MAV7358AWW BASE





## MAV7358AWW BASE

1	22004376	SERIES 10	SPRING, MOTOR PIVOT
2	21001516	SERIES 10	MOTOR & PULLEY ASSY.
3	22002019	SERIES 10	SCREW
3	22002721	SERIES 10	SHIELD, MOTOR
4	21001873	SERIES 10	PUMP
4	22004055	SERIES 10	SCREW HEX HD PUMP TO BASE
5	25-7833	SERIES 10	SCREW
6	25-7834	SERIES 10	WASHER
7	33-9946	SERIES 10	ISOLATOR, MOTOR
8	35-3570	SERIES 10	WASHER, MOTOR PIVOT
9	21001366	SERIES 10	PLATE, MOTOR
9	35-2065	SERIES 10	PAD, MOTOR PLATE
10	22004348	SERIES 10	SLIDE, MOTOR PIVOT
10	35-3646	SERIES 10	ISOLATOR, MOTOR PLATE
11	25-7831	SERIES 10	SPACER
12	21001506	SERIES 10	PULLEY, MOTOR-60 HZ
12	22004297	SERIES 21	PULLEY
13	22002853	SERIES 10	CLAMP, HOSE
14	35-3571	SERIES 10	SLIDE, MOTOR PIVOT
15	33-9967	SERIES 10	WASHER, MOTOR ISOLATOR
16	25-7047	SERIES 10	WASHER, FLAT
17	25-7325	SERIES 10	NUT, MOTOR PLATE ASY TO MOTOR
18	21001598	SERIES 10	SPRING, SUSPENSION
19	21001166	SERIES 10	HOOK, SUSPENSION SPRING
20	21001754	SERIES 10	BAR, STABILIZER
21	35-2046	SERIES 10	BRACKET, STABILIZER
23	35-3020	SERIES 10	FOOT PAD ASSY. (REAR)
24	33002190	SERIES 10	SCREW (NO.10-3/8``)
25	22003390	SERIES 10	BASE (AS PACKED)
25	22003511	SERIES 10	INSULATION
26	25-7845	SERIES 10	SPEEDNUT
27	22003285	SERIES 10	HOSE, TUB TO PUMP
28	35-3507	SERIES 10	FOOT & PAD ASSY

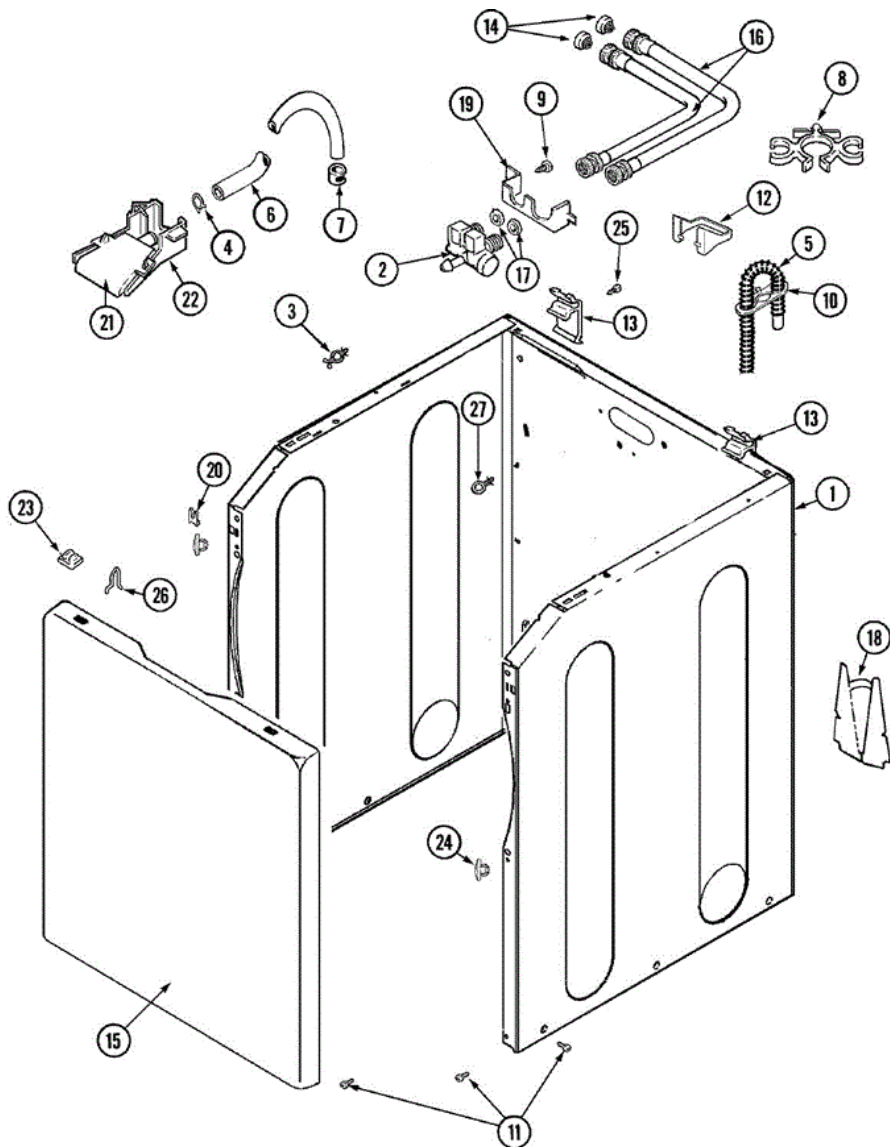
29	Y25-7951	SERIES 10	WASHER, SUSPENSION HOOK
30	22003483	SERIES 10	BELT, DRIVE
31	25-7830	SERIES 10	SPACER
32	22002239	SERIES 10	CLIP, LOWER FRONT PANEL
32	22002966	SERIES 10	U-NUTS, TINNERMAN (FRT PNL)
32	33002190	SERIES 10	SCREW (NO.10-3/8`)
33	22002782	SERIES 10	PAD, FOAM (SOUND DAMPENER)

Distribuidor Autorizado

**SurteRápido.com**

Venta de Refacciones  
Electrodomesticas

## MAV7358AWW GABINETE



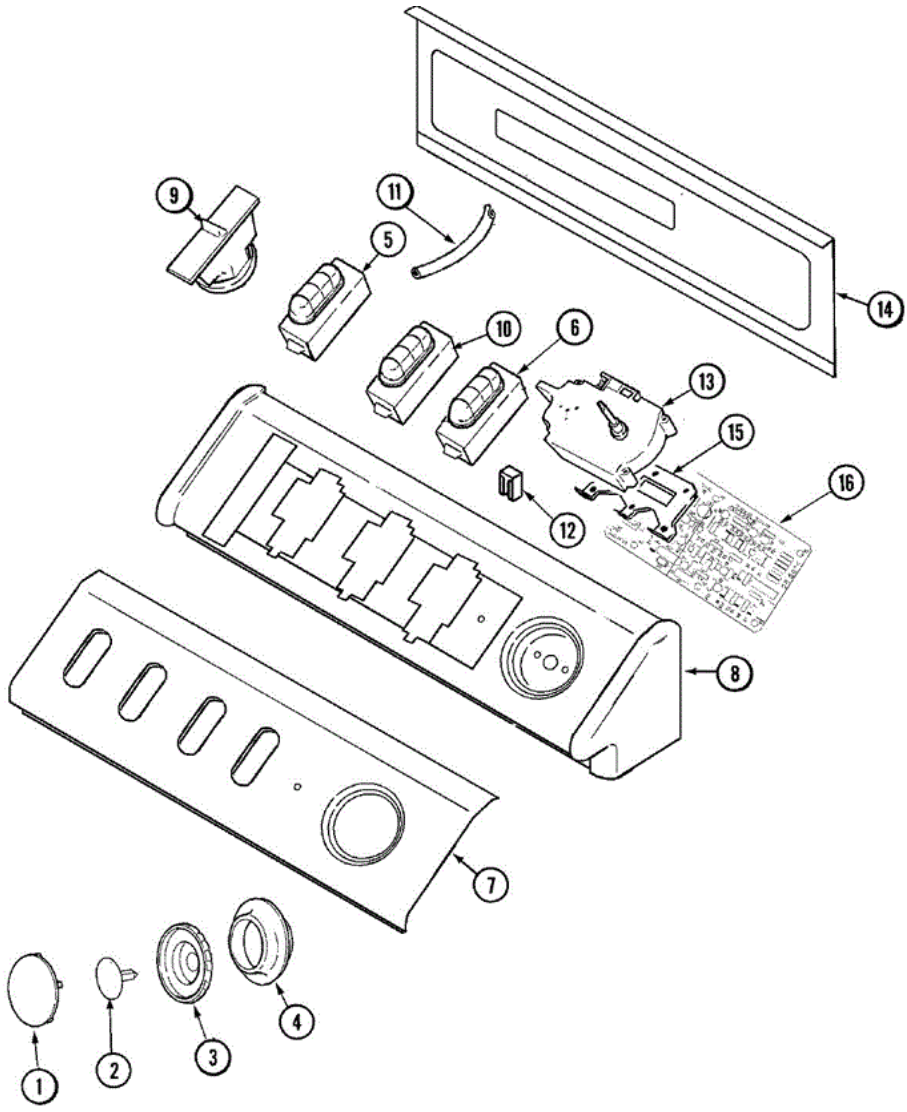


## MAV7358AWW GABINETE

1	22002839	SERIES 10	BRACE, CABINET (RT)
1	22002840	SERIES 10	BRACE, CABINET (LT)
1	22003553	SERIES 10	CABINET ASSY. (WHT-AS PKD)
1	33002190	SERIES 10	SCREW (NO.10-3/8``)
2	22003372	SERIES 10	VALVE, WATER W/THERMISTER
3	22002852	SERIES 10	RETAINER, WIRE
4	22002838	SERIES 10	CLAMP, SPRING
5	22003410	SERIES 10	HOSE, DRAIN
5	22003596	SERIES 10	CLAMP, HOSE
6	22002761	SERIES 10	HOSE, INJECTOR
7	216169	SERIES 10	CLAMP,HOSE-INJEC.HOSE TO VALVE
8	22002765	SERIES 10	CLIP, HOSE
9	33002190	SERIES 10	SCREW (NO.10-3/8``)
10	22002701	SERIES 10	RETAINER, DRAIN HOSE
11	22003409	SERIES 10	SCREW----NA
12	22003429	SERIES 10	RETAINER, FILL HOSE
13	22003367	SERIES 10	HINGE, PLASTIC
14	200961	SERIES 10	SCREEN WASHER, INLET HOSE
15	22002293	SERIES 10	INSULATION, CABINET
15	22002737	SERIES 10	PANEL, FRONT (WHT)
15	22002854	SERIES 10	PAD, SOUND BARRIER
15	33002190	SERIES 10	SCREW (NO.10-3/8``)
16	22002763	SERIES 10	INLET HOSE ASSY. (HOT)
16	22002764	SERIES 10	INLET HOSE ASSY. (COLD)
16	22002960	SERIES 10	STRAINER, WASHER INLET
17	Y013783	SERIES 10	GASKET, INLET HOSE
18	22002704	SERIES 10	COVER, DRAIN HOSE
18	33002190	SERIES 10	SCREW (NO.10-3/8``)
19	22003376	SERIES 10	BRACKET, WATER VALVE
20	22002748	SERIES 10	FRONT PANEL BRACKET
21	22003374	SERIES 10	UPPER WATER INJECTOR, FLUME
22	22003375	SERIES 10	LOWER WATER INJECTOR, FLUME
23	22002013	SERIES 10	STOP, SHIPPING

24	22002965	SERIES 10	HOLE PLUG
25	22001995	SERIES 10	SCREW
26	22003086	SERIES 10	CLIP, AIR DOME HOSE
26	25-7220	SERIES 10	CLIP, CABINET TOP

**MAV7358AWW TABLERO**



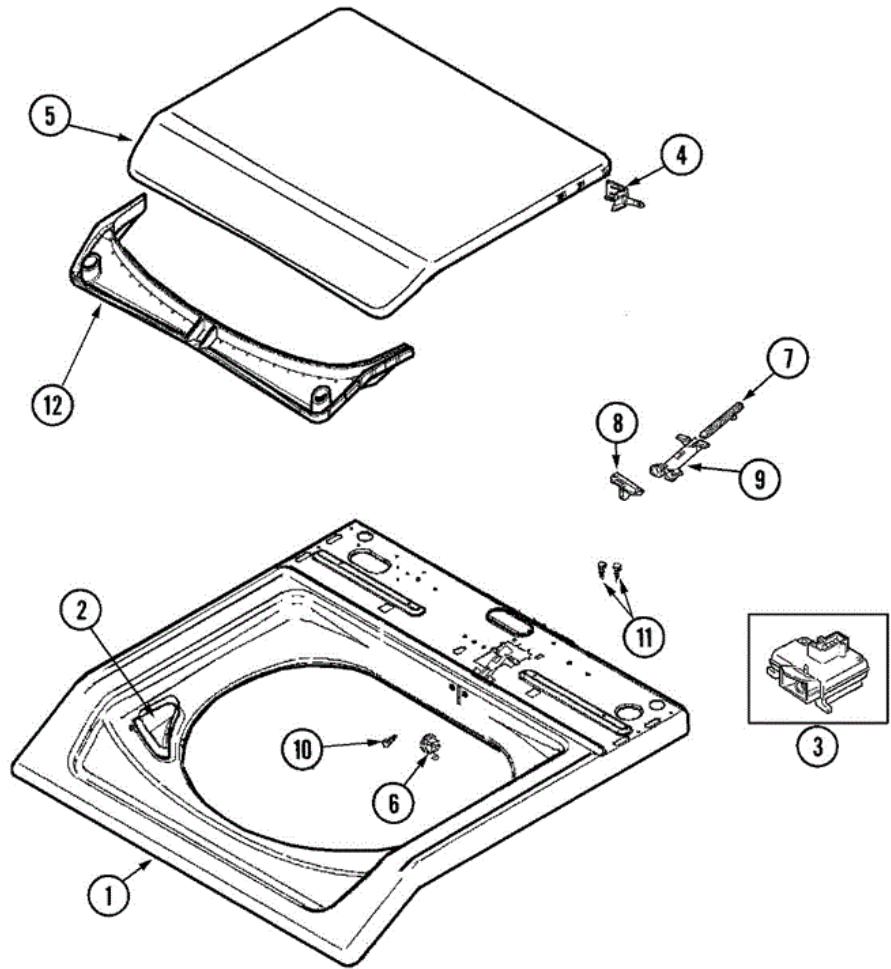


## MAV7358AWW TABLERO

1	22001664	SERIES 10	TIMER KNOB INSERT/CAP (WHT)
2	22002997	SERIES 10	PIN, LOCKING
3	22002996	SERIES 10	KNOB, TIMER (GRY)
4	22002995	SERIES 10	SKIRT, TIMER KNOB (WHT)
5	22002999	SERIES 10	SWITCH (4 BUTTON TEMP) (WHT)
6	22003859	SERIES 10	SWITCH, PUSH BUTTON / WHITE
7	22003867	SERIES 10	CONTROL PANEL, FACIA / WHITE
8	22002925	SERIES 10	SCREW
8	33002286	SERIES 10	CONSOLE (WHT)
9	22002705	SERIES 10	SWITCH, PRESSURE
9	22003461	SERIES 10	PAD, PRESSURE SWITCH
10	22002711	SERIES 10	SWITCH, 4 BUTTON OPTION / WHT
11	22003237	SERIES 10	AIR DOME HOSE
12	22001948	SERIES 10	LENS, INDICATOR LIGHT
12	903115	SERIES 10	LOCK LIGHT
13	22003561	SERIES 10	TIMER
14	22002529	SERIES 10	CONSOLE BACK PANEL
14	Y22002339	SERIES 10	SCREW
15	22003003	SERIES 10	BRACKET, ATC / TIMER
16	22003575	SERIES 10	BOARD, CONTROL



**MAV7358AWW TAPA**

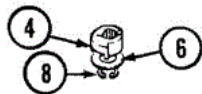
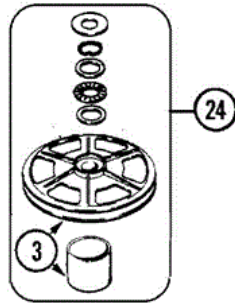
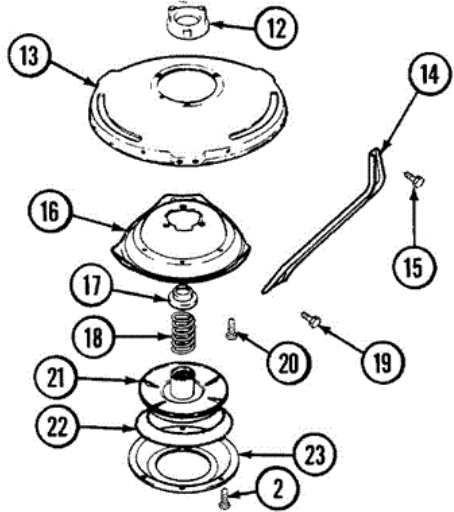
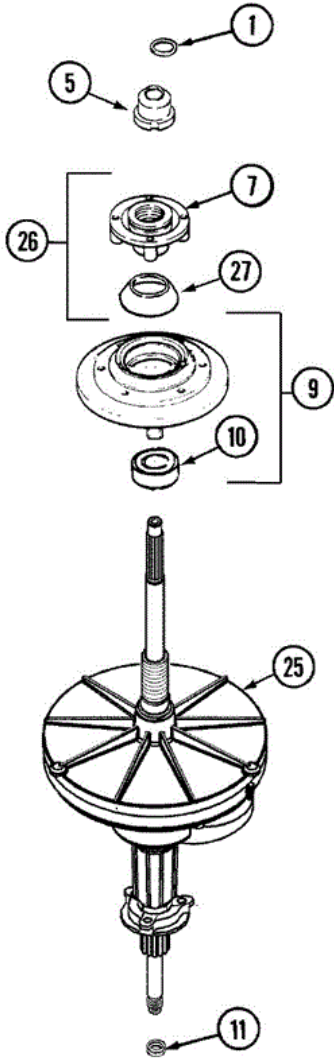




## MAV7358AWW TAPA

1	22003367	SERIES 10	HINGE, PLASTIC
1	22003468	SERIES 10	COVER, TOP (WHT-ASPKD)
2	22002802	SERIES 10	CUP, BLEACH (BSQ)
3	22003804	SERIES 10	LID SWITCH
4	22002751	SERIES 10	HINGE PIN (WHT)
5	22003411	SERIES 10	LID, WASHER (WHT-W/MED-ASPKD)
6	22002753	SERIES 10	BUSHING, HINGE
7	22002754	SERIES 10	PLUNGER
8	22002755	SERIES 10	CAM, LID (WHT)
9	22002757	SERIES 10	GUIDE TUBE
10	2016090	SERIES 10	SCREW, LID SWITCH TO BRACKET
11	Y705026	SERIES 10	SCREW
12	22002967	SERIES 10	CONDENSATE SEAL (WHT)

**MAV7358AWW TRANSMISION**

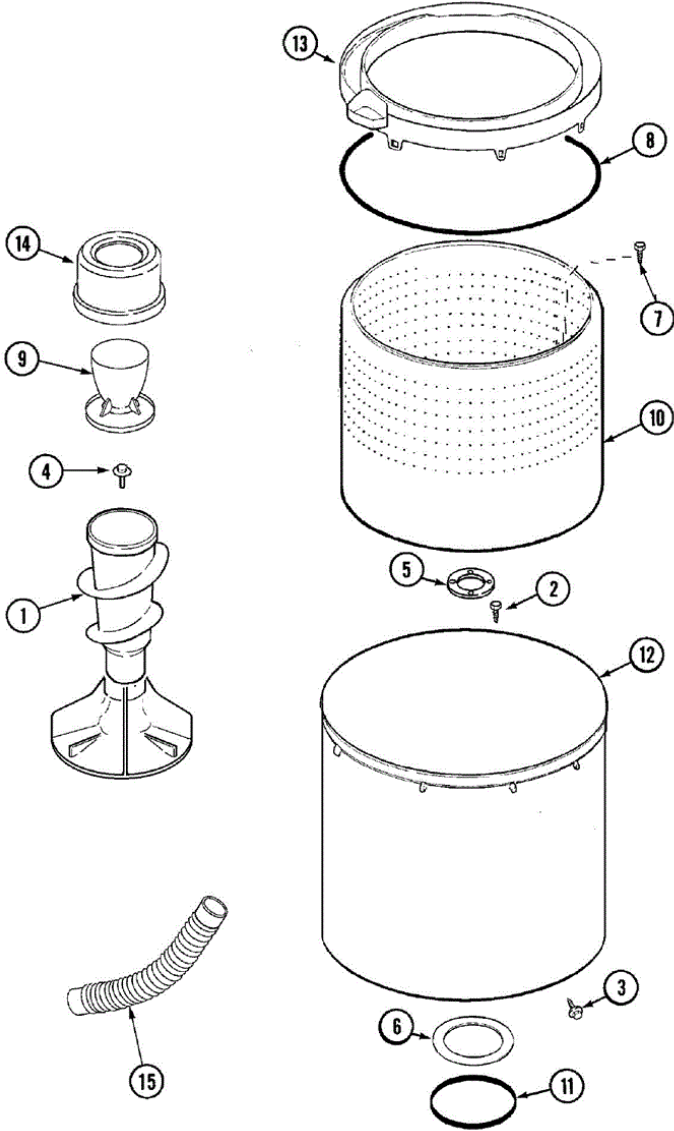




## MAV7358AWW TRANSMISION

1	25-7941	SERIES 10	``O`` RING
2	21001065	SERIES 10	SCREW,NO.10-24X.50 HXNIBHD
3	12001797	SERIES 10	KIT, PULLEY & DUST CAP
4	LA-2007	SERIES 10	CAM REPLACEMENT KIT
5	21001533	SERIES 10	SEAL NUT ASSEMBLY
6	35-2082	SERIES 10	WASHER,1.25ODX.530IDX.062
6	35-2132	SERIES 10	WASHER,1.25ODX.530IDX.032
7	21001515	SERIES 10	BASKET HUB ASSEMBLY
8	25-7854	SERIES 10	RING, RETAINING
9	12001598	SERIES 10	TUB SEAL ASSEMBLY
10	35-2205	SERIES 10	BEARING, SPIN
11	35-2010	SERIES 10	SEAL,TRANSMISSION HOUSING(LIP)
12	21001511	SERIES 10	HOUSING/LWR.BEARING ASSY.
12	35-2205	SERIES 10	BEARING, SPIN
13	21001518	SERIES 10	SUPPORT, TUB
14	21001532	SERIES 10	BRACE, TUB
15	25-7895	SERIES 10	SCREW, SUSP HSG TO LWR BRG ASY
16	21001163	SERIES 10	HOUSING, SUSPENSION
17	35-2017	SERIES 10	RETAINER, BRAKE SPRING
18	31001285	SERIES 10	SPRING, BRAKE
20	21001509	SERIES 10	SCREW,HIGH PERFORMANCE PLASTIC
21	35-2948	SERIES 10	BRAKE ROTOR & LINING ASSY
22	21001161	SERIES 10	SNUBBER
23	35-2018	SERIES 10	STATOR, BRAKE
24	12500036	SERIES 10	THRUST BEARING KIT
25	21001536	SERIES 10	TRANS. ASSY.(W/O SEAL/BEARING)
25	21001867	SERIES 11	HT TRANS/SEAL HUB ASSEMBLY
25	21001867	SERIES 15	HT TRANS/SEAL HUB ASSEMBLY
25	21001867	SERIES 16	HT TRANS/SEAL HUB ASSEMBLY
26	21001508	SERIES 10	HOUSING/BEARING ASSY.
26	21001868	SERIES 15	SEAL HUB ASSEMBLY (HT TRAN)
26	21001868	SERIES 16	SEAL HUB ASSEMBLY (HT TRAN)
27	35-2974	SERIES 10	TUB SEAL/HUB ASSY (HT TRANS)

**MAV7358AWW TINAS**





## MAV7358AWW TINAS

1	22003885	SERIES 10	AUGER/AGITATOR ASSY (AS PACK)
1	22004042	SERIES 12	AGITATOR/AUGER ASSY (AS PK)
2	21001510	SERIES 10	SCREW
3	22002933	SERIES 10	SCREW
4	25-7948	SERIES 10	SCREW, AGITATOR RETENTION
5	35-3685	SERIES 10	GASKET, BASKET TO CENTERPOST
6	35-3686	SERIES 10	GASKET, TUB TO HOUSING
7	25-7967	SERIES 10	SCREW, SHOULDER
8	35-2328	SERIES 10	SEAL, TUB TOP
9	22002769	SERIES 10	DISPENSER FABRIC SOFT.---SUB
10	22002741	SERIES 10	SPINNER ASSEMBLY, PLASTIC
11	35-2978	SERIES 10	SEAL, TUB/HOUSING
12	22002742	SERIES 10	TUB, OUTER
13	22002736	SERIES 10	TUB COVER ASSY. (TUB TOP)
14	21001599	SERIES 10	DISPENSER, FABRIC SOFTENER
15	22003285	SERIES 10	HOSE, TUB TO PUMP
16	22003458	SERIES 10	BLOCK, TUB (ATL)