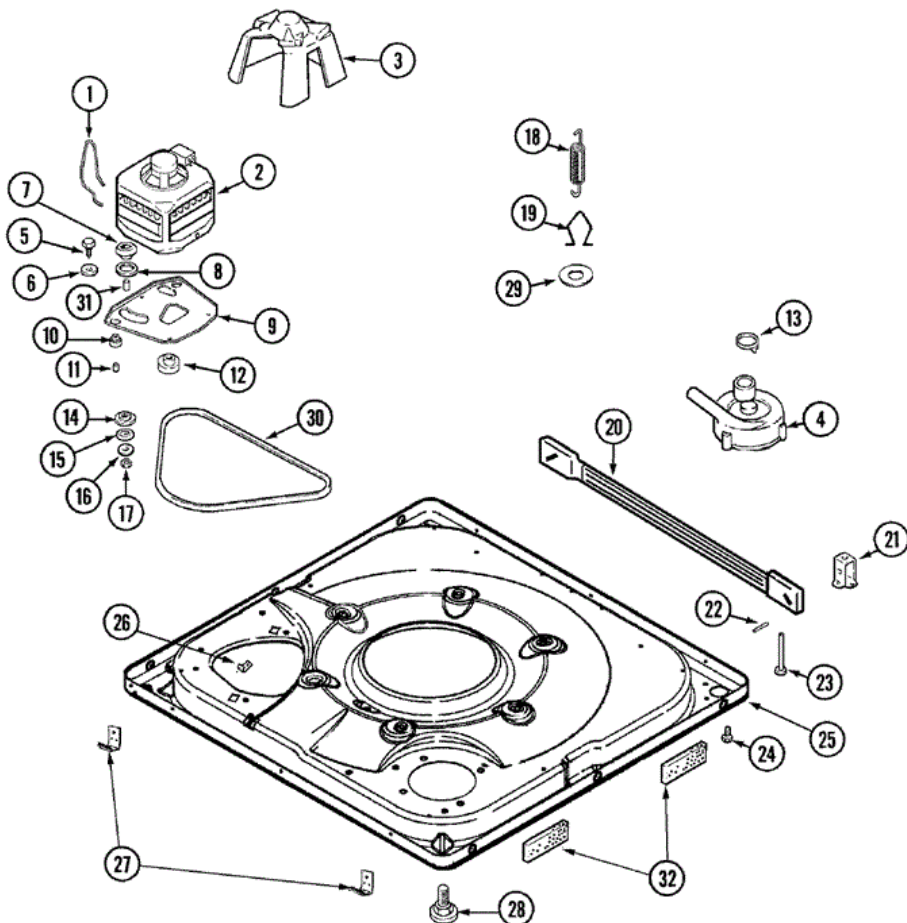


Distribuidor Autorizado

SurteRápido.com

Venta de Refacciones
Electrodomesticas

MAV7551AWQ BASE





MAV7551AWQ BASE

1	22004376	10	SPRING, MOTOR PIVOT
2	21001506	10	PULLEY, MOTOR-60 HZ
2	21001750	10	MOTOR (120V 60HZ 2SP)
2	22004297	21	PULLEY
3	22002019	10	SCREW
3	22002721	10	SHIELD, MOTOR
4	21001873	10	PUMP
4	22003438	10	SLEEVE, PUMP (ATL)
4	22004055	10	SCREW HEX HD PUMP TO BASE
5	25-7833	10	SCREW
6	25-7834	10	WASHER
7	33-9946	10	ISOLATOR, MOTOR
8	35-3570	10	WASHER, MOTOR PIVOT
9	21001366	10	PLATE, MOTOR
9	22003817	10	SCREW, SERRATED WASHER HEAD HX
9	35-2065	10	PAD, MOTOR PLATE
10	35-3571	10	SLIDE, MOTOR PIVOT
10	35-3646	10	ISOLATOR, MOTOR PLATE
10	22004348	23	SLIDE, MOTOR PIVOT
11	25-7831	10	SPACER
12	33-9946	10	ISOLATOR, MOTOR
13	22002853	10	CLAMP, HOSE
14	35-3571	10	SLIDE, MOTOR PIVOT
15	33-9967	10	WASHER, MOTOR ISOLATOR
16	25-7047	10	WASHER, FLAT
17	25-7325	10	NUT, MOTOR PLATE ASY TO MOTOR
18	21001598	10	SPRING, SUSPENSION
19	21001166	10	HOOK, SUSPENSION SPRING
20	21001754	10	BAR, STABILIZER
21	35-2046	10	BRACKET, STABILIZER
22	35-2052	10	PIN, STABILIZER
23	35-3020	10	FOOT PAD ASSY. (REAR)
24	33002190	10	SCREW (NO.10-3/8``)

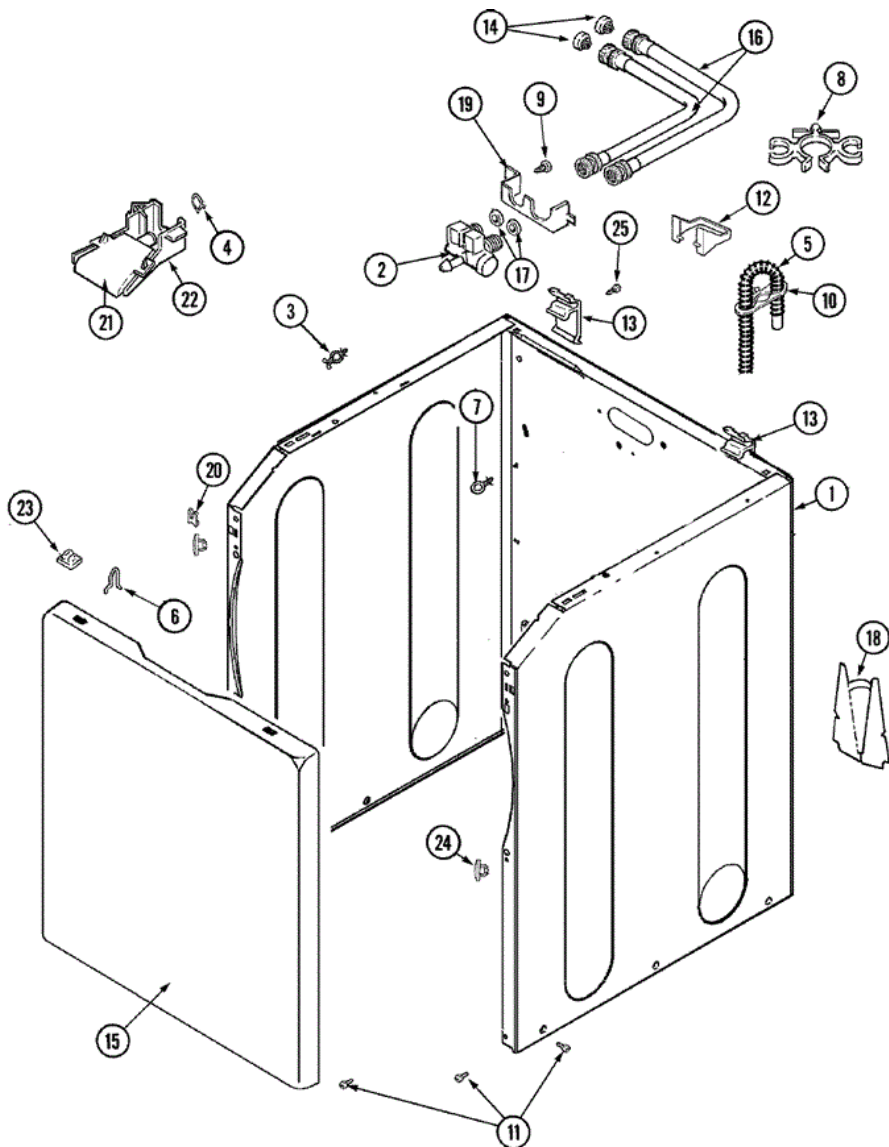
25	22003390	10	BASE (AS PACKED)
25	22003817	10	SCREW, SERRATED WASHER HEAD HX
26	25-7845	10	SPEEDNUT
27	22002239	10	CLIP, LOWER FRONT PANEL
27	22004045	10	CLIP, LOWER FRONT PANEL
27	33002190	10	SCREW (NO.10-3/8``)
28	35-3507	10	FOOT & PAD ASSY
29	Y25-7951	10	WASHER, SUSPENSION HOOK
30	22003483	10	BELT, DRIVE
31	25-7830	10	SPACER
32	22002782	10	PAD, FOAM (SOUND DAMPENER)

Distribuidor Autorizado

SurteRápido.com

Venta de Refacciones
Electrodomesticas

MAV7551AWQ GABINETE



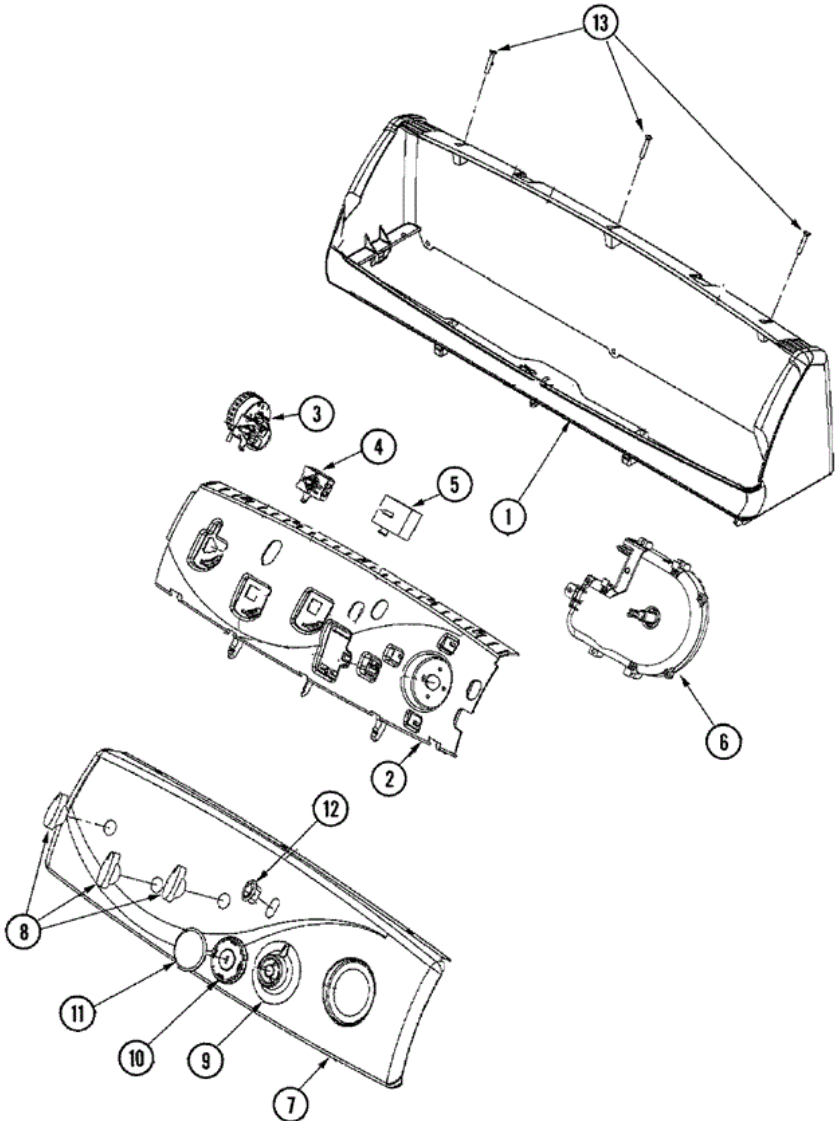


MAV7551AWQ GABINETE

1	22002839	10	BRACE, CABINET (RT)
1	22002840	10	BRACE, CABINET (LT)
1	22003554	10	CABINET ASSY. (BSQ-AS PKD)
1	33002190	10	SCREW (NO.10-3/8``)
2	22003384	10	VALVE, WATER
2	22004191	19	VALVE, WATER----NA
3	22002852	10	RETAINER, WIRE
4	22002838	10	CLAMP, SPRING
5	12001586	10	ANTI-SIPHON ACCESSORY
5	22003410	10	HOSE, DRAIN
5	22003596	10	CLAMP, HOSE
6	25-7220	10	CLIP, CABINET TOP
7	22003086	10	CLIP, AIR DOME HOSE
8	22002765	10	CLIP, HOSE
9	22003735	10	SCREW, NO.10-16X1/2 AB TRUSS
10	22003814	10	RETAINER, DRAIN HOSE
11	22003409	10	SCREW----NA
12	22003429	10	RETAINER, FILL HOSE
13	22003367	10	HINGE, PLASTIC
14	200961	10	SCREEN WASHER, INLET HOSE
15	22003511	10	INSULATION
15	Y22002738	10	PANEL, FRONT (BSQ)
16	33-7891	10	HOSE, 4' INLET
16	35-3401	10	HOSE, INLET (HOT)
17	Y013783	10	GASKET, INLET HOSE
18	22002704	10	COVER, DRAIN HOSE
18	33002190	10	SCREW (NO.10-3/8``)
19	22003376	10	BRACKET, WATER VALVE
20	22002748	10	FRONT PANEL BRACKET
21	22003995	10	UPPER INJECTOR ASM W/THERMOST
22	22004053	10	LOWER INJECTOR, FLUME
23	22002013	10	STOP, SHIPPING
24	22002965	10	HOLE PLUG

25	22001995	10	SCREW
26	Y013783	10	GASKET, INLET HOSE
27	22002960	10	STRAINER, WASHER INLET
28	33001245	10	SCREW----NA
28	33002388	10	WASHER (HDWR PKG)
30	35-2890	10	CABLE TIE

MAV7551AWQ TABLERO

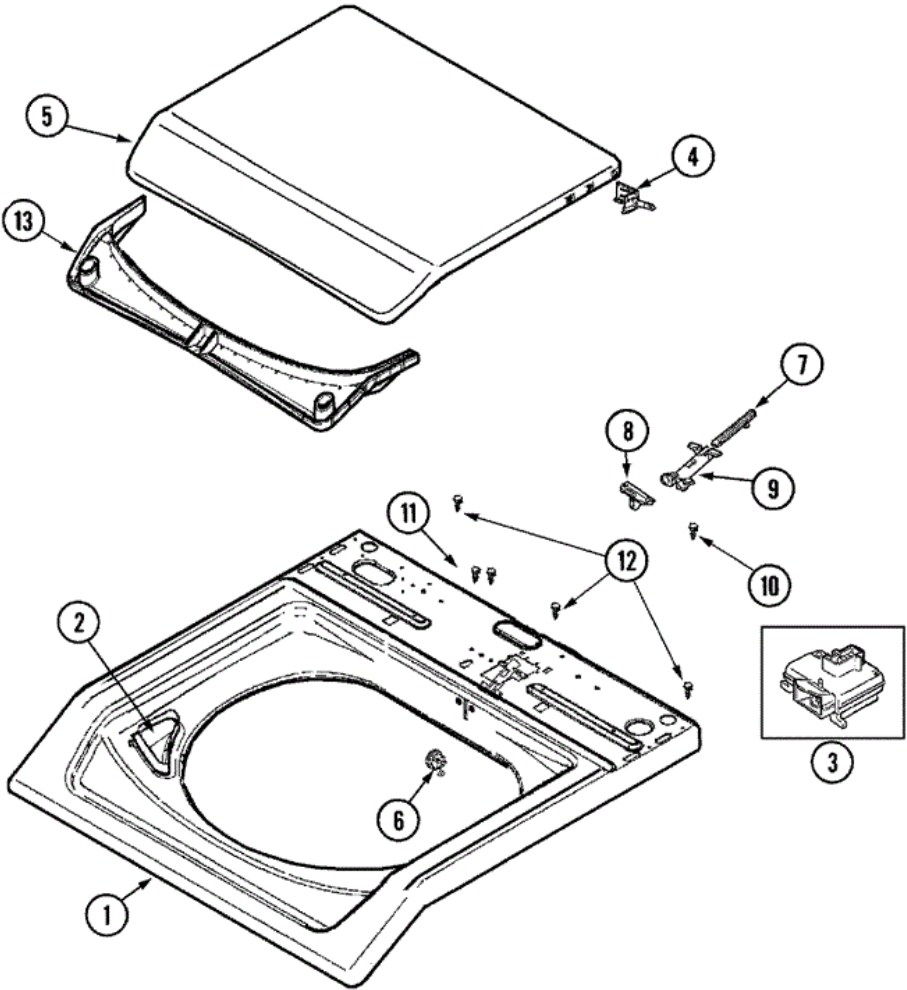




MAV7551AWQ TABLERO

1	22003975	10	CONSOLE HOUSING (BSQ)
2	22003955	10	SWITCH SUPPORT
3	22003963	10	5 POSITION PRESSURE SWITCH
3	22004196	21	PRESSURE SWITCHC, 5 POSITION
4	22004011	10	5 POS. ATC ROTARY TEMP. SWITCH
5	22004004	10	5 POSITION ROTARY SPEED SWITCH
6	22004008	10	TIMER
6	33002917	10	SCREW, NO.10-16
6	22004312	21	TIMER
6	22004312	26	TIMER
7	22003968	10	FACIA, CONTROL PANEL
8	22003988	10	CONTROL KNOB (SS)
8	22004050	10	ENG. TOL. COMPENSATOR (SPACER)
9	22003954	10	TIMER DIAL SKIRT (BSQ)
10	22003952	10	KNOB, TIMER (CMPG)
11	22003990	10	TIMER CAP (SS)
12	22003978	10	SWITCH, ROCKER (BSQ)

MAV7551AWQ TAPA

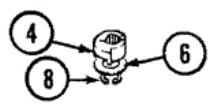
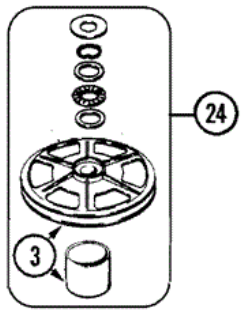
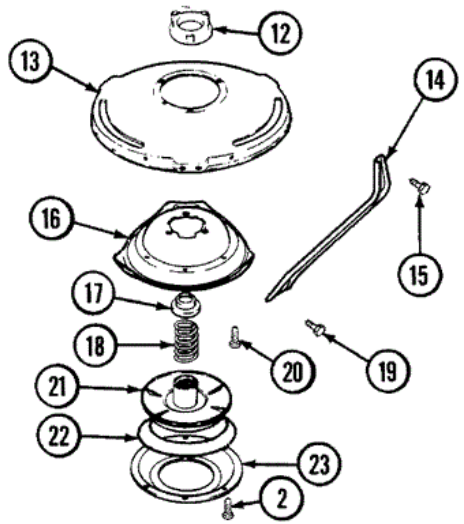
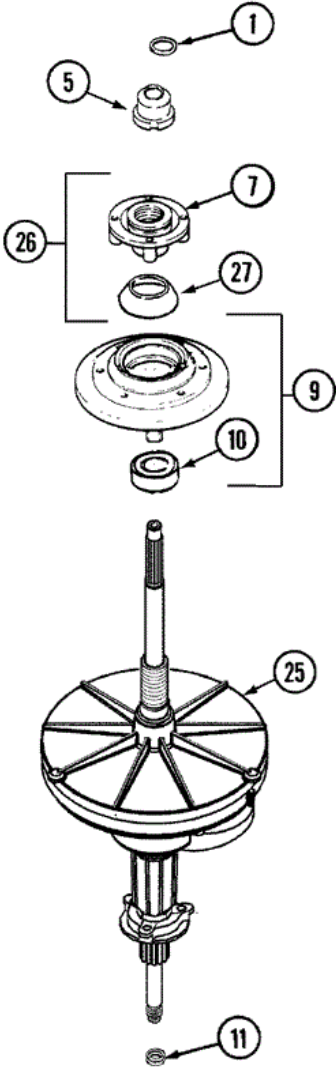




MAV7551AWQ TAPA

1	22003469	10	COVER, TOP (BSQ-ASPKD)
2	22002802	10	CUP, BLEACH (BSQ)
2	22004381	24	BLEACH CUP (WHT)
2	22004382	24	BLEACH CUP (BSQ)
3	22003804	10	LID SWITCH
4	22002752	10	HINGE PIN (BSQ)
5	22004064	10	LID AS PACK PHASE III (BSQ)
6	22002753	10	BUSHING, HINGE
7	22002754	10	PLUNGER
8	22003942	10	LID CAM (BISQUE)
9	22002757	10	GUIDE TUBE
10	2016090	10	SCREW, LID SWITCH TO BRACKET
11	22003217	10	SCREW, BRACKET TO CABINET
12	Y22002339	10	SCREW
13	22002766	10	CONDENSATE SEAL (BSQ)

MAV7551AWQ TRANSMISION

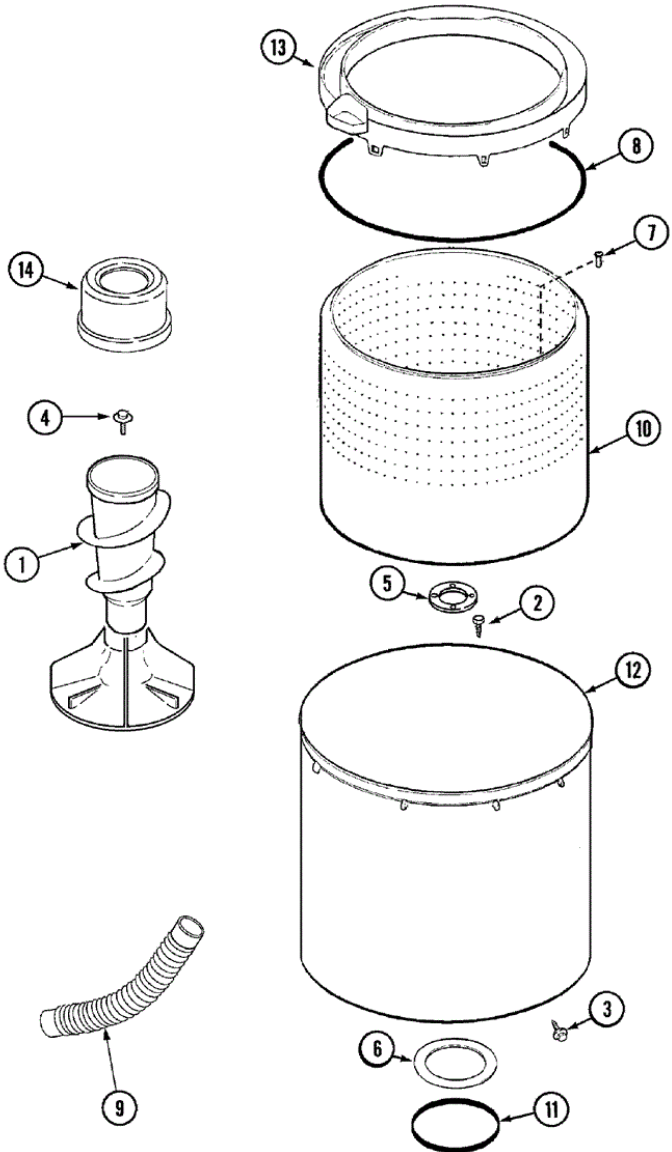




MAV7551AWQ TRANSMISION

1	25-7941	10	``O`` RING
2	21001065	10	SCREW,NO.10-24X.50 HXNIBHD
3	12001797	10	KIT, PULLEY & DUST CAP
4	LA-2007	10	CAM REPLACEMENT KIT
5	21001533	10	SEAL NUT ASSEMBLY
6	35-2082	10	WASHER,1.25ODX.530IDX.062
6	35-2132	10	WASHER,1.25ODX.530IDX.032
7	21001515	10	BASKET HUB ASSEMBLY
8	25-7854	10	RING, RETAINING
9	12001598	10	TUB SEAL ASSEMBLY
10	35-2205	10	BEARING, SPIN
11	35-2010	10	SEAL,TRANSMISSION HOUSING(LIP)
12	21001511	10	HOUSING/LWR.BEARING ASSY.
12	35-2205	10	BEARING, SPIN
13	21001518	10	SUPPORT, TUB
14	21001532	10	BRACE, TUB
15	25-7895	10	SCREW, SUSP HSG TO LWR BRG ASY
16	21001163	10	HOUSING, SUSPENSION
17	35-2017	10	RETAINER, BRAKE SPRING
18	31001285	10	SPRING, BRAKE
19	25-7930	10	SCREW 5/16-18X3/4
20	21001509	10	SCREW,HIGH PERFORMANCE PLASTIC
21	35-2948	10	BRAKE ROTOR & LINING ASSY
22	21001161	10	SNUBBER
23	35-2018	10	STATOR, BRAKE
24	12500036	10	THRUST BEARING KIT
25	21001867	10	HT TRANS/SEAL HUB ASSEMBLY
26	21001508	10	HOUSING/BEARING ASSY.
26	21001868	10	SEAL HUB ASSEMBLY (HT TRAN)
27	35-2974	10	TUB SEAL/HUB ASSY (HT TRANS)

MAV7551AWQ TINAS





MAV7551AWQ TINAS

1	22004043	10	AGITATOR/AUGER ASSY (AS PK)
2	21001510	10	SCREW
3	22002933	10	SCREW
4	25-7948	10	SCREW, AGITATOR RETENTION
5	22003434	10	GASKET, HUB/BOTTOM ISOLATOR
6	35-3686	10	GASKET, TUB TO HOUSING
7	22003647	10	BOLT, SHOULDER,THREAD CUTTING
8	35-2328	10	SEAL, TUB TOP
9	22003285	10	HOSE, TUB TO PUMP
10	22002741	10	SPINNER ASSEMBLY, PLASTIC
10	22003430	10	WASHER, NYLON
10	22003647	10	BOLT, SHOULDER,THREAD CUTTING
11	35-3685	10	GASKET, BASKET TO CENTERPOST
12	22002742	10	TUB, OUTER
12	22003237	10	AIR DOME HOSE
13	22002736	10	TUB COVER ASSY. (TUB TOP)
13	12002452	24	TUB COVER/BLEACH CUP KIT
14	22003985	10	SOFTENER DISPENSER ASSEMBLY
15	22003458	10	BLOCK, TUB (ATL)