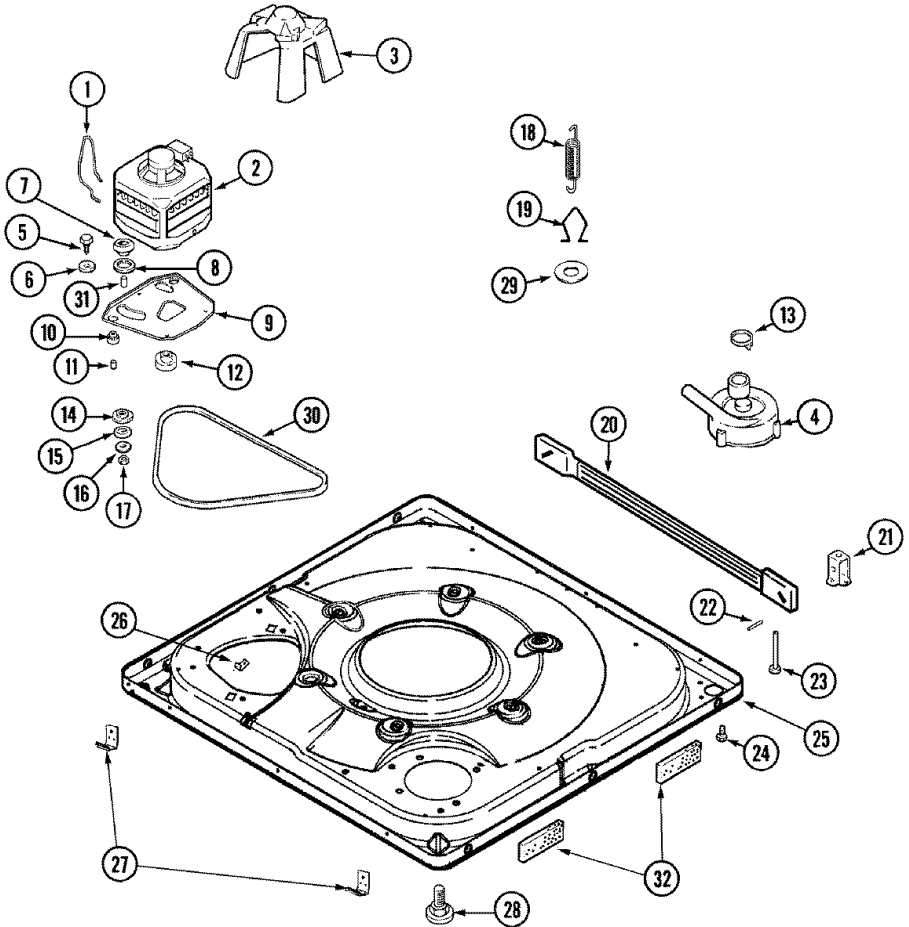


Distribuidor Autorizado

SurteRápido.com

Venta de Refacciones
Electrodomesticas

MAV7551AWW BASE





MAV7551AWW BASE

| | | |
|----|----------|--------------------------------------|
| 1 | 22004376 | SPRING, MOTOR PIVOT |
| 2 | 21001950 | PULLEY, MOTOR-60 HZ |
| 2 | 21001950 | MOTOR (120V 60HZ 2SP) |
| 3 | 22002721 | SHIELD, MOTOR (S/P) |
| 3 | 22002019 | SCREW (S/P) |
| 4 | 22004055 | SCREW HEX HD PUMP TO BASE (S/P) |
| 4 | 22003438 | SLEEVE, PUMP (ATL) (S/P) |
| 4 | 21002240 | PUMP |
| 5 | 25-7833 | SCREW (S/P) |
| 6 | 25-7834 | WASHER (S/P) |
| 7 | 33-9946 | ISOLATOR, MOTOR (S/P) |
| 8 | 35-3570 | WASHER, MOTOR PIVOT (S/P) |
| 9 | 35-2065 | PAD, MOTOR PLATE (S/P) |
| 9 | 22003817 | SCREW, SERRATED WASHER HEAD HX (S/P) |
| 9 | 21001783 | PLATE, MOTOR |
| 10 | 35-3646 | ISOLATOR, MOTOR PLATE (S/P) |
| 10 | 22004348 | SLIDE, MOTOR PIVOT (S/P) |
| 10 | 35-3571 | SLIDE, MOTOR PIVOT (S/P) |
| 11 | 25-7831 | SPACER (S/P) |
| 12 | 33-9946 | ISOLATOR, MOTOR (S/P) |
| 13 | 22002853 | CLAMP, HOSE (S/P) |
| 14 | 35-3571 | SLIDE, MOTOR PIVOT (S/P) |
| 15 | 33-9967 | WASHER, MOTOR ISOLATOR (S/P) |
| 16 | 25-7047 | WASHER, FLAT (S/P) |
| 17 | 21002009 | NUT, MOTOR PLATE ASY TO MOTOR (S/P) |
| 18 | 21001598 | SPRING, SUSPENSION |
| 19 | 21001166 | HOOK, SUSPENSION SPRING |
| 20 | 21001881 | BAR, STABILIZER |
| 21 | 35-2046 | BRACKET, STABILIZER |
| 22 | 35-2052 | PIN, STABILIZER (S/P) |
| 23 | 22004469 | FOOT PAD ASSY. (REAR) |
| 24 | 33002190 | SCREW (No.10-3/8``) (S/P) |
| 25 | 22003817 | SCREW, SERRATED WASHER HEAD HX (S/P) |
| 25 | 22003390 | BASE (AS PACKED) (S/P) |
| 26 | 25-7845 | SPEEDNUT (S/P) |

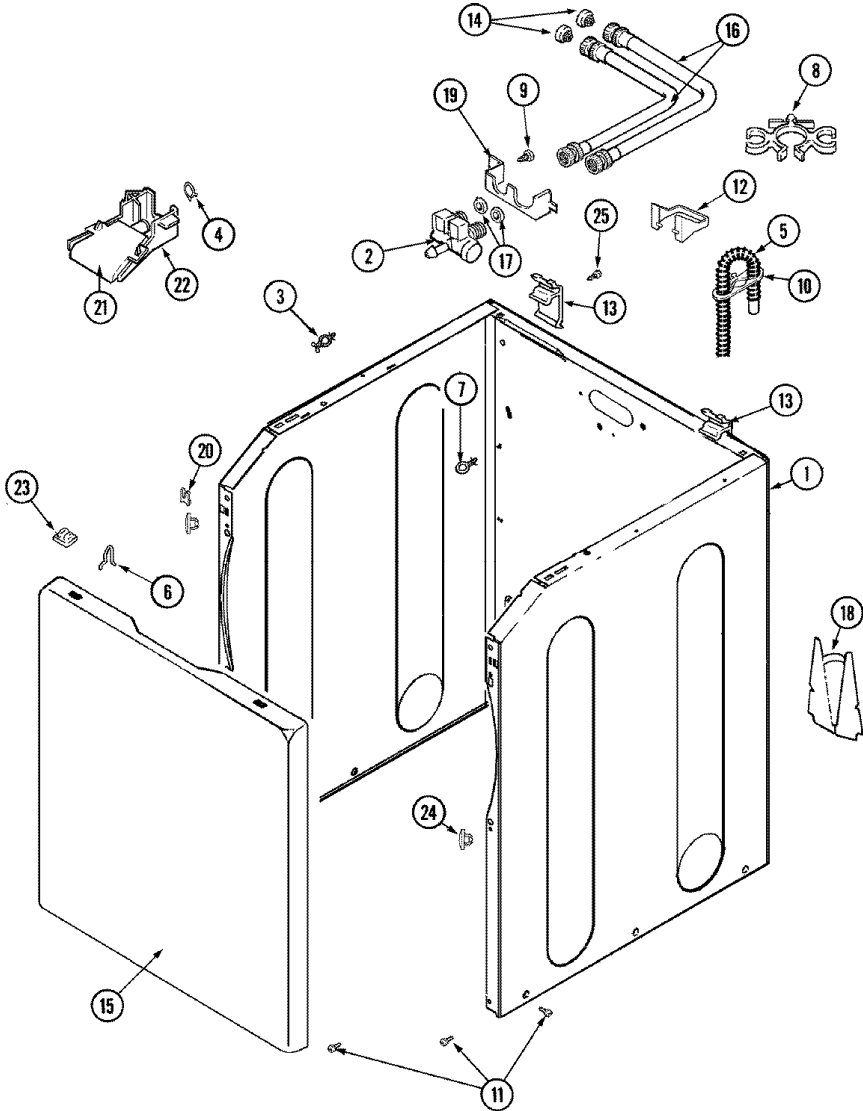
| | | |
|----|----------|----------------------------------|
| 27 | 22002239 | CLIP, LOWER FRONT PANEL (S/P) |
| 27 | 22004045 | CLIP, LOWER FRONT PANEL (S/P) |
| 27 | 33002190 | SCREW (No.10-3/8``) (S/P) |
| 28 | 25001119 | FOOT & PAD ASSY (S/P) |
| 29 | Y25-7951 | WASHER, SUSPENSION HOOK (S/P) |
| 30 | 22003483 | BELT, DRIVE |
| 31 | 25-7830 | SPACER |
| 32 | 22002782 | PAD, FOAM (SOUND DAMPENER) (S/P) |

Distribuidor Autorizado

SurteRápido.com

Venta de Refacciones
Electrodomesticas

MAV751AWW GABINETE



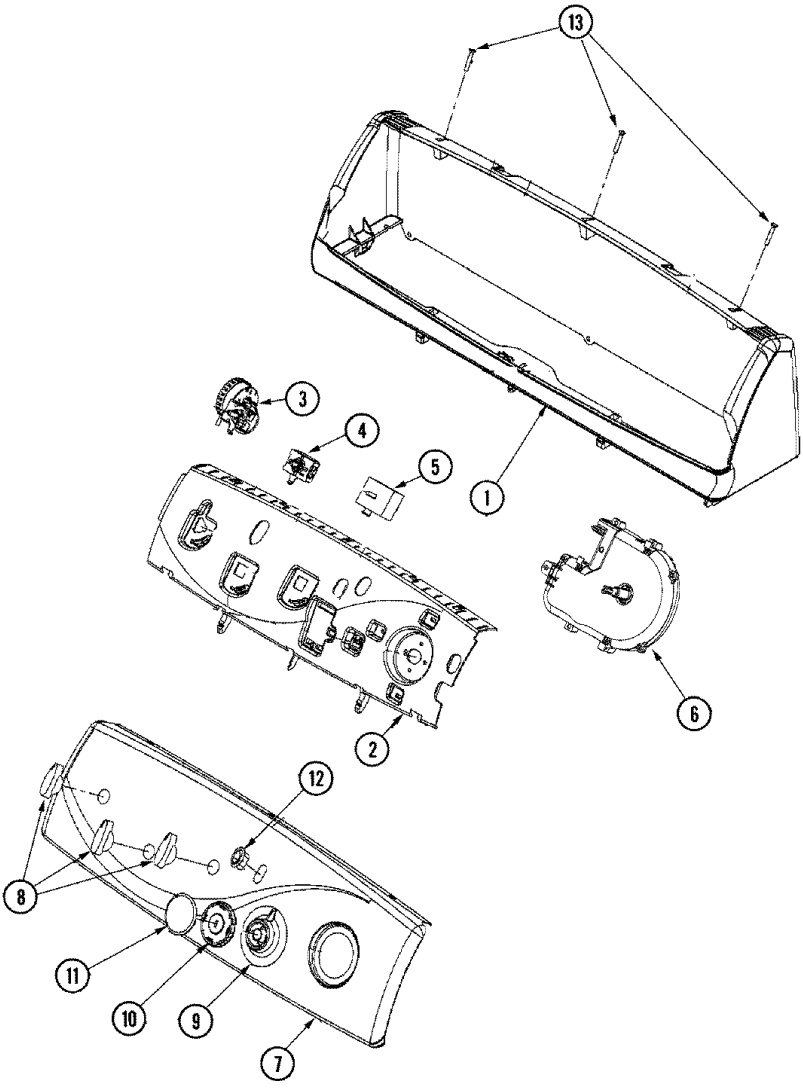


MAV7551AWW GABINETE

| | | |
|----|----------|-------------------------------------|
| 1 | 33002190 | SCREW (No.10-3/8``) (S/P) |
| 1 | 22002840 | BRACE, CABINET (LT) (S/P) |
| 1 | 22002839 | BRACE, CABINET (RT) (S/P) |
| 1 | 22003553 | CABINET ASSY. (WHT-AS PKD) (S/P) |
| 2 | 22004333 | VALVE, WATER |
| 2 | 22003384 | VALVE, WATER (S/P) |
| 3 | 22003298 | RETAINER, WIRE (S/P) |
| 4 | 285655 | CLAMP, SPRING (S/P) |
| 5 | 22003596 | CLAMP, HOSE (S/P) |
| 5 | 22003410 | HOSE, DRAINN |
| 5 | 76660 | ANTI-SIPHON ACCESSORY (S/P) |
| 6 | 25-7220 | CLIP, CABINET TOP (S/P) |
| 7 | 22003086 | CLIP, AIR DOME HOSE (S/P) |
| 8 | 22002765 | CLIP, HOSE (S/P) |
| 9 | 22003735 | SCREW, No.10-16X1/2 AB TRUSS (S/P) |
| 10 | 22003814 | RETAINER, DRAIN HOSE (S/P) |
| 11 | 22003409 | SCREW----NA (S/P) |
| 12 | 22003429 | RETAINER, FILL HOSE (S/P) |
| 13 | 22004095 | HINGE, PLASTIC (S/P) |
| 14 | 12001413 | SCREEN WASHER, INLET HOSE (S/P) |
| 15 | 22003511 | INSULATION (S/P) |
| 15 | 22002737 | PANEL, FRONT (WHT) (S/P) |
| 16 | 35-3401 | HOSE, INLET (HOT) (S/P) |
| 16 | 89503 | HOSE, 4' INLET |
| 17 | Y013783 | GASKET, INLET HOSE (S/P) |
| 18 | 33002190 | SCREW (No.10-3/8``) (S/P) |
| 18 | 22002704 | COVER, DRAIN HOSE (S/P) |
| 19 | 22003376 | BRACKET, WATER VALVE (S/P) |
| 20 | 22002748 | FRONT PANEL BRACKET (S/P) |
| 21 | 22003995 | UPPER INJECTOR ASM W/THERMOST (S/P) |
| 22 | 22004053 | LOWER INJECTOR, FLUME (S/P) |
| 23 | 22002013 | STOP, SHIPPING (S/P) |
| 24 | 22002965 | HOLE PLUG (S/P) |
| 25 | 22001995 | SCREW (S/P) |
| 26 | Y013783 | GASKET, INLET HOSE (S/P) |

| | | |
|----|----------|------------------------------|
| 27 | 22002960 | STRAINER, WASHER INLET (S/P) |
| 28 | 33001245 | SCREW----NA (S/P) |
| 28 | 33002388 | WASHER (HDWR PKG) (S/P) |
| 30 | 35-2890 | CABLE TIE (S/P) |

MAV7551AWW TABLERO

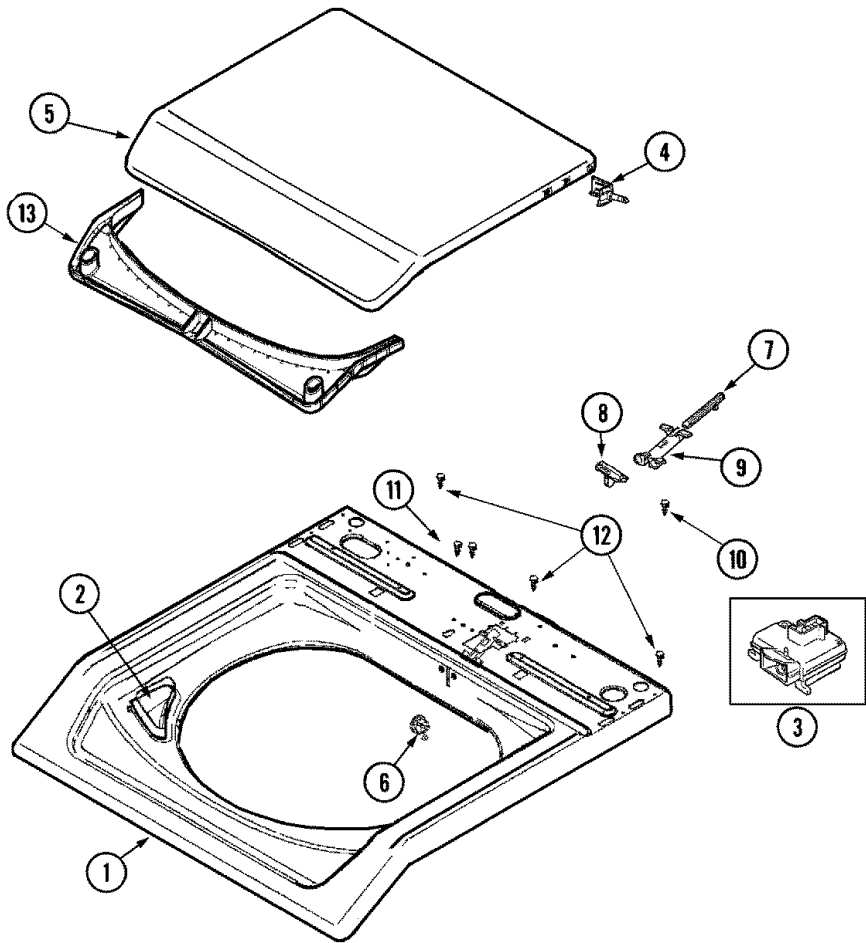




MAV7551AWW TABLERO

| | | |
|----|----------|---|
| 1 | 22003960 | CONSOLE HOUSING (WHT) (S/P) |
| 2 | 22003955 | SWITCH SUPPORT (S/P) |
| 3 | 22004196 | PRESSURE SWITHC, 5 POSITION (S/P) |
| 3 | 22003963 | 5 POSITION PRESSURE SWITCH (S/P) |
| 4 | 22004011 | 5 POS. ATC ROTARY TEMP. SWITCH (S/P) |
| 5 | 22004004 | 5 POSITION ROTARY SPEED SWITCH (S/P) |
| 6 | 22004312 | TIMER |
| 6 | 33002917 | SCREW, No.10-16 (S/P) |
| 6 | 22004312 | TIMER |
| 7 | 22003967 | FACIA, CONTROL PANEL (S/P) |
| 8 | 22003987 | CONTROL KNOB (CHROME) WHT (S/P) |
| 8 | 22004050 | ENG. TOL. COMPENSATOR DESCONTINUADO |
| 9 | 22004165 | TIMER DIAL SKIRT (WHT) |
| 10 | 22003993 | TIMER KNOB (BLUE) (WHT) |
| 11 | 22003989 | TIMER CAP (CHROME) WHT |
| 12 | 22003977 | SWITCH, ROCKER (WHT) |

MAV7551AWW TAPA

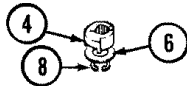
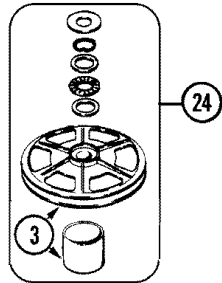
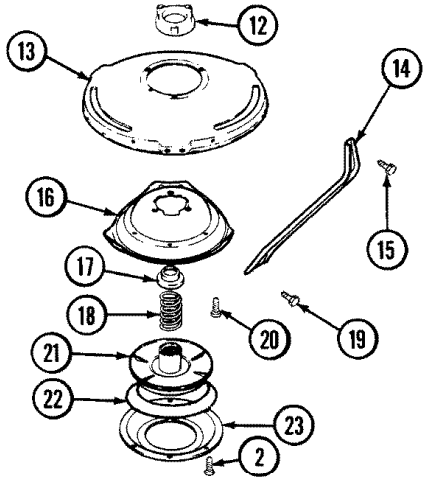
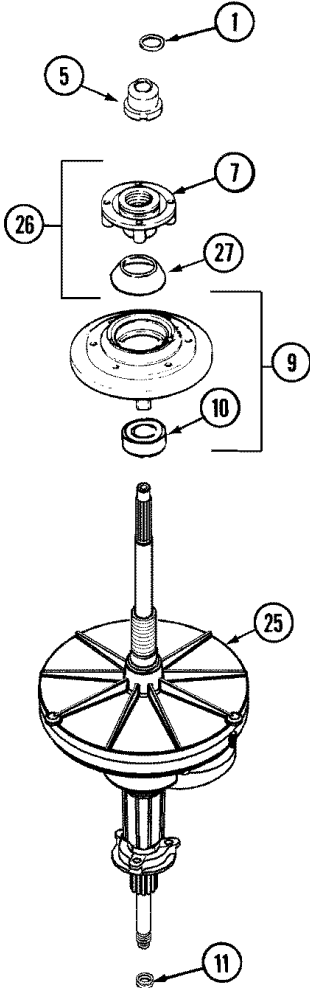




MAV7551AWW TAPA

| | | |
|----|-----------|------------------------------------|
| 1 | 22003468 | COVER, TOP (WHT-ASPKD) (S/P) |
| 2 | 22004382 | BLEACH CUP (BSQ) (S/P) |
| 2 | 22002835 | CUP, BLEACH (WHT) (S/P) |
| 2 | 22004381 | BLEACH CUP (WHT) (S/P) |
| 3 | 12001908 | LID SWITCH |
| 4 | 22002751 | HINGE PIN (WHT) (S/P) |
| 5 | 22004063 | LID AS PACK PHASE III (WHT) (S/P) |
| 6 | 22002753 | BUSHING, HINGE (S/P) |
| 7 | 22002754 | PLUNGER (S/P) |
| 8 | 22003941 | LID CAM (WHITE) |
| 9 | 22002757 | GUIDE TUBE (S/P) |
| 10 | 2016090 | SCREW, LID SWITCH TO BRACKET (S/P) |
| 11 | 22003217 | SCREW, BRACKET TO CABINET (S/P) |
| 12 | Y22002339 | SCREW (S/P) |
| 13 | 22002967 | CONDENSATE SEAL (WHT) (S/P) |

MAV751AWW TRANSMISION

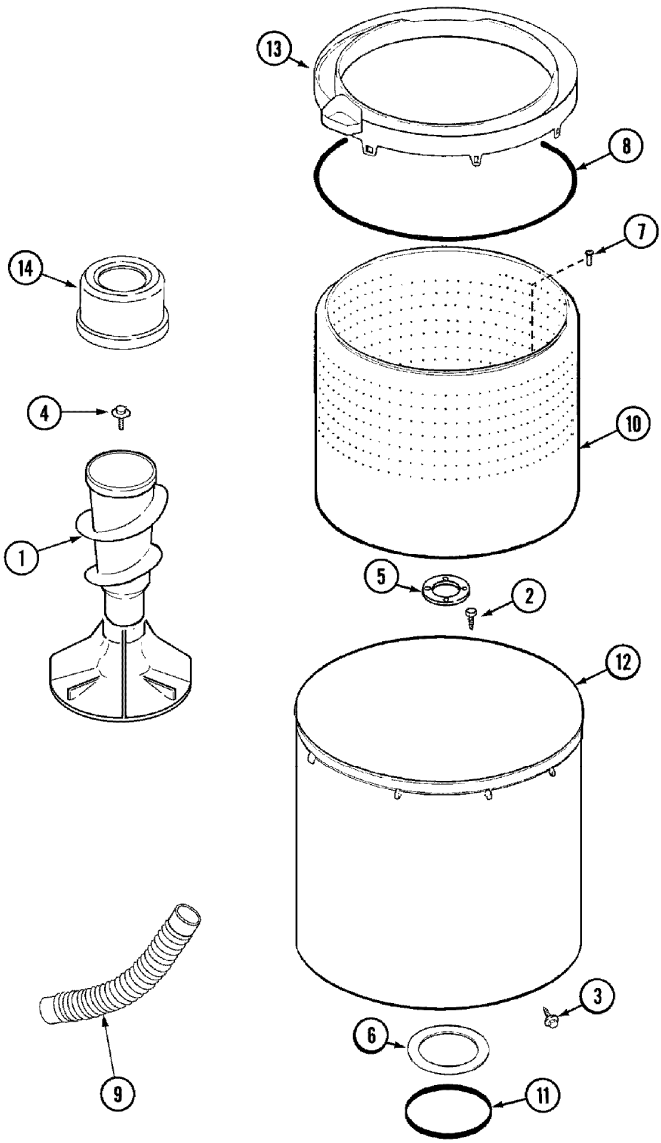




MAV7551AWW TRANSMISION

| | | |
|----|----------|--|
| 1 | 25-7941 | ``O`` RING (S/P) |
| 2 | 21001065 | SCREW, No.10-24X.50 HXNIBHD (S/P) |
| 3 | 12002213 | KIT, PULLEY & DUST CAP |
| 4 | 12002213 | CAM REPLACEMENT KIT |
| 5 | 21001533 | SEAL NUT ASSEMBLY |
| 6 | 35-2132 | WASHER, 1.25ODX.530IDX.032 (S/P) |
| 6 | 35-2082 | WASHER, 1.25ODX.530IDX.062 |
| 7 | 21002237 | BASKET HUB ASSEMBLY |
| 8 | 25-7854 | RING, RETAINING |
| 9 | 21002237 | TUB SEAL ASSEMBLY |
| 10 | 35-2205 | BEARING, SPIN (S/P) |
| 11 | 207843 | SEAL, TRANSMISSION HOUSING(LIP) |
| 12 | 12001562 | HOUSING/LWR.BEARING ASSY. |
| 12 | 35-2205 | BEARING, SPIN (S/P) |
| 13 | 21001518 | SUPPORT, TUB (S/P) |
| 14 | 21001532 | BRACE, TUB (S/P) |
| 15 | 25-7895 | SCREW, SUSP HSG TO LWR BRG ASY (S/P) |
| 16 | 21001163 | HOUSING, SUSPENSION (S/P) |
| 17 | 35-2017 | RETAINER, BRAKE SPRING |
| 18 | 21001910 | SPRING, BRAKE |
| 19 | 25-7930 | SCREW 5/16-18X3/4 (S/P) |
| 20 | 21001509 | SCREW, HIGH PERFORMANCE PLASTIC (S/P) |
| 21 | 35-2948 | BRAKE ROTOR & LINING ASSY |
| 22 | 21002026 | SNUBBER |
| 23 | 35-6918 | STATOR, BRAKE |
| 24 | 12002213 | THRUST BEARING KIT |
| 25 | 21001867 | HT TRANS/SEAL HUB ASSEMBLY |
| 26 | 21002237 | SEAL HUB ASSEMBLY (HT TRAN) |
| 26 | 12001561 | HOUSING/BEARING ASSY. |
| 27 | 33-7224N | TUB SEAL/HUB ASSY (HT TRANS) |

MAV7551AWW TINAS





MAV7551AWW TINAS

| | | |
|----|----------|--------------------------------------|
| 1 | 22004043 | AGITATOR/AUGER ASSY (AS PK) (S/P) |
| 2 | 21001510 | SCREW (S/P) |
| 3 | 22002933 | SCREW (S/P) |
| 4 | 25-7948 | SCREW, AGITATOR RETENTION (S/P) |
| 5 | 22003434 | GASKET, HUB/BOTTOM ISOLATOR (S/P) |
| 6 | 35-3686 | GASKET, TUB TO HOUSING (S/P) |
| 7 | 22003647 | BOLT, SHOULDER, THREAD CUTTING (S/P) |
| 8 | 35-2328 | SEAL, TUB TOP |
| 9 | 22003285 | HOSE, TUB TO PUMP |
| 10 | 22002741 | SPINNER ASSEMBLY, PLASTIC (S/P) |
| 10 | 22003430 | WASHER, NYLON (S/P) |
| 10 | 22003647 | BOLT, SHOULDER, THREAD CUTTING (S/P) |
| 11 | 35-3685 | GASKET, BASKET TO CENTERPOST (S/P) |
| 12 | 22002742 | TUB, OUTER (S/P) |
| 12 | 22003422 | AIR DOME HOSE (S/P) |
| 13 | 22004385 | TUB COVER ASSY. (TUB TOP) (S/P) |
| 13 | 12002452 | TUB COVER/BLEACH CUP KIT (S/P) |
| 14 | 22003985 | SOFTENER DISPENSER ASSEMBLY (S/P) |
| 15 | 22004398 | BLOCK, TUB (ATL) (S/P) |