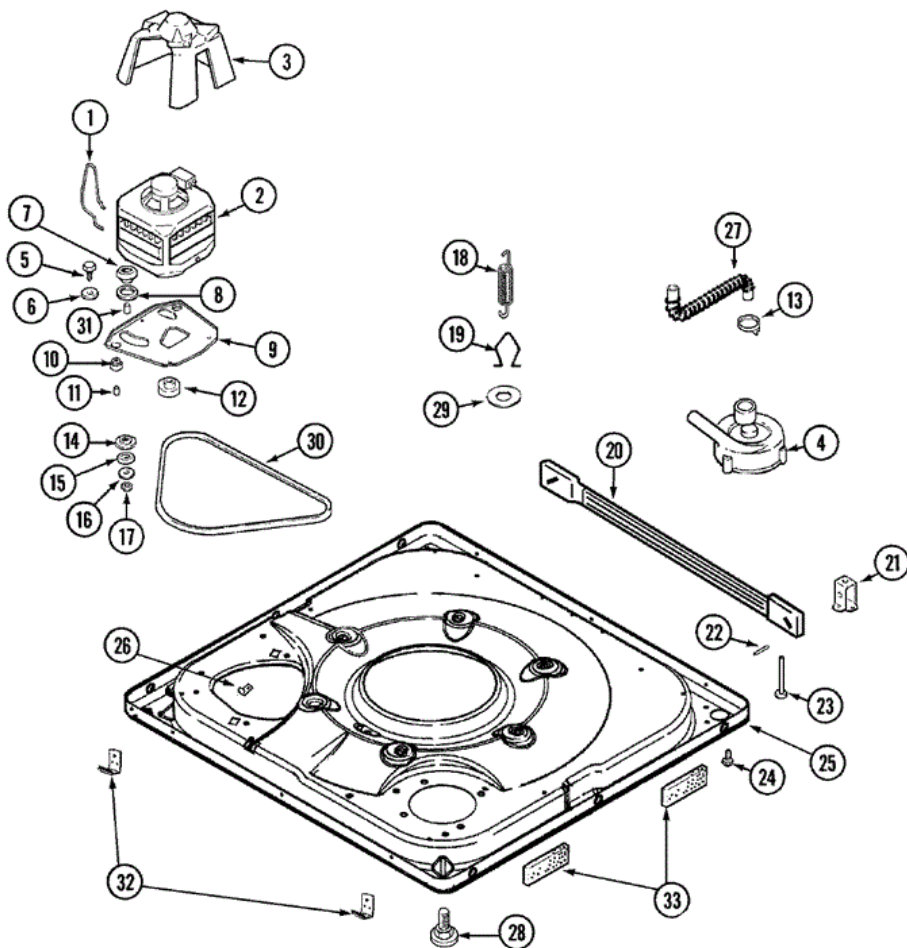


Distribuidor Autorizado

SurteRápido.com

Venta de Refacciones
Electrodomesticas

MAV7757AWW BASE





MAV7757AWW BASE

1	22004376	10	SPRING, MOTOR PIVOT
2	21001516	10	MOTOR & PULLEY ASSY.
3	22002019	10	SCREW
3	22002721	10	SHIELD, MOTOR
4	21001873	10	PUMP
4	22004055	10	SCREW HEX HD PUMP TO BASE
5	25-7833	10	SCREW
6	25-7834	10	WASHER
7	33-9946	10	ISOLATOR, MOTOR
8	35-3570	10	WASHER, MOTOR PIVOT
9	21001366	10	PLATE, MOTOR
9	35-2065	10	PAD, MOTOR PLATE
10	22004348	10	SLIDE, MOTOR PIVOT
10	35-3646	10	ISOLATOR, MOTOR PLATE
11	25-7831	10	SPACER
12	21001506	10	PULLEY, MOTOR-60 HZ
12	22004297	21	PULLEY
13	22002853	10	CLAMP, HOSE
14	35-3571	10	SLIDE, MOTOR PIVOT
15	33-9967	10	WASHER, MOTOR ISOLATOR
16	25-7047	10	WASHER, FLAT
17	25-7325	10	NUT, MOTOR PLATE ASY TO MOTOR
18	21001598	10	SPRING, SUSPENSION
19	21001166	10	HOOK, SUSPENSION SPRING
20	21001754	10	BAR, STABILIZER
21	35-2046	10	BRACKET, STABILIZER
23	35-3020	10	FOOT PAD ASSY. (REAR)
24	33002190	10	SCREW (NO.10-3/8``)
24	33002190	18	SCREW (NO.10-3/8``)
25	22003390	18	BASE (AS PACKED)
26	25-7845	10	SPEEDNUT
27	22003285	10	HOSE, TUB TO PUMP
28	35-3507	10	FOOT & PAD ASSY

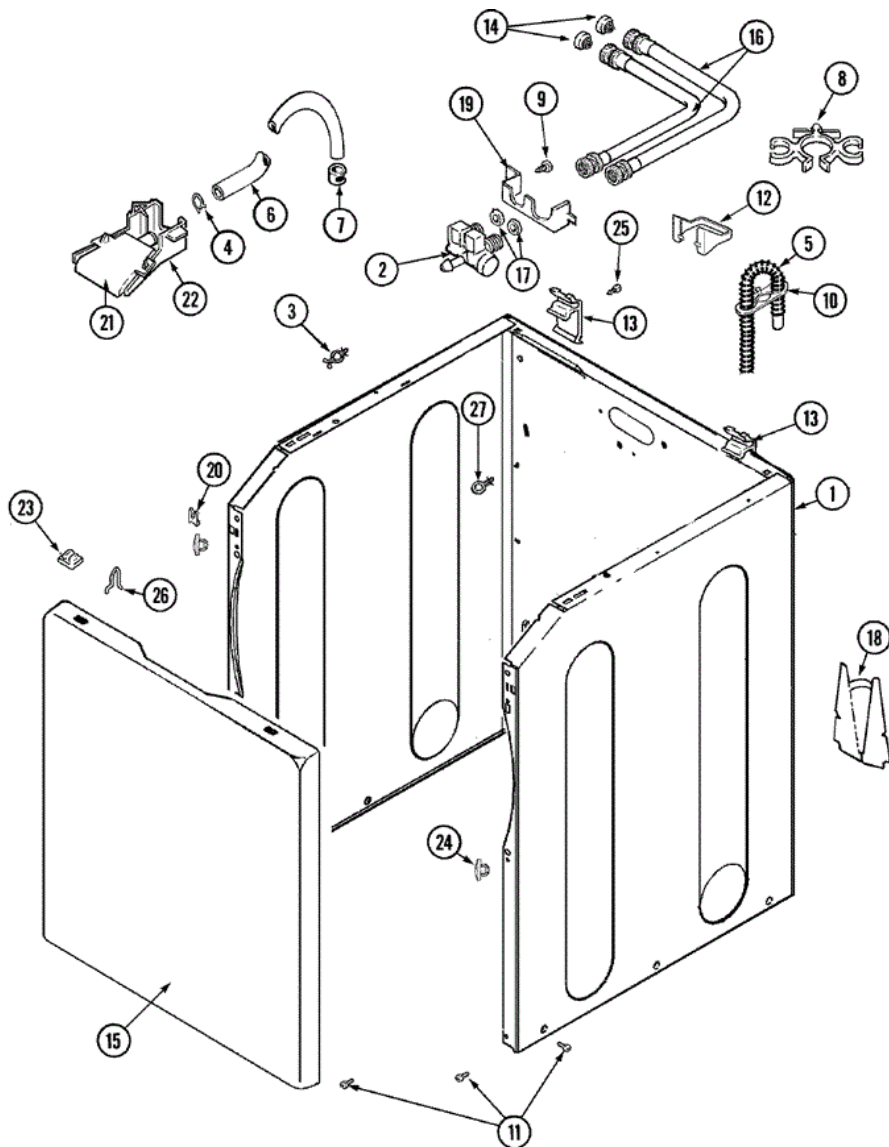
29	Y25-7951	10	WASHER, SUSPENSION HOOK
30	22003483	17	BELT, DRIVE
31	25-7830	10	SPACER
32	22002239	10	CLIP, LOWER FRONT PANEL
32	22002966	10	U-NUTS, TINNEMAN (FRT PNL)
32	33002190	10	SCREW (NO.10-3/8")
33	22002782	10	PAD, FOAM (SOUND DAMPENER)

Distribuidor Autorizado

SurteRápido.com

Venta de Refacciones
Electrodomesticas

MAV7757AWW GABINETE



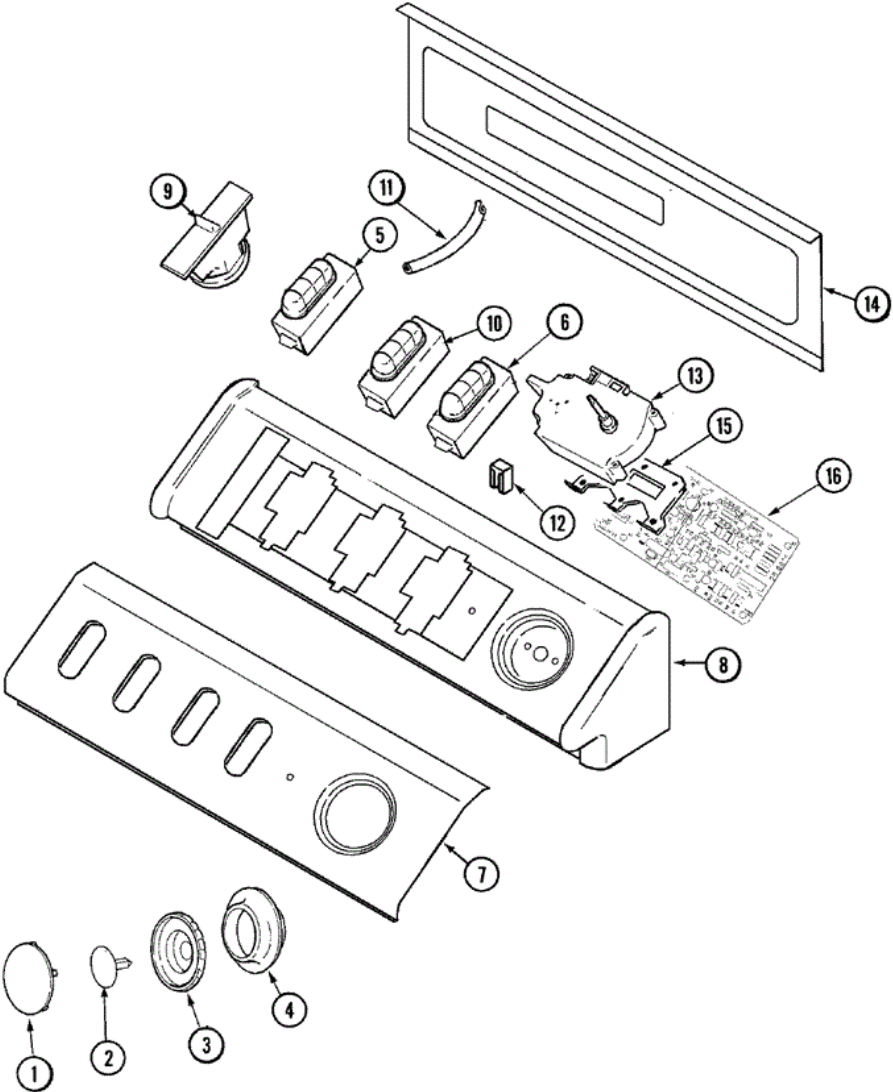


MAV7757AWW GABINETE

1	22002839	10	BRACE, CABINET (RT)
1	22002840	10	BRACE, CABINET (LT)
1	22003553	10	CABINET ASSY. (WHT-AS PKD)
1	33002190	10	SCREW (NO.10-3/8``)
2	22003372	10	VALVE, WATER W/THERMISTER
3	22002852	10	RETAINER, WIRE
4	22002838	10	CLAMP, SPRING
5	22003410	10	HOSE, DRAIN
5	22003596	10	CLAMP, HOSE
6	22002761	10	HOSE, INJECTOR
7	216169	10	CLAMP,HOSE-INJEC.HOSE TO VALVE
8	22002765	10	CLIP, HOSE
9	33002190	10	SCREW (NO.10-3/8``)
10	22002701	10	RETAINER, DRAIN HOSE
11	22003409	10	SCREW----NA
12	22003429	10	RETAINER, FILL HOSE
13	22003367	10	HINGE, PLASTIC
14	200961	10	SCREEN WASHER, INLET HOSE
15	22002293	10	INSULATION, CABINET
15	22002737	10	PANEL, FRONT (WHT)
15	22002854	10	PAD, SOUND BARRIER
15	33002190	10	SCREW (NO.10-3/8``)
16	22002763	10	INLET HOSE ASSY. (HOT)
16	22002764	10	INLET HOSE ASSY. (COLD)
16	22002960	10	STRAINER, WASHER INLET
17	Y013783	10	GASKET, INLET HOSE
18	22002704	10	COVER, DRAIN HOSE
18	33002190	10	SCREW (NO.10-3/8``)
19	22003376	10	BRACKET, WATER VALVE
20	22002748	10	FRONT PANEL BRACKET
21	22003374	10	UPPER WATER INJECTOR, FLUME
22	22004053		LOWER INJECTOR, FLUME
22	22003375	10	LOWER WATER INJECTOR, FLUME

23	22002013	10	STOP, SHIPPING
24	22002965	10	HOLE PLUG
25	22001995	10	SCREW
26	22003086	10	CLIP, AIR DOME HOSE
26	25-7220	10	CLIP, CABINET TOP

MAV7757AWW TABLERO

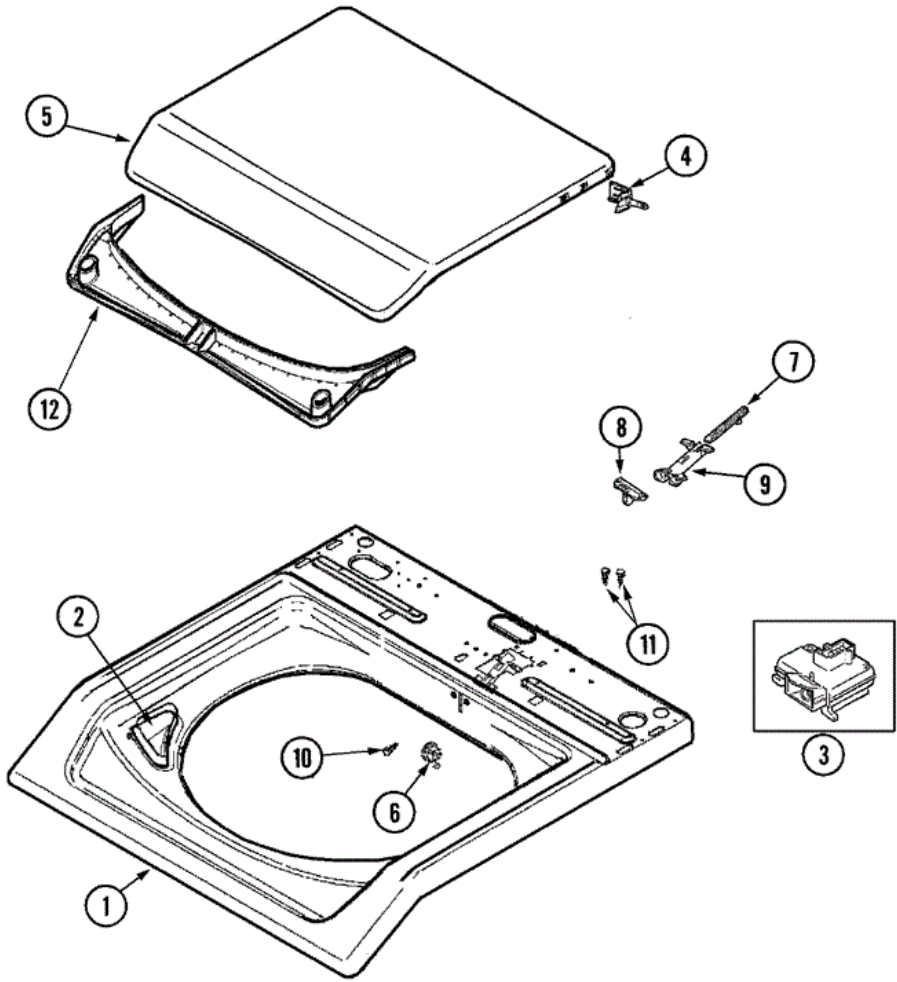




MAV7757AWW TABLERO

1	22001664	10	TIMER KNOB INSERT/CAP (WHT)
2	22002997	10	PIN, LOCKING
3	22002996	10	KNOB, TIMER (GRY)
4	22002995	10	SKIRT, TIMER KNOB (WHT)
5	22002999	10	SWITCH (4 BUTTON TEMP) (WHT)
6	22003391	10	SWITCH, 2 BUTTON (WHT)
7	22003869	10	CONTROL PANEL, FACIA / WHITE
8	22002925	10	SCREW
8	33002286	10	CONSOLE (WHT)
9	22002705	10	SWITCH, PRESSURE
9	22003461	10	PAD, PRESSURE SWITCH
10	22002711	10	SWITCH, 4 BUTTON OPTION / WHT
11	22003237	10	AIR DOME HOSE
12	22001948	10	LENS, INDICATOR LIGHT
12	903115	10	LOCK LIGHT
13	22003499	10	TIMER RPR
14	22002529	10	CONSOLE BACK PANEL
14	Y22002339	10	SCREW
15	22003003	10	BRACKET, ATC / TIMER
16	22003575	10	BOARD, CONTROL

MAV7757AWW TAPA

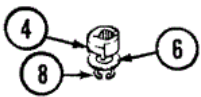
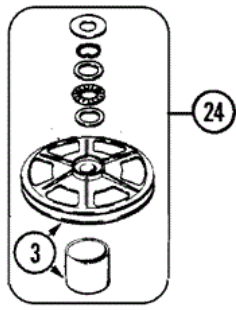
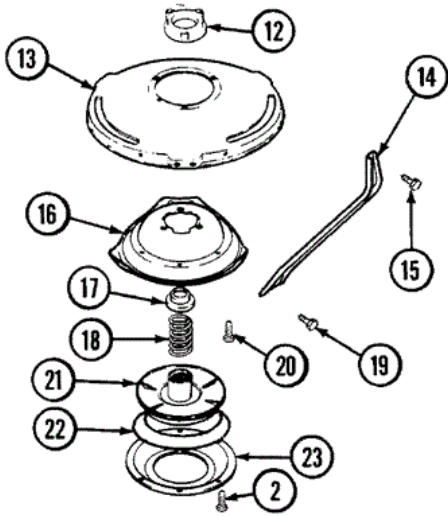
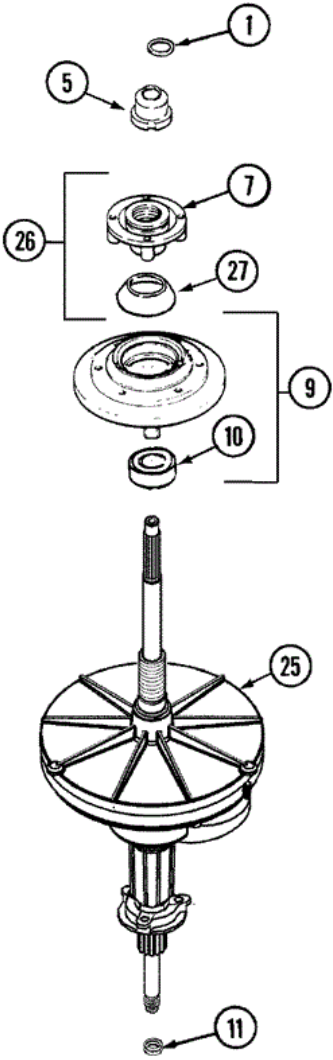




MAV7757AWW TAPA

1	22003367	10	HINGE, PLASTIC
1	22003468	10	COVER, TOP (WHT-ASPKD)
2	22002835	10	CUP, BLEACH (WHT)
3	22003804	10	LID SWITCH
4	22002751	10	HINGE PIN (WHT)
5	22003411	10	LID, WASHER (WHT-W/MED-ASPKD)
6	22002753	10	BUSHING, HINGE
7	22002754	10	PLUNGER
8	22002755	10	CAM, LID (WHT)
9	22002757	10	GUIDE TUBE
10	2016090	10	SCREW, LID SWITCH TO BRACKET
11	Y705026	10	SCREW
12	22002967	10	CONDENSATE SEAL (WHT)

MAV7757AWW TRANSMISION

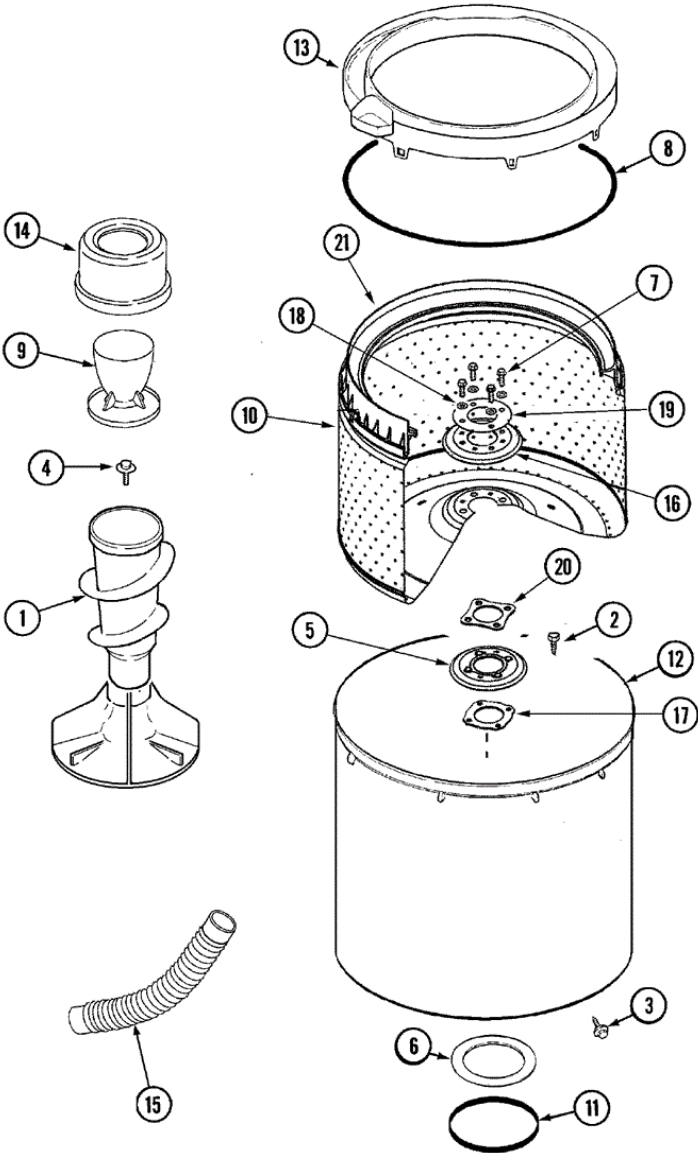




MAV7757AWW TRANSMISION

1	25-7941	10	``O`` RING
2	21001065	10	SCREW,NO.10-24X.50 HXNIBHD
3	12001797	10	KIT, PULLEY & DUST CAP
4	LA-2007	10	CAM REPLACEMENT KIT
5	21001533	10	SEAL NUT ASSEMBLY
6	35-2082	10	WASHER,1.25ODX.530IDX.062
6	35-2132	10	WASHER,1.25ODX.530IDX.032
7	21001515	10	BASKET HUB ASSEMBLY
8	25-7854	10	RING, RETAINING
9	12001598	10	TUB SEAL ASSEMBLY
10	35-2205	10	BEARING, SPIN
11	35-2010	10	SEAL,TRANSMISSION HOUSING(LIP)
12	21001511	10	HOUSING/LWR.BEARING ASSY.
12	35-2205	10	BEARING, SPIN
13	21001518	10	SUPPORT, TUB
14	21001532	10	BRACE, TUB
15	25-7895	10	SCREW, SUSP HSG TO LWR BRG ASY
16	21001163	10	HOUSING, SUSPENSION
17	35-2017	10	RETAINER, BRAKE SPRING
18	31001285	10	SPRING, BRAKE
19	25-7930	10	SCREW 5/16-18X3/4
20	21001509	10	SCREW,HIGH PERFORMANCE PLASTIC
21	35-2948	10	BRAKE ROTOR & LINING ASSY
22	21001161	10	SNUBBER
23	35-2018	10	STATOR, BRAKE
24	12500036	10	THRUST BEARING KIT
25	21001536	10	TRANS. ASSY.(W/O SEAL/BEARING)
25	21001867	11	HT TRANS/SEAL HUB ASSEMBLY
25	21001867	16	HT TRANS/SEAL HUB ASSEMBLY
26	21001508	10	HOUSING/BEARING ASSY.
26	21001868	16	SEAL HUB ASSEMBLY (HT TRAN)
27	35-2974	10	TUB SEAL/HUB ASSY (HT TRANS)

MAV7757AWW TINAS





MAV7757AWW TINAS

1	22003885	10	AUGER/AGITATOR ASSY (AS PACK)
1	22004042	12	AGITATOR/AUGER ASSY (AS PK)
2	21001510	10	SCREW
3	25-7953	10	SCREW
4	25-7948	10	SCREW, AGITATOR RETENTION
5	22003389	10	RING, INSULATING BOTTOM W/SEAL
6	35-3686	10	GASKET, TUB TO HOUSING
7	22003647	10	BOLT, SHOULDER, THREAD CUTTING
8	35-2328	10	SEAL, TUB TOP
9	22002769	10	DISPENSER FABRIC SOFT.---SUB
10	22003459	10	SPINNER, STAINLESS(ASPK-VERTI)
10	22004240	18	CRIMPED SPINNER ASSY AS PK
11	35-2978	10	SEAL, TUB/HOUSING
12	22002742	10	TUB, OUTER
13	22002736	10	TUB COVER ASSY. (TUB TOP)
13	22004241	18	TOP, SPINNER ASSY AS PK
14	21001599	10	DISPENSER, FABRIC SOFTENER
15	22003285	10	HOSE, TUB TO PUMP
16	22003378	10	RING, TOP INSULATING
17	22003434	10	GASKET, HUB/BOTTOM ISOLATOR
18	22003430	10	WASHER, NYLON
19	22003431	10	WASHER, STAINLESS STEEL FLAT
20	22003432	10	GASKET, BOTTOM ISOLATOR
21	22003368	10	SPINNER TOP
22	22003458	10	BLOCK, TUB (ATL)