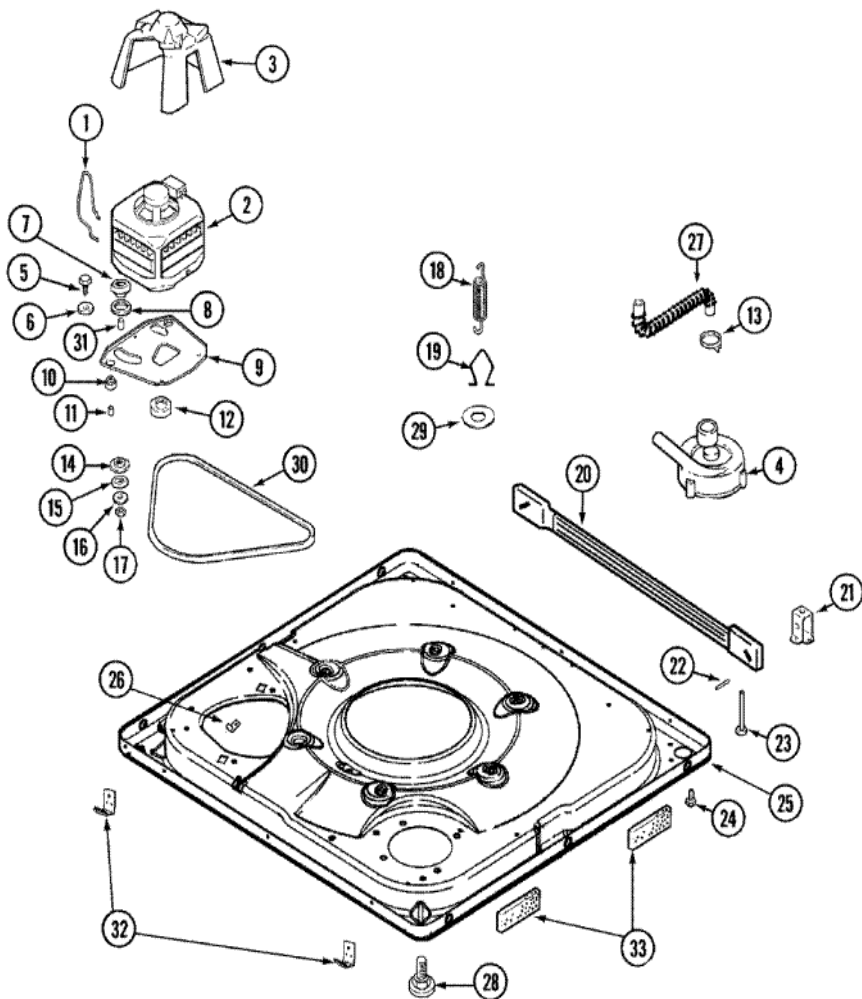


Distribuidor Autorizado

SurteRápido.com

Venta de Refacciones
Electrodomesticas

MAV8000AWW BASE





MAV8000AWW BASE

1	22004376	SPRING, MOTOR PIVOT
2	21001950	MOTOR & PULLEY ASSY.
3	22002721	SHIELD, MOTOR (S/P)
4	21001906	PUMP
4	22003438	SLEEVE, PUMP (ATL) (S/P)
5	25-7833	SCREW (S/P)
6	25-7834	WASHER (S/P)
7	33-9946	ISOLATOR, MOTOR
8	35-3570	WASHER, MOTOR PIVOT (S/P)
9	35-2065	PAD, MOTOR PLATE (S/P)
9	21001783	PLATE, MOTOR
10	35-3646	ISOLATOR, MOTOR PLATE (S/P)
10	22004348	SLIDE, MOTOR PIVOT (S/P)
11	25-7831	SPACER (S/P)
12	3988894	PULLEY
13	22002853	CLAMP, HOSE (S/P)
14	35-3571	SLIDE, MOTOR PIVOT (S/P)
15	33-9967	WASHER, MOTOR ISOLATOR (S/P)
16	25-7047	WASHER, FLAT (S/P)
17	21002009	NUT, MOTOR PLATE ASY TO MOTOR (S/P)
18	21001598	SPRING, SUSPENSION
19	21001166	HOOK, SUSPENSION SPRING
20	21001881	BAR, STABILIZER
21	35-2046	BRACKET, STABILIZER
22	35-2052	PIN, STABILIZER
23	22004469	FOOT PAD ASSY. (REAR)
24	31001041	SCREW (S/P)
25	22002841	BASE
26	25-7845	SPEEDNUT (S/P)
27	22003285	HOSE, TUB TO PUMP
27	21001915	HOSE, TUB TO PUMP
28	35-3507	FOOT & PAD ASSY
29	Y25-7951	WASHER, SUSPENSION HOOK (S/P)

30	22003483	BELT, DRIVE
31	25-7830	SPACER
32	692771	U-NUTS, TINNEMAN (FRT PNL) (S/P)
32	22002239	CLIP, LOWER FRONT PANEL (S/P)
33	22002782	PAD, FOAM (SOUND DAMPENER) (S/P)

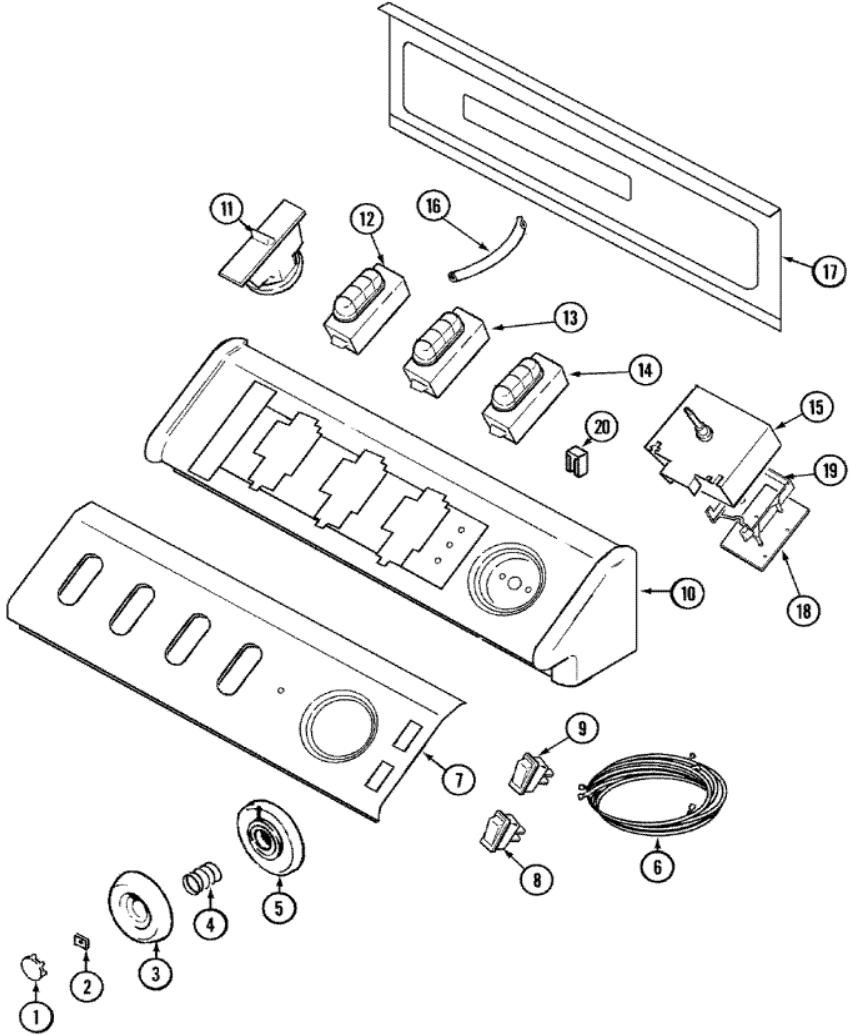


MAV8000AWW GABINETE

1	22003639	DESCONTINUADO
1	22003511	INSULATION, CABINET (S/P)
2	22002708	VALVE, WATER
3	22003298	RETAINER, WIRE (S/P)
4	22002838	CLAMP, SPRING (S/P)
5	76660	ANTI-SIPHON ACCESSORY
5	22003596	CLAMP, HOSE (S/P)
5	22003410	HOSE, DRAIN
6	22002761	HOSE, INJECTOR (S/P)
7	216169	CLAMP, HOSE-INJEC.HOSE TO VALVE (S/P)
8	22002765	CLIP, HOSE (S/P)
9	33002190	SCREW (No.10-3/8``) (S/P)
10	22003814	RETAINER, DRAIN HOSE (S/P)
11	22001995	SCREW (S/P)
12	22002839	BRACE, CABINET (RT) (S/P)
12	22002840	BRACE, CABINET (LT) (S/P)
13	22002092	PANEL, ACCESS (S/P)
14	12001413	SCREEN WASHER, INLET HOSE (S/P)
15	22003512	PAD, SOUND BARRIER (S/P)
15	22002737	PANEL, FRONT (WHT) (S/P)
16	12001900	INLET HOSE ASSY. (HOT) (S/P)
16	12001901	INLET HOSE ASSY. (COLD) (S/P)
17	Y013783	GASKET, INLET HOSE (S/P)
18	22002704	COVER, DRAIN HOSE (S/P)
19	22002762	BRACKET, WATER VALVE (S/P)
20	22002748	FRONT PANEL BRACKET (S/P)
21	22002759	FLUME, WATER INJECTOR (UPR) (S/P)
22	22002722	FLUME, WATER INJECTOR (LWR)
23	22002722	INJECTOR FLUME ASSY.
24	22002767	BRACE, CROSS (S/P)
25	22002013	STOP, SHIPPING (S/P)
26	25-7220	CLIP, CABINET TOP (S/P)
27	22002362	DESCONTINUADO

28	22002965	HOLE PLUG (S/P)
29	22003086	CLIP, AIR DOME HOSE (S/P)
30	33002388	WASHER (HDWR PKG) (S/P)
30	3347868	TIE, BEADED (S/P)
30	33001245	DESCONTINUADO
30	22002960	STRAINER (S/P)
30	Y013783	GASKET, INLET HOSE (S/P)
30	35-2890	CABLE TIE (S/P)

MAV8000AWW TABLERO

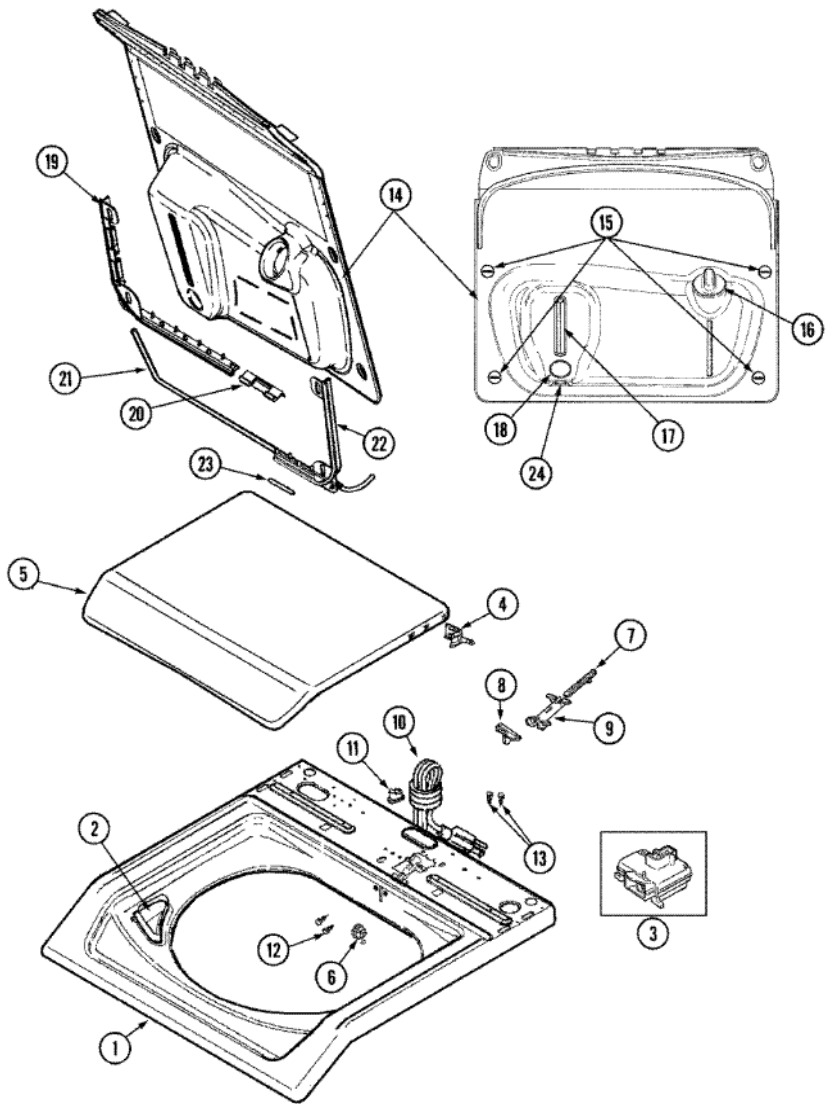




MAV8000AWW TABLERO

1	22001664	TIMER KNOB INSERT/CAP (WHT)
2	211605	RETAINER, TIMER KNOB
3	22001659	TIMER KNOB – GREY
4	2-11065	SPRING, TIMER KNOB
5	22001660	DIAL SKIRT – WHITE
6	22002730	WIRE HARNESS (S/P)
6	22003220	WIRE HARNESS (S/P)
7	22002726	PANEL, CONTROL (S/P)
8	22002815	DESCONTINUADO
9	22002720	DESCONTINUADO
10	27001110	CONSOLE (WHT) (S/P)
11	22003461	PAD, PRESSURE SWITCH (S/P)
11	22002705	SWITCH, PRESSURE (S/P)
12	22002714	SWITCH, TEMPERATURE (S/P)
12	22001789	BUTTON, SWITCH (WHT-MDL) (S/P)
12	22001788	BUTTON, SWITCH (WHT-END) (S/P)
13	22001788	BUTTON, SWITCH (WHT-END) (S/P)
13	22001789	BUTTON, SWITCH (WHT-MDL) (S/P)
13	22002711	DESCONTINUADO
14	22001788	BUTTON, SWITCH (WHT-END) (S/P)
14	22002712	SWITCH, (4 POS. WHT) (S/P)
14	22001789	BUTTON, SWITCH (WHT-MDL) (S/P)
15	22003219	TIMER
15	22002718	TIMER
16	22003422	AIR DOME HOSE (S/P)
17	22002529	DESCONTINUADO
18	22003617	BOARD, CONTROL
19	22002856	BRACKET, MTG. (CTL. BOARD)
20	22001948	LENS, INDICATOR LIGHT (S/P)
20	903115	LOCK LIGHT (S/P)

MAV8000AWW TAPA

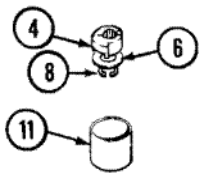
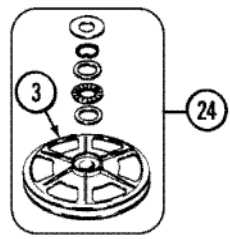
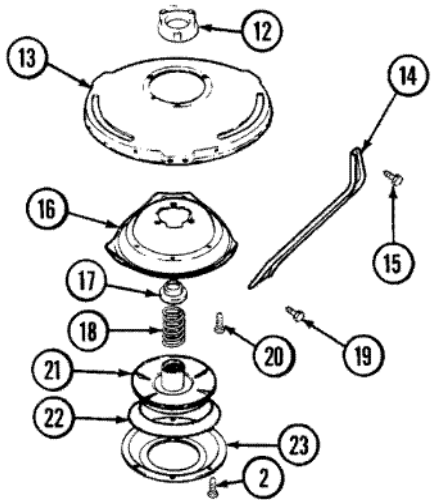
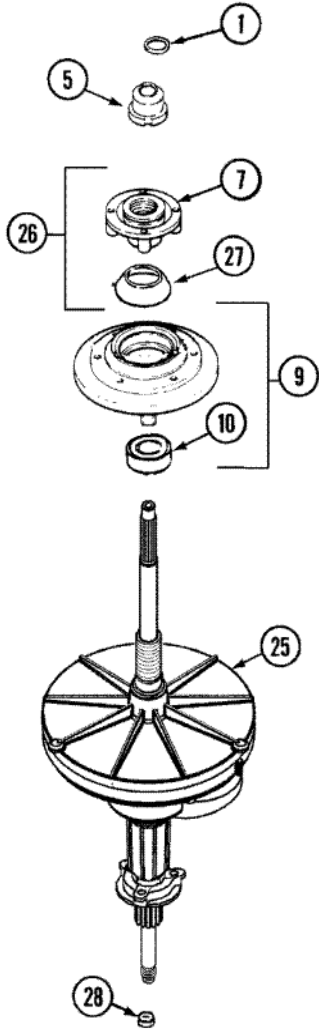




MAV8000AWW TAPA

1	22002739	COVER, TOP (WHT) (S/P)
2	22002835	CUP, BLEACH (WHT) (S/P)
3	12001908	SWITCH, LID
4	22002751	HINGE PIN (WHT) (S/P)
5	22002872	LID, WASHER (WHT-W/MEDALLION) (S/P)
6	22002753	BUSHING, HINGE (S/P)
7	22002754	PLUNGER (S/P)
8	22003941	CAM, LID (WHT)
9	22002757	GUIDE TUBE (S/P)
10	22003062	CORD, POWER (S/P)
11	2-11881	GROMMET, CORD
12	2016090	SCREW, LID SWITCH TO BRACKET (S/P)
13	Y705026	SCREW (S/P)
14	22003797	DOSING LID ASSY. (S/P)
15	22002774	LOCK, TWIST (S/P)
16	22002775	CAP (S/P)
17	22002776	SLIDER, SIGHT GLASS (S/P)
18	22002777	PLUNGER VALVE ASSEMBLY (S/P)
19	22002771	RETAINER, TORSION ROD (LT) (S/P)
20	22002772	SUPPORT, CTR. (TORSION ROD) (S/P)
21	22002842	TORSION ROD (S/P)
22	22002843	RETAINER, TORSION ROD (RT) (S/P)
23	22002844	BEARING, TORSION ROD (S/P)
24	22002779	RETAINER, PLUNGER VALVE (CLIP) (S/P)

MAV8000AWW TRANSMISION

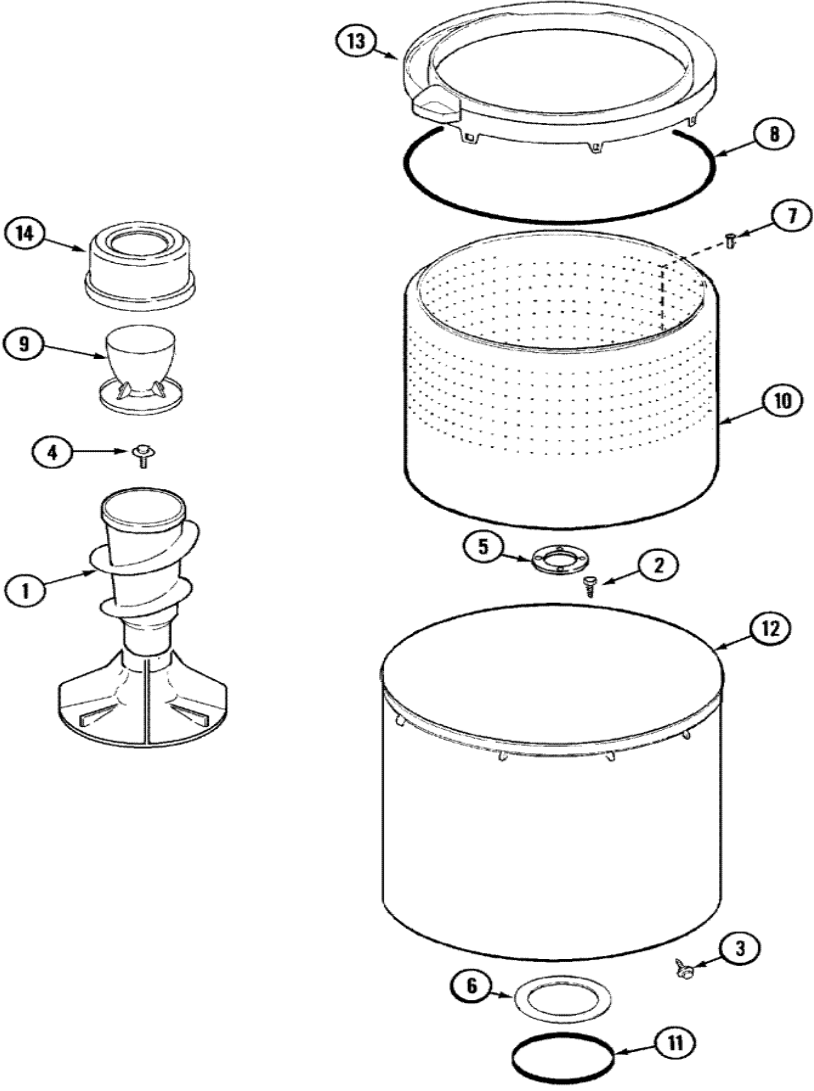




MAV8000AWW TRANSMISION

1	25-7941	``O`` RING
2	21001065	SCREW, No.10-24X.50 HXNIBHD (S/P)
3	12002213	KIT, PULLEY & DUST CAP
4	12002213	CAM REPLACEMENT KIT
5	21001533	SEAL NUT ASSEMBLY
6	35-2082	WASHER, 1.25ODX.530IDX.062
6	35-2132	WASHER, 1.25ODX.530IDX.032
7	21002237	BASKET HUB ASSEMBLY
8	25-7854	RING, RETAINING
9	21002237	HOUSING/BEARING ASSY.
10	35-2205	BEARING, SPIN
11	35-2007	CAP, DUST
12	35-2205	BEARING, SPIN
12	12001562	HOUSING/LWR.BEARING ASSY.
13	21001518	SUPPORT, TUB (S/P)
14	21001532	BRACE, TUB (S/P)
15	25-7895	SCREW, SUSP HSG TO LWR BRG ASY (S/P)
16	21001163	HOUSING, SUSPENSION (S/P)
17	35-2017	RETAINER, BRAKE SPRING
18	21001910	SPRING, BRAKE
19	25-7930	SCREW 5/16-18X3/4 (S/P)
20	21001509	SCREW, HIGH PERFORMANCE PLASTIC (S/P)
21	35-2948	BRAKE ROTOR & LINING ASSY
22	21002026	SNUBBER
23	35-6918	STATOR, BRAKE
24	12002213	THRUST BEARING KIT
25	21001867	TRANS. ASSY.(W/O SEAL/BEARING)
26	21002237	TUB SEAL ASSEMBLY
27	33-7224N	TUB SEAL/HUB ASSY (HT TRANS)
28	207843	SEAL, TRANSMISSION HOUSING(LIP)

MAV8000AWW TINA





MAV8000AWW TINA

1	22004042	AGITATOR/AUGER ASSY.
2	21001510	SCREW (S/P)
3	22002933	SCREW (S/P)
4	25-7948	SCREW, AGITATOR RETENTION (S/P)
5	35-3685	GASKET, BASKET TO CENTERPOST (S/P)
6	35-3686	GASKET, TUB TO HOUSING (S/P)
7	25-7967	SCREW, SHOULDER (S/P)
8	35-2328	SEAL, TUB TOP
9	22003446	DESCONTINUADO
10	22002741	SPINNER ASSEMBLY, PLASTIC (S/P)
11	35-2978	SEAL, TUB/HOUSING (S/P)
12	22002742	TUB, OUTER (S/P)
13	22004385	TUB COVER ASSY. (TUB TOP) (S/P)
14	22002758	DISPENSER ASSY, FAB. SOFT SUB
15	22004398	BLOCK, TUB (ATL) (S/P)