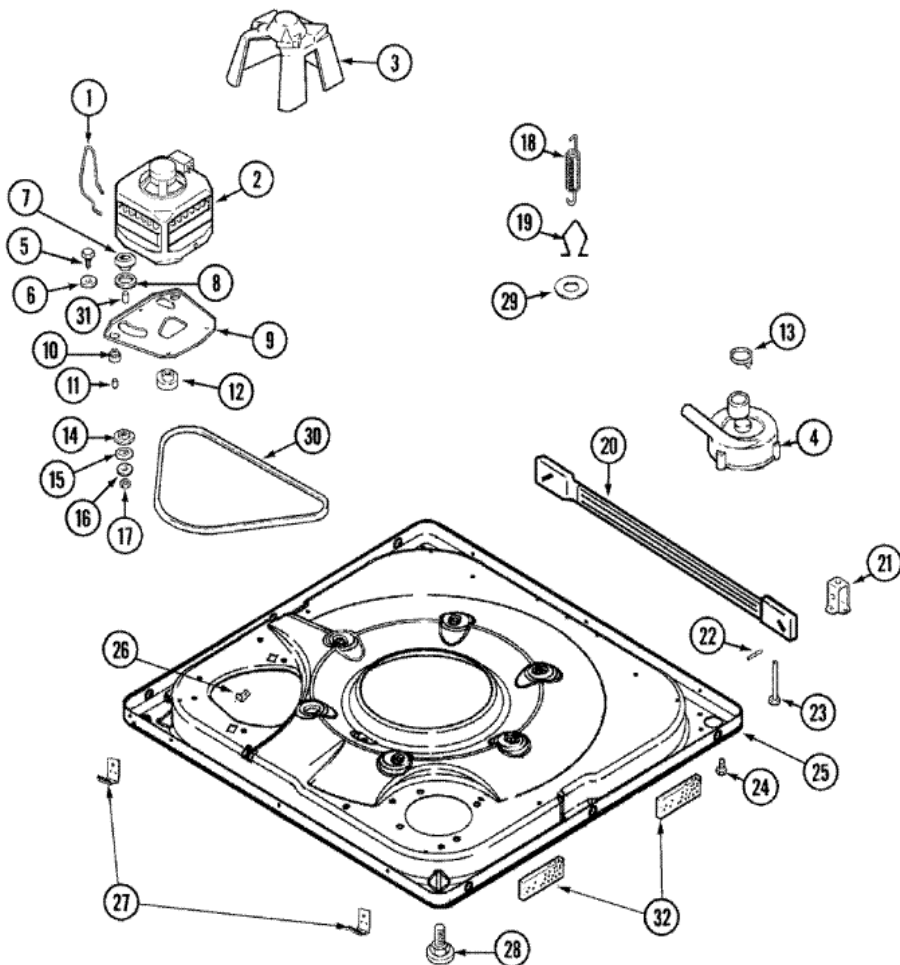


Distribuidor Autorizado

SurteRápido.com

Venta de Refacciones  
Electrodomesticas

MAV8551AWW BASE





## MAV8551AWW BASE

1	22004376	SPRING, MOTOR PIVOT
2	21001950	MOTOR (120V 60HZ 2SP)
3	22002019	SCREW <b>(S/P)</b>
3	22002721	SHIELD, MOTOR <b>(S/P)</b>
4	21002240	PUMP
4	22003438	SLEEVE, PUMP (ATL) <b>(S/P)</b>
4	22004055	SCREW HEX HD PUMP TO BASE <b>(S/P)</b>
5	25-7833	SCREW <b>(S/P)</b>
6	25-7834	WASHER <b>(S/P)</b>
7	33-9946	ISOLATOR, MOTOR
8	35-3570	WASHER, MOTOR PIVOT <b>(S/P)</b>
9	35-2065	PAD, MOTOR PLATE <b>(S/P)</b>
9	21001783	PLATE, MOTOR
9	22003817	SCREW, SERRATED WASHER HEAD HX <b>(S/P)</b>
10	35-3571	SLIDE, MOTOR PIVOT <b>(S/P)</b>
10	35-3646	ISOLATOR, MOTOR PLATE <b>(S/P)</b>
10	22004348	SLIDE, MOTOR PIVOT <b>(S/P)</b>
11	25-7831	SPACER <b>(S/P)</b>
12	33-9946	ISOLATOR, MOTOR
13	22002853	CLAMP, HOSE <b>(S/P)</b>
14	35-3571	SLIDE, MOTOR PIVOT <b>(S/P)</b>
15	33-9967	WASHER, MOTOR ISOLATOR <b>(S/P)</b>
16	25-7047	WASHER, FLAT <b>(S/P)</b>
17	21002009	NUT, MOTOR PLATE ASY TO MOTOR <b>(S/P)</b>
18	21001598	SPRING, SUSPENSION
19	21001166	HOOK, SUSPENSION SPRING
20	21001881	BAR, STABILIZER
21	35-2046	BRACKET, STABILIZER
22	35-2052	PIN, STABILIZER
23	22004469	FOOT PAD ASSY. (REAR)
24	33002190	SCREW (NO.10-3/8``) <b>(S/P)</b>
25	22003817	SCREW, SERRATED WASHER HEAD HX <b>(S/P)</b>
25	22003390	BASE (AS PACKED) <b>(S/P)</b>

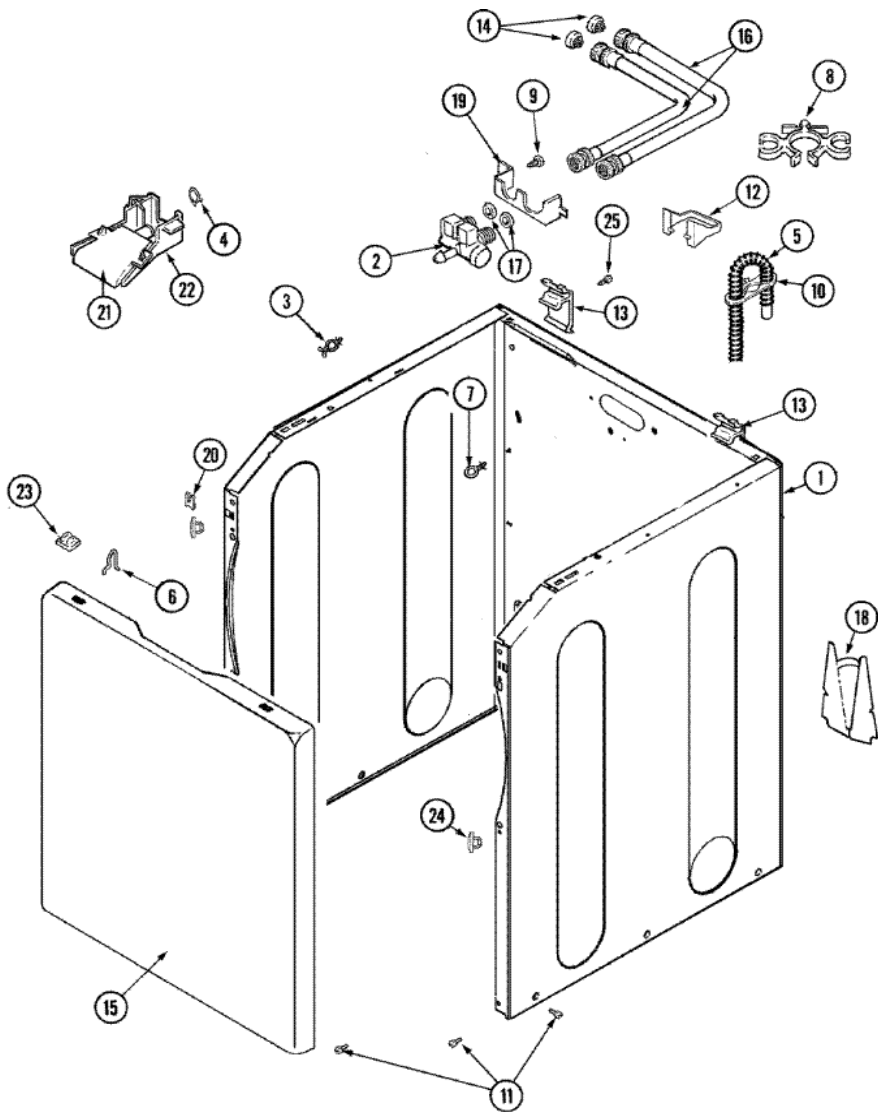
26	25-7845	SPEEDNUT <b>(S/P)</b>
27	22004045	CLIP, LOWER FRONT PANEL <b>(S/P)</b>
27	22002239	CLIP, LOWER FRONT PANEL <b>(S/P)</b>
27	33002190	SCREW (NO.10-3/8``) <b>(S/P)</b>
28	35-3507	FOOT & PAD ASSY
29	Y25-7951	WASHER, SUSPENSION HOOK <b>(S/P)</b>
30	22003483	BELT, DRIVE
31	25-7830	SPACER
32	22002782	PAD, FOAM (SOUND DAMPENER) <b>(S/P)</b>

Distribuidor Autorizado

SurteRápido.com

Venta de Refacciones  
Electrodomesticas

## MAV8551AWW GABINETE





**MAV8551AWW GABINETE**

1	33002190	SCREW (No.10-3/8``) (S/P)
1	22002839	BRACE, CABINET (RT) (S/P)
1	22002840	BRACE, CABINET (LT) (S/P)
1	22003553	CABINET ASSY. (WHT-AS PKD) (S/P)
2	22004333	VALVE, WATER
3	22003298	RETAINER, WIRE (S/P)
4	285655	CLAMP, SPRING (S/P)
5	12001586	ANTI-SIPHON ACCESSORY (S/P)
5	22003410	HOSE, DRAIN
5	22003596	CLAMP, HOSE (S/P)
6	25-7220	CLIP, CABINET TOP (S/P)
7	22003086	CLIP, AIR DOME HOSE (S/P)
8	22002765	CLIP, HOSE (S/P)
9	22003735	SCREW, No.10-16X1/2 AB TRUSS (S/P)
10	22003814	RETAINER, DRAIN HOSE (S/P)
11	22003409	<b>DESCONTINUADO</b>
12	22003429	RETAINER, FILL HOSE (S/P)
13	22004095	HINGE, PLASTIC
14	12001413	SCREEN WASHER, INLET HOSE (S/P)
15	22003511	INSULATION (S/P)
15	22002737	PANEL, FRONT (WHT) (S/P)
16	89503	HOSE, 4" INLET
16	35-3401	HOSE, INLET (HOT) (S/P)
17	Y013783	GASKET, INLET HOSE (S/P)
18	33002190	SCREW (No.10-3/8``) (S/P)
18	22002704	COVER, DRAIN HOSE (S/P)
19	22003376	BRACKET, WATER VALVE (S/P)
20	22002748	FRONT PANEL BRACKET (S/P)
21	22003995	UPPER INJECTOR ASM W/THERMOST (S/P)
22	22004053	LOWER INJECTOR, FLUME (S/P)
23	22002013	STOP, SHIPPING (S/P)
24	22002965	HOLE PLUG (S/P)
25	22001995	SCREW (S/P)

28	Y013783	GASKET, INLET HOSE (S/P)
29	22002960	STRAINER, WASHER INLET (S/P)
30	33001245	<b>DESCONTINUADO</b>
31	33002388	WASHER (HDWR PKG) (S/P)
32	35-2890	CABLE TIE (S/P)

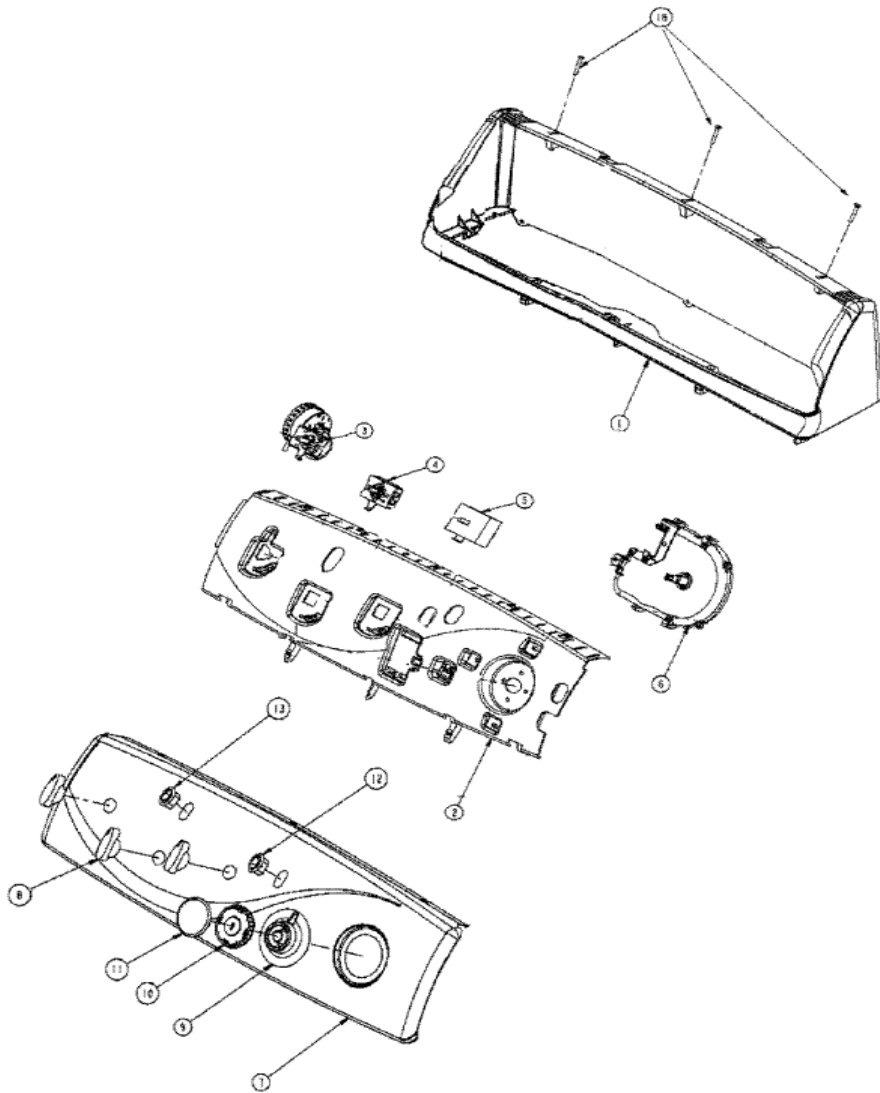
Distribuidor Autorizado

**SurteRápido.com**

Venta de Refacciones  
Electrodomesticas



## MAV8551AWW TABLERO



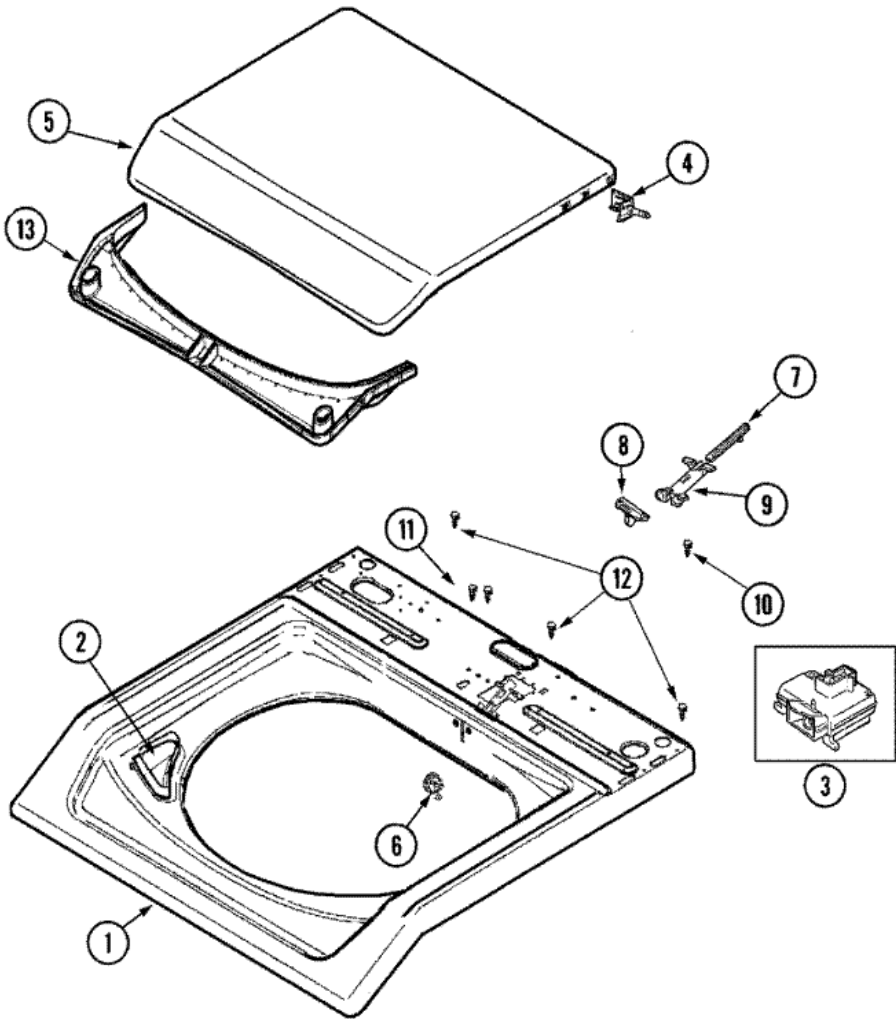


**MAV8551AWW TABLERO**

2	22003955	SWITCH SUPPORT (S/P)
3	22004200	PRESSURE SWITCH, INFINITE (S/P)
3	22003964	INFINITE PRESSURE SWITCH---SUB (S/P)
4	22003998	4 POSITION ATC TEMP SWITCH (S/P)
5	22004004	5 POSITION ROTARY SPEED SWITCH (S/P)
6	22004380	TIMER (S/P)
6	33002917	SCREW, No.10-16 (S/P)
7	22003969	FACIA, CONTROL PANEL (WHT) (S/P)
8	22003987	CONTROL KNOB (CHROME) WHT (S/P)
8	22004050	<b>DESCONTINUADO</b>
9	22004165	TIMER DIAL SKIRT (WHT) (S/P)
10	22003993	TIMER KNOB (BLUE) (WHT) (S/P)
11	22003989	TIMER CAP (CHROME) WHT (S/P)
12	22003977	SWITCH, ROCKER (WHT) (S/P)
13	22003986	ROCKER SWITCH ON/OFF (WHT) (S/P)
14	22003938	SCREW, OVAL CTSK HD No.8 (S/P)



**MAV8551AWW TAPA**

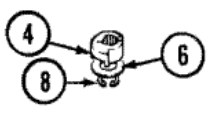
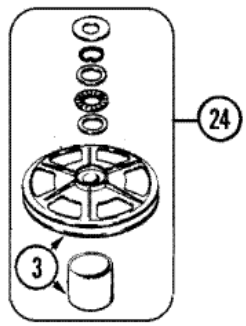
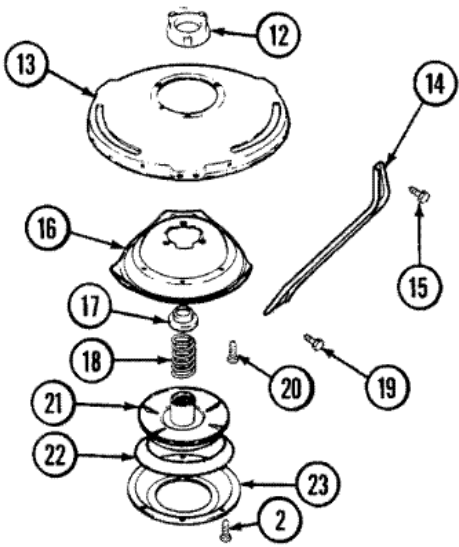
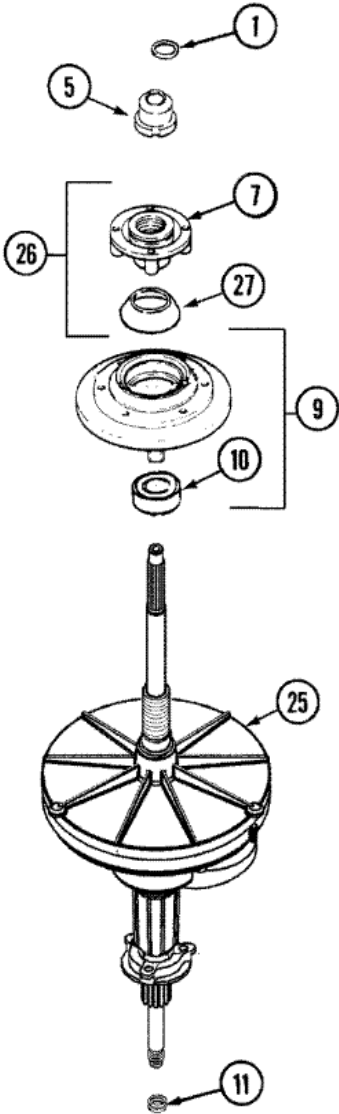




**MAV8551AWW TAPA**

1	22003468	COVER, TOP (WHT-ASPKD) (S/P)
2	22004382	BLEACH CUP (BSQ) (S/P)
2	22004381	BLEACH CUP (WHT) (S/P)
2	22002835	CUP, BLEACH (WHT) (S/P)
3	22003804	LID SWITCH (S/P)
4	22002751	HINGE PIN (WHT) (S/P)
5	22004063	LID AS PACK PHASE III (WHT) (S/P)
6	22002753	BUSHING, HINGE (S/P)
7	22002754	PLUNGER (S/P)
8	22003941	LID CAM (WHITE) (S/P)
9	22002757	GUIDE TUBE (S/P)
10	2016090	SCREW, LID SWITCH TO BRACKET (S/P)
11	22003217	SCREW, BRACKET TO CABINET (S/P)
12	Y22002339	SCREW (S/P)
13	22002967	CONDENSATE SEAL (WHT) (S/P)

**MAV8551AWW TRANSMISION**

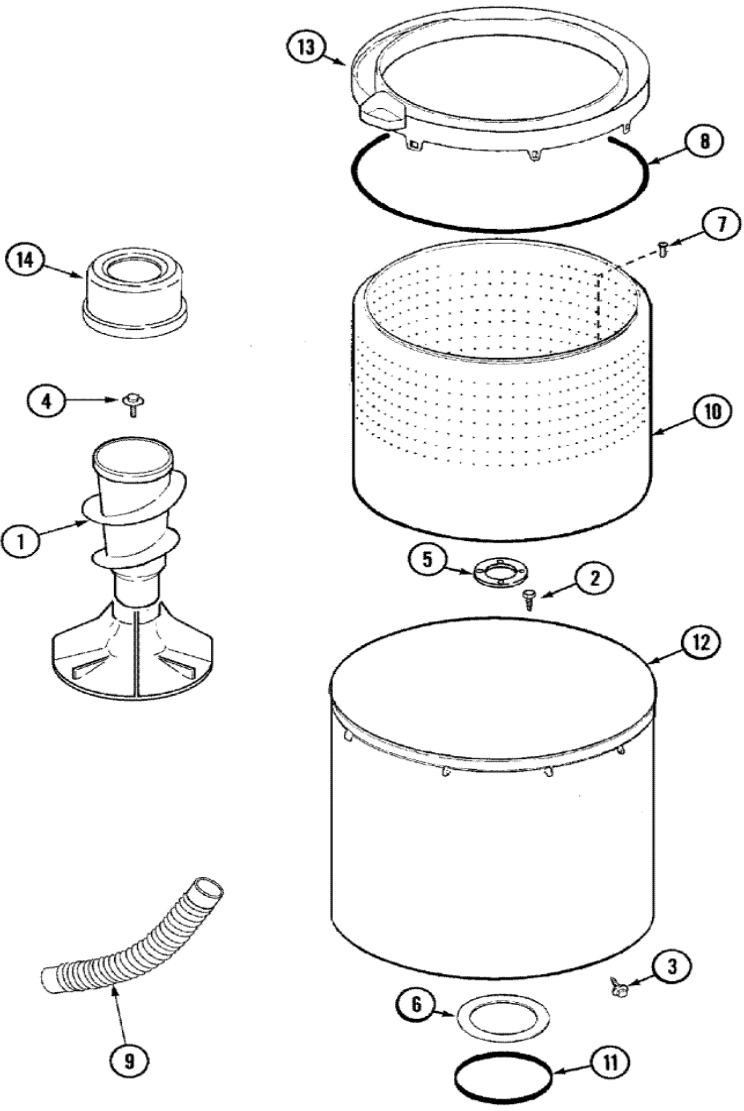




## MAV8551AWW TRANSMISION

1	25-7941	``O`` RING
3	12002213	KIT, PULLEY & DUST CAP
4	12002213	CAM REPLACEMENT KIT
5	21001533	SEAL NUT ASSEMBLY
6	35-2132	WASHER, 1.25ODX.530IDX.032
6	35-2082	WASHER, 1.25ODX.530IDX.062
7	21002237	BASKET HUB ASSEMBLY
7	35-2132	WASHER, 1.25ODX.530IDX.032
7	22003595	GASKET, ISOLATOR (FOAM) <b>(S/P)</b>
7	22003378	RING, TOP INSULATING <b>(S/P)</b>
8	25-7854	RING, RETAINING
9	21002237	TUB SEAL ASSEMBLY
10	35-2205	BEARING, SPIN
11	207843	SEAL, TRANSMISSION HOUSING(LIP)
12	12001562	HOUSING/LWR.BEARING ASSY.
12	35-2205	BEARING, SPIN
13	21001518	SUPPORT, TUB <b>(S/P)</b>
14	21001532	BRACE, TUB <b>(S/P)</b>
15	25-7895	SCREW, SUSP HSG TO LWR BRG ASY <b>(S/P)</b>
16	21001163	HOUSING, SUSPENSION <b>(S/P)</b>
17	35-2017	RETAINER, BRAKE SPRING
18	21001910	SPRING, BRAKE
20	21001509	SCREW, HIGH PERFORMANCE PLASTIC <b>(S/P)</b>
21	35-2948	BRAKE ROTOR & LINING ASSY
22	21002026	SNUBBER
23	35-6918	STATOR, BRAKE
24	12002213	THRUST BEARING KIT
25	21001867	TRANS. ASSY.(W/O SEAL/BEARING)
26	21002237	SEAL HUB ASSEMBLY (HT TRAN)
27	33-7224N	TUB SEAL/HUB ASSY (HT TRANS)

**MAV8551AWW TINAS**





**MAV8551AWW TINAS**

1	22004043	AGITATOR/AUGER ASSY (AS PK) <b>(S/P)</b>
2	21001065	SCREW, No.10-24X.50 HXNIBHD <b>(S/P)</b>
3	22002933	SCREW <b>(S/P)</b>
4	25-7948	SCREW, AGITATOR RETENTION <b>(S/P)</b>
5	22003434	GASKET, HUB/BOTTOM ISOLATOR <b>(S/P)</b>
6	35-3686	GASKET, TUB TO HOUSING <b>(S/P)</b>
7	22003647	BOLT, SHOULDER, THREAD CUTTING <b>(S/P)</b>
8	35-2328	SEAL, TUB TOP
9	22003285	HOSE, TUB TO PUMP
10	22003459	SPINNER, STAINLESS(ASPK-VERTI) <b>(S/P)</b>
11	35-2978	SEAL, TUB/HOUSING <b>(S/P)</b>
12	22003422	AIR DOME HOSE <b>(S/P)</b>
12	22002742	TUB, OUTER <b>(S/P)</b>
13	12002452	TUB COVER/BLEACH CUP KIT <b>(S/P)</b>
13	22004385	TUB COVER ASSY. (TUB TOP) <b>(S/P)</b>
13	22004241	TOP, SPINNER ASSY AS PK <b>(S/P)</b>
14	22003985	SOFTENER DISPENSER ASSEMBLY <b>(S/P)</b>
15	22004398	BLOCK, TUB (ATL) <b>(S/P)</b>