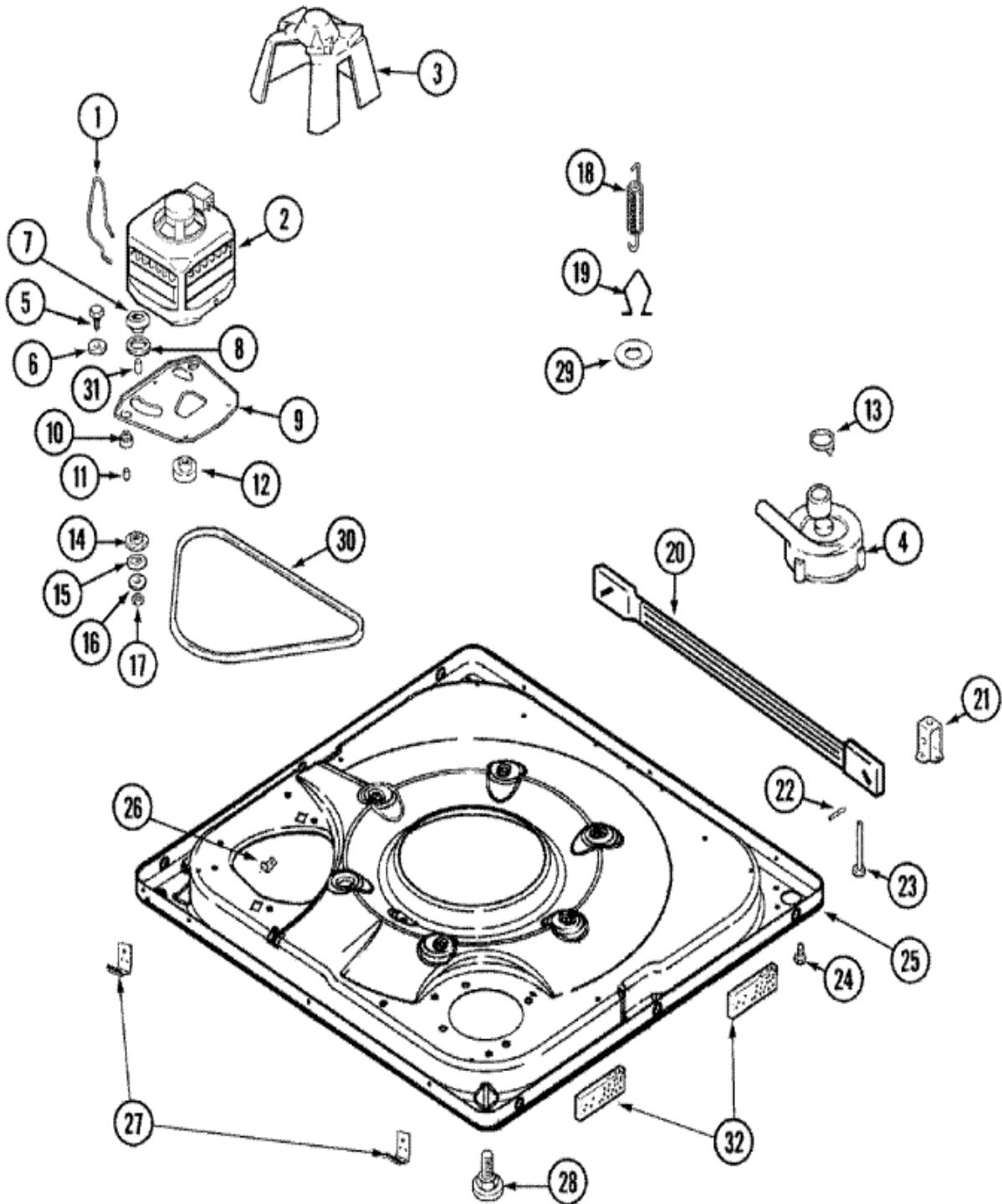


Distribuidor Autorizado

SurteRápido.com

Venta de Refacciones
Electrodomesticas

MAV9657EWQ BASE



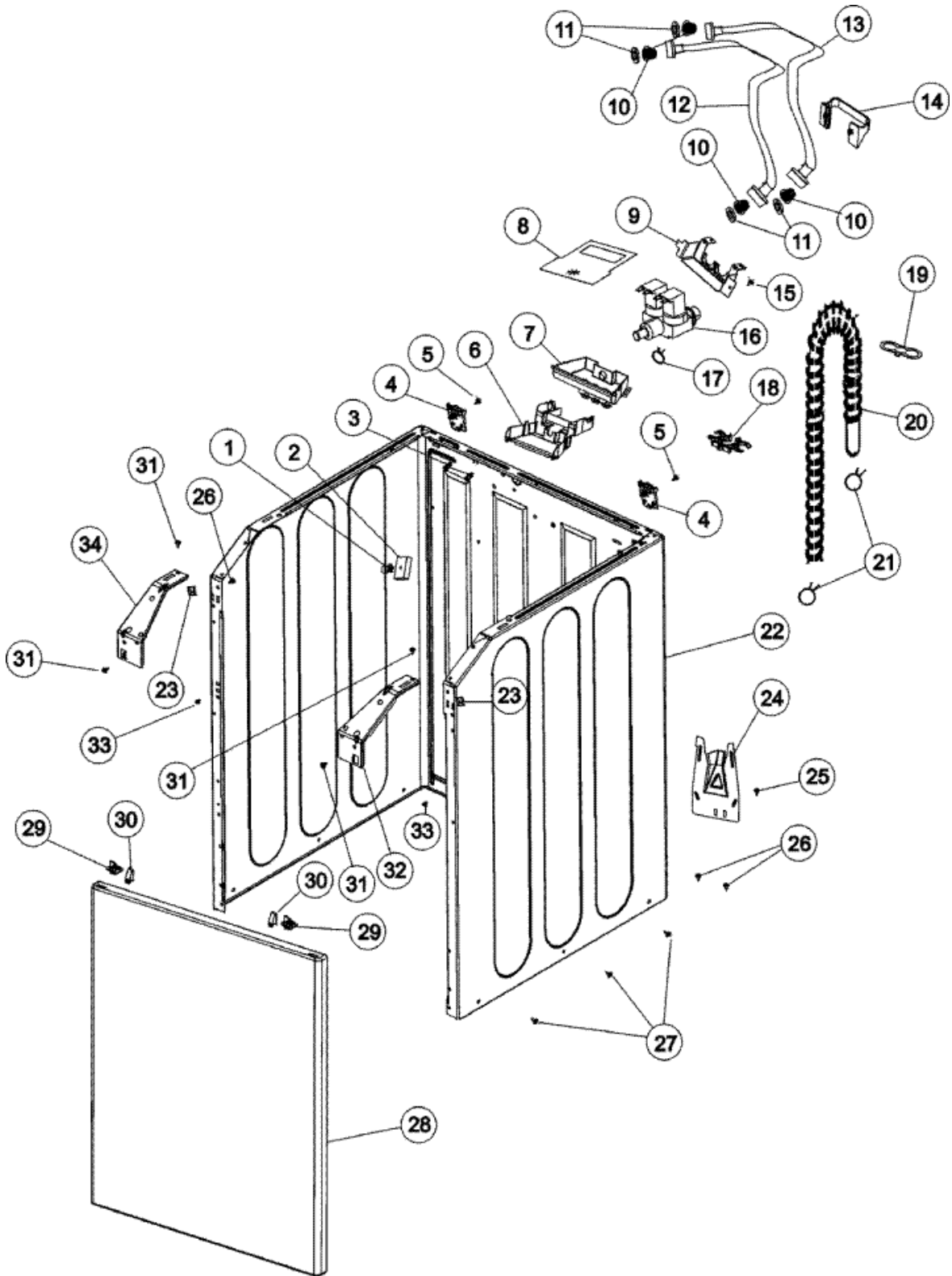


MAV9657EWQ BASE

1	22004376	SPRING, MOTOR PIVOT
2	21001950	MOTOR, 2SP 1/2HP 120/60 HI-TOR
3	22002721	SHIELD, MOTOR (S/P)
3	22002019	SCREW (S/P)
4	22004055	SCREW HEX HD PUMP TO BASE (S/P)
4	21002240	PUMP
4	22003438	SLEEVE, PUMP (ATL) (S/P)
5	25-7833	SCREW (S/P)
6	25-7834	WASHER (S/P)
7	33-9946	ISOLATOR, MOTOR
8	35-3570	WASHER, MOTOR PIVOT (S/P)
9	35-2065	PAD, MOTOR PLATE (S/P)
9	22003817	SCREW, SERRATED WASHER HEAD HX (S/P)
9	21001783	PLATE, MOTOR
10	35-3646	ISOLATOR, MOTOR PLATE (S/P)
10	22004348	SLIDE, MOTOR PIVOT (S/P)
11	25-7831	SPACER (S/P)
12	33-9946	ISOLATOR, MOTOR
13	22002853	CLAMP, HOSE (S/P)
14	35-3571	SLIDE, MOTOR PIVOT (S/P)
15	33-9967	WASHER, MOTOR ISOLATOR (S/P)
16	25-7047	WASHER, FLAT (S/P)
17	21002009	NUT, MOTOR PLATE ASY TO MOTOR (S/P)
18	21001598	SPRING, SUSPENSION
19	21001166	HOOK, SUSPENSION SPRING
20	21001881	BAR, STABILIZER
21	35-2046	BRACKET, STABILIZER
22	35-2052	PIN, STABILIZER
23	22004469	FOOT PAD ASSY. (REAR)
24	33002190	SCREW (No.10-3/8``) (S/P)
25	22003390	BASE (AS PACKED) (S/P)
25	22003817	SCREW, SERRATED WASHER HEAD HX (S/P)
25	22002781	PAD, SOUND DEFLECTOR (BASE) (S/P)

26	25-7845	SPEEDNUT (S/P)
27	22004045	CLIP, LOWER FRONT PANEL (S/P)
27	33002190	SCREW (No.10-3/8``) (S/P)
27	22002239	CLIP, LOWER FRONT PANEL (S/P)
28	35-3507	FOOT & PAD ASSY
29	Y25-7951	WASHER, SUSPENSION HOOK (S/P)
30	22003483	BELT, DRIVE
31	25-7830	SPACER
32	22002782	PAD, FOAM (SOUND DAMPENER) (S/P)

MAV9657EWQ GABINETE





MAV9657EWQ GABINETE

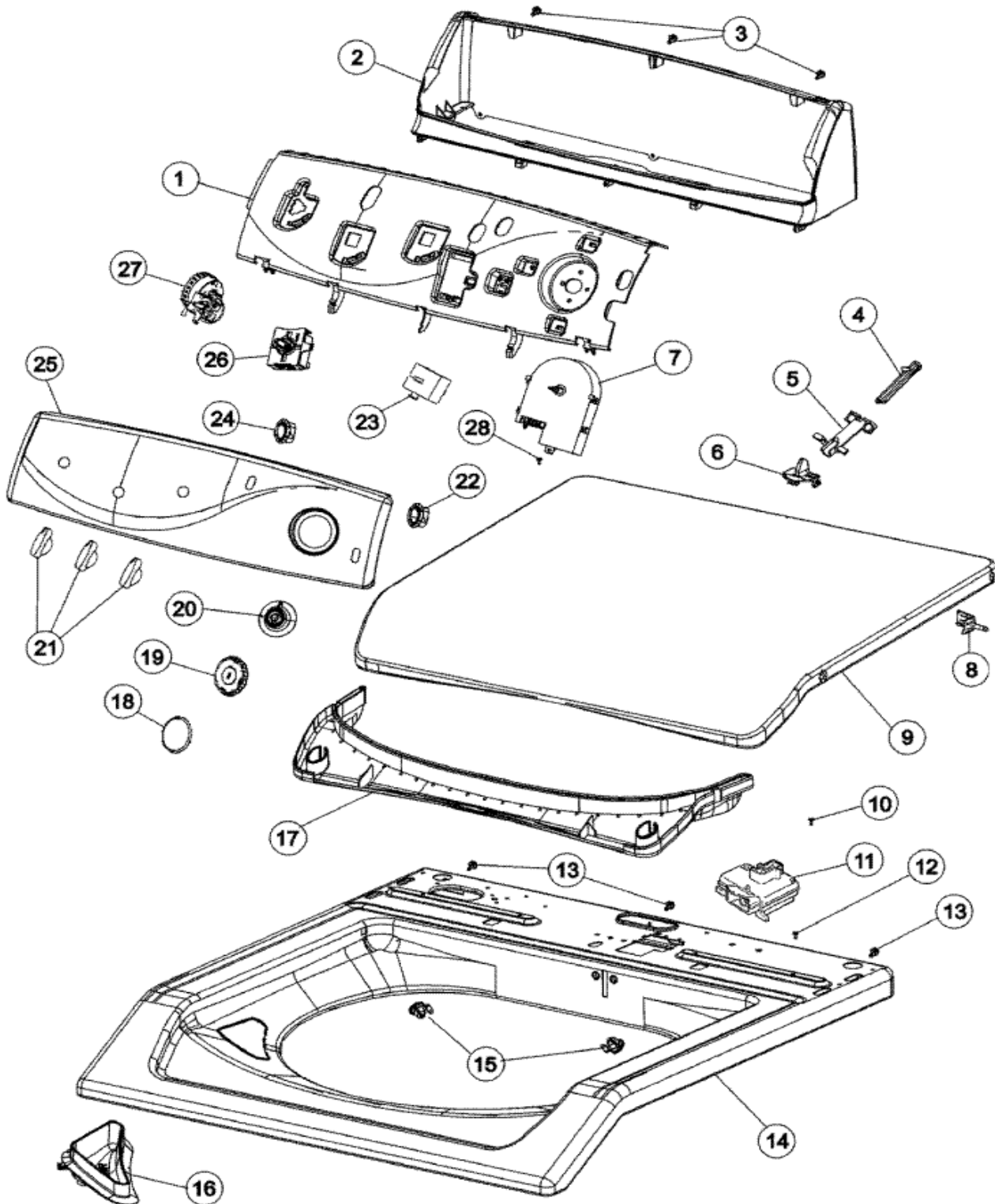
1	22003086	CLIP, AIR DOME HOSE (S/P)
2	22003461	PAD, PRESSURE SWITCH (S/P)
3	22003298	RETAINER, WIRE (S/P)
4	22004095	HINGE, PLASTIC
5	22001995	SCREW (S/P)
6	22004053	LOWER INJECTOR, FLUME (S/P)
7	22004347	UPPR INJECTOR/THERMOSTAT ASSY (S/P)
8	22004251	WATER VALVE SHIELD (S/P)
9	22003376	BRACKET, WATER VALVE (S/P)
10	22002960	STRAINER, WASHER INLET (S/P)
11	Y013783	GASKET, INLET HOSE (S/P)
12	21001316	HOSE, INLET (HOT) (S/P)
13	89503	HOSE, 4` INLET
14	22003429	RETAINER, FILL HOSE (S/P)
15	22002300	SCREW (S/P)
16	22004333	WATER VALVE 60/40
17	22002838	CLAMP, SPRING (S/P)
18	22002765	CLIP, HOSE (S/P)
19	22003814	RETAINER, DRAIN HOSE (S/P)
20	22003410	HOSE, DRAIN
21	22003596	CLAMP, HOSE (S/P)
22	22003554	CABINET ASSY. (BSQ-AS PKD) (S/P)
23	213280	FRONT PANEL BRACKET/FASTENER (S/P)
24	22002704	COVER, DRAIN HOSE (S/P)
26	33002190	SCREW (No.10-3/8``) (S/P)
28	Y22002738	PANEL, FRONT (BSQ) (S/P)
29	22002013	STOP, SHIPPING (S/P)
30	25-7220	CLIP, CABINET TOP (S/P)
32	22002839	BRACE, CABINET (RT) (S/P)
33	22002965	HOLE PLUG (S/P)
34	22002840	BRACE, CABINET (LT) (S/P)

Distribuidor Autorizado

SurteRápido.com

Venta de Refacciones
Electrodomesticas

MAV9657EWQ TABLERO

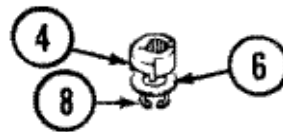
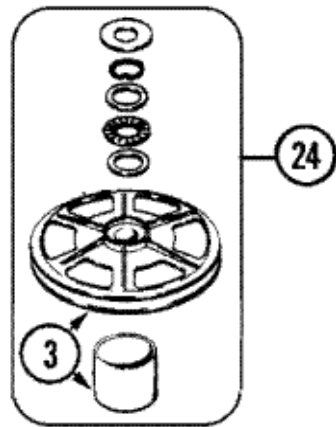
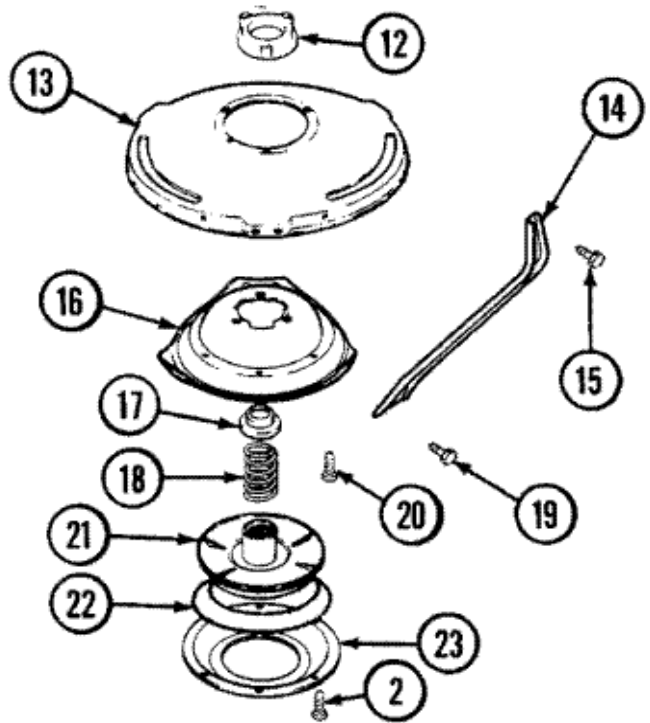
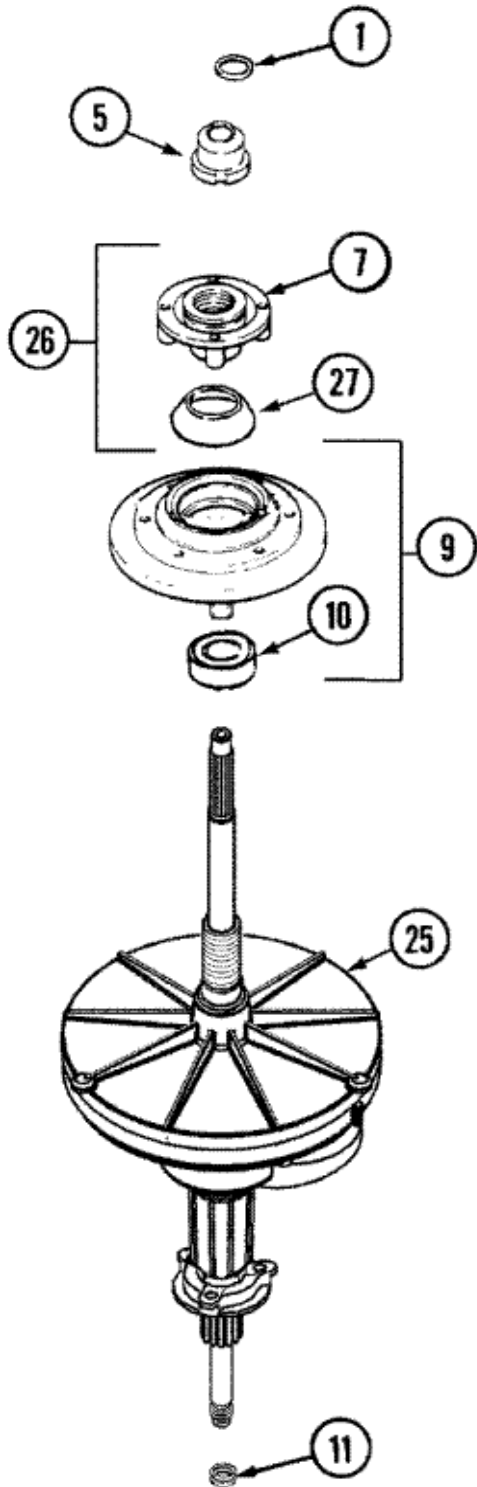




MAV9657EWQ TABLERO

1	22003955	SWITCH SUPPORT (S/P)
2	22003975	CONSOLE HOUSING (BSQ) (S/P)
3	22003938	SCREW, OVAL CTSK HD No.8 (S/P)
4	22002754	PLUNGER (S/P)
5	22002757	GUIDE TUBE (S/P)
6	22003942	LID CAM (BISQUE) (S/P)
7	22004073	TIMER (S/P)
8	22002752	HINGE PIN (BSQ) (S/P)
9	22004064	LID AS PACK PHASE III (BSQ) (S/P)
10	2016090	SCREW, LID SWITCH TO BRACKET (S/P)
11	22003804	LID SWITCH
12	22003817	SCREW, SERRATED WASHER HEAD HX (S/P)
13	22003938	SCREW, OVAL CTSK HD No.8 (S/P)
14	22003469	COVER, TOP (BSQ-ASPKD) (S/P)
15	22002753	BUSHING, HINGE (S/P)
16	22004381	BLEACH CUP (WHT) (S/P)
16	22002835	CUP, BLEACH (BSQ) (S/P)
16	22004382	BLEACH CUP (BSQ) (S/P)
17	22002766	CONDENSATE SEAL (BSQ) (S/P)
18	22003990	TIMER CAP (SS)
19	22003952	KNOB, TIMER (CMPG)
20	22004166	TIMER DIAL SKIRT (BSQ)
21	22003987	CONTROL KNOB (SS) (S/P)
22	22003982	SWITCH, MOMENTARY ROCKER (BSQ) (S/P)
23	22004201	SWITCH, SPEED-7 POSITION ROTARY (S/P)
24	22003978	SWITCH, ROCKER (BSQ) (S/P)
25	22004344	FACIA/CONTROL PANEL (BSQ) (S/P)
26	22004337	TEMP SWITCH, 4 POS. ROTARY (S/P)
27	22004072	INFINITE PRESSURE SWITCH (S/P)
28	33001855	SCREW (HEX HEAD) (S/P)

MAV9657EWQ TRANSMISION

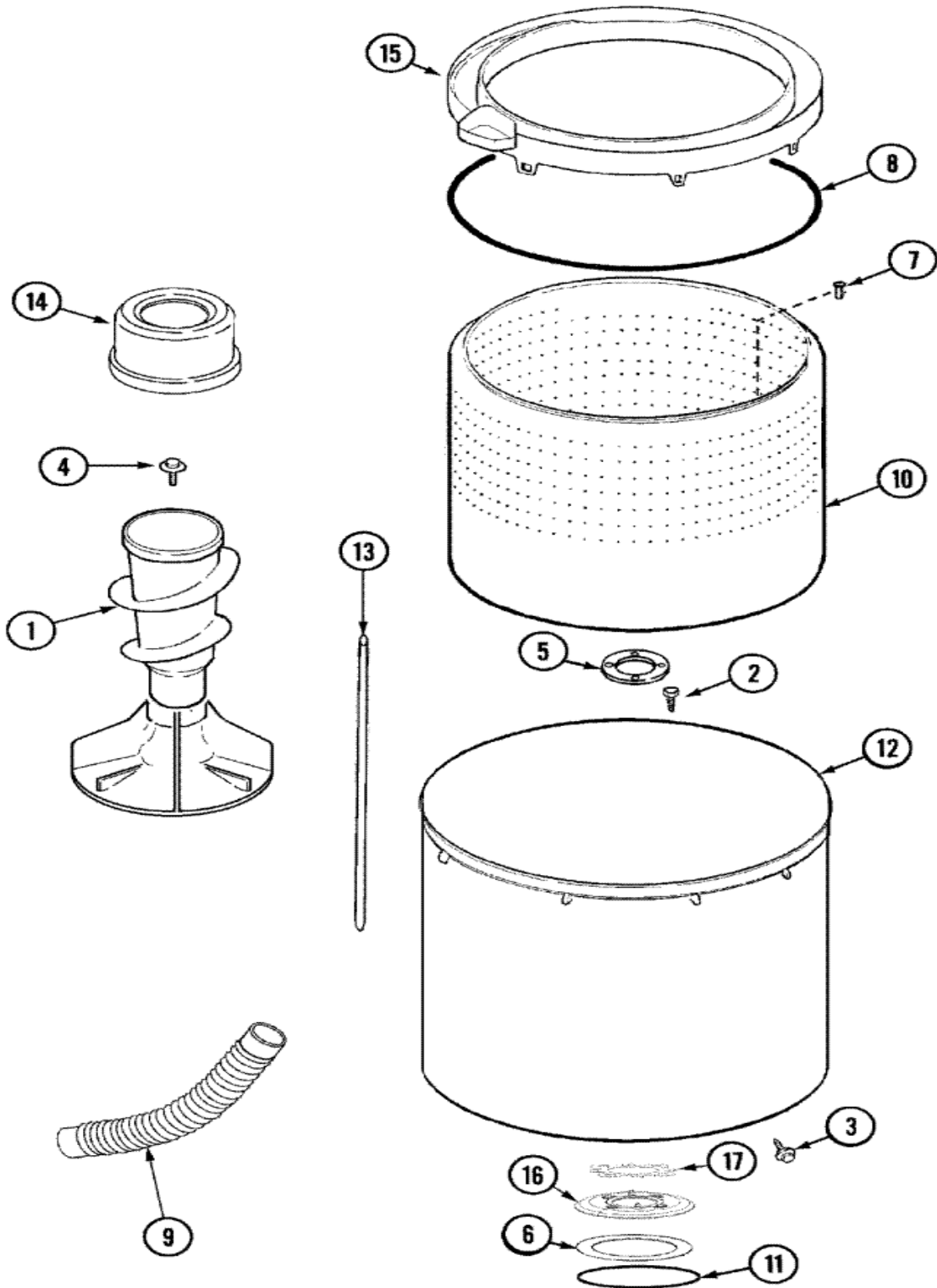




MAV9657EWQ TRANSMISION

1	25-7941	``O`` RING
2	21001065	SCREW, No.10-24X.50 HXNIBHD (S/P)
3	12002213	KIT, PULLEY & DUST CAP
4	12002213	CAM REPLACEMENT KIT
5	21001533	SEAL NUT ASSEMBLY
6	35-2132	WASHER, 1.25ODX.530IDX.032
6	35-2082	WASHER, 1.25ODX.530IDX.062
7	21002237	BASKET HUB ASSEMBLY
8	25-7854	RING, RETAINING
9	21002237	TUB SEAL ASSEMBLY
10	35-2205	BEARING, SPIN
11	33-7224N	TUB SEAL/HUB ASSY (HT TRANS)
12	35-2205	BEARING, SPIN
12	12001562	HOUSING/LWR.BEARING ASSY.
13	21001518	SUPPORT, TUB (S/P)
14	21001532	BRACE, TUB (S/P)
15	25-7895	SCREW, SUSP HSG TO LWR BRG ASY (S/P)
16	21001163	HOUSING, SUSPENSION (S/P)
17	35-2017	RETAINER, BRAKE SPRING
18	21001910	SPRING, BRAKE
19	25-7930	SCREW 5/16-18X3/4 (S/P)
20	21001509	SCREW, HIGH PERFORMANCE PLASTIC (S/P)
21	35-2948	BRAKE ROTOR & LINING ASSY
22	21002026	SNUBBER
23	35-6918	STATOR, BRAKE
24	12002213	THRUST BEARING KIT
25	21001867	TRANS. ASSY.(W/O SEAL/BEARING)
26	21002237	SEAL HUB ASSEMBLY (HT TRAN)
27	207843	SEAL, TRANSMISSION HOUSING(LIP)

MAV9657EWQ TINA





MAV9657EWQ TINA

1	22004043	AGITATOR/AUGER ASSY (AS PK) (S/P)
2	21001510	SCREW (S/P)
3	22002933	SCREW (S/P)
4	25-7948	SCREW, AGITATOR RETENTION (S/P)
5	22003434	GASKET, HUB/BOTTOM ISOLATOR (S/P)
6	35-3686	GASKET, TUB TO HOUSING (S/P)
7	22003647	BOLT, SHOULDER, THREAD CUTTING(S/P)
8	35-2328	SEAL, TUB TOP
9	22003285	HOSE, TUB TO PUMP
10	22003431	WASHER, STAINLESS STEEL FLAT (S/P)
10	22003459	SPINNER TOP (S/P)
11	35-3685	GASKET, BASKET TO CENTERPOST (S/P)
12	22002742	TUB, OUTER (S/P)
13	22003422	AIR DOME HOSE (S/P)
14	22003985	SOFTENER DISPENSER ASSEMBLY (S/P)
15	12002452	TUB COVER/BLEACH CUP KIT (S/P)
15	22004385	TUB COVER ASSY - AS PACK (S/P)
16	22003433	RING, INSULATING BOTTOM (S/P)
17	22003595	GASKET, ISOLATOR (FOAM) (S/P)
18	22004398	BLOCK, TUB (ATL) (S/P)