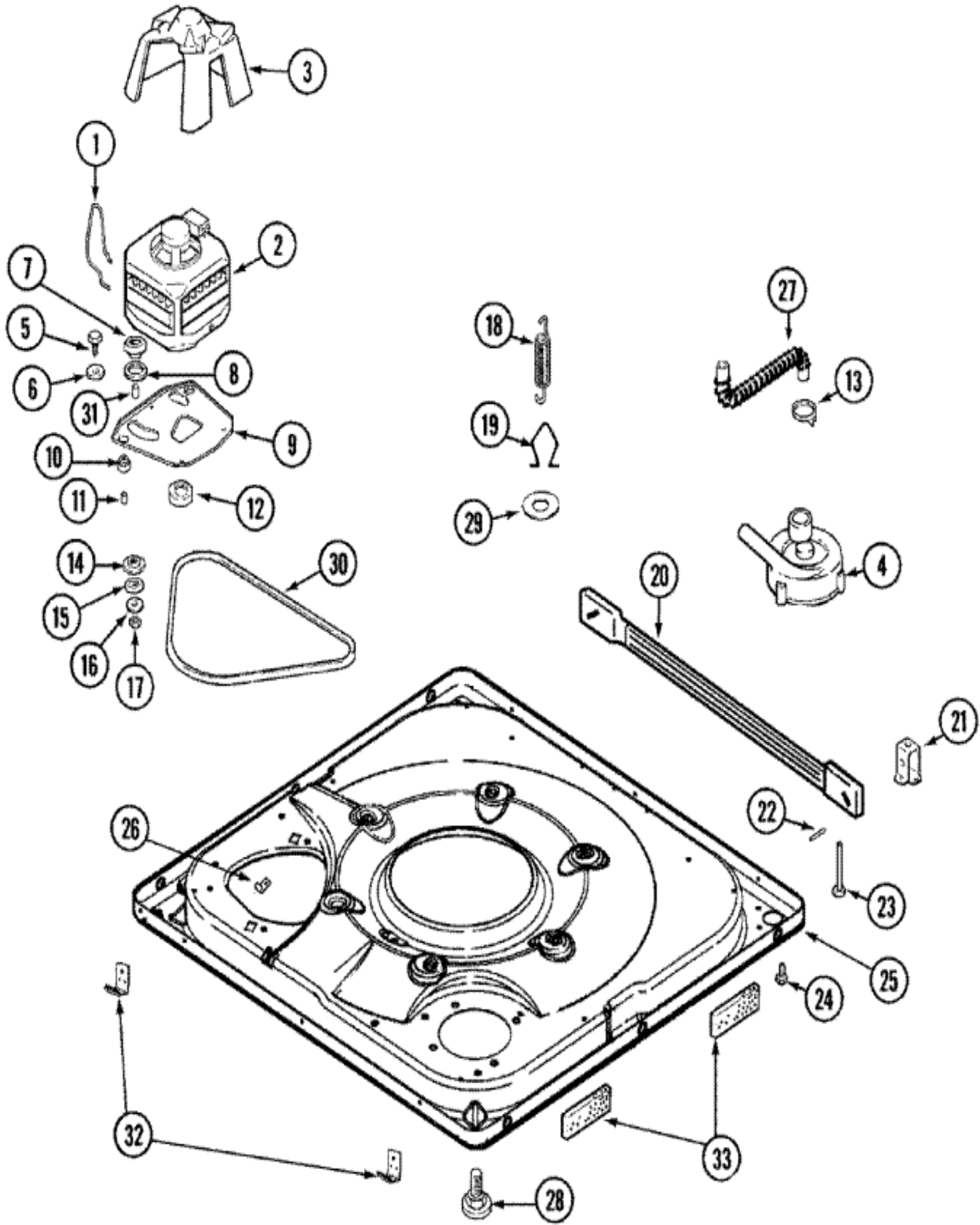


Distribuidor Autorizado

SurteRápido.com

Venta de Refacciones
Electrodomesticas

MAVT634AWW BASE





MAVT634AWW BASE

1	22004376	SPRING, MOTOR PIVOT
2	21001950	MOTOR (120V 60HZ 2SP)
3	22002019	SCREW (S/P)
3	22002721	SHIELD, MOTOR (S/P)
4	22003438	SLEEVE, PUMP (ATL) (S/P)
4	22004055	SCREW HEX HD PUMP TO BASE (S/P)
4	21002240	PUMP
5	25-7833	SCREW (S/P)
6	25-7834	WASHER (S/P)
7	33-9946	ISOLATOR, MOTOR
8	35-3570	WASHER, MOTOR PIVOT (S/P)
9	35-2065	PAD, MOTOR PLATE (S/P)
9	21001783	PLATE, MOTOR
10	35-3571	SLIDE, MOTOR PIVOT (S/P)
10	22004348	SLIDE, MOTOR PIVOT (S/P)
10	35-3646	ISOLATOR, MOTOR PLATE (S/P)
11	25-7831	SPACER (S/P)
12	3988894	PULLEY
13	22003897	HOSE CLAMP (S/P)
14	35-3571	SLIDE, MOTOR PIVOT (S/P)
15	33-9967	WASHER, MOTOR ISOLATOR (S/P)
16	25-7047	WASHER, FLAT (S/P)
17	21002009	NUT, MOTOR PLATE ASY TO MOTOR (S/P)
18	21001598	SPRING, SUSPENSION
19	21001166	HOOK, SUSPENSION SPRING
20	21001881	BAR, STABILIZER
21	35-2046	BRACKET, STABILIZER
23	22004469	FOOT PAD ASSY. (REAR)
24	33002190	SCREW (No.10-3/8``) (S/P)
25	22003390	BASE (AS PACKED) (S/P)
26	25-7845	SPEEDNUT (S/P)
27	22003285	HOSE, TUB TO PUMP
28	25001119	FOOT & PAD ASSEMBLY (S/P)

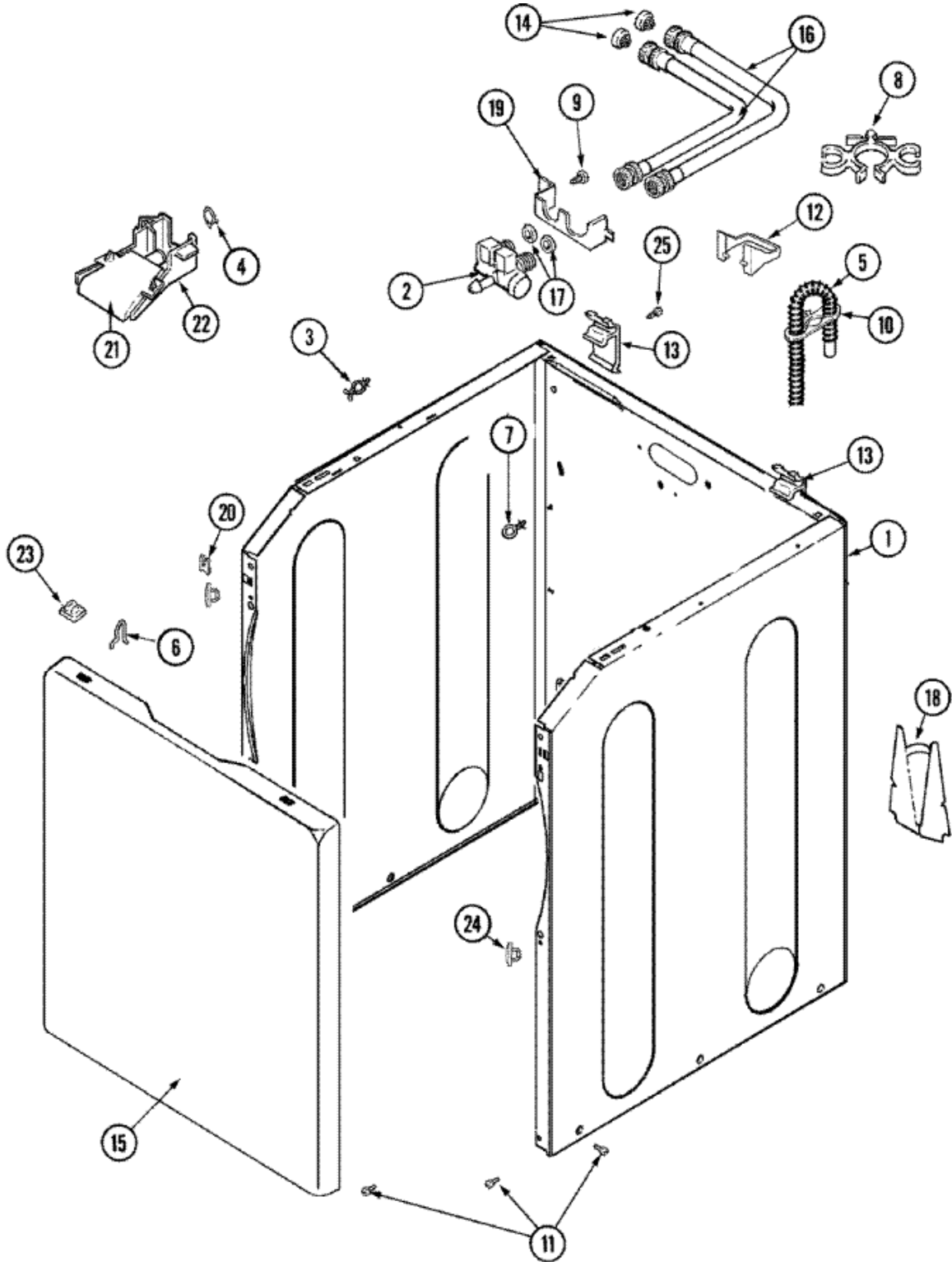
29	Y25-7951	WASHER, SUSPENSION HOOK (S/P)
30	22003483	BELT, DRIVE
31	25-7830	SPACER
32	22004045	CLIP, LOWER FRONT PANEL (S/P)
32	22002966	U-NUTS, TINNEMAN (FRT PNL) (S/P)
32	33002190	SCREW (No.10-3/8``) (S/P)
33	22002782	PAD, FOAM (SOUND DAMPENER) (S/P)

Distribuidor Autorizado

SurteRápido.com

Venta de Refacciones
Electrodomesticas

MAVT634AWW GABINETE



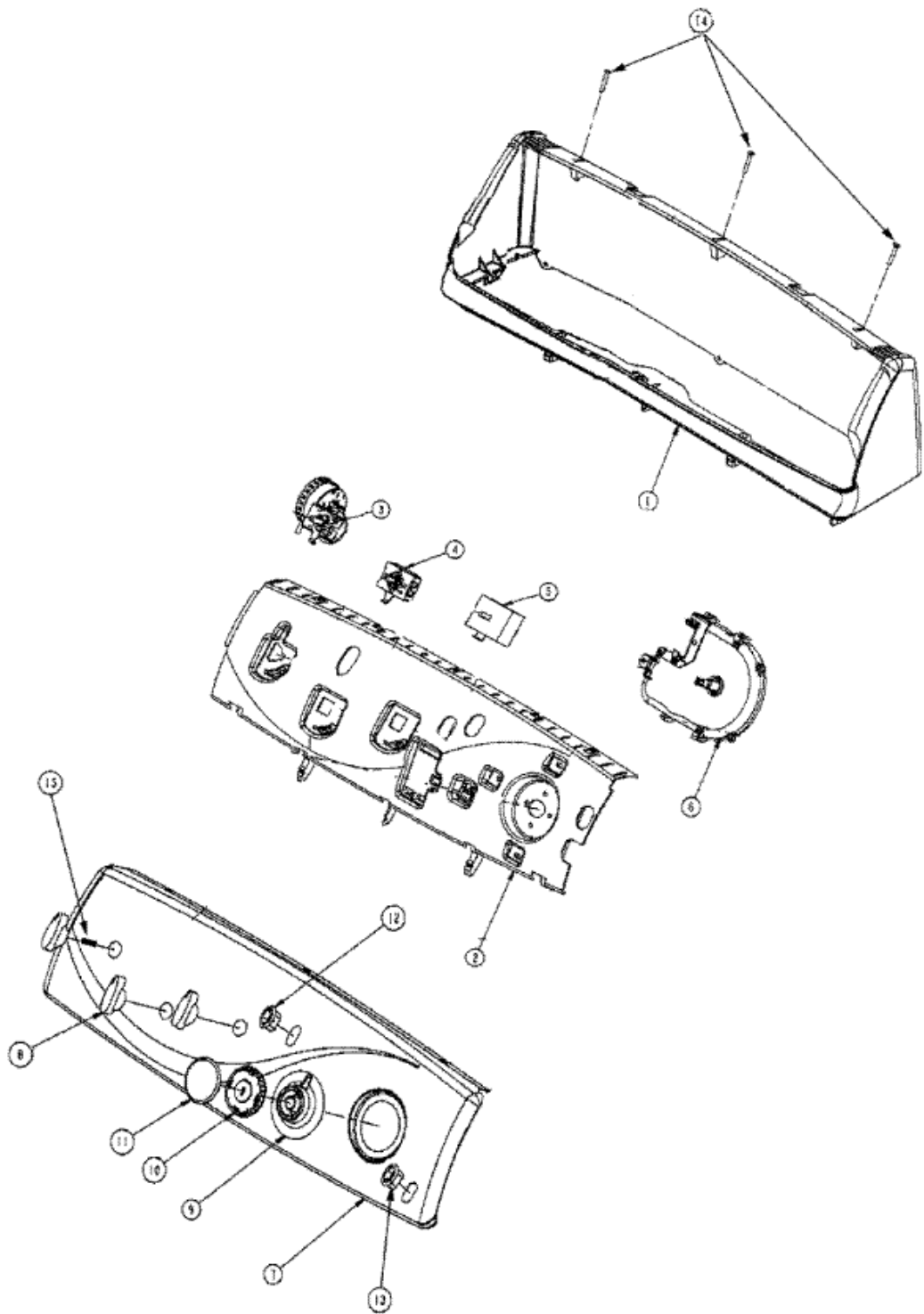


MAVT634AWW GABINETE

1	33002190	SCREW (No.10-3/8``) (S/P)
1	22003553	CABINET ASSY. (WHT-AS PKD) (S/P)
1	22002840	BRACE, CABINET (LT) (S/P)
1	22002839	BRACE, CABINET (RT) (S/P)
2	22004333	VALVE, WATER
2	22003384	VALVE, WATER (S/P)
3	22003298	RETAINER, WIRE (S/P)
4	22002838	CLAMP, SPRING (S/P)
5	22003410	HOSE, DRAIN
5	22003596	CLAMP, HOSE (S/P)
6	25-7220	CLIP, CABINET TOP (S/P)
7	22003086	CLIP, AIR DOME HOSE (S/P)
8	22002765	CLIP, HOSE (S/P)
9	22003735	SCREW, No.10-16X1/2 AB TRUSS (S/P)
10	22003814	RETAINER, DRAIN HOSE (S/P)
11	22003409	DESCONTINUADO
12	22003429	RETAINER, FILL HOSE (S/P)
13	22004095	HINGE, PLASTIC
14	12001413	SCREEN WASHER, INLET HOSE (S/P)
15	33002190	SCREW (No.10-3/8``) (S/P)
15	22002737	PANEL, FRONT (WHT) (S/P)
15	22003511	INSULATION (S/P)
15	22003512	INSULATION, CABINET (S/P)
16	35-3401	HOSE, INLET (HOT) (S/P)
16	89503	HOSE, 4` INLET
17	Y013783	GASKET, INLET HOSE (S/P)
18	33002190	SCREW (No.10-3/8``) (S/P)
18	22002704	COVER, DRAIN HOSE (S/P)
19	22003376	BRACKET, WATER VALVE (S/P)
20	213280	FRONT PANEL BRACKET/FASTENER (S/P)
21	22003374	UPPER WATER INJECTOR, FLUME (S/P)
21	22004053	LOWER INJECTOR, FLUME (S/P)
22	22003374	UPPER WATER INJECTOR, FLUME (S/P)

23	22002013	STOP, SHIPPING (S/P)
24	Y12001702	HOLE PLUG (S/P)
25	22001995	SCREW (S/P)
26	33001245	DESCONTINUADO
26	35-2890	CABLE TIE (S/P)
26	33002388	WASHER (HDWR PKG) (S/P)
26	22002960	STRAINER, WASHER INLET (S/P)
26	Y013783	GASKET, INLET HOSE (S/P)

MAVT634AWW TABLERO

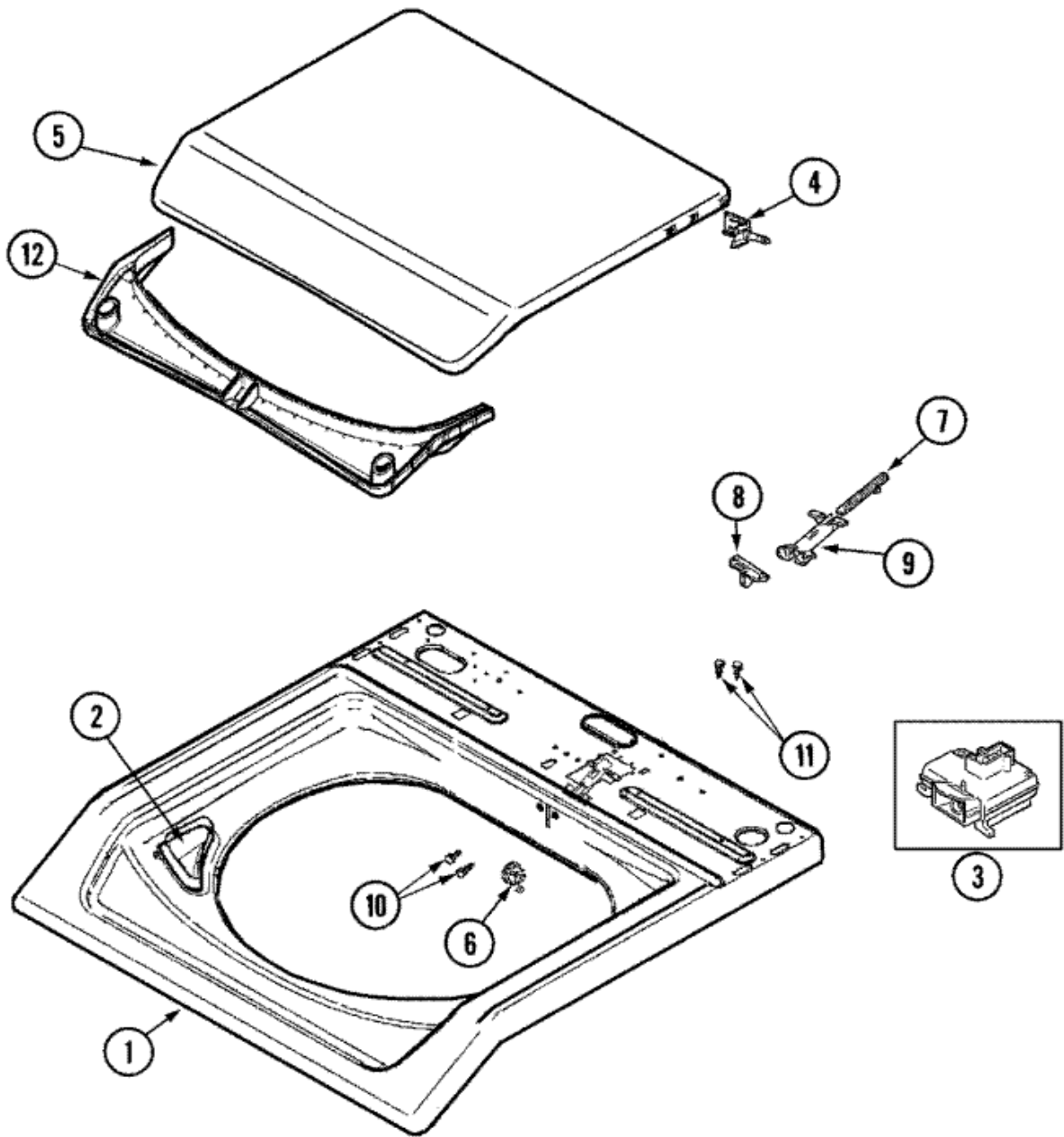




MAVT634AWW TABLERO

1	22003960	CONSOLE HOUSING (WHT) (S/P)
2	22003955	SWITCH SUPPORT (S/P)
3	22003962	4 POSITION PRESSURE SWITCH (S/P)
3	22004188	SWITCH, 4 POSITION PRESSURE (S/P)
4	22003961	4 POSITION ROTARY TEMP SWITCH5 (S/P)
5	22004006	3 POSITION ROTARY SPEED SWITCH (S/P)
6	22004189	TIMER
6	Y22004007	TIMER (S/P)
7	22004017	FACIA, CONTROL PANEL (S/P)
8	22003987	CONTROL KNOB (CHROME) WHT (S/P)
9	22004165	TIMER DIAL SKIRT (WHT)
10	22003993	TIMER KNOB (BLUE) (WHT)
11	22003989	TIMER CAP (CHROME) WHT
12	74010226	SWITCH, ROCKER (WHT) (S/P)
13	22003981	SWITCH, MOMENTARY ROCKER (WHT) (S/P)
14	22003938	SCREW, OVAL CTSK HD No.8 (S/P)
15	22004050	DESCONTINUADO

MAVT634AWW TAPA

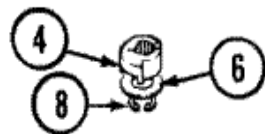
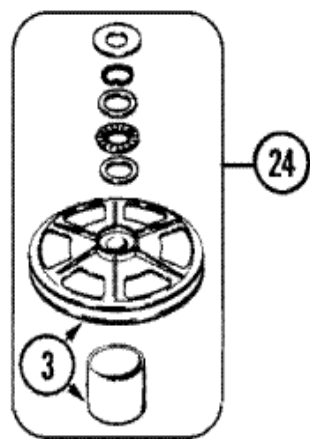
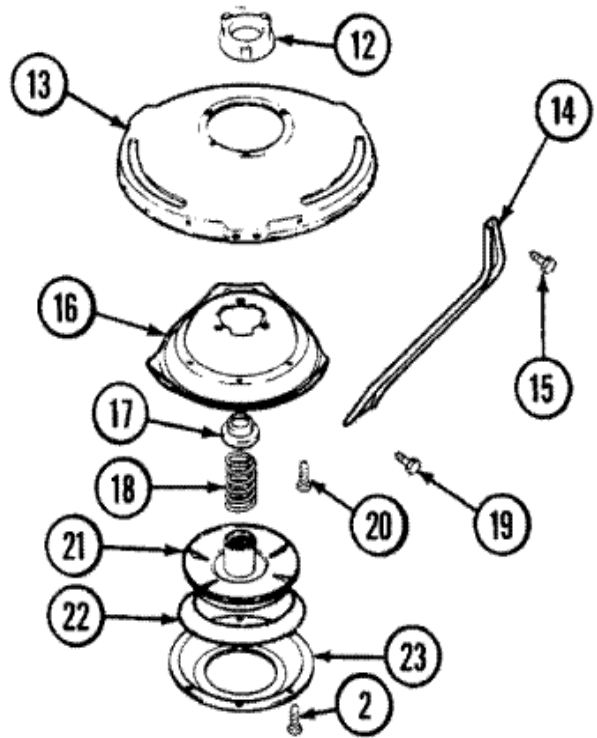
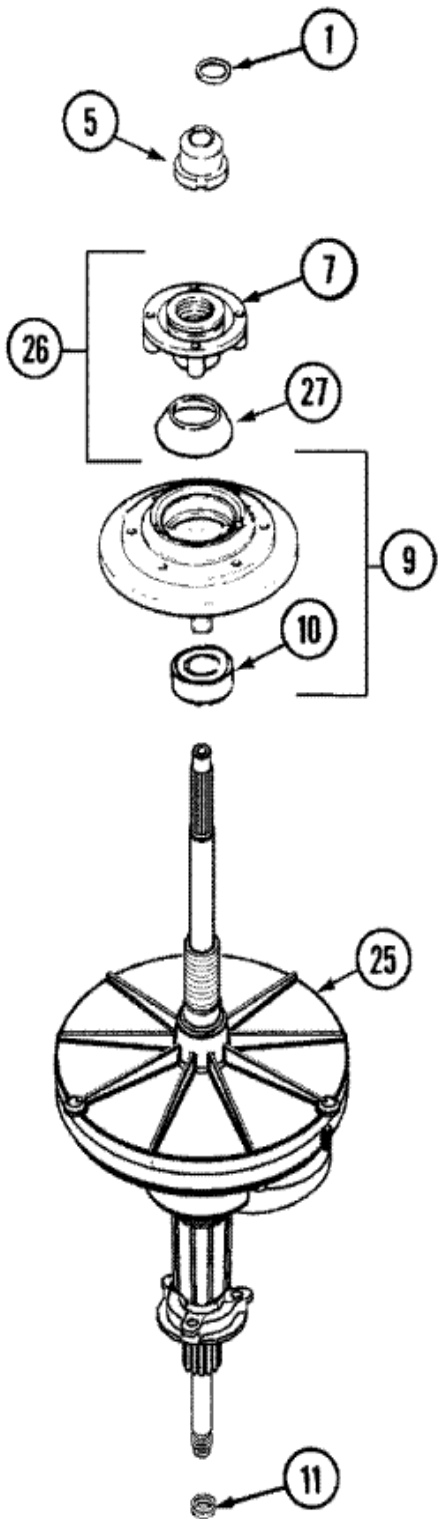




MAVT634AWW TAPA

1	22003468	COVER, TOP (WHT-ASPKD) (S/P)
2	22002835	CUP, BLEACH (WHT) (S/P)
2	22004381	BLEACH CUP (WHT) (S/P)
3	22003804	LID SWITCH
4	22002751	HINGE PIN (WHT) (S/P)
5	22004063	LID AS PACK PHASE III (WHT) (S/P)
6	22002753	BUSHING, HINGE (S/P)
7	22002754	PLUNGER (S/P)
8	22003941	LID CAM (WHITE)
9	22002757	GUIDE TUBE (S/P)
10	2016090	SCREW, LID SWITCH TO BRACKET (S/P)
11	Y705026	SCREW (S/P)
12	22002967	CONDENSATE SEAL (WHT) (S/P)

MAVT634AWW TRANSMISION

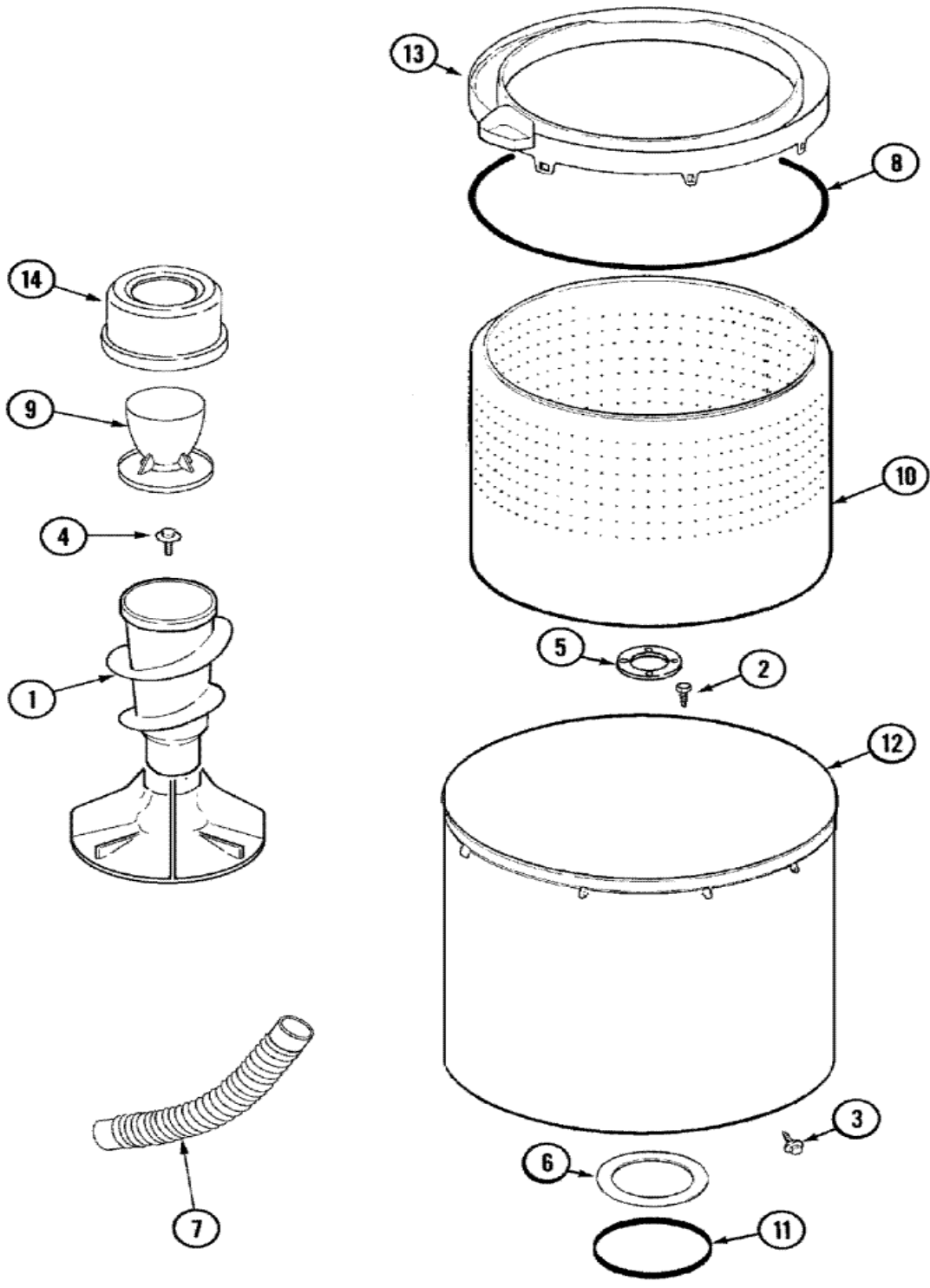




MAVT634AWW TRANSMISION

1	25-7941	``O`` RING
2	21001065	SCREW, No.10-24X.50 HXNIBHD (S/P)
3	12002213	KIT, PULLEY & DUST CAP
4	12002213	CAM REPLACEMENT KIT
5	21001533	SEAL NUT ASSEMBLY
6	35-2132	WASHER, 1.25ODX.530IDX.032
6	35-2082	WASHER, 1.25ODX.530IDX.062
7	21002237	BASKET HUB ASSEMBLY
8	25-7854	RING, RETAINING
9	21002237	TUB SEAL ASSEMBLY
10	35-2205	BEARING, SPIN
11	207843	SEAL, TRANSMISSION HOUSING(LIP)
12	35-2205	BEARING, SPIN
12	12001562	HOUSING/LWR.BEARING ASSY.
13	21001518	SUPPORT, TUB (S/P)
14	21001532	BRACE, TUB (S/P)
15	25-7895	SCREW, SUSP HSG TO LWR BRG ASY (S/P)
16	21001163	HOUSING, SUSPENSION (S/P)
17	35-2017	RETAINER, BRAKE SPRING
18	21001910	SPRING, BRAKE
19	25-7930	SCREW 5/16-18X3/4 (S/P)
20	21001509	SCREW, HIGH PERFORMANCE PLASTIC (S/P)
21	35-2948	BRAKE ROTOR & LINING ASSY
22	21002026	SNUBBER
23	35-6918	STATOR, BRAKE
24	12002213	THRUST BEARING KIT
25	21001867	HT TRANS/SEAL HUB ASSEMBLY
26	21002237	SEAL HUB ASSEMBLY (HT TRAN)
27	33-7224N	TUB SEAL/HUB ASSY (HT TRANS)

MAVT634AWW TINA





MAVT634AWW TINA

1	22004042	AGITATOR/AUGER ASSY (AS PK)
2	21001510	SCREW (S/P)
3	22002933	SCREW (S/P)
4	25-7948	SCREW, AGITATOR RETENTION (S/P)
5	35-3685	GASKET, BASKET TO CENTERPOST (S/P)
6	35-3686	GASKET, TUB TO HOUSING (S/P)
7	22003285	HOSE, TUB TO PUMP
8	35-2328	SEAL, TUB TOP
9	21001905	DISPENSER, FABRIC (ONE PIECE)
9	22003984	SOFTENER DISPENSER ASSEMBLY (S/P)
10	22002741	SPINNER ASSEMBLY, PLASTIC (S/P)
11	35-2979	GASKET, TUB/HSG (SEAL) (S/P)
12	22003422	AIR DOME HOSE (S/P)
12	22002742	TUB, OUTER (S/P)
13	12002452	TUB COVER/BLEACH CUP KIT (S/P)
13	22004385	TUB COVER ASSY. (TUB TOP) (S/P)
14	22004398	BLOCK, TUB (ATL) (S/P)